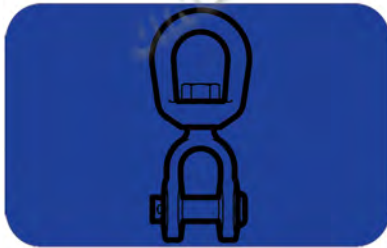


JINGCHENG

2022
FORGING

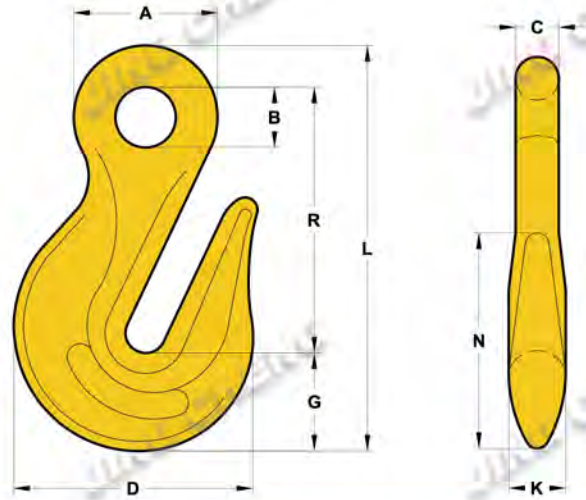
HOOKS & SWIVELS



Qingdao Jingcheng Forging Co., Ltd

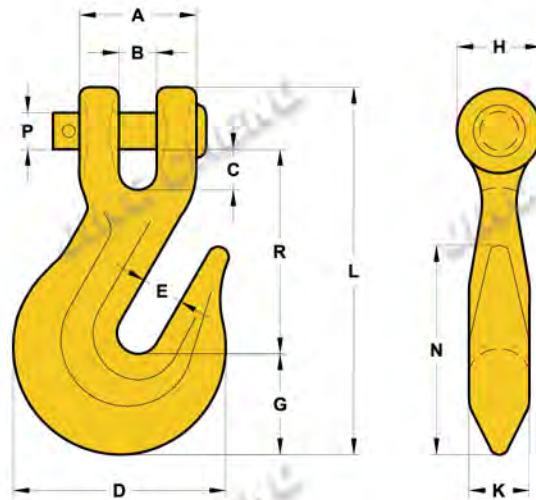
www.qdjcforging.com

US TYPE EYE GRAB HOOK



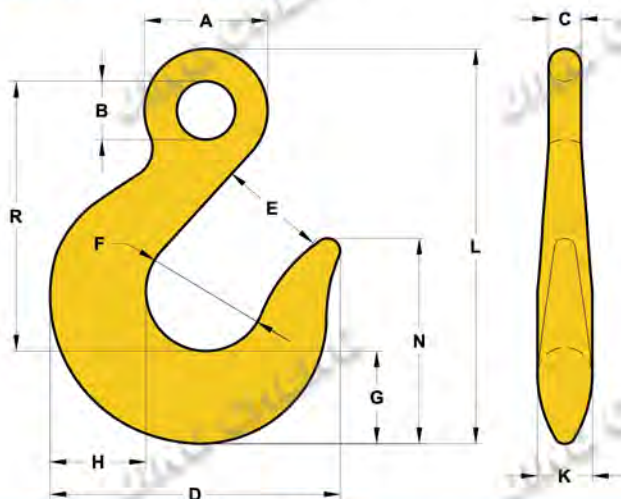
Item No.	Chain Size (in.)	Working Load Limit (lbs.)		Weight Each (lbs.)	Dimensions (in.)									
		Carbon (G43)	Alloy (G70)		A	B	C	D	E	G	K	L	N	R
JCH001	1/4	2600	3500	0.28	1.09	0.53	0.31	1.81	0.34	0.88	0.47	3.05	1.75	1.88
JCH002	5/16	3900	4700	0.45	1.31	0.62	0.38	2.12	0.44	0.97	0.59	3.59	2.06	2.28
JCH003	3/8	5400	7100	0.79	1.56	0.75	0.44	2.53	0.50	1.17	0.72	4.28	2.34	2.69
JCH004	1/2	9200	12000	1.75	1.94	0.88	0.53	3.56	0.66	1.53	0.78	5.44	2.97	3.38
JCH005	5/8	13000	18100	3.25	2.38	1.06	0.66	4.41	0.78	1.89	1.00	6.66	3.78	4.11
JCH006	3/4	20200	24700	5.95	2.88	1.38	0.75	5.22	0.94	2.13	1.31	8.06	5.09	5.16

US TYPE CLEVIS HOOK



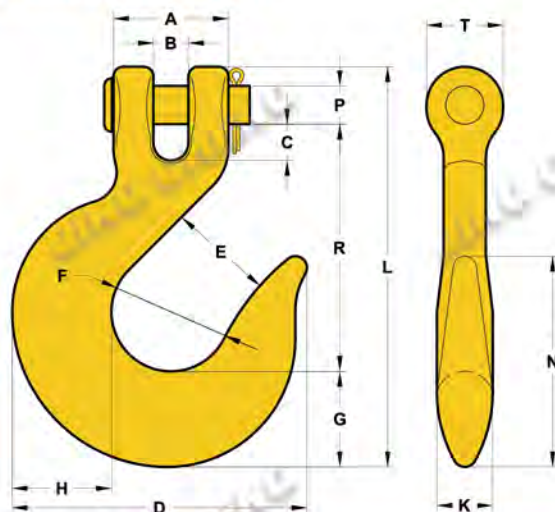
Item No.	Chain Size (in.)	Working Load Limit (lbs.)		Weight Each (lbs.)	Dimensions (in.)											
		Carbon (G43)	Alloy (G70)		A	B	C	D	E	G	H	K	L	N	P	R
JCH007	1/4	2600	3500	0.36	1.00	0.32	0.31	1.81	0.34	0.88	0.72	0.47	3.05	1.75	0.31	1.64
JCH008	5/16	3900	4700	0.62	1.22	0.43	0.36	2.12	0.44	0.97	0.91	0.59	3.66	2.06	0.38	2.02
JCH009	3/8	5400	7100	1.00	1.42	0.48	0.49	2.53	0.50	1.17	1.00	0.72	4.42	2.34	0.44	2.41
JCH010	7/16	7200	8750	1.31	1.66	0.66	0.62	3.09	0.56	1.31	1.13	0.69	4.94	2.66	0.56	2.75
JCH011	1/2	9200	12000	2.22	1.88	0.57	0.51	3.56	0.66	1.53	1.25	0.78	5.72	2.97	0.63	3.19
JCH012	5/8	13000	18100	4.41	2.31	0.71	0.67	4.39	0.78	1.78	1.56	1.09	6.83	4.31	0.75	4.09
JCH013	3/4	20200	24700	6.50	2.62	0.94	0.94	5.22	0.94	2.13	1.88	1.31	8.13	5.09	0.88	4.63

US TYPE EYE SLIP HOOK WITH OR WITHOUT LATCH

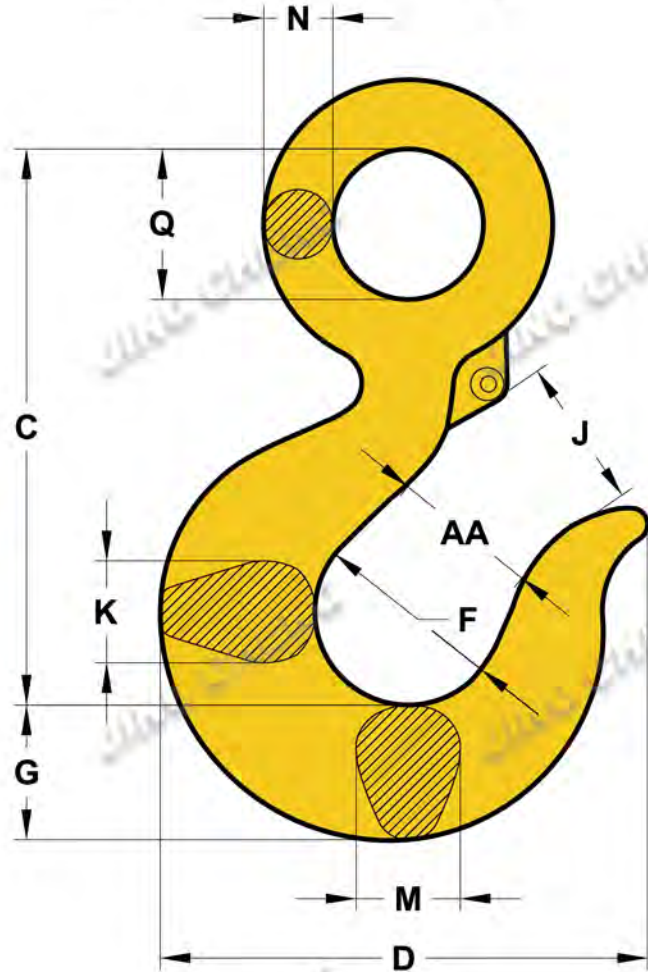


Item No.	Chain Size (in.)	Working Load Limit (lbs.)		Weight Each (lbs.)	Dimensions (in.)												
		Carbon (G43)	Alloy (G70)		A	B	C	D	E	F	G	H	K	L	N	R	
JCH014	1/4	1950	2750	0.40	1.06	0.50	0.28	2.75	0.94	1.19	0.81	0.88	0.50	3.66	2.13	2.56	
JCH015	5/16	2875	4300	0.64	1.25	0.63	0.34	3.06	1.06	1.25	0.94	1.00	0.56	4.23	2.25	2.95	
JCH016	3/8	4000	5250	1.10	1.53	0.72	0.41	3.63	1.31	1.50	1.13	1.19	0.66	4.89	2.56	3.36	
JCH017	7/16	5000	7000	1.56	1.69	0.81	0.44	4.34	1.56	1.81	1.38	1.44	0.81	5.70	3.06	3.88	
JCH018	1/2	6500	9000	2.09	1.94	0.94	0.50	4.81	1.69	1.94	1.56	1.63	0.91	6.34	3.44	4.28	
JCH019	5/8	9250	13500	3.90	2.38	1.13	0.63	5.63	2.00	2.38	1.81	1.94	1.09	7.86	4.00	5.22	
JCH020	3/4	12500	19250	6.93	2.88	1.38	0.75	6.75	2.13	2.75	2.19	2.31	1.31	8.73	4.75	5.80	

US TYPE CLEVIS SLIP HOOK WITH OR WITHOUT LATCH

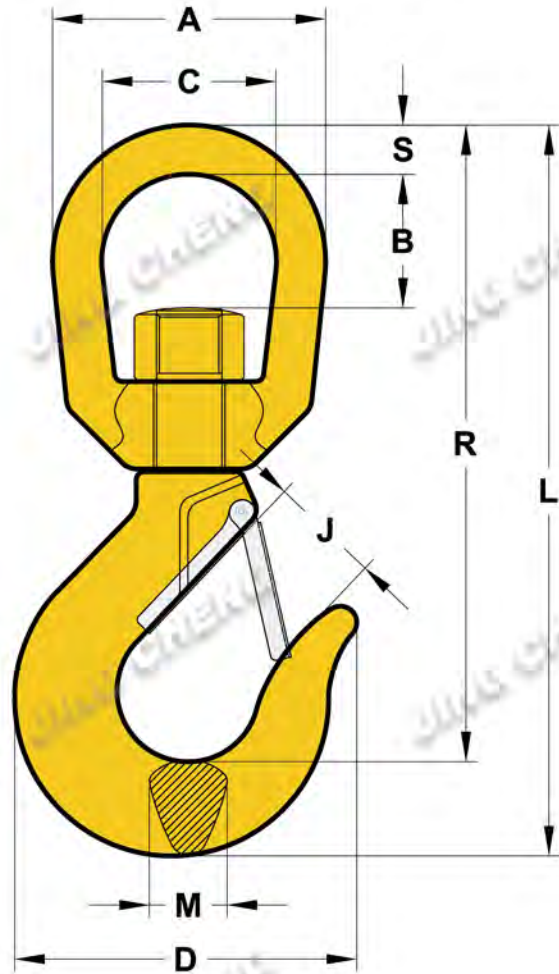


Item No.	Chain Size (in.)	Working Load Limit (lbs.)		Weight Each (lbs.)	Dimensions (in.)													
		Carbon (G43)	Alloy (G70)		A	B	C	D	E	F	G	H	K	L	N	P	R	T
JCH021	1/4	1950	2750	0.55	1.06	0.32	0.29	2.75	0.94	0.88	0.81	0.88	0.50	3.95	2.13	0.31	2.58	0.81
JCH022	5/16	2875	4300	0.79	1.22	0.43	0.34	3.06	1.06	0.97	0.94	1.00	0.56	4.52	2.25	0.38	2.87	0.97
JCH023	3/8	4000	5250	1.21	1.38	0.48	0.44	3.63	1.31	1.17	1.13	1.19	0.66	5.15	2.56	0.44	3.25	1.06
JCH024	7/16	5000	7000	2.06	1.73	0.66	0.60	4.34	1.56	1.31	1.38	1.44	0.81	5.97	3.06	0.56	3.70	1.19
JCH025	1/2	6500	9000	2.75	1.88	0.57	0.53	4.81	1.69	1.53	1.56	1.63	0.91	6.53	3.44	0.63	4.00	1.31
JCH026	5/8	9250	13500	4.75	2.31	0.71	0.71	5.63	2.00	1.78	1.81	1.94	1.09	7.89	4.00	0.75	4.94	1.56
JCH027	3/4	-	19250	11.28	3.19	0.94	1.29	7.38	2.50	2.13	2.38	2.50	1.44	10.0	5.06	1.00	6.09	2.09



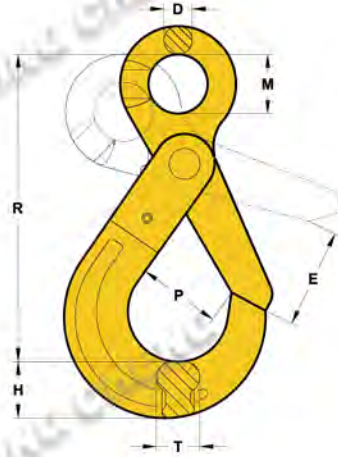
Item No.	Working Load Limit (t)		Weight Each (lbs.)	Dimensions (in.)									
	Carbon	Alloy		C	D	F	G	J	K	M	N	Q	AA
JCH028	3/4	1	0.61	3.34	2.83	1.25	0.73	0.90	0.63	0.63	0.36	0.75	1.50
JCH029	1	1-1/2	0.89	3.81	3.11	1.38	0.84	0.93	0.71	0.71	0.42	0.91	2.00
JCH030	1-1/2	2	1.44	4.14	3.53	1.50	1.00	1.00	0.88	0.88	0.55	1.13	2.00
JCH031	2	3	2.07	4.69	3.97	1.63	1.13	1.13	0.94	0.94	0.58	1.25	2.00
JCH032	3	5	4.30	5.77	4.81	2.00	1.44	1.47	1.31	1.31	0.72	1.56	2.50
JCH033	5	7	8.30	7.37	6.27	2.50	1.81	1.75	1.66	1.66	0.90	2.00	3.00
JCH034	7-1/2	11	15.00	9.07	7.45	3.00	2.25	2.29	1.88	1.63	1.11	2.44	4.00
JCH035	10	15	20.77	10.08	8.30	3.25	2.59	2.50	2.19	1.94	1.27	2.84	4.00
JCH036	15	22	39.50	12.53	10.30	4.25	3.00	3.30	2.69	2.38	1.56	3.50	5.00
JCH037	20	30	60.00	14.06	13.62	5.00	3.62	4.00	3.00	3.00	1.75	3.50	6.50
JCH038	25	37	105.00	18.19	14.06	5.38	4.56	4.25	3.75	3.19	2.00	4.50	7.00
JCH039	30	45	148.00	20.12	15.44	6.00	5.06	4.75	4.50	3.25	2.18	4.94	8.00
JCH040	40	60	228.00	23.72	18.50	7.00	6.00	5.75	5.50	3.91	2.53	5.69	10.00

US TYPE SWIVEL HOOK WITH LATCH OR WITHOUT LATCH



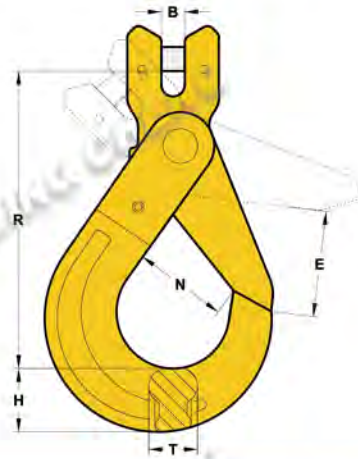
Item No.	Working Load Limit (t)		Weight Each (lbs.)	Dimensions (in.)								
	Carbon	Alloy		A	B	C	D	J	L	M	R	S
JCH041	3/4	1	0.75	2.00	0.82	1.25	2.86	0.93	5.66	0.63	4.55	0.38
JCH042	1	1-1/2	1.25	2.50	1.31	1.50	3.15	0.97	6.71	0.71	5.37	0.50
JCH043	1-1/2	2	2.25	3.00	1.50	1.75	3.56	1.06	7.75	0.88	6.12	0.63
JCH044	2	3	2.30	3.00	1.50	1.75	4.00	1.19	8.25	0.94	6.50	0.63
JCH045	3	5	4.96	3.50	1.64	2.00	4.84	1.50	9.69	1.13	7.50	0.75
JCH046	5	7	10.29	4.56	2.29	2.50	6.28	1.78	12.47	1.44	9.63	1.00
JCH047	7-1/2	11	19.40	5.00	2.44	2.75	7.54	2.41	14.75	1.63	11.37	1.13
JCH048	10	15	23.25	5.62	2.48	3.12	8.34	2.62	16.40	1.94	12.25	1.25
JCH049	15	22	47.00	7.10	3.76	4.10	10.34	3.41	21.34	2.38	16.71	1.50
JCH050	-	30	70.50	7.10	3.76	4.10	13.62	4.00	23.25	3.00	18.01	1.50

G80 EYE SELFLOCK HOOK



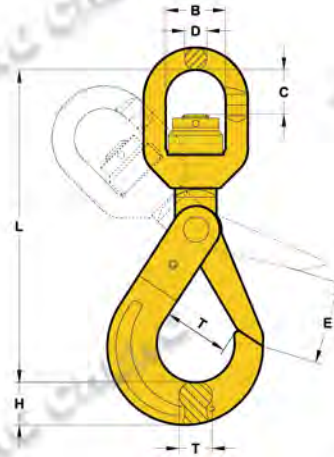
Item No.	Size	Weight Each (kg)	Working Load Limit (t)	Breaking Load Limit (t)	Dimensions (mm)						
					M ± 1	R ± 2.5	D ± 1	P ± 1	H ± 1	E ± 2	T ± 1
JCH051	6-8	0.5	1.12	4.48	22	110.5	10	34	19.5	28	15
JCH052	7/8-8	0.8	2	8	25	136	12	46	24	34	20
JCH053	10-8	1.43	3.15	12.6	32	171	15	56	30	44	26
JCH054	13-8	2.86	5.3	21.2	40.5	208.5	19.5	69	40	52	30
JCH055	16-8	5.64	8	32	56	257.5	22	86	50.5	60	36
JCH056	20-8	7.6	12.5	50	64.5	275	27	100	55	81	48
JCH057	22-8	13	15	60	70	320	30	98	67	82	49
JCH058	26-8	18	21.2	84.8	80	363	34	110	75	110	56
JCH059	32-8	44.5	31.5	126	105	472	45	166	97	168	63

G80 CLEVIS SELFLOCK HOOK



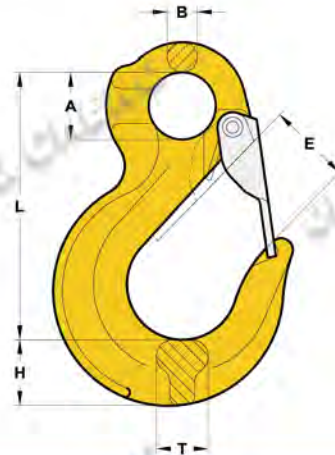
Item No.	Size	Weight Each (kg)	Working Load Limit (t)	Breaking Load Limit (t)	Dimensions (mm)					
					E ± 2	B ± 0.5	H ± 1	N ± 1	R	T ± 1
JCH060	6-8	0.5	1.12	4.48	29	8.5	19.5	34	95.5	15
JCH061	7/8-8	0.8	2	8	34	9.5	24	46	121	20
JCH062	10-8	1.5	3.15	12.6	44	12	30	56	146	26
JCH063	13-8	2.8	5.3	21.2	52	15	40	69	182	30
JCH064	16-8	5.6	8	32	60	18	50.5	86	218	36
JCH065	20-8	7.5	12.5	50	83	25	55	100	240	48
JCH066	22-8	11.5	15	60	88	25.5	67	98	276.5	49
JCH067	26-8	18.5	21.2	84.8	95.5	30	75	110	310.5	56
JCH068	32-8	49.1	31.5	126	160	36	97	166	400.5	63

G80 SWIVEL SELFLOCK HOOK



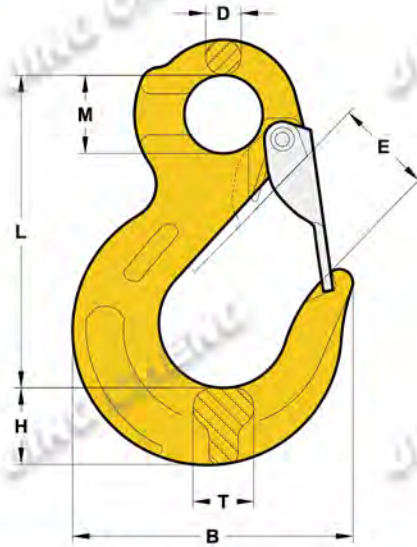
Item No.	Size	Weight Each (kg)	Working Load Limit (t)	Breaking Load Limit (t)	Dimensions (mm)						
					B ± 1	C ± 2.5	D ± 1	L ± 2	T ± 1.5	H ± 1	E ± 2
JCH069	6-8	0.71	1.12	4.48	32.5	22	11.25	150.5	34	19.5	29
JCH070	7/8-8	1.1	2	8	35.5	26	12.5	186	46	24	34
JCH071	10-8	2.0	3.15	12.6	42	34	15	217	56	30	44
JCH072	13-8	4.0	5.3	21.2	50	38.5	16	262	69	40	52
JCH073	16-8	7.3	8	32	61	55	21.5	332.5	86	50.5	60
JCH074	20-8	11.6	12.5	50	72	61	26	363	100	55	83
JCH075	22-8	16.0	15	60	95	95	33	351	98	67	88
JCH076	26-8	21.5	21.2	84.8	122	115	42	452	110	75	95.5
JCH077	32-8	79	31.5	126	140	126	52	680	166	97	150

G80 EYE SLING HOOK WITH CAST LATCH



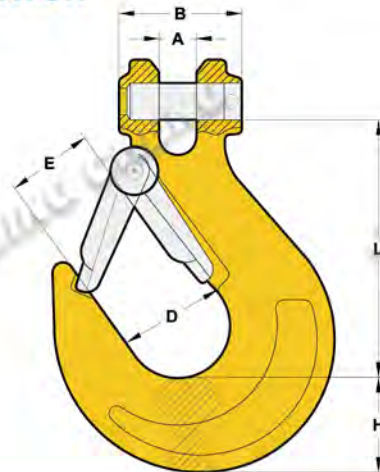
Item No.	Size	Weight Each (kg)	Working Load Limit (t)	Breaking Load Limit (t)	Dimensions (mm)					
					B ± 2	E ± 1	H ± 1	L ± 1	A ± 1	T ± 1
JCH078	6-8	0.3	1.12	4.48	29	24	20	88	20	16
JCH079	7/8-8	0.4	2	8	34	30	23	112	25	20
JCH080	10-8	0.9	3.15	12.6	44	34	31	136	38	23
JCH081	13-8	1.7	5.3	21.2	52	39	38	175	43	28
JCH082	16-8	3.2	8	32	60	46	47	208	50	32
JCH083	20-8	5.8	12.5	50	83	48	48	257	63	43
JCH084	22-8	8.5	15	60	88	71	62	286	62	50
JCH085	26-8	13	21.2	84.8	95.5	81	80	314	64	60
JCH086	32-8	17	31.5	126	160	102	86	394	88	65

G80 EYE SLING HOOK WITH CAST LATCH



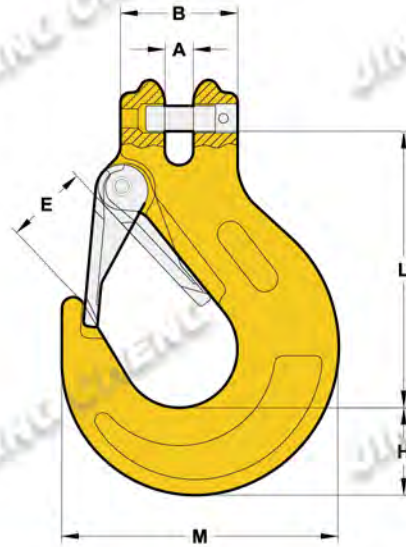
Item No.	Size	Weight Each (kg)	Working Load Limit (t)	Breaking Load Limit (t)	Dimensions (mm)						
					D ± 1	E ± 1	H ± 1	L ± 2	M ± 1	T ± 1	B ± 1
JCH087	6-8	0.3	1.12	4.48	9	18.5	20	89	20.5	16	68
JCH088	7/8-8	0.55	2	8	11	22	27	106.5	25	20	84
JCH089	10-8	1.05	3.15	12.6	14	28	33	134.5	34	23	102.5
JCH090	13-8	1.75	5.3	21.2	17.5	35	40	167.5	42.5	28	128.5
JCH091	16-8	3.2	8	32	22	43	48	205	52	32	156.5
JCH092	20-8	5.3	12.5	50	26	51.5	56	244	62	43	187

G80 CLEVIS SELFLOCK HOOK WITH CAST LATCH



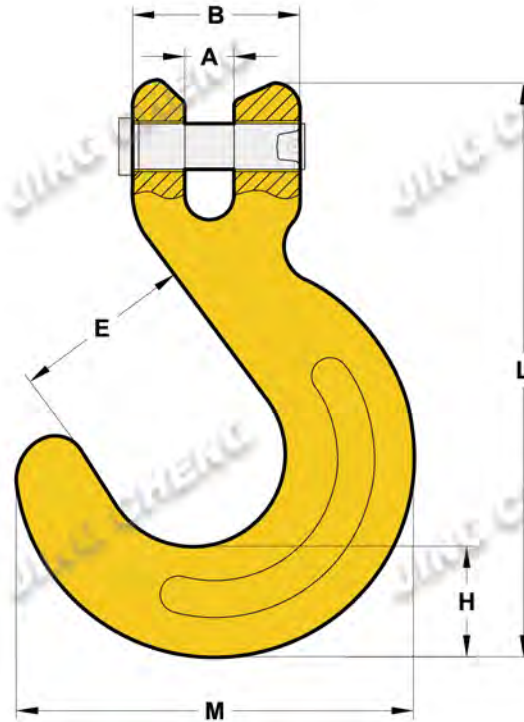
Item No.	Size	Weight Each (kg)	Working Load Limit (t)	Breaking Load Limit (t)	Dimensions (mm)					
					A ± 0.5	B ± 1.5	D ± 1	H ± 1	L ± 2	E ± 1
JCH093	6-8	0.32	1.12	4.48	8	32	35	23	76	26
JCH094	7/8-8	0.48	2	8	9.5	37	37	32.5	85.5	29
JCH095	10-8	0.95	3.15	12.6	13	49	46	35	104	39
JCH096	13-8	1.8	5.3	21.2	16.5	56.5	56	42.5	128	47
JCH097	16-8	3.4	8	32	21.5	70.5	60	54	150	55
JCH098	20-8	6	12.5	50	24	77	79	58	180	61
JCH099	22-8	10.4	15	60	27	91	101	62	213	72
JCH100	26-8	14.5	21.2	84.8	30	117	115	75	250	85
JCH101	32-8	27	31.5	126	35	150	140	88	317	106

G80 CLEVIS SELFLOCK HOOK WITH CAST LATCH



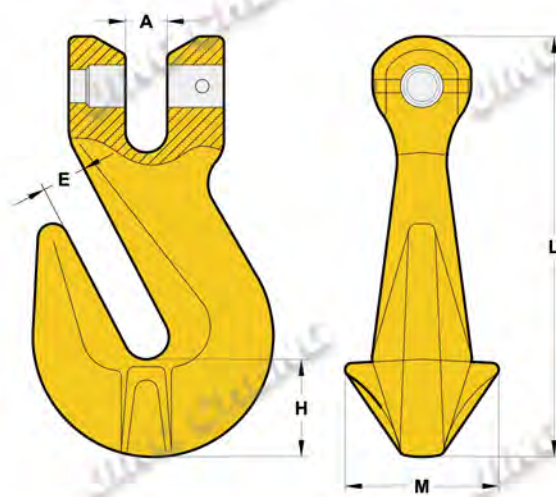
Item No.	Size	Weight Each (kg)	Working Load Limit (t)	Breaking Load Limit (t)	Dimensions (mm)					
					A ± 0.5	B ± 1.2	E ± 1	H ± 2	L ± 2	M ± 2
JCH102	6-8	0.3	1.12	4.48	7.5	32	19.5	20	88	68
JCH103	7/8-8	0.55	2	8	9.5	38.5	24	25	106	85.5
JCH104	10-8	0.96	3.15	12.6	13	48	28	36	127.5	106
JCH105	13-8	1.52	5.3	21.2	16.5	55	34.5	41.6	154.4	130
JCH106	16-8	3.43	8	32	18.5	65.5	43	46.2	189.8	155.5
JCH107	20-8	6.73	12.5	50	24	92	51.5	51	230	180

G80 CONTAINER HOOK



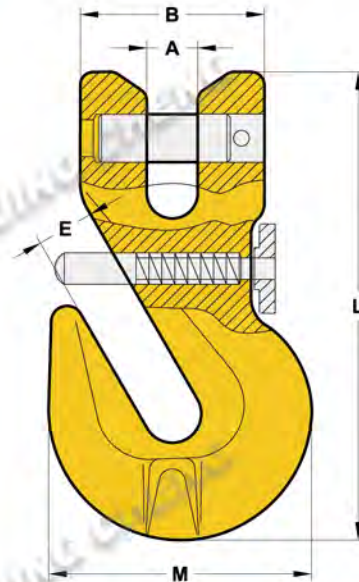
Item No.	Size (mm)	Weight Each (kg)	Working Load Limit (t)	Breaking Load Limit (t)	Dimensions (mm)					
					A	B	E	H	M	L
JCH108	13	1.5	5	20	7.5	32	19.5	20	88	68

G80 CLEVIS GRAB HOOK



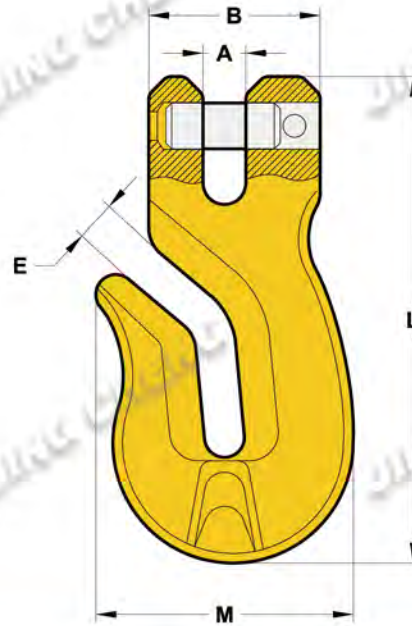
Item No.	Size	Weight Each (kg)	Working Load Limit (t)	Breaking Load Limit (t)	Dimensions (mm)				
					E ± 1	A ± 0.5	H ± 1	W ± 1	L ± 2
JCH109	6-8	0.25	1.12	4.48	8.3	8	17.7	26.7	75
JCH110	7/8-8	0.32	2	8	11	9.5	18.5	33.5	89
JCH111	10-8	0.73	3.15	12.6	13	12.5	29	46	126
JCH112	13-8	1.6	5.3	21.2	16.5	15	42.7	57.5	163.5
JCH113	16-8	2.8	8	32	19	18.5	45	74	183.5
JCH114	20-8	5	12.5	50	24	23	56	74	219
JCH115	22-8	6.3	15	60	27	27	68.5	90	254
JCH116	26-8	14.5	21.2	84.8	30	30	77	102	309

G80 CLEVIS GRAB HOOK WITH SAFETY PIN



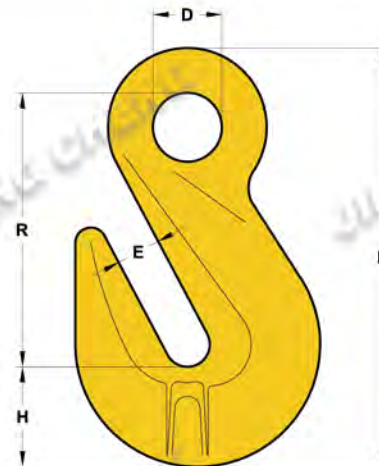
Item No.	Size	Weight Each (kg)	Working Load Limit (t)	Breaking Load Limit (t)	Dimensions (mm)				
					A ± 0.5	B ± 1.2	E ± 0.5	M ± 2	L ± 2
JCH117	6-8	0.28	1.12	4.48	8	32	8	43.5	75
JCH118	7/8-8	0.33	2	8	9.5	35	11	19.5	89
JCH119	10-8	0.88	3.15	12.6	12.5	42.5	13.2	70.5	126.5
JCH120	13-8	1.85	5.3	21.2	15	63	16.5	90	163.5
JCH121	16-8	3.24	8	32	19.5	65.5	19.2	112.5	183.5

G80 DEEP THROAT CLEVIS GRAB HOOK



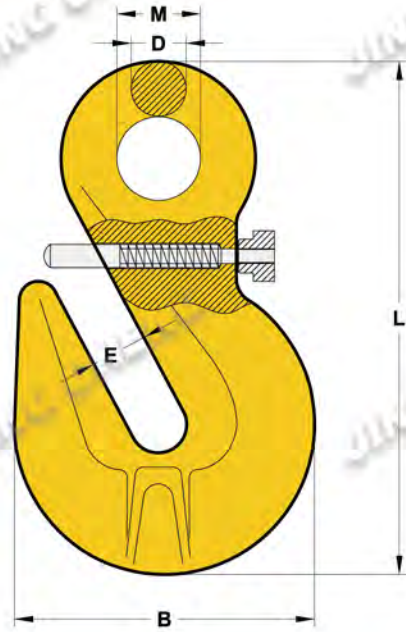
Item No.	Size	Weight Each (kg)	Working Load Limit (t)	Breaking Load Limit (t)	Dimensions (mm)				
					A ± 0.5	B ± 1	E ± 0.5	M ± 2	L ± 2.5
JCH122	6-8	0.19	1.12	4.48	7.5	31.5	7.5	45	85
JCH123	7/8-8	0.35	2	8	9	37.5	10	57	106
JCH124	10-8	0.75	3.15	12.6	12.5	47.5	13	74	127
JCH125	13-8	1.63	5.3	21.2	15	58.5	15.5	89	165.5

G80 EYE SHORTENING GRAB HOOK



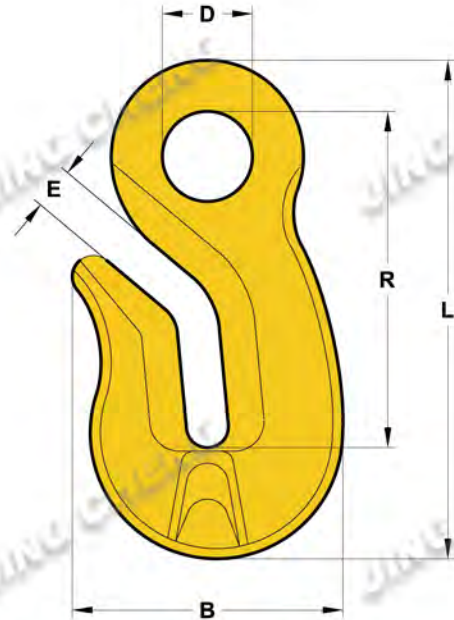
Item No.	Size	Weight Each (kg)	Working Load Limit (t)	Breaking Load Limit (t)	Dimensions (mm)				
					E ± 0.5	D ± 1	H ± 1	R ± 2	L ± 2
JCH126	6-8	0.14	1.12	4.48	8	13.5	17.9	51.4	75.3
JCH127	7/8-8	0.245	2	8	10.8	18	20	61.5	91.2
JCH128	10-8	0.65	3.15	12.6	13	20	29	80	122
JCH129	13-8	1.39	5.3	21.2	16.5	26	42.8	99.7	158
JCH130	16-8	2.2	8	32	20	30.5	47.7	104	169
JCH131	20-8	4.6	12.5	50	25	37.5	56	140	219
JCH132	22-8	8.2	15	60	28	44	68	165	259
JCH133	26-8	9.8	21.2	84.8	30	44	77	188.8	298
JCH134	32-8	19.4	31.5	126	38	57	95	228	361

G80 EYE SHORTENING GRAB HOOK WITH SAFETY PIN



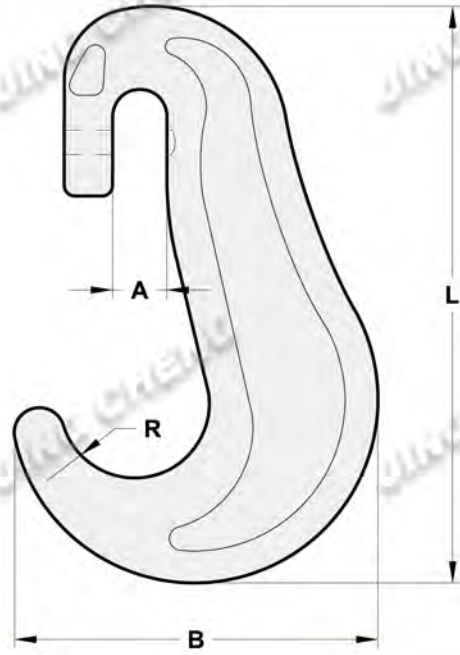
Item No.	Size	Weight Each (kg)	Working Load Limit (t)	Breaking Load Limit (t)	Dimensions (mm)				
					M ± 1	B ± 1.5	D ± 1	E ± 0.5	L ± 2
JCH135	7/8-8	0.29	2	8	17	50	9.5	11	88.5
JCH136	10-8	0.75	3.15	12.6	20	71	13	13	121.5
JCH137	13-8	1.62	5.3	21.2	26	96	15.5	16.5	158

G80 DEEP THROAT EYE GRAB HOOK



Item No.	Size	Weight Each (kg)	Working Load Limit (t)	Breaking Load Limit (t)	Dimensions (mm)				
					D ± 1	E ± 0.3	B ± 1.2	R ± 1.5	L ± 1.5
JCH138	6-8	0.16	1.12	4.48	15	7	45	56	83
JCH139	7/8-8	0.35	2	8	16	9.6	52	75.3	106.5
JCH140	10-8	0.75	3.15	12.6	21	13	66	84.5	124.5

G80 LASHING TYPE C HOOK WITH SPRING PIN



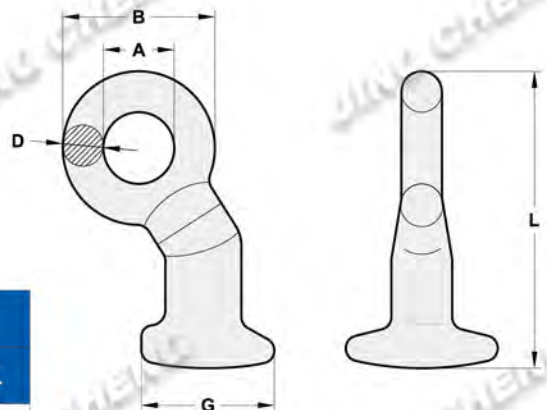
Item No.	Size (mm)	Weight Each (kg)	Working Load Limit (t)	Breaking Load Limit (t)	Dimensions (mm)			
					L ± 2	A ± 0.3	B ± 1.5	R ± 1
JCH141	9	0.5	2.5	10	143	13.5	90.5	18.5
JCH142	11	0.85	3.75	15	177	15.5	109.5	22
JCH143	13	1.38	5.4	21.6	205	15.7	129	25.5

G80 CLEVIS ELEPHANT FOOT



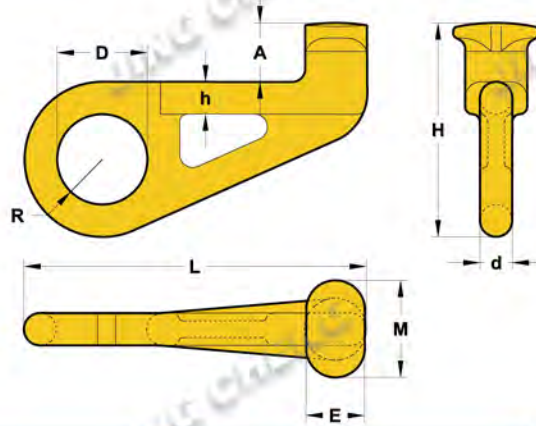
Item No.	Size (mm)	Weight Each (kg)	Working Load Limit (t)	Dimensions (mm)			
				A	B	D	L
JCH144	13	0.97	5	16	46	59	103.4

G80 EYE ELEPHANT FOOT



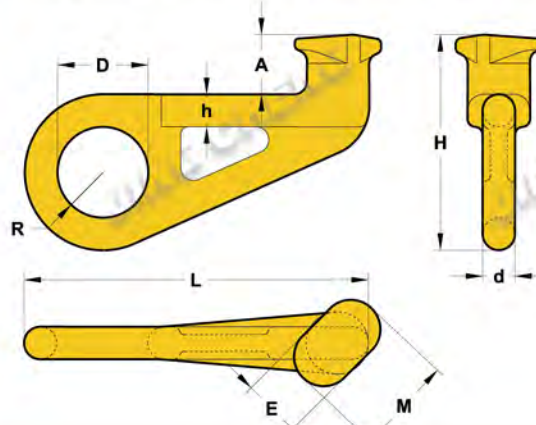
Item No.	Size (mm)	Weight Each (kg)	Working Load Limit (t)	Dimensions (mm)				
				A	B	D	G	L
JCH145	13	0.67	5	28	60	16	52.5	116

G80 CONTAINER HOOK STRAIGHT TYPE



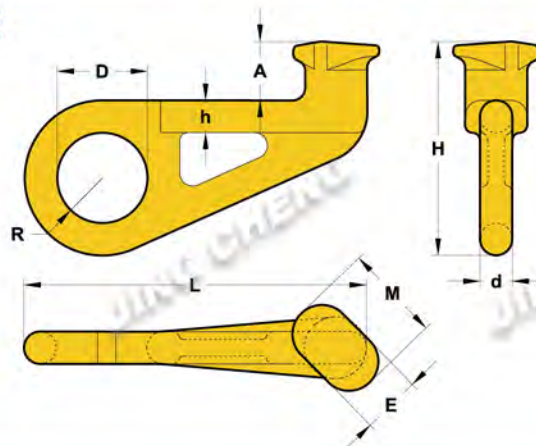
Item No.	Size	Weight Each (kg)	Working Load Limit (t)	Breaking Load Limit (t)	Dimensions (mm)								
					A±1	M±2	H±2	h±1	E±1	R±1	D±1	d±1	L±2
JCH146	S	4	12.5	50	46	75	166	25	48	60	70	25	265

G80 CONTAINER HOOK LEFT TYPE



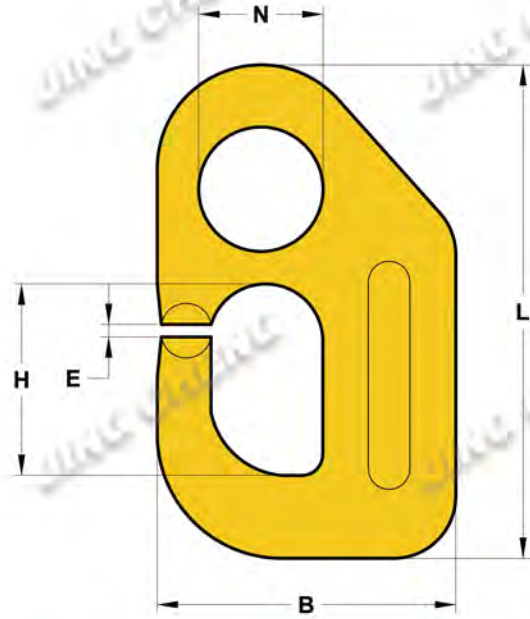
Item No.	Size	Weight Each (kg)	Working Load Limit (t)	Breaking Load Limit (t)	Dimensions (mm)								
					A±1	M±2	H±2	h±1	E±1	R±1	D±1	d±1	L±2
JCH147	L	4	12.5	50	46	75	166	25	48	60	70	25	265

G80 CONTAINER HOOK RIGHT TYPE



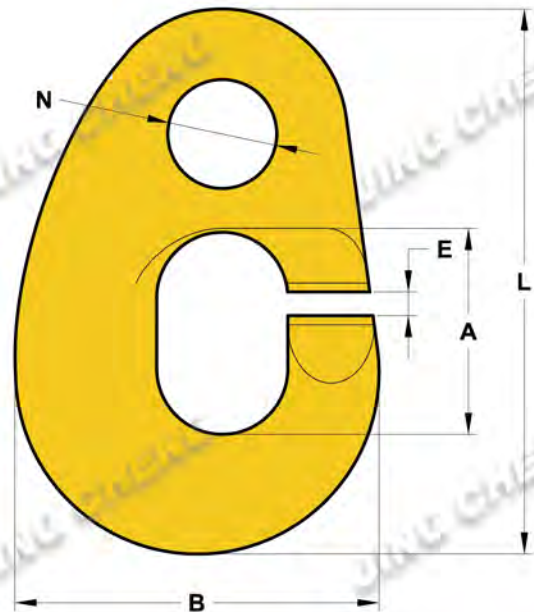
Item No.	Size	Weight Each (kg)	Working Load Limit (t)	Breaking Load Limit (t)	Dimensions (mm)								
					A±1	M±2	H±2	h±1	E±1	R±1	D±1	d±1	L±2
JCH148	R	4	12.5	50	46	75	166	25	48	60	70	25	265

ALLOY FORGED DV HOOK / VIKING LINK

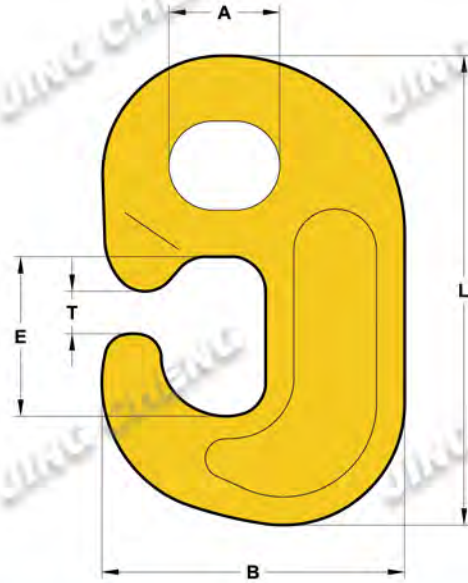


Item No.	Size	Weight Each (kg)	Working Load Limit (t)	Breaking Load Limit (t)	Dimensions (mm)				
					N ± 2	B ± 1.5	E ± 0.1	H ± 1	L ± 1.2
JCH149	1.5T	0.5	1.5	7.5	28	61	3	35	102
JCH150	3.0T	0.73	3	15	30	72	3	41	119
JCH151	5.0T	1.2	5	25	35	84.5	3	42	137
JCH152	8.0T	1.6	8	40	42	96	3	42	153

ALLOY FORGED G HOOK

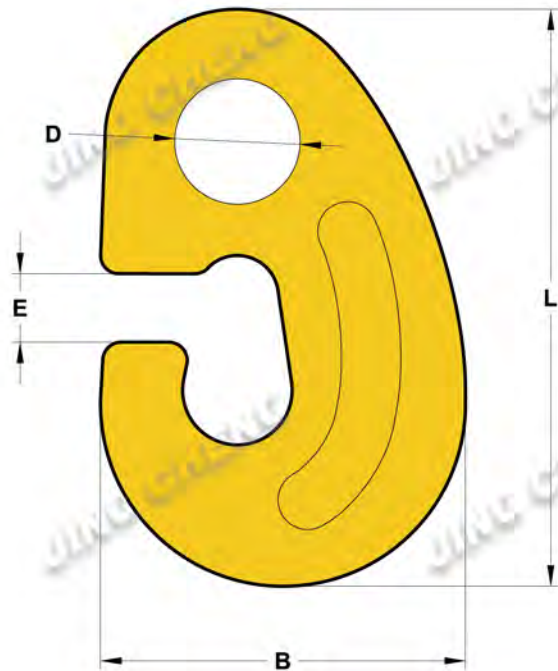


Item No.	Size	Weight Each (kg)	Working Load Limit (t)	Breaking Load Limit (t)	Dimensions (mm)				
					L	N	B	A	E
JCH153	1.5T	0.4	1.6	6	91.5	18.3	61	33.9	4
JCH154	2.6T	0.7	2.6	10.4	116.5	21.3	78.5	42	4
JCH155	4T	1.35	4	16	144	25.5	94	56.8	4
JCH156	6T	2.115	6	24	164	30.3	111	64	5



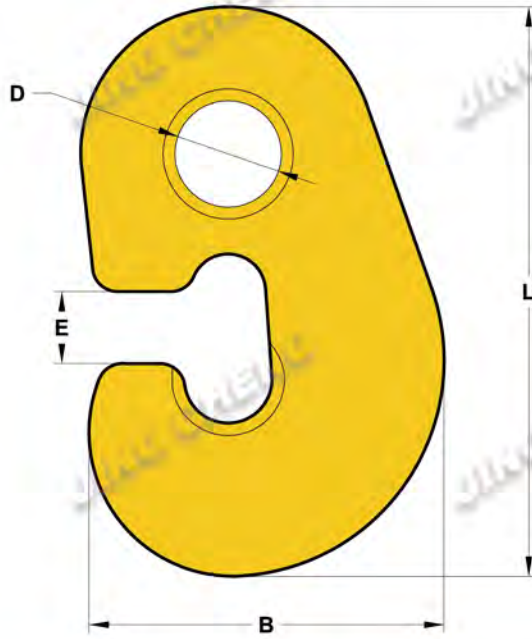
Item No.	Size	Weight Each (kg)	Working Load Limit (t)	Breaking Load Limit (t)	Dimensions (mm)				
					A ± 1	B ± 1.5	E ± 1	T ± 0.5	L ± 2
JCH157	3T	0.69	3	15	28.5	72.5	41.5	18	119
JCH158	5T	1.13	5	25	35	83.5	44	18	136.5
JCH159	8T	2.1	8	40	42	90.5	42	18	150
JCH160	10T	3.98	10	50	41	116	60	19.3	185
JCH161	15T	6.1	15	75	51	139	73	20	216
JCH162	20T	8.4	20	100	62	156	82	28	242

ALLOY FORGED G HOOK



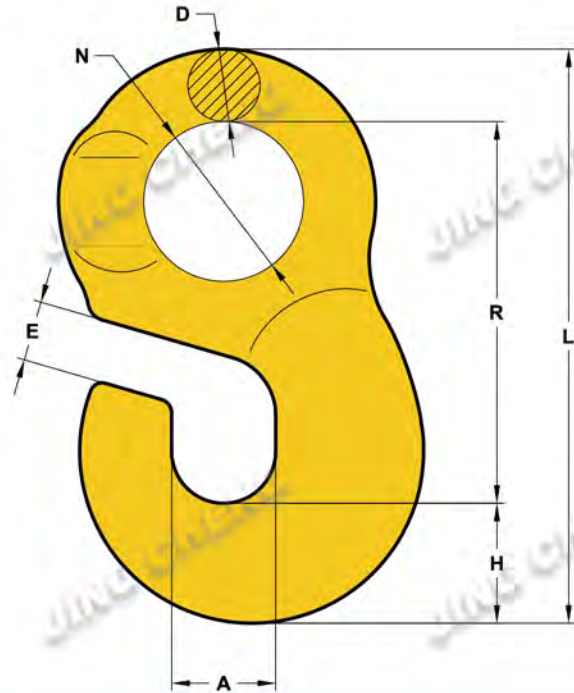
Item No.	Size	Weight Each (kg)	Working Load Limit (t)	Breaking Load Limit (t)	Dimensions (mm)			
					E ± 0.5	D ± 1	B ± 1.5	L ± 2
JCH163	4.2T	0.8	4.2	21	15	27.5	80	126.5
JCH164	6.4T	2.6	6.4	32	19	31	105.5	180

ALLOY FORGED G HOOK



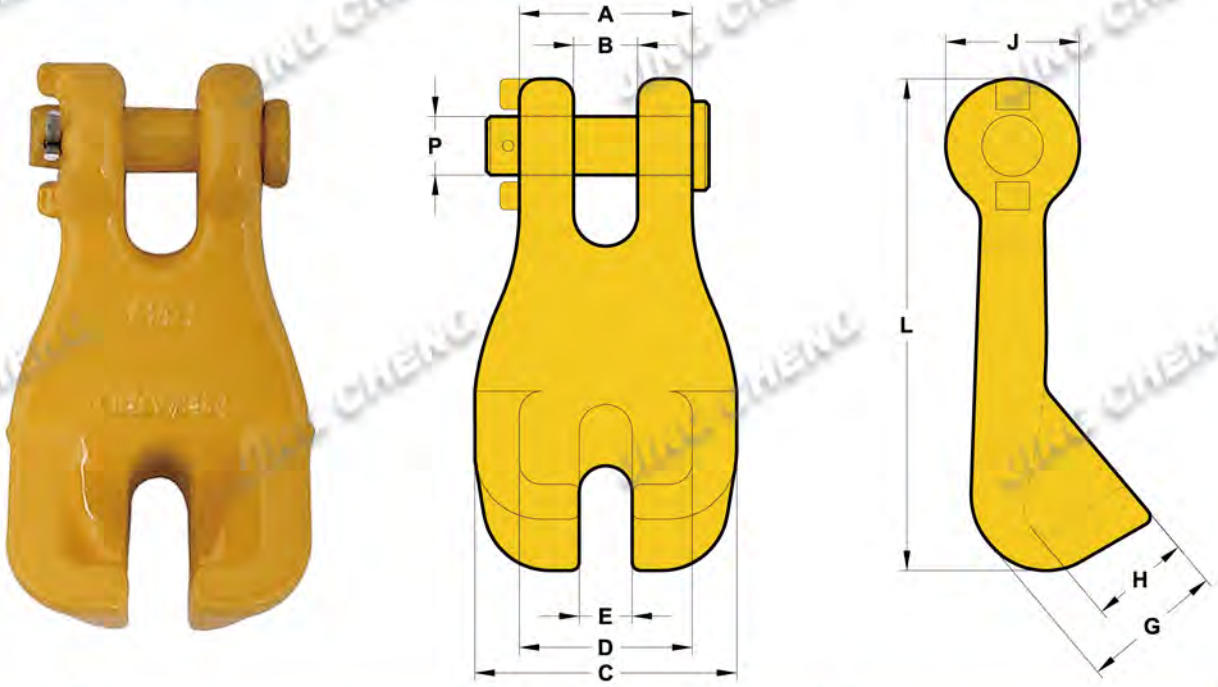
Item No.	Size	Weight Each (kg)	Working Load Limit (t)	Breaking Load Limit (t)	Dimensions (mm)			
					D ± 1	B ± 2	E ± 0.5	L ± 1.5
JCH165	1.0T	0.33	1	5	17	57	11.5	91
JCH166	1.5T	0.6	1.5	7.5	20	66	13	107
JCH167	3.2T	0.9	3.2	16	26	77	15	123
JCH168	5.6T	3.1	5.6	28	38	115	23	180

G80 G HOOK



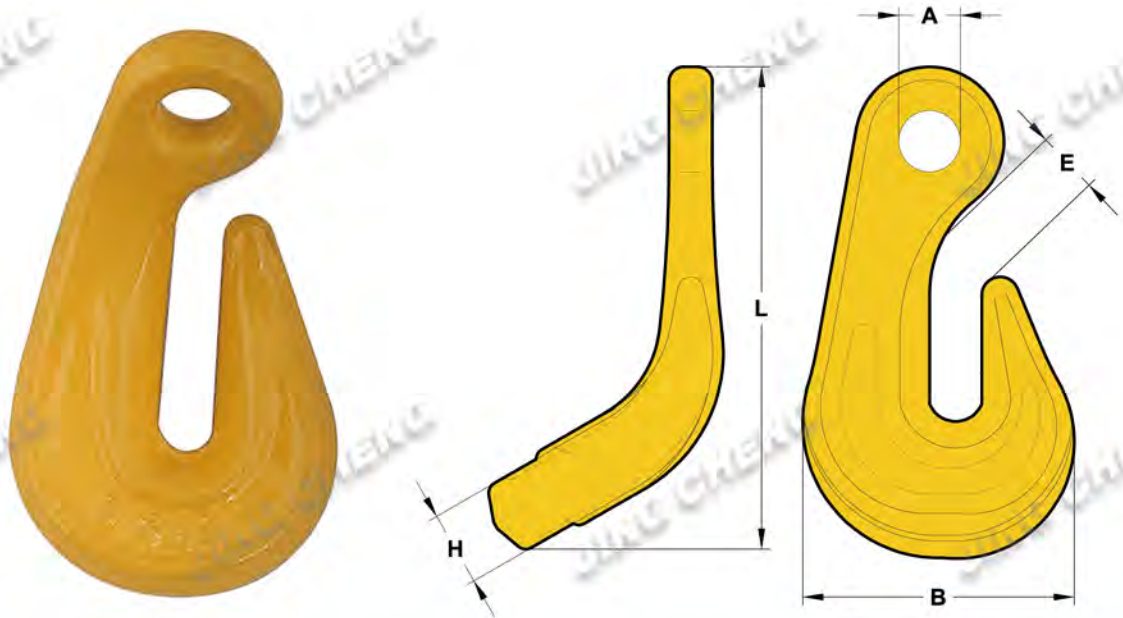
Item No.	Size	Weight Each (kg)	Working Load Limit (t)	Breaking Load Limit (t)	Dimensions (mm)						
					A ± 0.5	N ± 1	D ± 1	H ± 1	R ± 1.5	E ± 0.3	L ± 2
JCH169	10	0.51	3.15	12.6	20	32	14	22	76.5	12	113
JCH170	13	1.3	5.3	21.2	26	40	18	29	95.5	15	143.5
JCH171	16	1.9	8.0	32	32	50	22	35.5	117	18.4	176
JCH172	19	3.65	12.5	50	38	60	26	43	141	22	216.5

AUSTRALIA TYPE CLEVIS CLAW HOOK



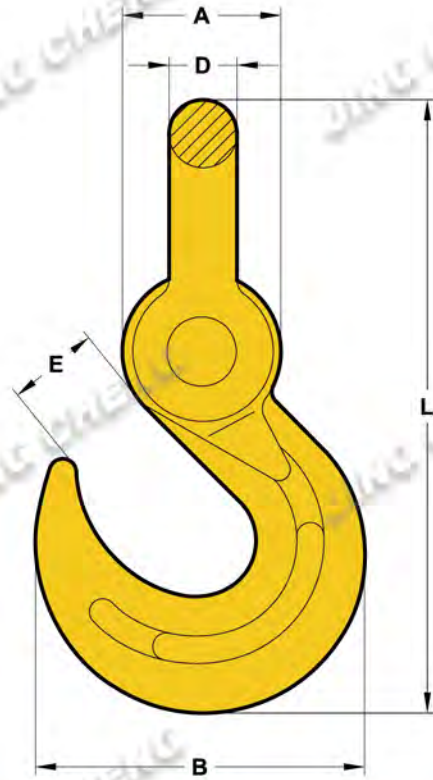
Item No.	Size (mm)	Working Load Limit (lbs)	Weight (kg)	Dimensions (mm)									
				A	B	C	D	E	J	G	H	L	P
JCH173	7-8	3800	0.55	31	11.5	47	31	9.5	24	25.5	18	88.3	9.6
JCH174	10	6000	0.59	33	12.5	55	17	11.5	27	30	21	103.3	12

EYE BEND HOOK



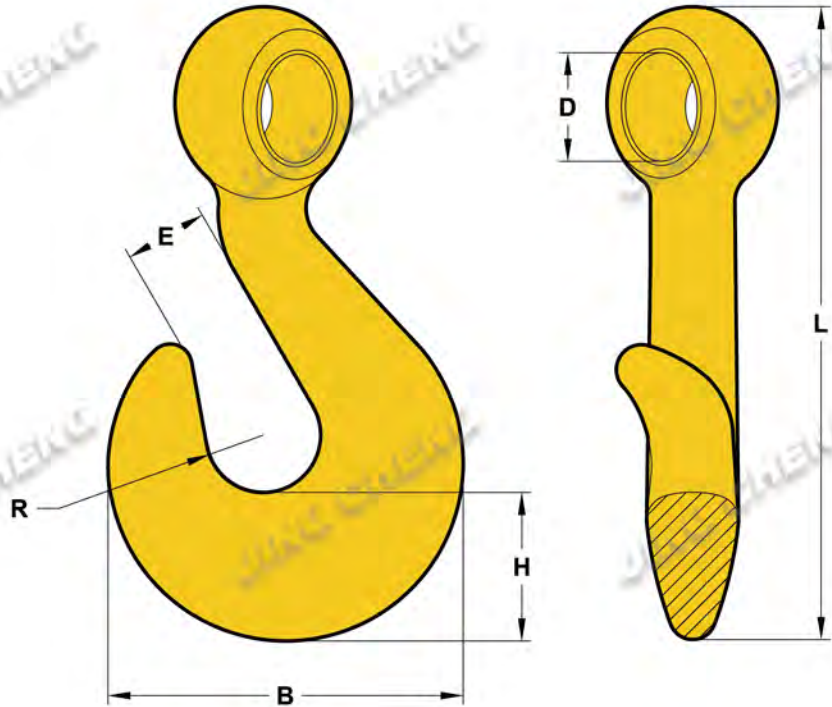
Item No.	Size	Weight Each (kg)	Working Load Limit (t)	Breaking Load Limit (t)	Dimensions (mm)				
					A ± 1	B ± 2	E ± 0.5	L ± 2	H ± 1
JCH175	1.86T	0.4	1.86	7.44	13	57	15	100	18.5
JCH176	2T	0.5	2	8	13	58	10	105	20
JCH177	5T	1.7	5	20	20	92.5	16	170	30

G80 TRACTOR HOOK



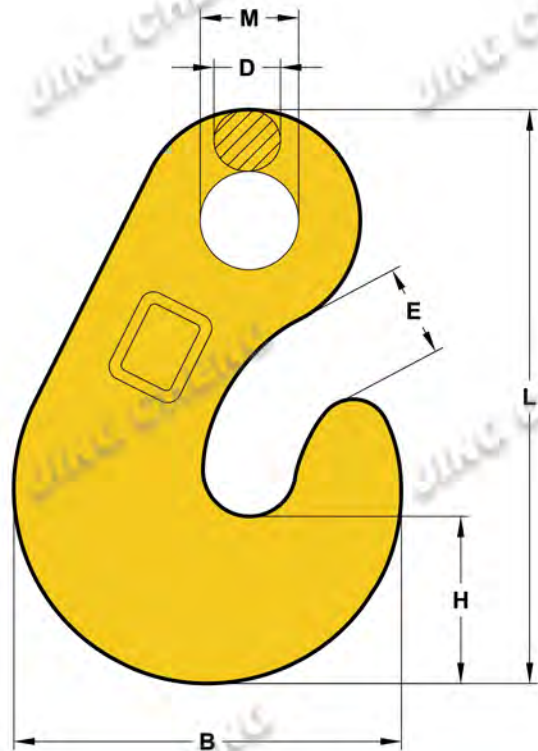
Item No.	Size	Weight Each (kg)	Working Load Limit (t)	Breaking Load Limit (t)	Dimensions (mm)				
					A ± 1	D ± 0.6	L ± 2	B ± 2	E ± 0.5
JCH178	8.5T	5.45	8.5	34	70	30	270.5	145.3	40

EYE TWIST HOOK



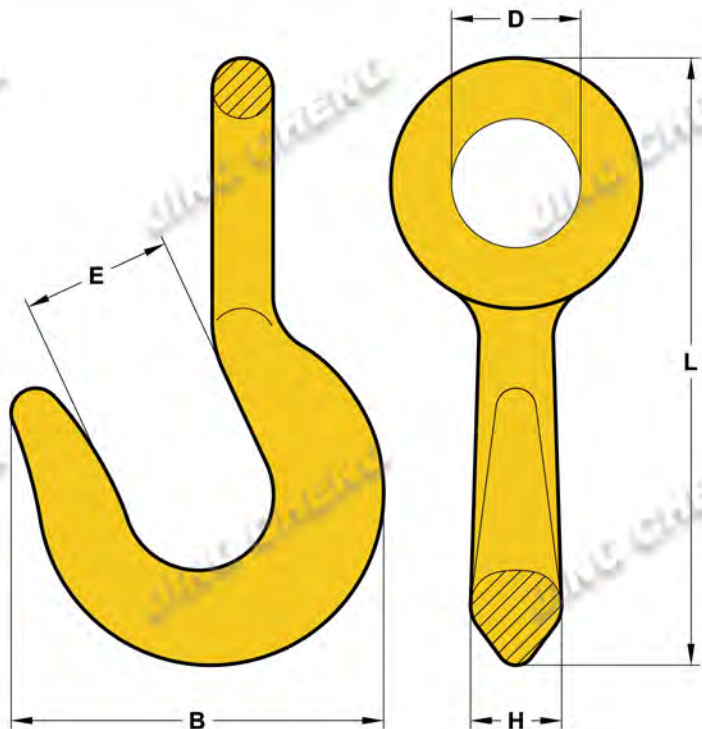
Item No.	Size	Weight Each (kg)	Working Load Limit (t)	Breaking Load Limit (t)	Dimensions (mm)					
					E ± 1	R ± 1	B ± 2	H ± 1.5	L ± 2.5	D ± 0.5
JCH179	8T	6.12	8	32	39	27.5	170	70.4	303	44.5

HEAVY WINCH HOOK



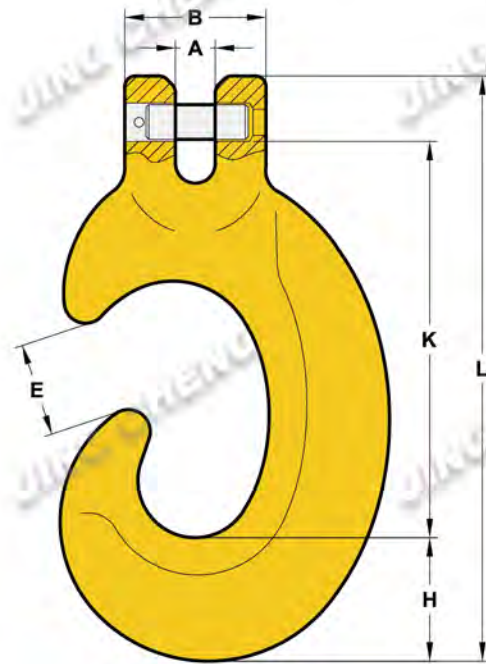
Item No.	Size (in)	Weight Each (kg)	Working Load Limit (t)	Breaking Load Limit (t)	Dimensions (mm)					
					M ± 1	E ± 1	D ± 1	H ± 1.2	B ± 2	L ± 2
JCH180	1-1/8	1.09	5.3	21.6	35.5	33	24	60.3	140	207

ROUND REVERSE EYE HOOK



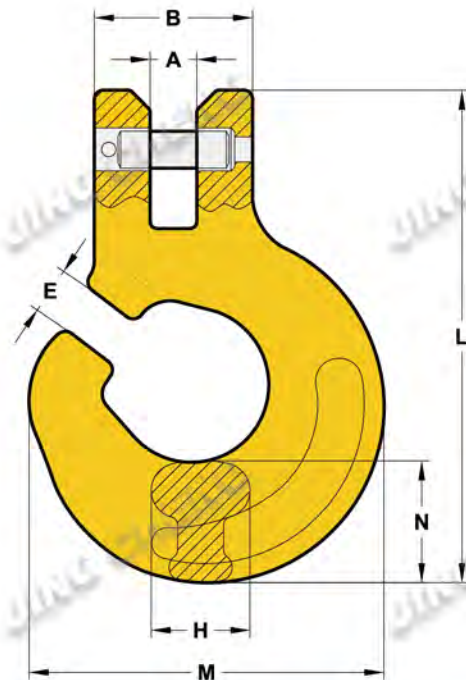
Item No.	Size	Weight Each (kg)	Working Load Limit (t)	Breaking Load Limit (t)	Dimensions (mm)				
					D ± 1	B ± 2	E ± 1	L ± 2	H ± 1
JCH181	6#	0.8	1.5	6	34	98	39	160	24
JCH182	7#	1.14	2	8	36	116	50	192	25

G80 CLEVIS C HOOK



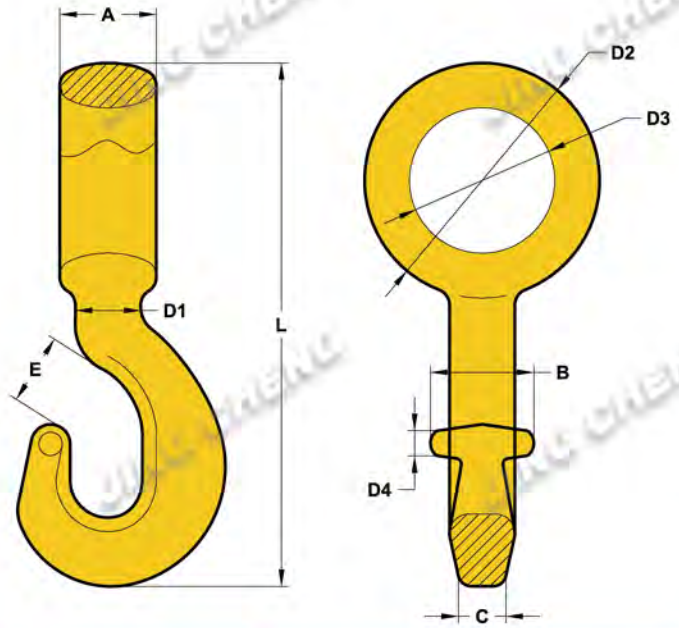
Item No.	Size	Weight Each (kg)	Working Load Limit (t)	Breaking Load Limit (t)	Dimensions (mm)					
					A ± 0.5	E ± 1	B ± 1.5	H ± 1	K ± 2	L ± 2.5
JCH183	7/8	0.57	2	8	9.5	20	35	28	90	136
JCH184	10	1.4	3.15	12.6	13	29.5	46	39.5	127	189
JCH185	13	3.0	5.3	21.2	16.5	39.5	59	52	166.5	246
JCH186	16	5.42	8	32	18.5	46.5	72	59	206	298

G80 CLEVIS FOREST HOOK



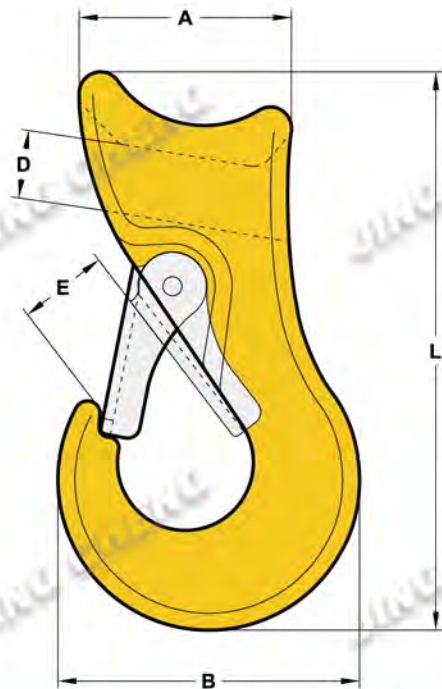
Item No.	Size	Weight Each (kg)	Working Load Limit (t)	Breaking Load Limit (t)	Dimensions (mm)						
					B ± 1.2	A ± 0.5	E ± 0.5	H ± 1	M ± 2	N ± 0.5	L ± 2
JCH187	6	0.413	1.12	4.48	31	8.5	8.5	18	66.5	24.5	83
JCH188	7/8	0.413	2	8	35	9.5	10.5	18	72.7	22.2	95.5
JCH189	10	0.92	3.15	12.6	44	13	13	22	97	33.5	137
JCH190	13	1.75	5.3	21.2	53	15	16	30	119	40	165

G80 TWIST EYE CHOKE HOOK



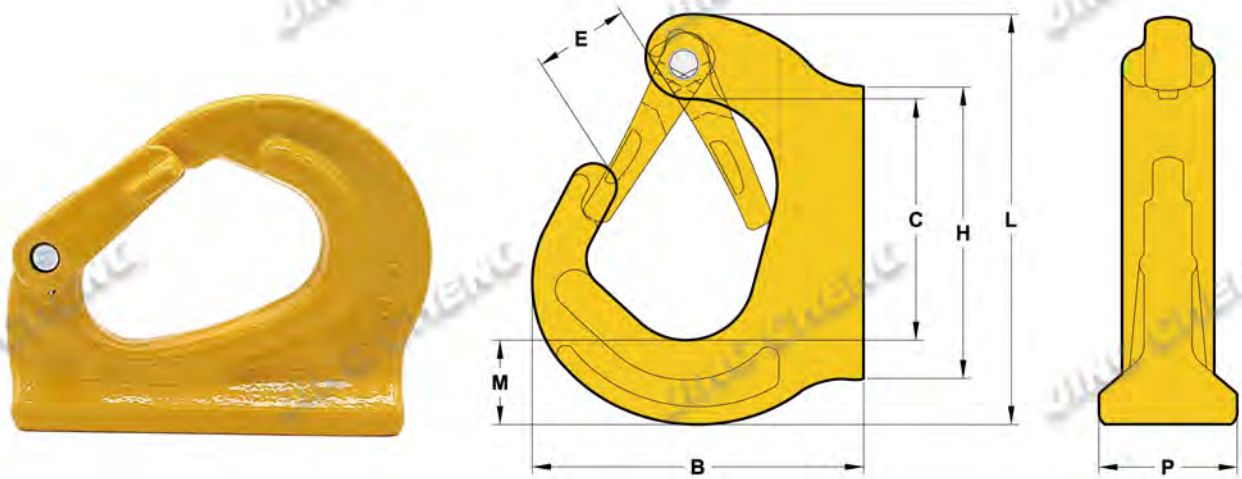
Item No.	Size	Weight Each (kg)	Working Load Limit (t)	Breaking Load Limit (t)	Dimensions (mm)								
					A ± 1	B ± 1	C ± 0.5	D1 ± 1	D2 ± 1.5	D3 ± 1.5	D4	E ± 0.5	L ± 2
JCH191	7/8-8	0.36	2	8	19	28	6.5	17	52	30.5	7.5	16	123
JCH192	10-8	0.72	3.2	12.8	26	40	17.5	20	68	39	8	20	157
JCH193	13-8	1.4	5.4	21.6	34	43	21	25	85	52	9.5	27	195
JCH194	16-8	3.17	8.2	32.8	51	45.5	31	30	108	64	10.5	30	246
JCH195	18-8	3.8	10	40	49.5	53	22	33.5	121	75	12	37	268
JCH196	20/22-8	8.95	15.3	61.2	70	80	14	52	146	84	14	47	367

G80 SLIDING EYE CHOKE HOOK



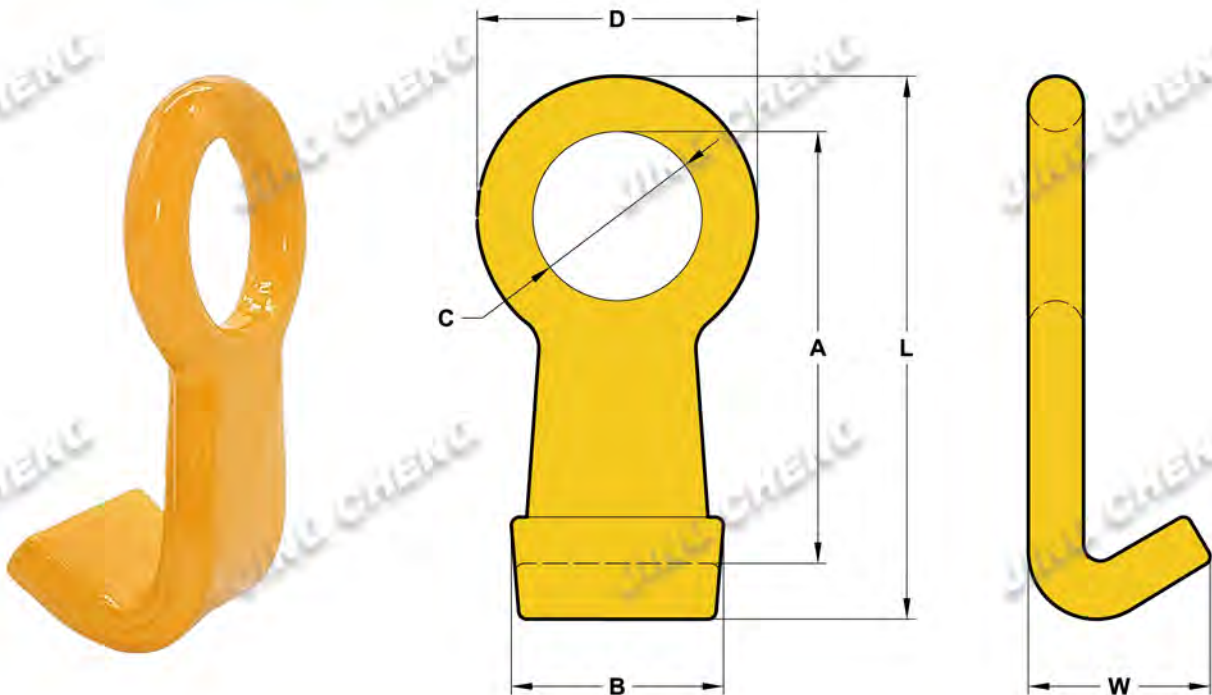
Item No.	Size (in)	Weight Each (kg)	Working Load Limit (t)	Breaking Load Limit (t)	Dimensions (mm)				
					D ± 0.5	A ± 1.5	B ± 1.5	E ± 2	L ± 3
JCH197	3/8-1/2	0.68	1.6	8	17	50	71	21	132
JCH198	5/8	1.21	2	10	22	63.5	79	23	151.5
JCH199	3/4	1.99	3	15	28	69	103	29	170
JCH200	1	4.18	5	25	32.5	85.7	135	38	213

G80 CLEVIS C HOOK



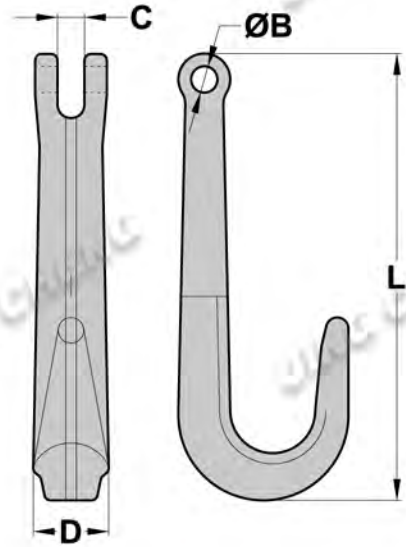
Item No.	Size	Weight Each (kg)	Working Load Limit (t)	Breaking Load Limit (t)	Dimensions (mm)						
					B ± 1.5	C ± 1.2	E ± 0.5	H ± 2	M ± 1	P ± 1	L ± 2
JCH201	2T	0.83	2	10	92	67	30	81	23.3	34	114
JCH202	3T	1.2	3	15	106	73.5	33.2	116	33.6	36	129
JCH203	5T	2.46	5	25	133	94	35	159	44	43.5	171
JCH204	8T	3.26	8	40	136.5	94	33.31	159	44	51	177
JCH205	10T	5.17	10	50	169.5	134.5	50.54	194	54.7	53	223

G80 SLIDING EYE CHOKE HOOK



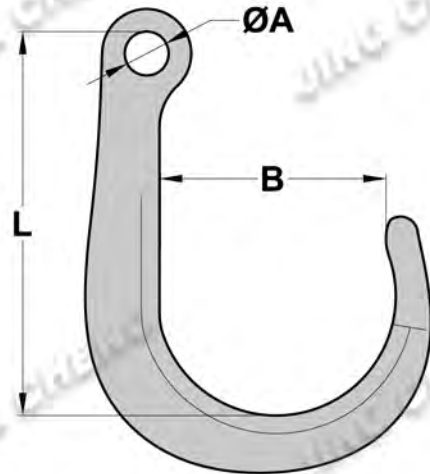
Item No.	Size	Weight Each (kg)	Working Load Limit (t)	Breaking Load Limit (t)	Dimensions (mm)					
					A ± 2	B ± 2	C ± 1	D ± 1.2	L ± 2	W ± 2
JCH206	1T	0.7	1	4	109	60	38	64.5	118.5	59
JCH207	2T	0.55	2	8	102	50	40	66	128	43

CLEVIS J HOOK



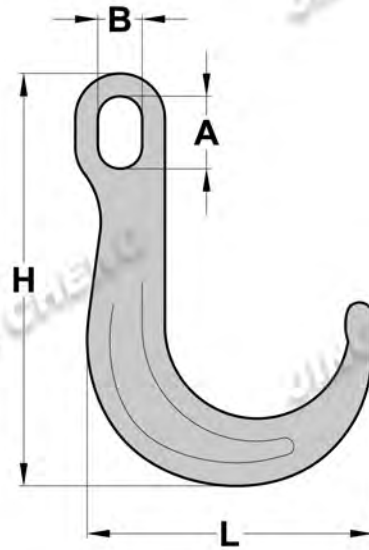
Item No.	Size (in.)	Weight Each (kg)	Working Load Limit (t)	Dimensions (mm)			
				A	B	C	D
JCH208	8	1.24	2.11	210	12.4	12.7	25.5
JCH209	15	1.50	2.11	366.8	12.4	12.7	23.7

J TYPE HOOK WITH ROUND HOLE



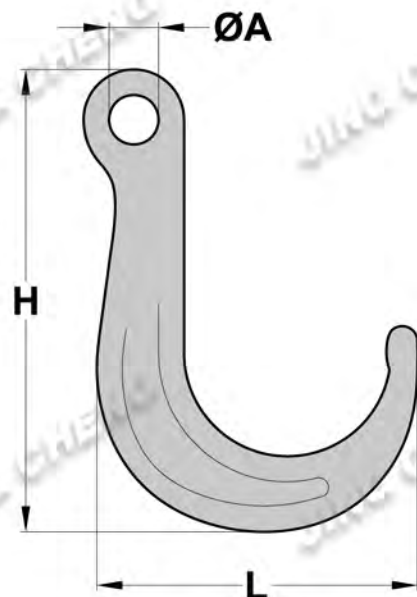
Item No.	Size (in)	Weight Each (kg)	Working Load Limit (t)	Dimensions (mm)		
				A	L	B
JCH210	8	1.31	2.11	19.5	168.0	105.5
JCH211	15	2.22	2.11	19.5	347.2	105.5

J TYPE HOOK WITH ELLIPSE HOLE



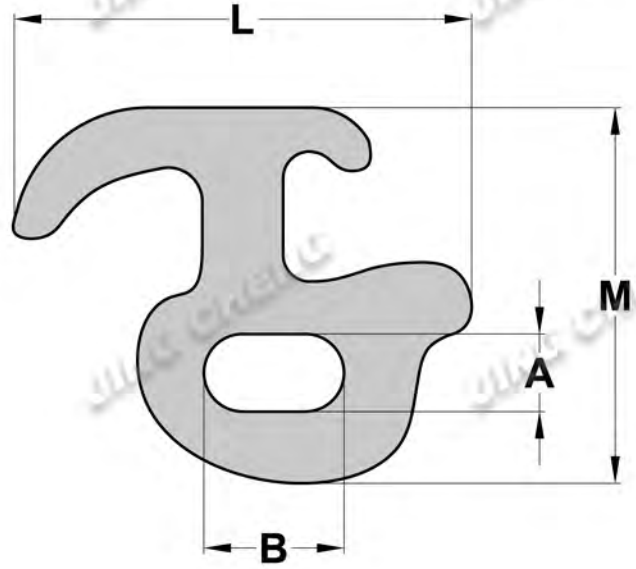
Item No.	Size (in)	Weight Each (kg)	Working Load Limit (t)	Dimensions (mm)			
				A	B	H	L
JCH212	8	1.5	2.45	32.0	19.5	162.0	146.0
JCH213	15	2.0	2.45	32.0	19.5	318.2	157.3

J TYPE HOOK WITH ROUND HOLE



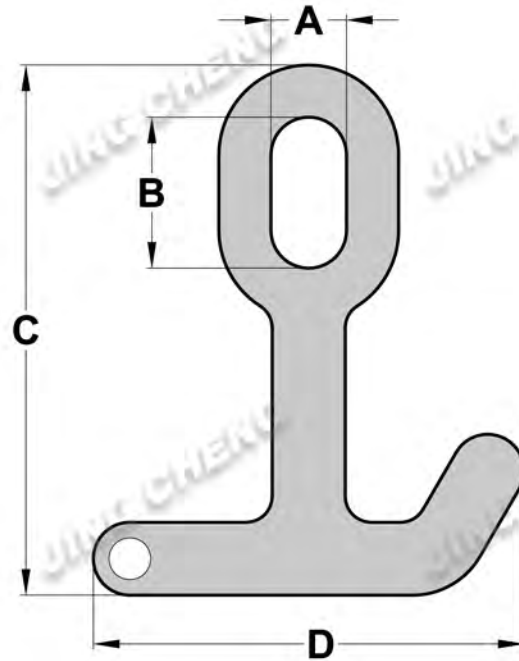
Item No.	Size (in)	Weight Each (kg)	Working Load Limit (t)	Dimensions (mm)		
				A	H	L
JCH214	8	1.5	2.45	19.5	162.0	146.0
JCH215	15	2.0	2.45	19.5	318.2	157.3

R TYPE HOOK



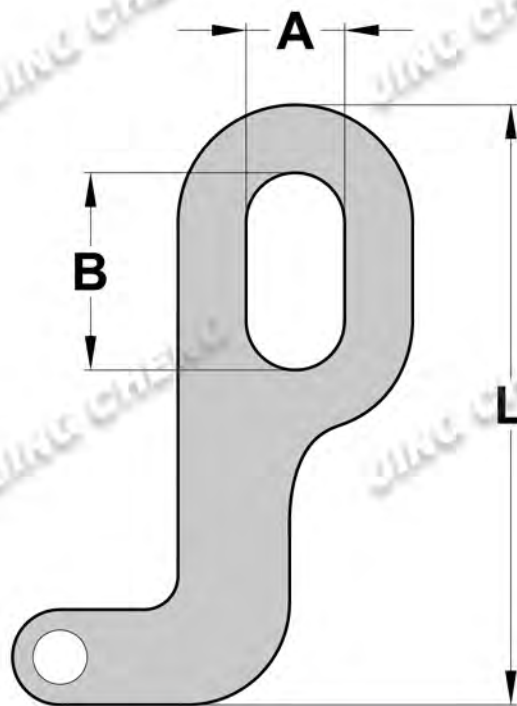
Item No.	Size (in)	Weight Each (kg)	BL (t)		Dimensions (mm)			
			Carbon	Alloy	A	B	L	M
JCH216	5/16	0.30	5.3	8.5	14.4	26.0	85.2	66.5

T-J TYPE HOOK



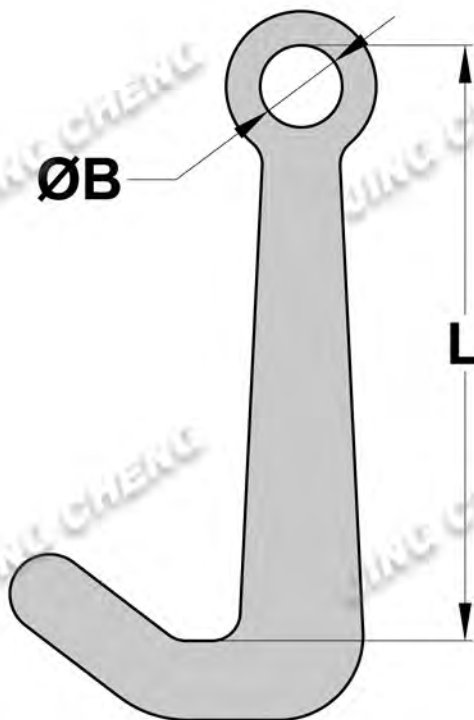
Item No.	Size (in)	Weight Each (kg)	BL (t)		Dimensions (mm)			
			Carbon	Alloy	A	B	C	D
JCH217	5/16	0.33	5.1	7.1	14.5	29.0	101.8	82.7

T TYPE HOOK



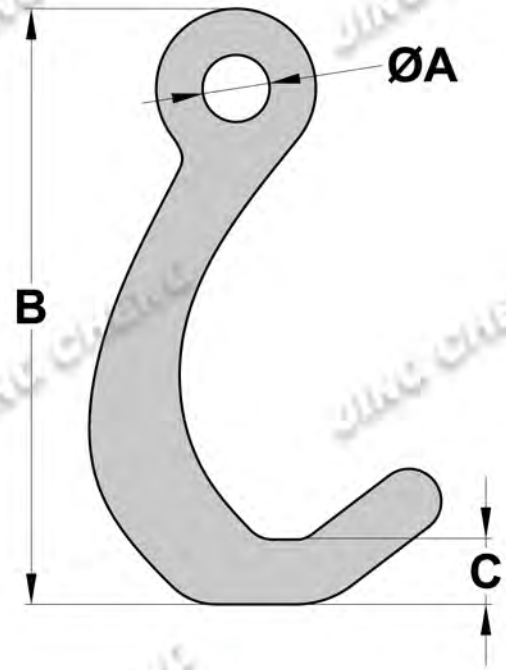
Item No.	Size (in)	Weight Each (kg)	BL (t)		Dimensions (mm)		
			Carbon	Alloy	A	B	L
JCH218	5/16	0.26	7.1	8.5	28.9	14.5	101.1

SMALL J TYPE HOOK



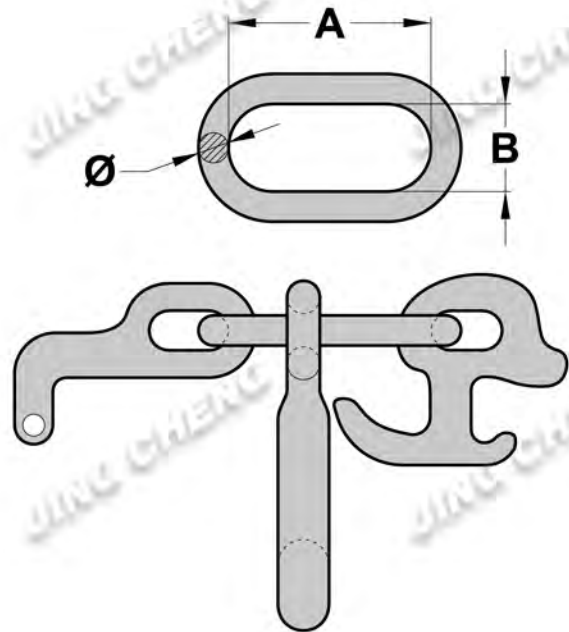
Item No.	Size (in)	Weight Each (kg)	Breaking Load Limit (t)	Dimensions (mm)	
				B	L
JCH219	5/16-3/8	0.32	8.5	14.5	105.2

EYE SLING HOOK



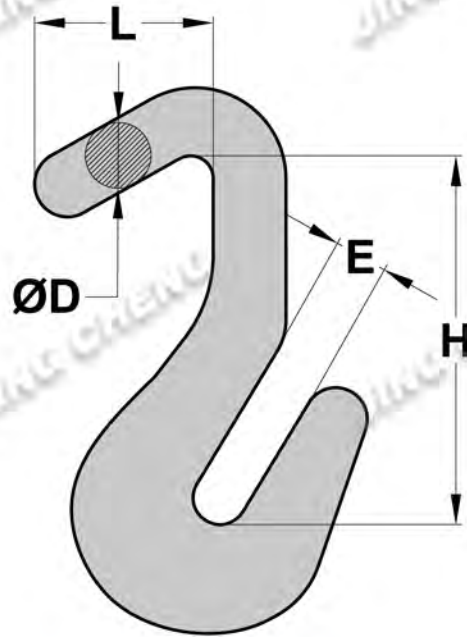
Item No.	Size (in)	Weight Each (kg)	Breaking Load Limit (t)	Dimensions (mm)		
				A	B	C
JCH220	5/16-3/8	0.32	8.5	14.4	107.1	16.1

CLUSTER HOOK RTJ



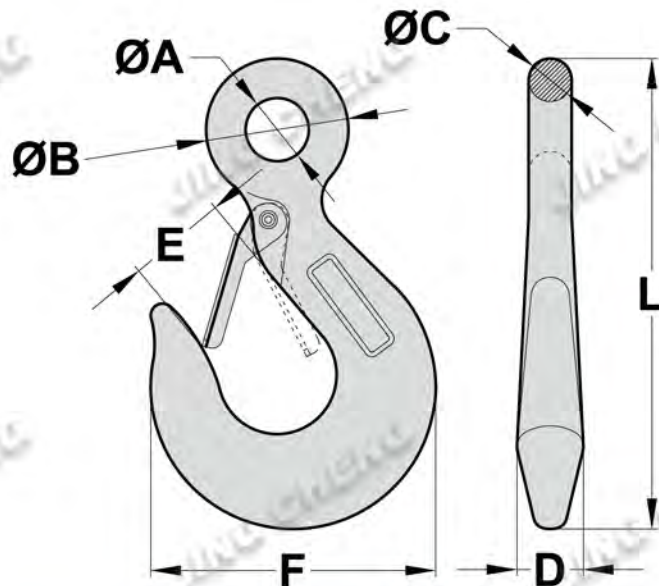
Item No.	Size	Weight Each (kg)	Breaking Load Limit (t)	Dimensions (mm)		
				A	B	Φ
JCH221	RTJ	1.03	5.3	74.0	32.0	11.0

LONG FALCATE HOOK S TYPE



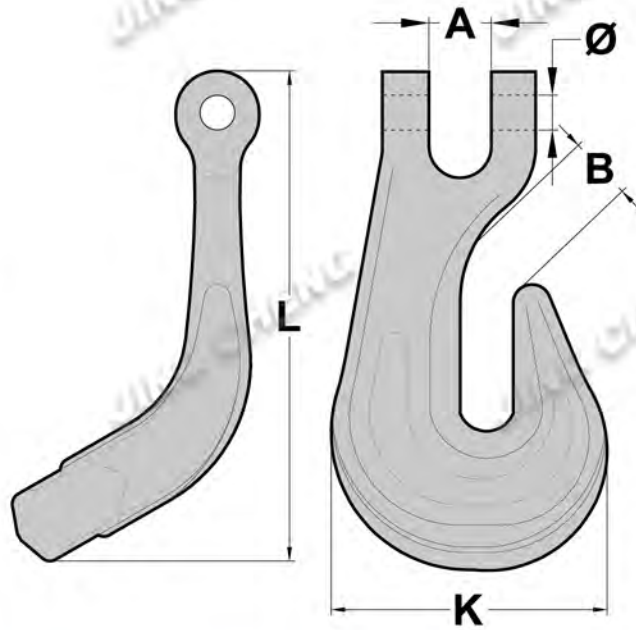
Item No.	Size	Weight Each (kg)	Breaking Load Limit (t)	Dimensions (mm)			
				D	E	L	H
JCH222	5.5T	0.32	5.72	14.5	11.8	47.2	86.6

DIN689 EYE HOOK WITH LATCH



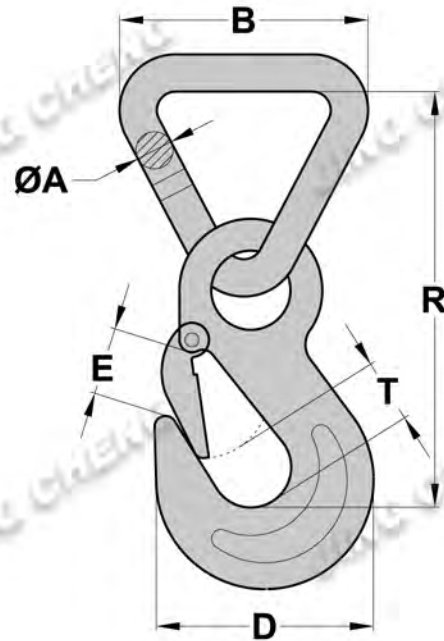
Item No.	Size (t)	Weight Each (kg)	Working Load Limit (t)	Dimensions (mm)						
				A	B	C	D	E	F	L
JCH223	0.25	0.16	0.25	12	27	7.5	13	17	52.5	88
JCH224	0.5	0.36	0.5	16	37	10	17.5	18	70	117
JCH225	1	0.98	1	20	47	13.5	24	29	98	160
JCH226	1.6	1.4	1.6	22	55	16.5	27	32	111	186
JCH227	2.5	3.1	2.5	25	67	21	37.6	42	145	233

CLEVIS GRAB BEND HOOK



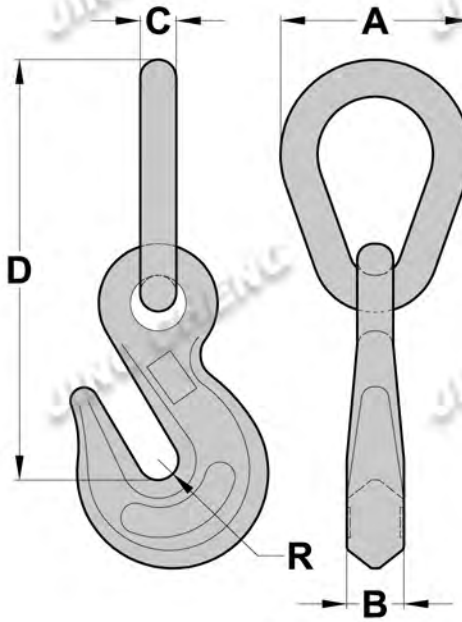
Item No.	Size (in)	Weight Each (kg)	Breaking Load Limit (t)	Dimensions (mm)				
				A	L	B	K	Φ
JCH228	5/16	0.45	4.54	11.0	120.5	11.8	58.0	12.0

TRIANGLE EYE SLIP HOOK WITH LATCH



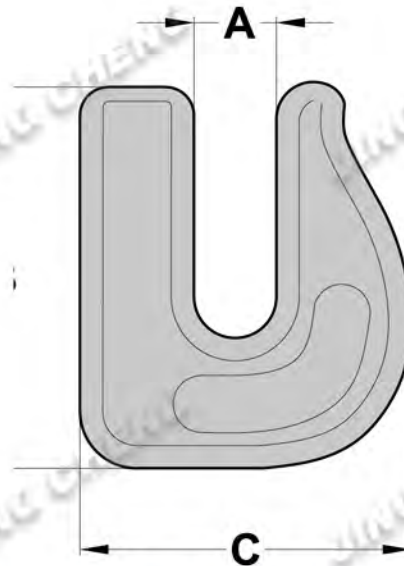
Item No.	Size	Weight Each (kg)	Breaking Load Limit (t)	Dimensions (mm)				
				B	D	E	R	T
JCH229	58	0.54	5	58.0	70.0	20.0	133.0	18.0
JCH230	83	0.60	5	83.0	70.0	20.0	155.0	18.0

SGH HOOK



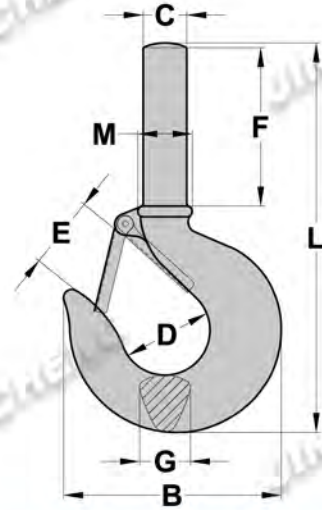
Item No.	Size (in)	Weight Each (kg)	Minimum Breaking Strength (t)	Dimensions (mm)				
				A	B	C	D	R
JCH231	3/8	0.6	5	62.5	17	11.7	129.8	11.5

WELDED HOOK



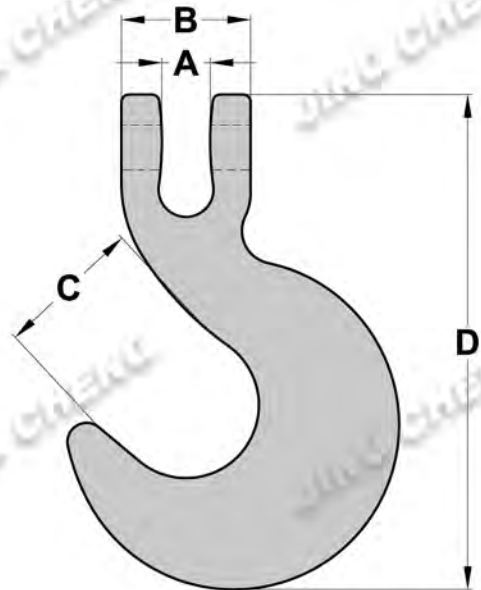
Item No.	Size (in)	Weight Each (kg)	Working Load Limit (lbs)	Dimensions (mm)		
				A	B	C
JCH232	5/16	0.21	4700	11.5	64.0	49.6
JCH233	3/8	0.40	6600	13.0	76.0	60.0
JCH234	1/2	0.79	11300	17.5	99.1	78.1
JCH235	5/8	1.50	15800	20.6	127.0	103.9

FORGED SHANK HOOK WITH LATCH



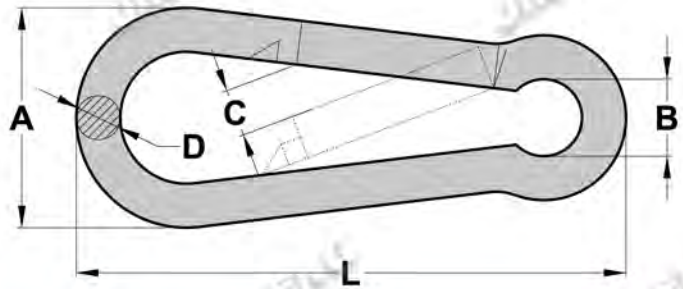
Item No.	Weight Each (kg)	WLL (t)		Dimensions (mm)							
		Carbon(4:1)	Alloy(5:1)	B±1	E±1	C±0.3	M±0.5	G±1.5	F±1	D±0.5	L±1.2
JCH236	0.23	1	0.75	73	25	15	18	16	51	32	127
JCH237	0.34	1.5	1	80.3	25.5	16.7	20	18	58	35	147
JCH238	0.45	2	1.5	92	30.4	18.4	23	22.5	67	38	165
JCH239	0.84	3	2	105	32	22.4	26	24	69	41.4	177.5
JCH240	1.75	5	3	126	38.5	29.5	32	29	82	51	216.5
JCH241	3.29	7	5	167	47	35.8	40	36	95.5	64	262.5
JCH242	6.1	11	7.5	192	61	46	51	47.7	111.2	76	323
JCH243	8.2	15	10	214.6	66	50.8	55.6	55.5	114	82.5	342
JCH244	16	22	15	262.5	89.5	65	68.8	68.5	141	108	426

G80 CONTAINER HOOK



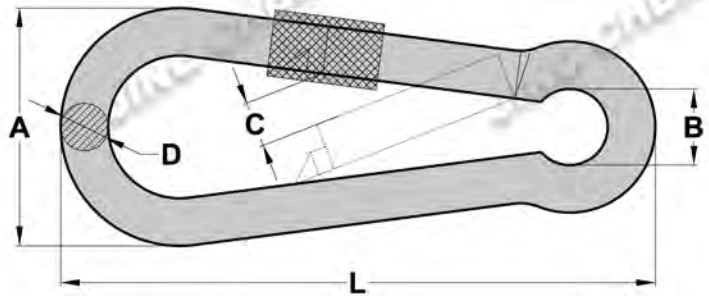
Item No.	Size	Weight Each (kg)	Working Load Limit (t)	Breaking Load Limit (t)	Dimensions (mm)			
					A	B	C	D
JCH245	13mm	1.41	5	20	17.6	47	53	180

DIN5299 FORM C SNAP HOOK



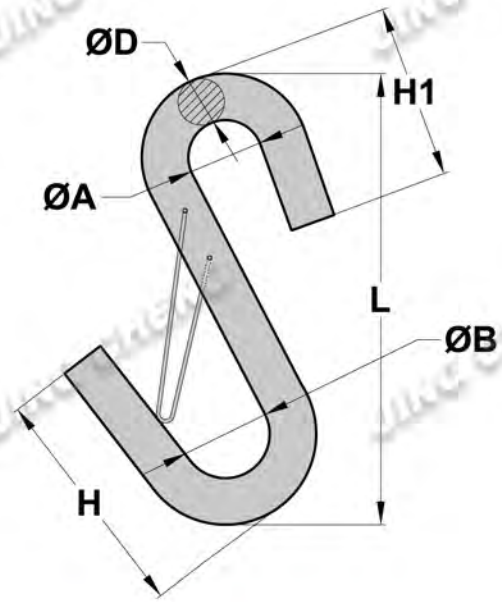
Item No.	Size (mm)	Weight Each (g)	Working Load Limit (lbs)	Dimensions (mm)				
				A	B	C	D	L
JCH246	4x40	6	200	20	7	7	4	40
JCH247	5x50	16	220	25	8	7	5	50
JCH248	6x60	28	260	30	9	8	6	60
JCH249	7x70	45	400	35	10	8	7	70
JCH250	8x80	63	500	40	12	9	8	80
JCH251	9x90	90	550	45	12	10	9	90
JCH252	10x100	125	770	50	16	11	10	100
JCH253	11x120	192	990	57	18	16	11	120
JCH254	12x140	250	1200	67	20	19	12	140
JCH255	13x160	350	1400	74	22	25	13	160
JCH256	14x180	455	1600	86	22	35	14	180
JCH257	15x200	618	1800	90	26	37	15	200

DIN5299 FORM D SNAP HOOK WITH SCREW



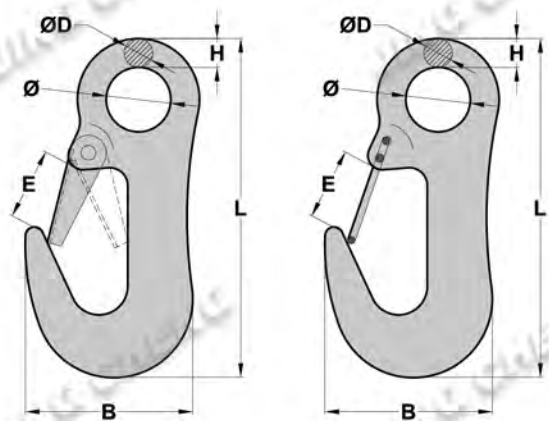
Item No.	Size (mm)	Weight Each (g)	Working Load Limit (lbs)	Dimensions (mm)				
				A	B	C	D	L
JCH258	5x50	20	220	25	8	7	5	50
JCH259	6x60	30	260	30	9	8	6	60
JCH260	7x70	50	400	35	10	8	7	70
JCH261	8x80	75	500	40	12	9	8	80
JCH262	9x90	98	550	45	12	10	9	90
JCH263	10x100	160	770	50	16	11	10	100
JCH264	11x120	210	990	57	18	16	11	120
JCH265	12x140	270	1200	67	20	19	12	140
JCH266	13x160	360	1400	74	22	25	13	160
JCH267	14x180	510	1600	86	22	35	14	180

S-HOOK WITH LATCH



Item No.	Size (in)	Weight Each (g)	Working Load Limit (lbs)	Dimensions (mm)					
				A	B	D	H	H1	L
JCH268	3/8	108	750	16	19	10	52	39	97
JCH269	7/16	167	1250	16	22	11	63	41	111

TOW HOOK



Item No.	Size	Weight Each (kg)	Breaking Load Limit (kn)	Dimensions (mm)					
				$\Phi \pm 1$	$B \pm 1.2$	$D \pm 0.8$	$H \pm 0.8$	$E \pm 1$	$L \pm 2$
JCH270	LATCH	0.175	3.5	18	46	9.5	8	19	91.5
JCH271	WIRE	0.165	3.5	18	46	9.5	8	19	91.5

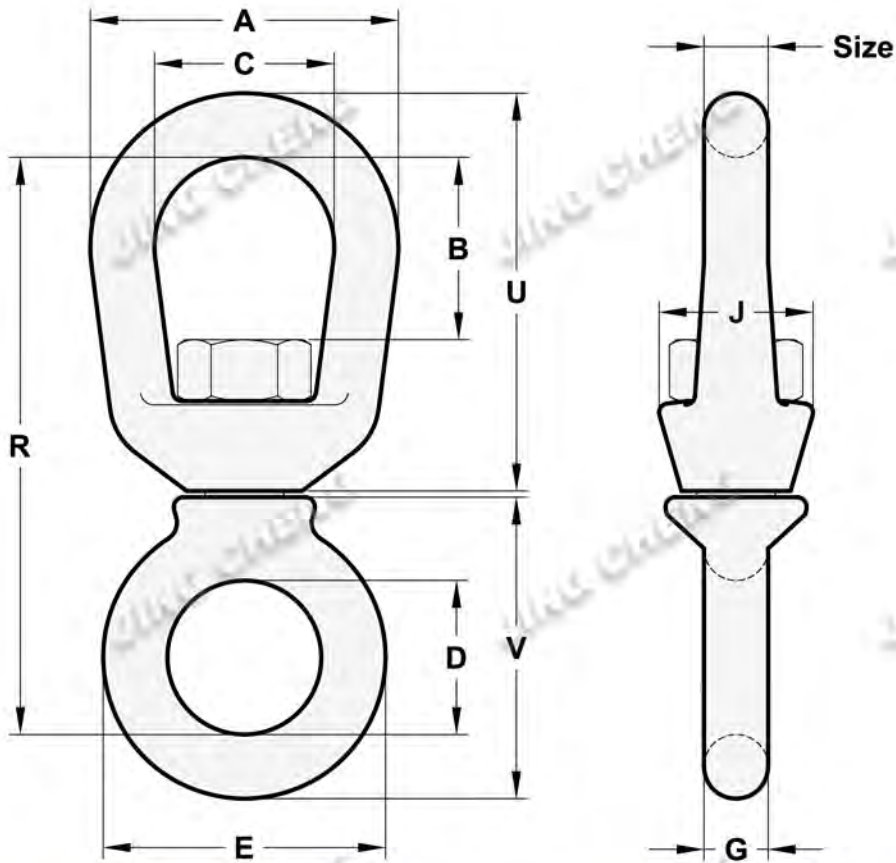
OTHER HOOKS

If you are in need of other types
not listed in our catalogue
please contact our sales department.

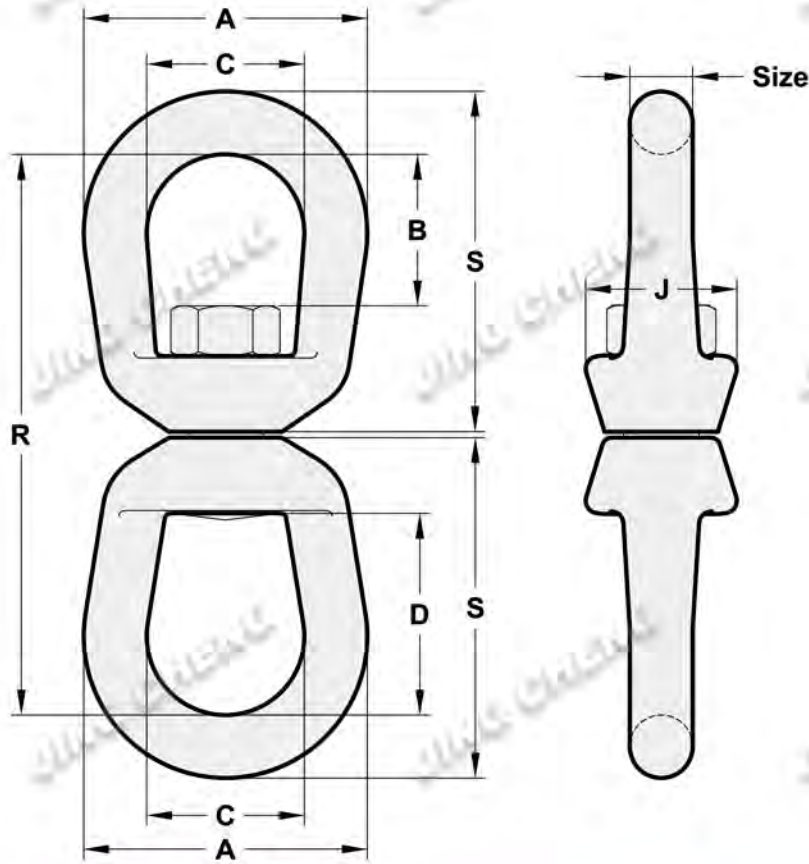




G401 CHAIN SWIVELS

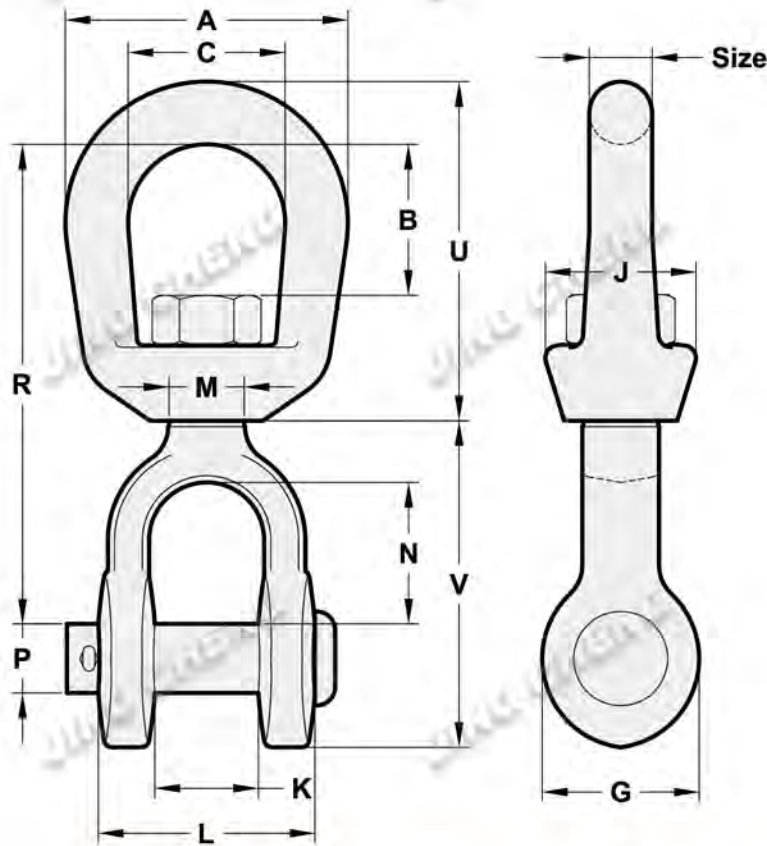


Item No.	Size (in)	Working Load Limit (lbs)	Weight Each (lbs)	Dimensions(in)										
				A	B	C	D	E	G	J	M	R	U	V
JCH272	1/4	850	0.13	1.25	0.69	0.75	0.62	1.12	0.25	0.69	0.31	2.25	1.69	1.25
JCH273	5/16	1250	0.25	1.63	0.81	1.00	0.75	1.38	0.31	0.81	0.38	2.72	2.06	1.47
JCH274	3/8	2250	0.54	2.00	0.94	1.25	1.00	1.75	0.38	1.00	0.50	3.44	2.50	1.88
JCH275	1/2	3600	1.12	2.50	1.31	1.50	1.25	2.25	0.50	1.31	0.63	4.25	3.19	2.44
JCH276	5/8	5200	2.09	3.00	1.56	1.75	1.50	2.75	0.62	1.50	0.75	5.13	3.88	2.94
JCH277	3/4	7200	3.09	3.50	1.75	2.00	1.75	3.25	0.75	1.88	0.88	5.78	4.94	3.46

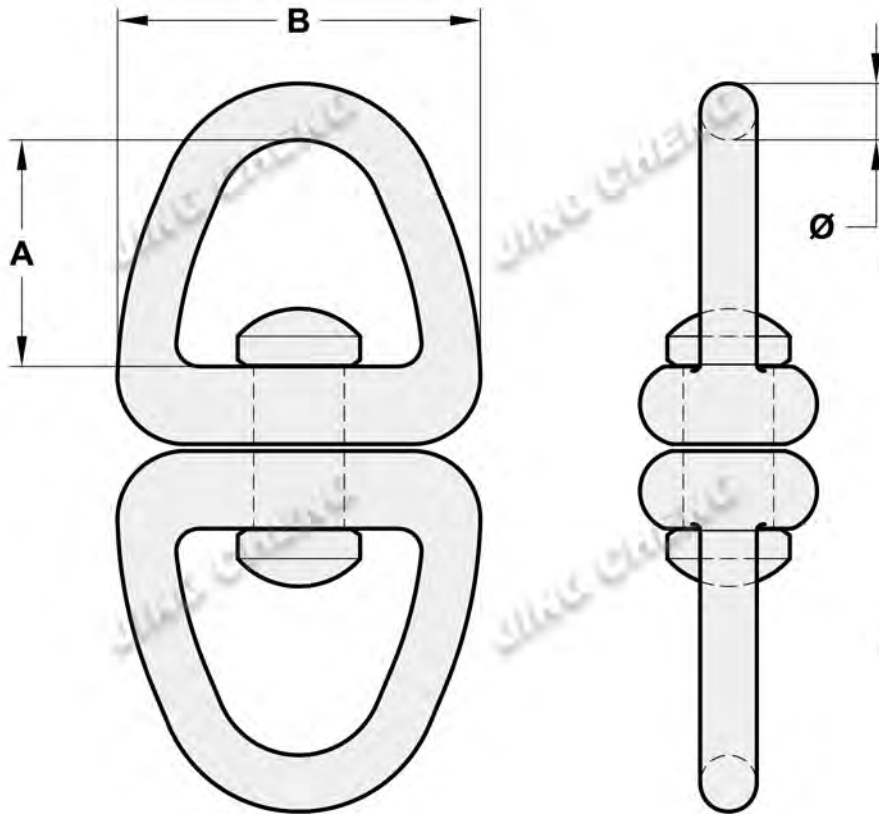


Item No.	Size (in)	Working Load Limit (lbs)	Weight Each (lbs)	Dimensions(in)							
				A	B	C	D	J	M	R	S
JCH278	1/4	850	0.21	1.25	0.69	0.75	1.06	0.69	0.31	2.94	1.69
JCH279	5/16	1250	0.39	1.63	0.81	1.00	1.25	0.81	0.38	3.56	2.06
JCH280	3/8	2250	0.71	2.00	0.94	1.25	1.50	1.00	0.50	4.31	2.50
JCH281	1/2	3600	1.32	2.50	1.31	1.50	2.00	1.31	0.38	5.44	3.19
JCH282	5/8	5200	2.49	3.00	1.56	1.75	2.38	1.50	0.75	6.56	3.88
JCH283	3/4	7200	4.02	3.50	1.79	2.00	2.63	1.88	0.88	7.19	4.31
JCH284	7/8	10000	6.25	4.00	2.06	2.25	3.06	2.13	1.00	8.38	5.00
JCH285	1	12500	8.95	4.50	2.31	2.50	3.50	2.38	1.13	9.63	5.75
JCH286	1-1/4	18000	16.37	5.63	2.69	3.13	3.69	3.00	1.50	11.44	6.75
JCH287	1-1/2	45200	45.79	7.09	3.88	4.09	3.88	3.75	2.25	16.69	9.91

G403 JAW SWIVELS

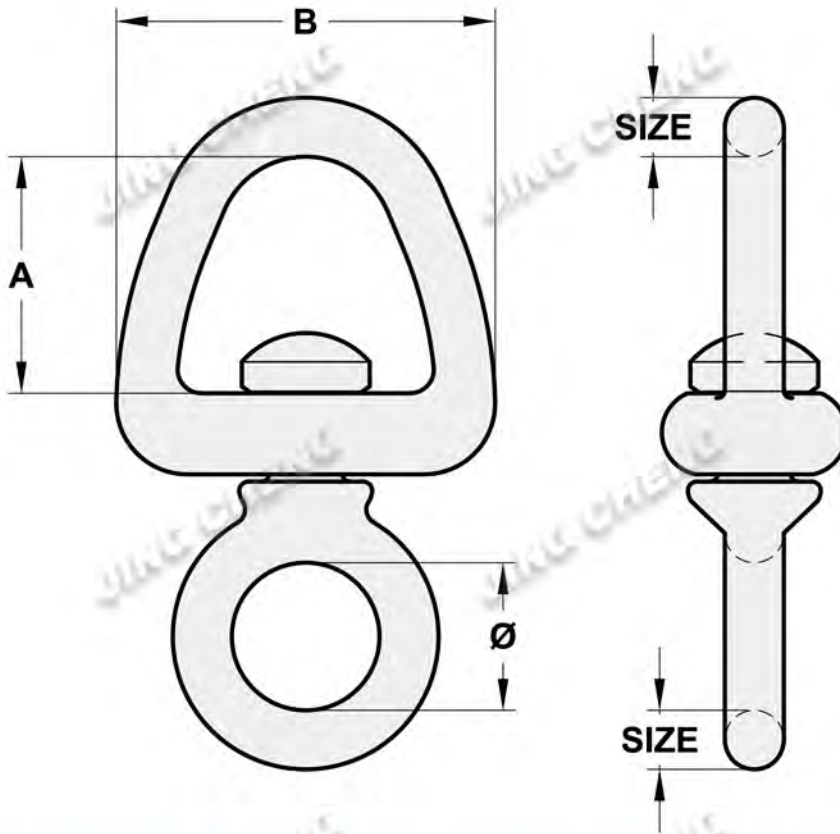


Item No.	Size (in)	Working Load Limit (lbs)	Weight Each (lbs)	Dimensions(in)												
				A	B	C	G	J	K	L	M	N	P	R	U	V
JCH288	1/4	850	0.21	1.25	0.69	0.75	0.69	0.69	0.47	1.03	0.31	0.88	0.25	2.63	1.69	1.69
JCH289	5/16	1250	0.34	1.63	0.81	1.00	0.81	0.81	0.50	1.13	0.38	0.88	0.31	2.94	2.06	1.81
JCH290	3/8	2250	0.66	2.00	0.94	1.25	1.00	1.00	0.63	1.41	0.50	1.06	0.38	3.63	2.50	2.25
JCH291	1/2	3600	1.34	2.50	1.31	1.50	1.31	1.31	0.75	1.75	0.63	1.31	0.50	4.50	3.19	2.88
JCH292	5/8	5200	2.48	3.00	1.56	1.75	1.63	1.50	0.94	2.06	0.75	1.50	0.63	5.31	3.88	3.44
JCH293	3/4	7200	3.88	3.50	1.75	2.00	1.88	1.88	1.13	2.53	0.88	1.75	0.75	6.06	4.31	4.00
JCH294	7/8	10000	5.87	4.00	2.06	2.25	2.13	2.13	1.34	2.79	1.00	2.06	0.88	7.00	5.00	4.53
JCH295	1	12500	9.84	4.50	2.31	2.50	2.63	2.88	1.75	3.72	1.13	2.81	1.13	8.56	5.75	5.94
JCH296	1-1/4	18000	15.75	5.69	2.69	3.13	3.13	3.00	2.06	4.31	1.63	2.81	1.38	9.75	7.06	6.38
JCH297	1-1/2	45200	54.75	7.00	3.88	4.00	5.63	4.00	2.88	6.00	2.25	4.44	2.25	14.25	10.00	10.84



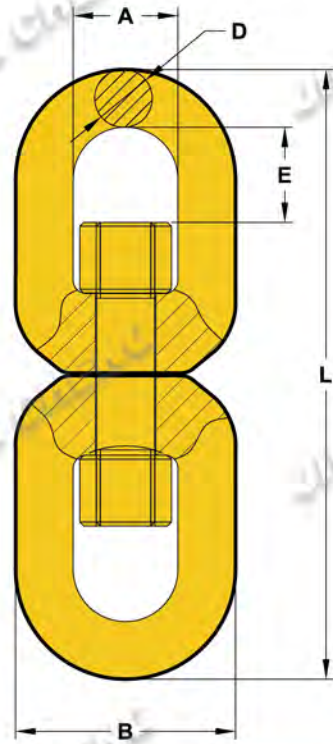
Item No.	Size (mm)	Working Load Limit (t)	Weight Each (kg)	Dimensions(mm)		
				A	B	Φ
JCH298	8	0.3	0.15	30	22	8
JCH299	10	0.7	0.25	38	29	10
JCH300	12	1.2	0.4	40	32	12
JCH301	14	2	0.6	46	36	14
JCH302	16	3	0.85	50	40	16
JCH303	18	3.5	1.2	55	46	18
JCH304	22	5	2	70	55	22
JCH305	24	6	3	80	64	24

FISHING SWIVELS FIXED TYPE



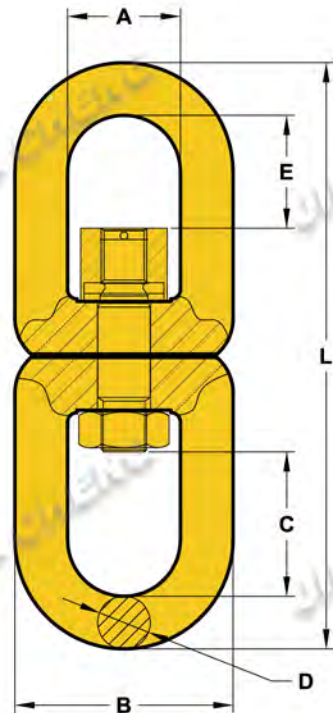
Item No.	Size (mm)	Working Load Limit (t)	Weight Each (kg)	Dimensions(mm)		
				A	B	Φ
JCH306	12	1.5	0.3	40	32	12
JCH307	14	2.5	0.45	45	38	14
JCH308	16	3	0.65	50	40	16
JCH309	18	3.5	0.85	56	42	18
JCH310	22	5	1.5	63	46	22
JCH311	24	6	2	68	50	24
JCH312	28	8	3	78	56	28

G80 SWIVEL



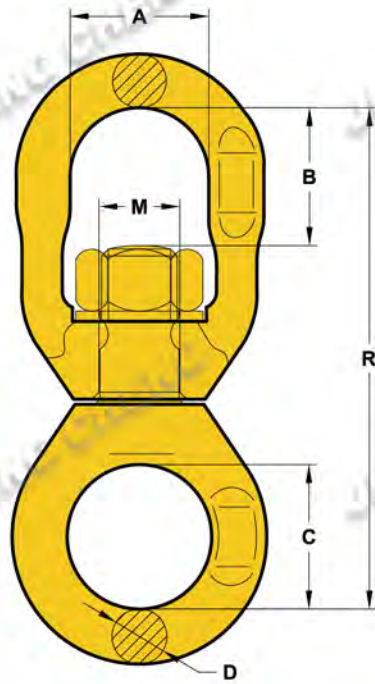
Item No.	Size (in)	Weight Each (kg)	Working Load Limit (t)	Breaking Load Limit (t)	Dimensions(mm)				
					A ± 1.2	B ± 1.5	E ± 1.5	L ± 3	D ± 1
JCH313	1-1/2	13.55	17	85	72	148	61	435	37
JCH314	1-3/4	15.95	25	125	80	168	68	464	43

G80 SWIVEL WITH BEARING



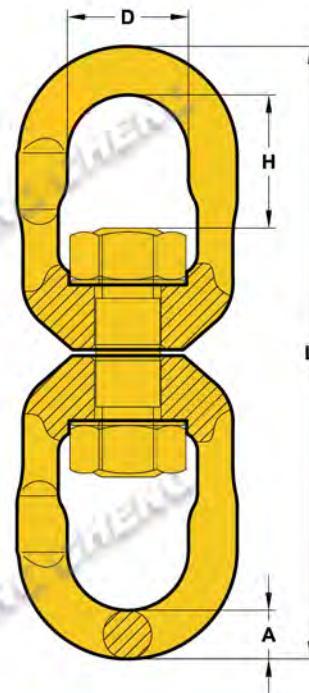
Item No.	Size	Weight Each (kg)	Working Load Limit (t)	Breaking Load Limit (t)	Dimensions(mm)					
					A ± 1	B ± 2	E ± 1.5	C ± 1.5	D ± 1	L ± 2
JCH315	10	1.85	3.15	12.6	38	76	34.5	51	19	209
JCH316	13	5.5	5.3	21.2	60	116	60	77	28	312

G80 EYE SWIVEL



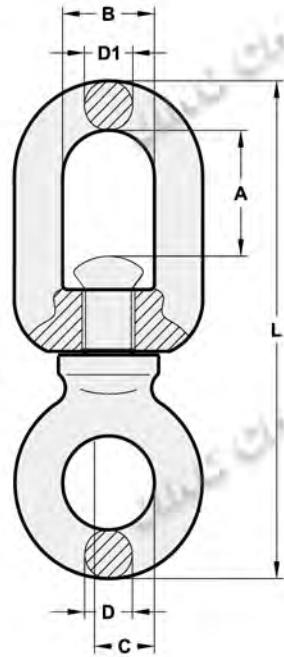
Item No.	Size	Weight Each (kg)	Working Load Limit (t)	Breaking Load Limit (t)	Dimensions(mm)					
					A ± 1.2	B ± 1.5	C ± 1	D ± 1	M	R ± 2.5
JCH317	10	1.35	3.15	12.6	42	40	42	16	22	146
JCH318	13	2.02	5.3	21.2	49	52.5	48	19	24	175
JCH319	16	4.1	8.0	32	60	63	60	23	30	215
JCH320	19	5.83	12.5	50	71	78	72	27	36	256

G80 REGULAR SWIVEL



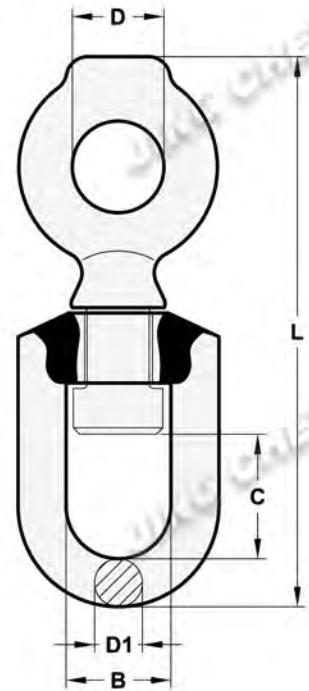
Item No.	Size	Weight Each (kg)	Working Load Limit (t)	Breaking Load Limit (t)	Dimensions(mm)			
					A ± 1	D ± 1	H ± 1.5	L ± 2
JCH321	7/8	0.6	2	8	12.5	35.5	28.5	164
JCH322	10	1.5	3.15	12.6	15	42	34.5	194.5
JCH323	13	1.75	5.3	21.2	21.2	50	43.5	216.5
JCH324	16	4.52	8	32	32	61	56	289

FORGED SWIVELS



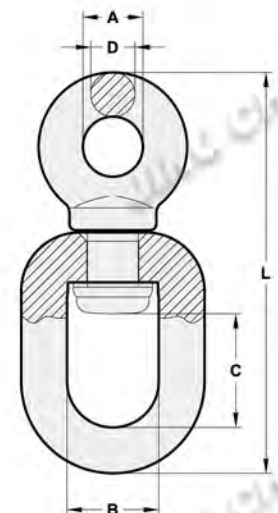
Item No.	Size (in)	Weight Each (kg)	Dimensions(mm)					
			A ± 1	B ± 0.5	C ± 1	D ± 0.5	D1 ± 0.5	L ± 2
JCH325	9/16	0.58	41	29.5	30.5	15	14	158
JCH326	5/8	0.85	45	34	34.5	16	16	176.5
JCH327	3/4	1.39	51	38	38	20	19	201.5

WELDED SWIVELS



Item No.	Size	Weight Each (kg)	WLL (t)	B.L (t)	Dimensions(mm)				
					D ± 1	B ± 1.5	C ± 1	D1 ± 1	L ± 2.5
JCH328	16	0.85	2.4	12	22	32	32	16	150
JCH329	19	1.33	3.8	19	28	40	42.5	19	188
JCH330	22	2.56	5.3	26.5	47	48	57	22	250
JCH331	25	4.0	7.2	36	37	53	63	25	265
JCH332	28	4.9	9.0	45	37	52	65	28	280

FORGED SWIVELS



Item No.	Size	Weight Each (kg)	WLL (t)	B.L (t)	Dimensions(mm)				
					A ± 1	B ± 1.2	C ± 2	D ± 1	L ± 2
JCH333	3T	4.4	3	12	38	58	70	29	254