

# JINGCHENG

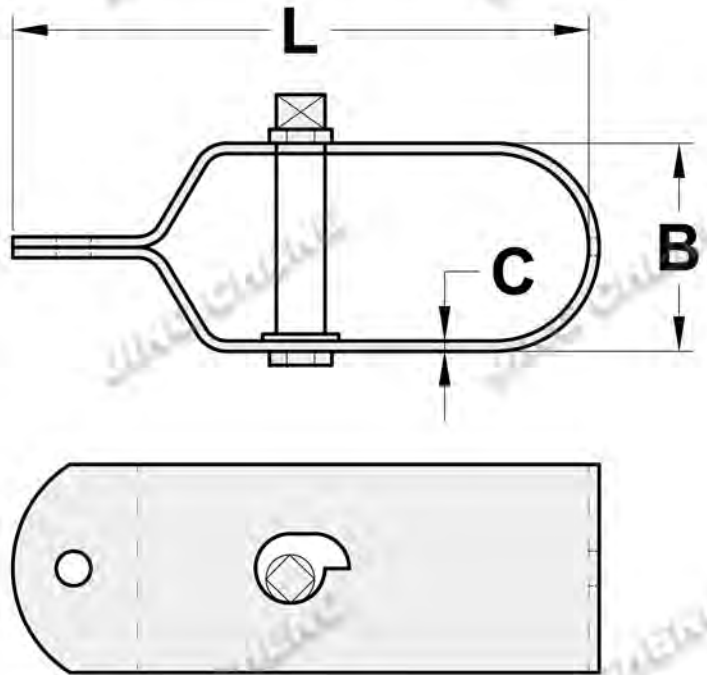
2022  
FORGING

# STAMPING & WELDING PARTS



Qingdao Jingcheng Forging Co., Ltd

[www.qdjcforging.com](http://www.qdjcforging.com)



Item No.	Size	Weight Each (g)	Dimensions (mm)			Finish
			B	C	L	
JCP001	EG-80#	68	30	1.5	83	Electric Galv.
JCP002	HG-80#	68	30	1.5	83	Hot Dipper Galv.
JCP003	PC-80#	68	30	1.5	83	Powder Coating
JCP004	EG-90#	75	30	1.5	92	Electric Galv.
JCP005	HG-90#	75	30	1.5	92	Hot Dipper Galv.
JCP006	PC-90#	75	30	1.5	92	Powder Coating
JCP007	EG-HD-90#	93	31	2	92	Electric Galv.
JCP008	HG-HD-90#	93	31	2	92	Hot Dipper Galv.
JCP009	PC-HD-90#	93	31	2	92	Powder Coating
JCP010	EG-WD-90#	85	30	1.5	92	Electric Galv.
JCP011	HG-WD-90#	85	30	1.5	92	Hot Dipper Galv.
JCP012	PC-WD-90#	85	30	1.5	92	Powder Coating
JCP013	EG-100#	100	31	2	103	Electric Galv.
JCP014	HG-100#	100	31	2	103	Hot Dipper Galv.
JCP015	PC-100#	100	31	2	103	Powder Coating
JCP016	EG-HD-100#	120	34	2	102	Electric Galv.
JCP017	HG-HD-100#	120	34	2	102	Hot Dipper Galv.
JCP018	PC-HD-100#	120	34	2	102	Powder Coating
JCP019	EG-110#	110	31	2	104	Electric Galv.
JCP020	HG-110#	110	31	2	104	Hot Dipper Galv.
JCP021	PC-110#	110	31	2	104	Powder Coating
JCP022	EG-120#	180	44	2	122	Electric Galv.
JCP023	HG-120#	180	44	2	122	Hot Dipper Galv.
JCP024	PC-120#	180	44	2	122	Powder Coating
JCP025	EG-FP-85#	75	33	1.5	85	Electric Galv.
JCP026	EG-FP-100#	90	33	1.5	100	Electric Galv.



## WIRE TENSIONER



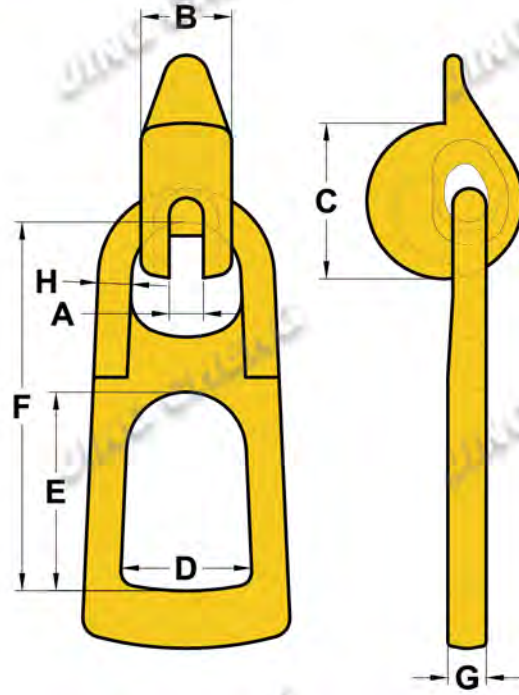
# JING CHENG

## WIRE TENSIONER



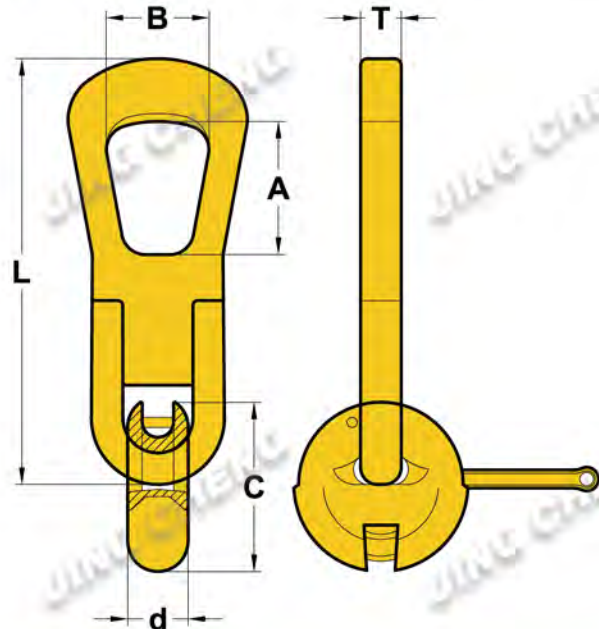


## LIFTING CLUTCH FOR CONCRTE LIFTING



Item No.	Size	Weight Each (kg)	Dimensions (mm)							
			A	B	C	D	E	F	G	H
JCP027	1T-1.3T	0.9	12	32	55	43	69.5	128.5	12	12
JCP028	1.5T-2.5T	1.35	16	39	65	55	83	154	16	14

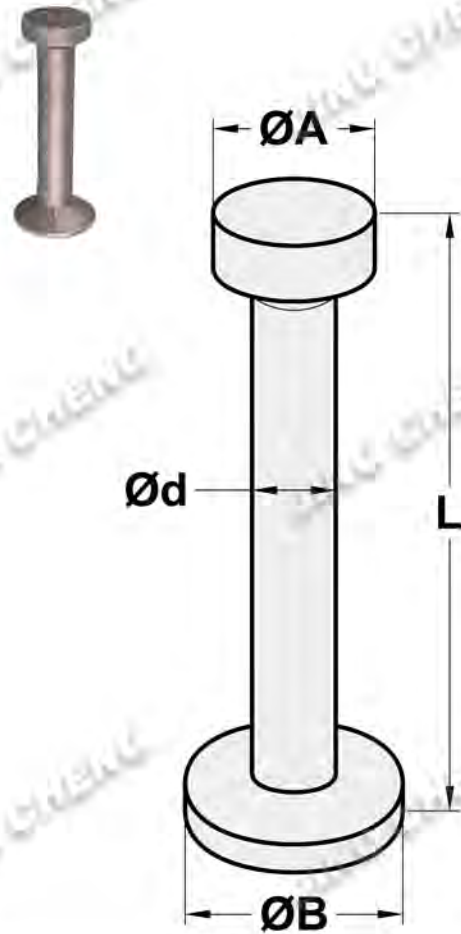
## LIFTING RING CLUTCH FOR CONCRTE LIFTING



Item No.	Size (T)	Load Group (t)	Dimensions (mm)					
			A	B	C	d	T	L
JCP029	2.5	2.5	70	58	80	27	12	265
JCP030	5	5	86	65	105	36	16	330
JCP031	10	10	112	90	150	50	25	425
JCP032	26	26	160	120	206	72	30	605

## SWIFT LIFTING FOOT ANCHOR

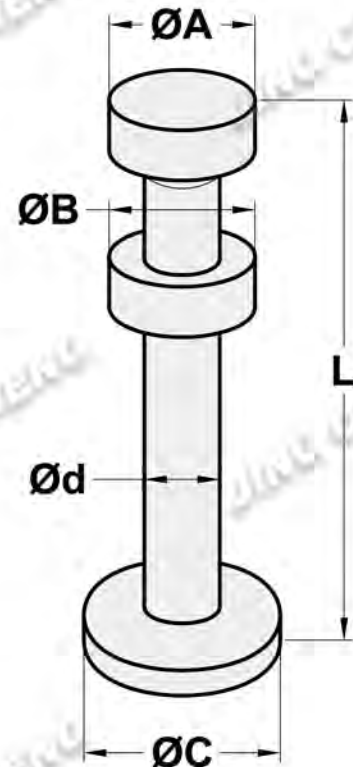
Item No.	Size	Load Group (t)	Dimensions (mm)			
			A	B	d	L
JCP033	1.3 × 55	1.3	19	25	10	55
JCP034	1.3 × 65	1.3	19	25	10	65
JCP035	1.3 × 85	1.3	19	25	10	85
JCP036	1.3 × 120	1.3	19	25	10	120
JCP037	2.5 × 55	2.5	26	35	14	55
JCP038	2.5 × 85	2.5	26	35	14	85
JCP039	2.5 × 120	2.5	26	35	14	120
JCP041	2.5 × 170	2.5	26	35	14	170
JCP042	5 × 75	5	36	50	20	75
JCP043	5 × 95	5	36	50	20	95
JCP044	5 × 120	5	36	50	20	120
JCP045	5 × 240	5	36	50	20	240
JCP046	7.5 × 120	7.5	46	60	24	120
JCP047	7.5 × 170	7.5	46	60	24	170
JCP048	10 × 120	10	46	70	28	120
JCP049	10 × 170	10	46	70	28	170
JCP050	13 × 300	13	69	85	34	300
JCP051	20 × 300	20	70	98	39	300



## DOUBLE HEAD LIFTING FOOT ANCHOR

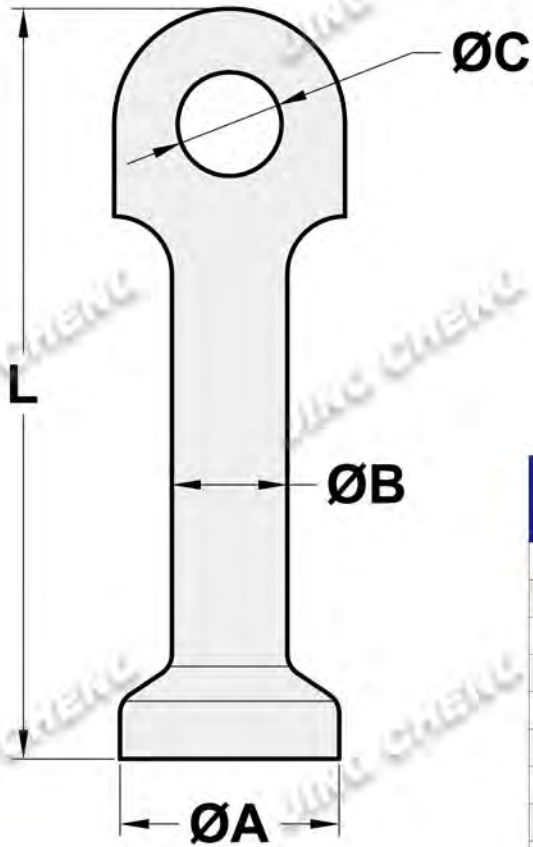


Item No.	Size	Load Group (t)	Dimensions (mm)				
			A	B	C	d	L
JCP052	1.3 × 55	1.3	19	19	25	10	55
JCP053	1.3 × 85	1.3	19	19	25	10	85
JCP054	1.3 × 120	1.3	19	19	25	10	120
JCP055	2.5 × 85	2.5	26	26	35	14	85
JCP056	2.5 × 120	2.5	26	26	35	14	120
JCP057	2.5 × 170	2.5	26	26	35	14	170
JCP058	5 × 75	5	36	36	50	20	75
JCP059	5 × 120	5	36	36	50	20	120
JCP060	5 × 240	5	36	36	50	20	240



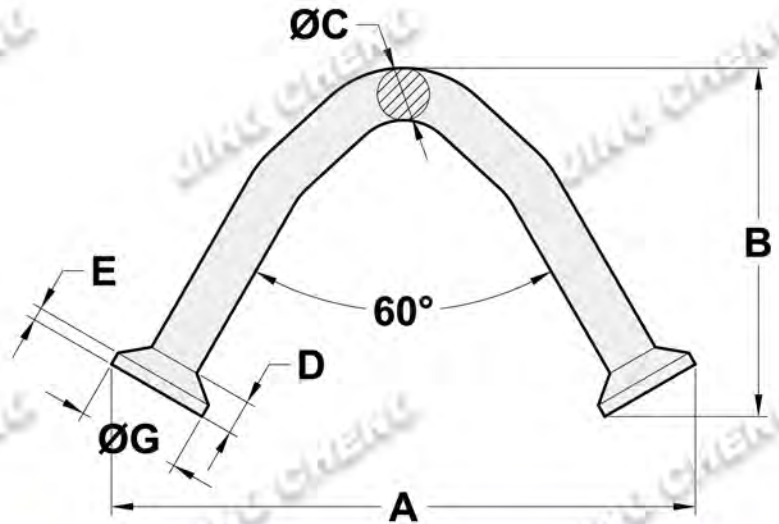


## LIFTING EYE ANCHOR

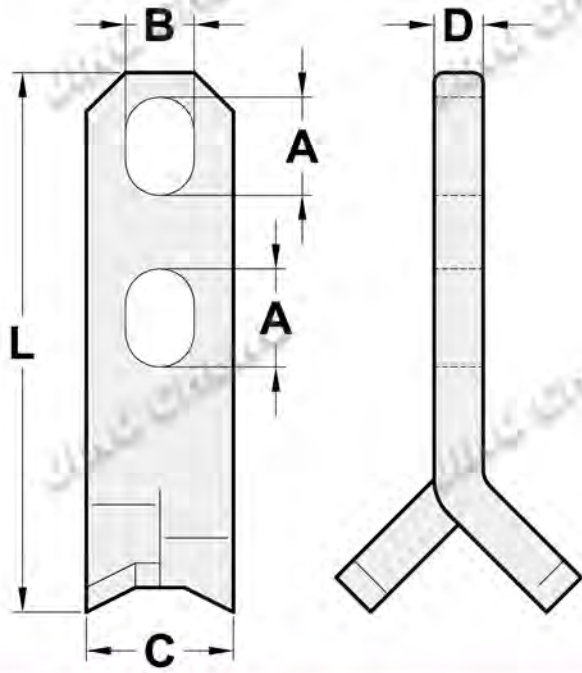


Item No.	Size	Load Group (t)	Dimensions (mm)			
			A	B	C	L
JCP061	1.3 × 55	1.3	19	10	9	55
JCP062	2.5 × 90	2.5	26	14	13	90
JCP063	2.5 × 120	2.5	26	14	13	120
JCP064	5 × 90	5	36	20	18	90
JCP065	5 × 120	5	36	20	18	120
JCP066	10 × 115	10	47	28	25	115
JCP067	10 × 180	10	47	28	25	180
JCP068	20 × 250	20	70	39	37	250
JCP069	32 × 300	32	88	50	47	300

## UTILITY ANCHOR



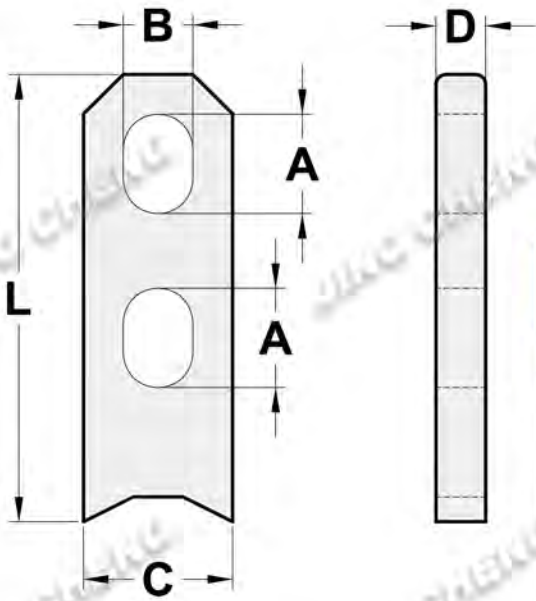
Item No.	Size (T)	W.L.L (T)	Dimensions (mm)					
			A	B	C	D	E	G
JCP070	0.8	0.8	134	80	12	8	3	24
JCP071	1.8	1.8	152	95	12	8	3	24
JCP072	2	2	181	120	12	8	3	24
JCP073	3.5	3.5	173	95	17	11	3	41
JCP074	5	5	188	120	17	11	3	41
JCP075	7.5	7.5	254	170	17	11	3	41



Item No.	Designation Mill Finish	Load Group (t)	Dimensions (mm)				
			A	B	C	D	L
JCP076	0.7x11	2.5	20	14	30	5	110
JCP077	1.4x11	2.5	20	14	30	6	110
JCP078	1.4x16	2.5	20	14	30	6	160
JCP079	2x13	2.5	20	14	30	8	130
JCP080	2x16	2.5	20	14	30	8	160
JCP081	2x21	2.5	20	14	30	8	210
JCP082	2.5x15	2.5	20	14	30	10	150
JCP083	2.5x20	2.5	20	14	30	10	200
JCP084	2.5x25	2.5	20	14	30	10	250
JCP085	3x16	5	22	18	40	10	160
JCP086	3x20	5	22	18	40	10	200
JCP087	3x28	5	22	18	40	10	280
JCP088	4x18	5	22	18	40	12	180
JCP089	4x24	5	22	18	40	12	240
JCP090	4x32	5	22	18	40	12	320
JCP091	5x18	5	22	18	40	15	180
JCP092	5x24	5	22	18	40	15	240
JCP093	5x40	5	22	18	40	15	400
JCP094	6x22	10	31	26	60	12	220
JCP095	6x26	10	31	26	60	12	260
JCP096	6x34	10	31	26	60	12	340
JCP097	7.5x26	10	31	26	60	16	260
JCP098	7.5x30	10	31	26	60	16	300
JCP099	7.5x34	10	31	26	60	16	420
JCP100	10x30	10	31	26	60	20	300
JCP101	10x37	10	31	26	60	20	370
JCP102	10-52	10	31	26	60	20	520
JCP103	10x37	26	45	35	80	20	370
JCP104	12x46	26	45	35	80	20	460
JCP105	22x50	26	45	35	80	26	500
JCP106	22x62	26	45	35	80	26	620

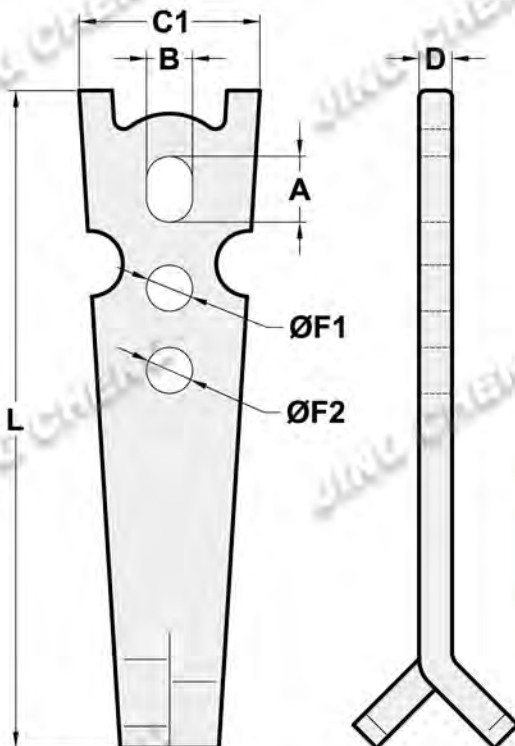


## TWO HOLE ANCHOR



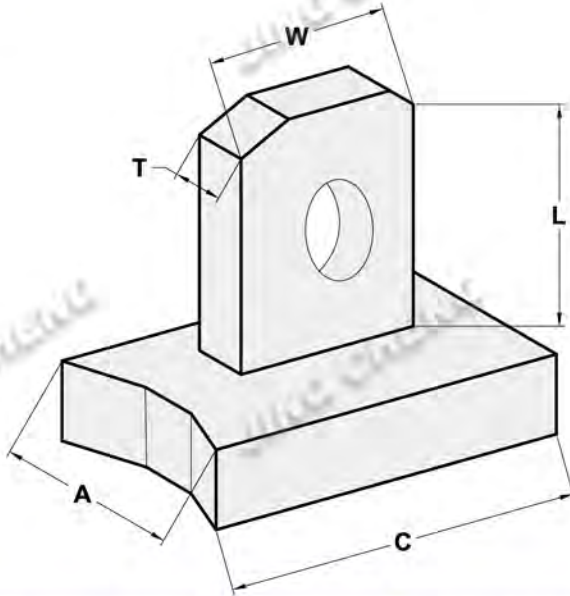
Item No.	Designation Mill Finish	Load Group (t)	Dimensions (mm)				
			A	B	C	D	L
JCP107	1.4x9	2.5	20	14	30	5	90
JCP108	2x9	2.5	20	14	30	6	90
JCP109	2.5x9	2.5	20	14	30	8	90
JCP110	3x9	2.5	20	14	30	10	90
JCP111	3x12	5	22	18	40	10	120
JCP112	4x12	5	22	18	40	12	120
JCP113	5x12	5	22	18	40	15	120
JCP114	6x16	10	31	26	60	12	160
JCP115	7.5x16	10	31	26	60	16	160
JCP116	10x16	10	31	26	60	20	160
JCP117	14x24	26	45	35	80	20	240

## ERECTION ANCHOR



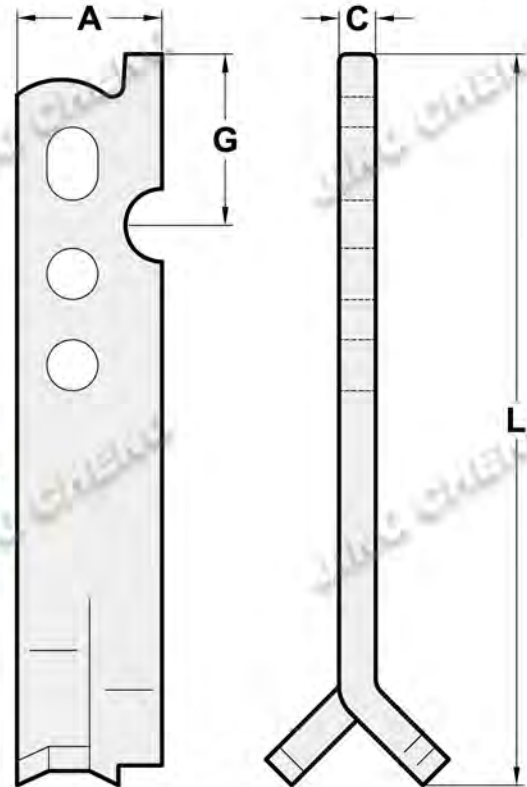
Item No.	Designation Mill Finish	Load Group (t)	Dimensions (mm)						
			A	B	C1	D	F1	F2	L
JCP118	1.4x20	2.5	20	14	55	6	15	15	200
JCP119	2.5x23	2.5	20	14	55	10	15	15	230
JCP120	4x27	5	22	18	70	12	18	18	270
JCP121	5x29	5	22	18	70	15	18	18	290
JCP122	7.5x32	10	31	26	95	15	25	25	320
JCP123	10x39	10	31	26	95	20	25	25	390

## REINFORCED PLATE ANCHOR



Item No.	Size (t)	S.W.L (kg)	Dimensions (mm)				
			A	C	W	T	L
JCP124	2.5T	1814	95	32	32	10	57
JCP125	5T	3628	76	38	38	13	76
JCP126	5T	3628	76	38	38	13	89
JCP127	5T	3628	98	38	38	16	111
JCP128	10T	4535	32	64	60	20	181

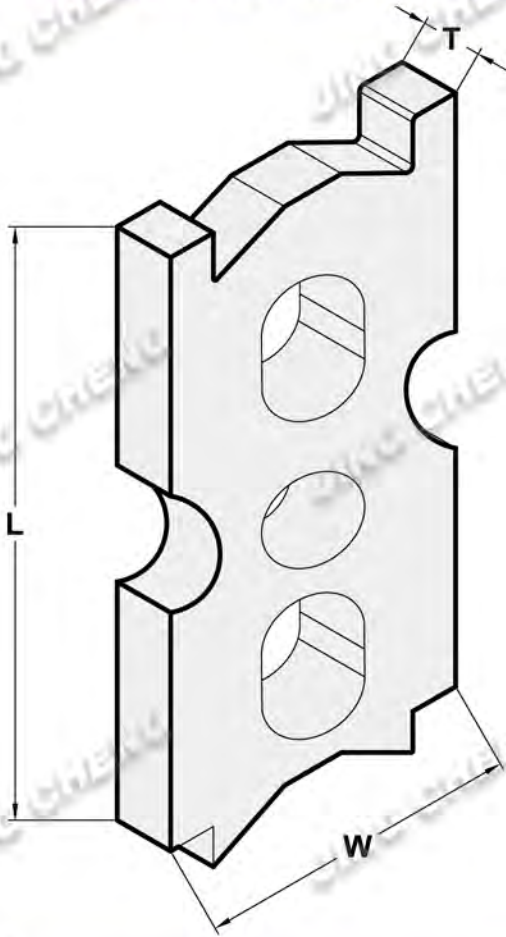
## UNILATERAL ERECTION ANCOR



Item No.	Designation Mill Finish	Load Group (t)	Dimensions (mm)			
			A	C	L	G
JCP129	1.4x20	2.5	40	6	200	42.2
JCP130	2.5x23	2.5	40	10	230	42.5
JCP131	4x27	5	55	12	270	50.5
JCP132	5x29	5	55	15	290	50.5
JCP133	7.5x32	10	80	15	320	78
JCP134	10x39	10	80	20	390	78
JCP135	12.5x50	26	115	20	500	88.5
JCP136	17x50	26	115	25	500	88.5
JCP137	22x50	26	115	30	500	88.5

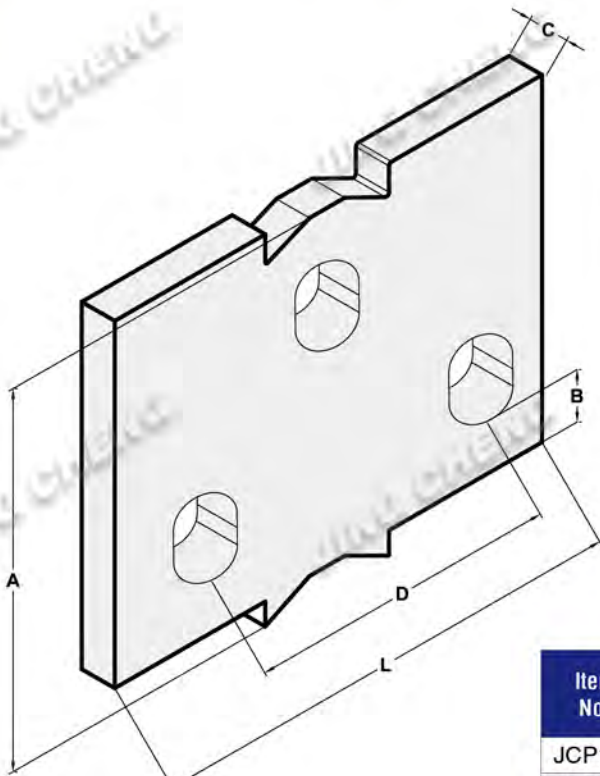


## TWO HOLE ERECTION ANCHOR



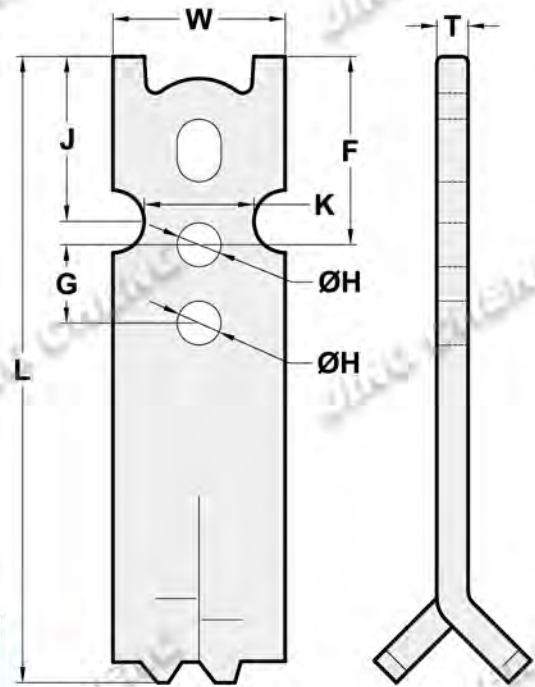
Item No.	Size (t)	S.W.L (lbs)	Clutch ID	Dimensions (in)		
				L	W	T
JCP138	2	4000	2-2.5T	4	2	3/8
JCP139	2.5	5000	2-2.5T	4	2	3/8
JCP140	4	8000	4-5T	7	2-1/2	5/8
JCP141	5	10000	4-5T	7	2-1/2	5/8
JCP142	8	16000	8-10T	7	3-1/2	3/4
JCP143	8	16000	8-10T	13-1/2	3-1/2	3/4
JCP144	10	20000	8-10T	7	3-1/2	3/4
JCP145	10	20000	8-10T	13-1/2	3-1/2	3/4

## SANDWICH PANEL ERECTION ANCHOR



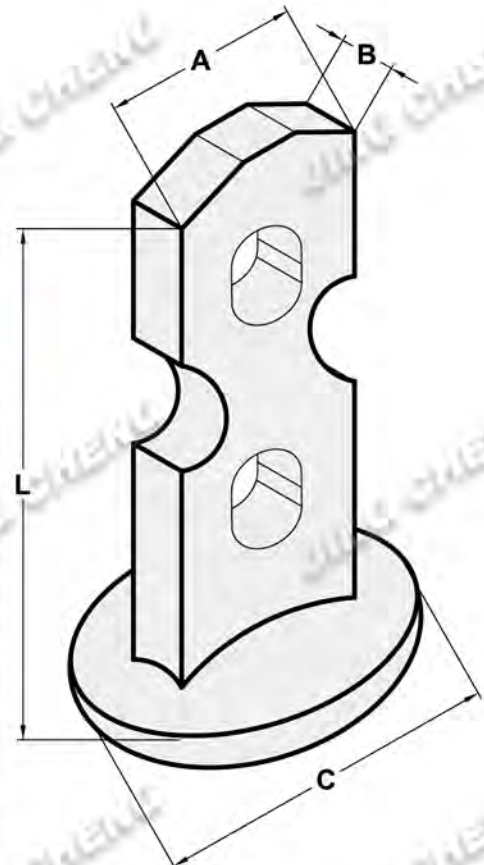
Item No.	Size (t)	Weight Each (lbs)	Clutch ID	Dimensions (in)				
				A	B	C	D	L
JCP146	4	3.1	4-5T	3-1/2	1-3/8	5/8	3-3/4	6
JCP147	5	3.2	4-5T	3-1/2	1-3/8	5/8	3-3/4	6
JCP148	8	5.25	8-10T	4-3/4	2-29/32	3/4	4	6
JCP149	10	6.25	8-10T	4-3/4	2-29/32	3/4	4	6

## ERECTION ANCHOR



Item No.	Size	Load Group (t)	Dimensions (mm)							
			L	W	T	J	K	H	G	F
JCP150	2.5	2.5	203	50	10	46	35	14	29	57
JCP151	5	5	267	64	16	64	46	46	32	81
JCP152	7.5	10	325	95	16	62	62	62	44	102
JCP153	10	10	325	95	20	81	65	65	44	102

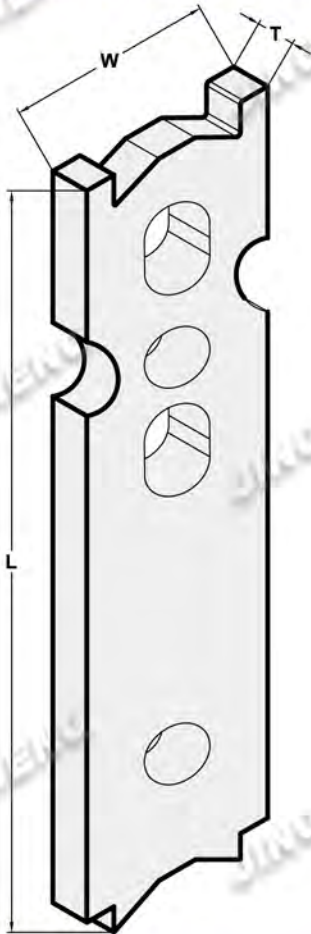
## DROP FORGED FOOT ANCHOR



Item No.	Anchor Tonnage (t)	S.W.L Tension (lbs)	Clutch ID	Dimensions (in)			
				L	A	B	C
JCP154	2.5	3900	2-2.5T	3-1/2	1-5/16	3/8	1-1/2
JCP155	2.5	4400	2-2.5T	4	1-5/16	3/8	1-1/2
JCP156	2.5	4400	2-2.5T	4-1/2	1-5/16	3/8	1-1/2
JCP157	2.5	4500	2-2.5T	5-1/2	1-5/16	3/8	1-1/2
JCP158	2.5	5500	2-2.5T	6-3/4	1-5/16	3/8	1-1/2
JCP159	5	4400	4-5T	3-1/2	1-13/16	5/8	2-1/4
JCP160	5	6200	4-5T	4-1/2	1-13/16	5/8	2-1/4
JCP161	5	6200	4-5T	4-3/4	1-13/16	5/8	2-1/4
JCP162	5	8800	4-5T	5-1/2	1-13/16	5/8	2-1/4
JCP163	5	11000	4-5T	9-1/2	1-13/16	5/8	2-1/4
JCP164	10	6200	8-10T	4-3/4	2-5/8	3/4	2-7/8
JCP165	10	8500	8-10T	5-1/2	2-5/8	3/4	2-7/8
JCP166	10	12500	8-10T	7	2-5/8	3/4	2-7/8
JCP167	10	22000	8-10T	10	2-5/8	3/4	2-7/8

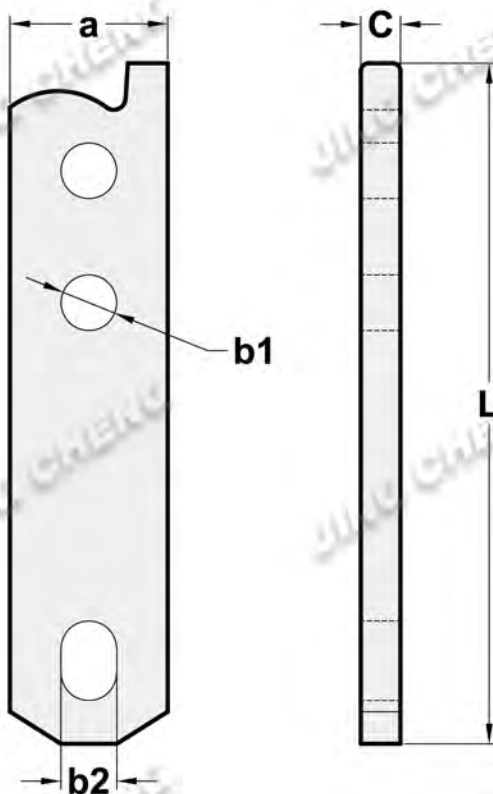


## FOOT ERECTION ANCHOR



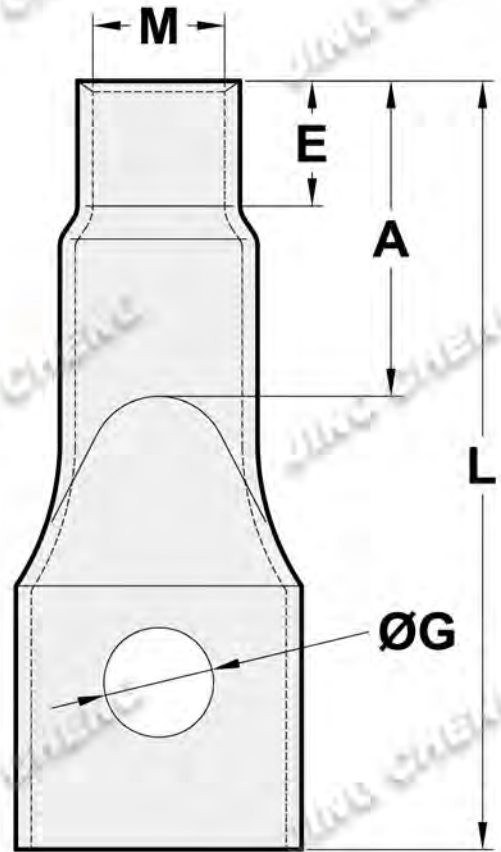
Item No.	Anchor Tonnage (t)	S.W.L Tension (lbs)	Clutch ID	Dimensions (in)		
				W	L	T
JCP168	2T	4000	2-2.5T	2	2	3/8
JCP169	4T	8000	4-5T	2-1/2	9-1/2	5/8
JCP170	8T	16000	8-10T	3-1/2	13-1/2	3/4

## SANDWICH PANEL ANCHOR



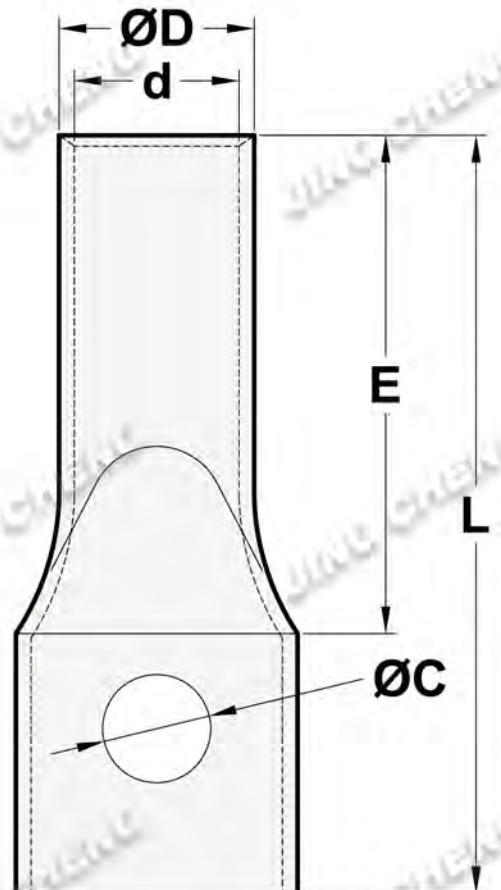
Item No.	Designation Mill Finish	Load Group (t)	Dimensions (mm)				
			a	b1	b2	C	L
JCP171	2.5x25	2.5	40	14	18	10	250
JCP172	5x30	5	60	17.5	26	16	300
JCP173	7.5x30	10	80	25	35	16	350
JCP174	10x35	10	80	25	35	20	350
JCP175	17x40	26	100	30	35	20	400

## FIXING SOCKETS WITH CROSS HOLE



Item No.	Size	Load Group (kg)	Dimensions (mm)				
			M	L	E	A	G
JCP176	M6×35	300	6	35	6	17	6.2
JCP177	M8×40	360	8	40	8	20	6.2
JCP178	M10×45	400	10	45	10	20	6.2
JCP179	M10×60	400	10	60	10	24	6.2
JCP180	M12×55	600	12	55	12	25	10.2
JCP181	M12×65	600	12	65	12	25	10.2
JCP182	M16×70	950	16	70	16	25	10.2
JCP183	M16×80	950	16	80	16	25	10.2
JCP184	M16×100	1100	16	100	16	32	10.2
JCP185	M16×120	1100	16	120	16	32	10.2
JCP186	M20×100	1700	20	100	20	40	13.2
JCP187	M20×120	1700	20	120	20	40	13.2
JCP188	M24×120	2000	24	120	24	50	13.2
JCP189	M30×150	2400	30	150	30	70	13.2

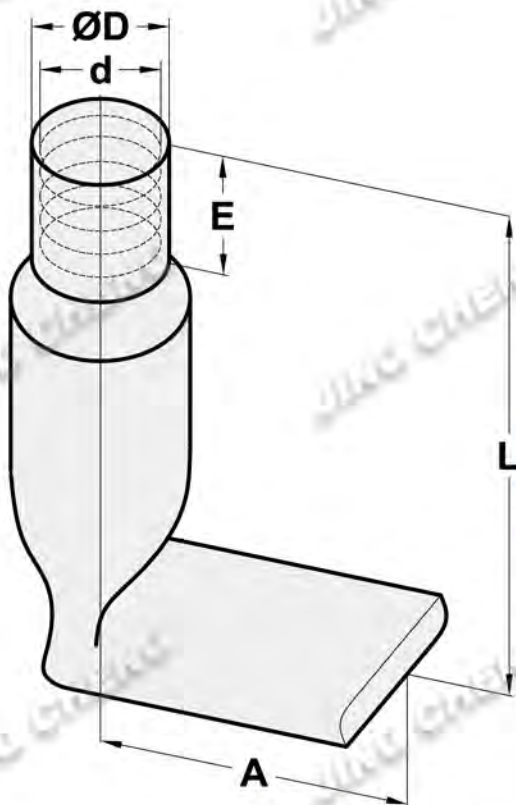
## FIXING SOCKETS DOWEL WITH HOLE



Item No.	Size	Load Group (kg)	Dimensions (mm)				
			d	D	L	E	C
JCP190	M12×50	350	12	15	50	22	10.3
JCP191	M12×60	500	12	15	60	22	10.3
JCP192	M16×80	1200	16	21	80	27	13.3
JCP193	M20×100	2000	20	27.2	100	35	15.3
JCP194	M24×110	2500	24	31	110	35	17.3
JCP195	M30×135	4000	30	39.5	135	50	22.5

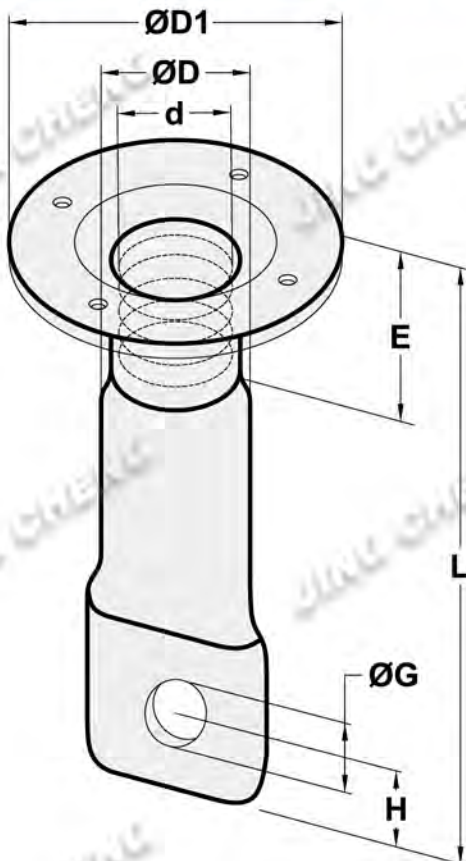


## FIXING SOCKETS WITH BENDED END



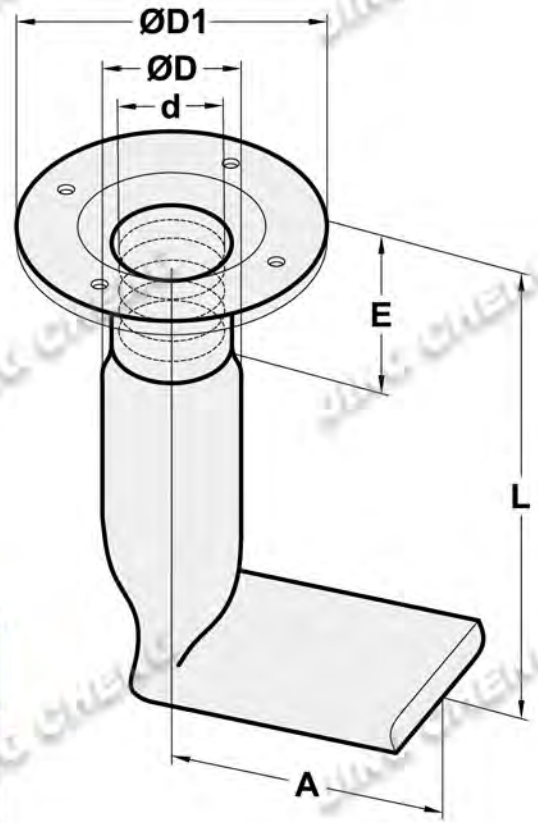
Item No.	Size	SWL (kg)	Dimensions (mm)				
			d	D	L	E	A
JCP196	M8×50	300	8	11	50	8	20
JCP197	M10×60	600	10	13	60	10	25
JCP198	M12×45	400	12	16	45	12	25
JCP199	M12×70	800	12	16	70	12	30
JCP200	M16×60	800	16	22	60	16	30
JCP201	M16×100	1300	16	22	100	16	35
JCP202	M20×70	1200	20	27	70	20	30
JCP203	M20×100	1600	20	27	100	20	35
JCP204	M24×80	1600	24	32	80	24	35

## FIXING SOCKETS WITH HOLE AND NAILING PLATE



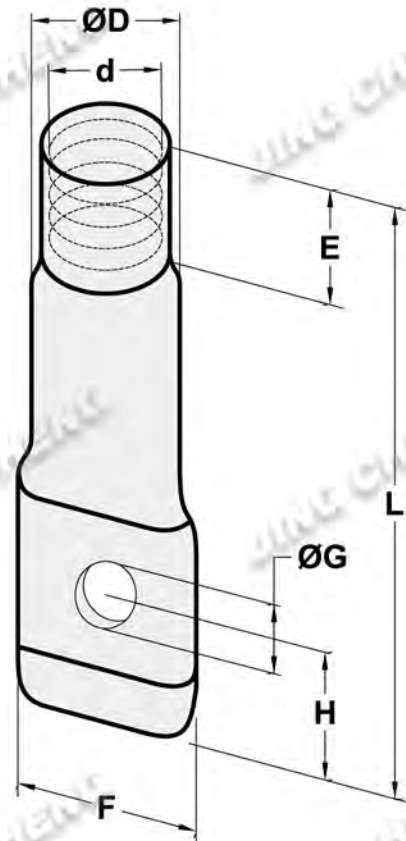
Item No.	Size	SWL (kg)	Dimensions (mm)						
			d	D	D1	E	L	G	H
JCP205	M10×50	350	10	13	34	10	50	6.2	12
JCP206	M12×70	500	12	16	40	12	70	7.2	17
JCP207	M16×80	800	16	22	44	16	80	12.2	22
JCP208	M16×100	1000	16	22	44	16	100	9.2	22
JCP209	M20×100	1250	20	27	48	20	100	12.2	22
JCP210	M24×120	1800	24	32	57	24	120	14.2	25

## FIXING SOCKETS WITH BENDED END WITH NAILING PLATE



Item No.	Size	SWL (kg)	Dimensions (mm)					
			d	D	D1	E	L	A
JCP211	M10×60	600	10	13	34	10	60	25
JCP212	M12×70	800	12	16	40	12	70	30
JCP213	M16×100	1300	16	22	44	16	100	35
JCP214	M20×100	1600	20	27	48	20	100	35

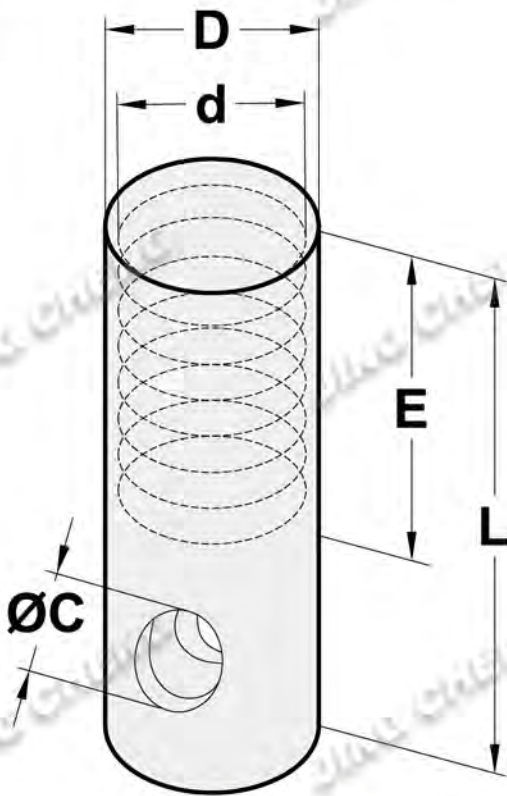
## CAST-IN SOCKET WITH CRIMPED END



Item No.	Size	SWL (kg)	Dimensions (mm)						
			d	D	E	L	G	H	F
JCP215	M8×40	250	8	11	8	40	7	8	16
JCP216	M8×50	250	8	11	8	50	7	8	16
JCP217	M10×50	350	10	13	10	50	6.2	11	19
JCP218	M12×60	500	12	16	12	60	9.2	13	23
JCP219	M16×80	800	16	22	16	80	12	20	31
JCP220	M16×100	1000	16	22	16	100	9.2	20	31
JCP221	M20×100	1250	20	27	20	100	14	23	39
JCP222	M24×100	1800	24	32	24	120	14	28	45

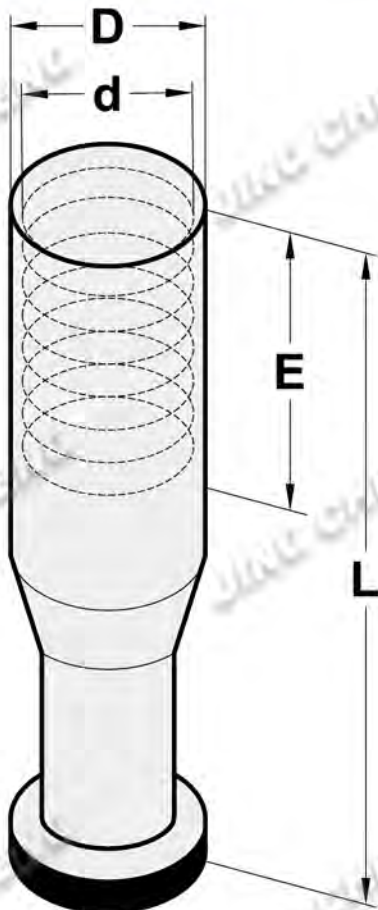


## LIFTING ROUND THREAD SOCKET PLATED



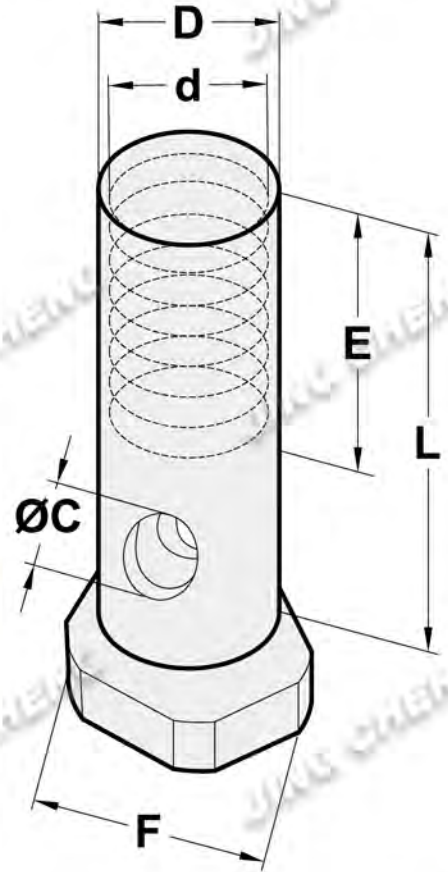
Item No.	Size	SWL (kg)	Dimensions (mm)				
			d	D	C	E	L
JCP223	M12×40	500	M12×1.75	15	8	20	40
JCP224	M14×47	800	M14×2	18	11	25	47
JCP225	M16×55	1200	M16×2	21	13	27	55
JCP226	M18×65	1600	M18×2.5	24	13	34	65
JCP227	M20×67	2000	M20×2.5	27.2	15.5	35	67
JCP228	M24×77	2500	M24×3	31	18	43	77
JCP229	M30×105	4000	M30×3.5	39.5	22.5	56	105
JCP230	M35×125	6300	M35×4	47	27	68	125
JCP231	M42×145	8000	M42×4.5	54	32	80	145
JCP232	M52×195	12500	M52×5	67.2	40	97	195

## CROWN FOOT ANCHOR



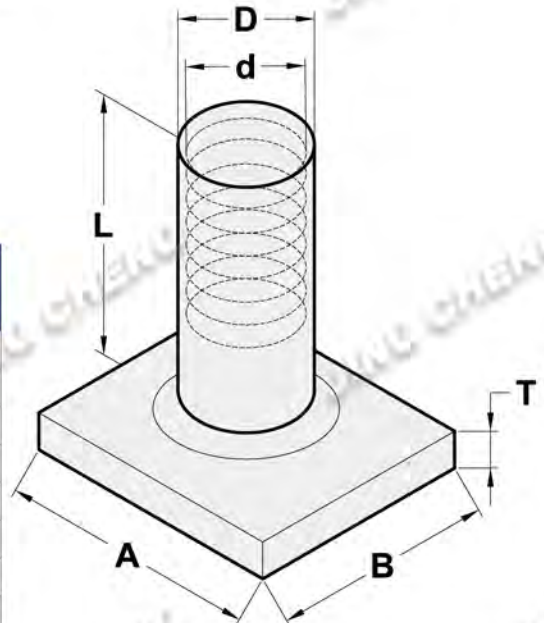
Item No.	Item Code	SWL (kg)	Dimensions (mm)			
			d	D	E	L
JCP233	M12×60	500	M12×1.75	17	24	60
JCP234	M14×70	800	M14×2	19	28	70
JCP235	M16×80	1200	M16×2	21	32	80
JCP236	M18×90	1600	M18×2.5	24	36	90
JCP237	M20×100	2000	M20×2.5	27	40	100
JCP238	M24×115	2500	M24×3	31	48	115
JCP239	M30×150	4000	M30×3.5	40	60	150

## ELEPHANT FOOT FERRULE



Item No.	Size	SWL (kg)	Dimensions (mm)					
			d	D	C	E	F	L
JCP240	M10×45	400	10	15	8	18	17	45
JCP241	M12×75	500	12	17	8	22	21	75
JCP242	M16×95	1200	16	22	10	25	24	95
JCP243	M20×95	2000	20	28	10	27	26	95
JCP244	M24×95	2500	24	32	12	34	33	95
JCP245	M30×125	3000	30	40	12	35	34	125

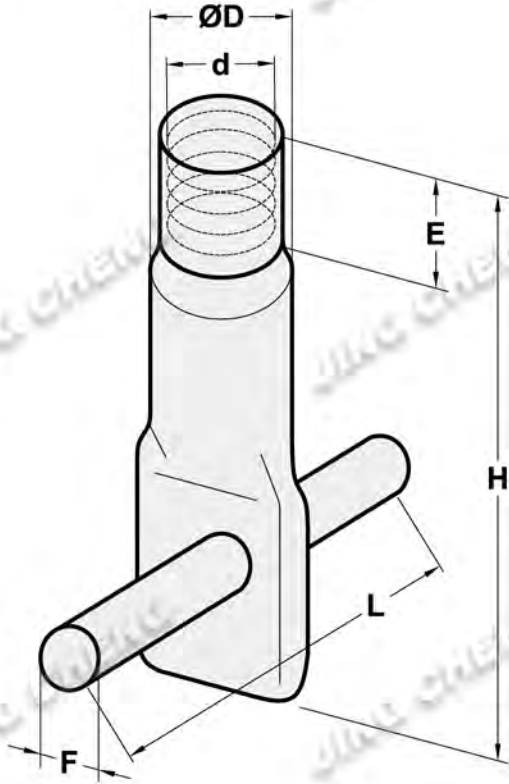
## FLAT PLATE SOCKET



Item No.	Size	SWL (kg)	Dimensions (mm)					
			d	D	A	B	T	L
JCP246	M12×30	500	M12×1.75	15	25	35	4	30
JCP247	M14×33	800	M14×2	18	35	35	4	33
JCP248	M16×35	1200	M16×2	21	35	50	4	35
JCP249	M18×44	1600	M18×2.5	24	45	60	5	44
JCP250	M20×47	2000	M20×2.5	27	60	60	5	47
JCP251	M24×54	2500	M24×3	31	60	80	5	54
JCP252	M30×72	4000	M30×3.5	40	80	100	6	72
JCP253	M36×47	6300	M36×4	47	100	130	6	84
JCP254	M42×54	8000	M42×4.5	54	130	130	8	98
JCP255	M52×117	12500	M52×5	67	130	150	10	117

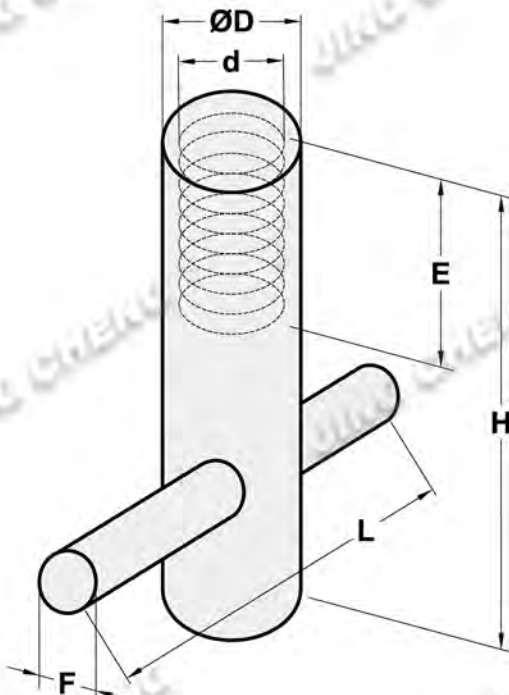


## FIXING SOCKETS WITH CROSS PIN



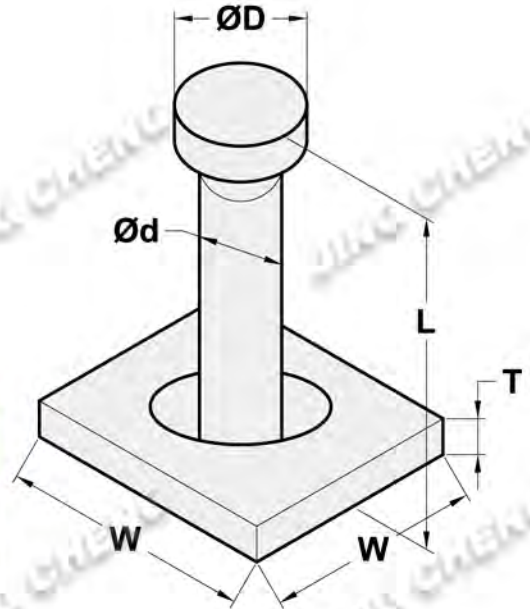
Item No.	Size	WLL (kn)	Dimensions (mm)					
			d	D	E	H	F	L
JCP256	M12×60	5	12	17	13	60	10	50
JCP257	M16×80	8	16	22.5	17	80	12	50
JCP258	M16×100	10	16	22.5	17	100	12	50
JCP259	M20×95	12	20	27	20	95	14	85
JCP260	M20×115	13	20	27	20	115	14	85
JCP261	M24×120	18	24	32	24	120	14	85
JCP262	M30×150	27.5	30	40	30	150	16	100

## FIXING SOCKETS WITH CROSS BAR



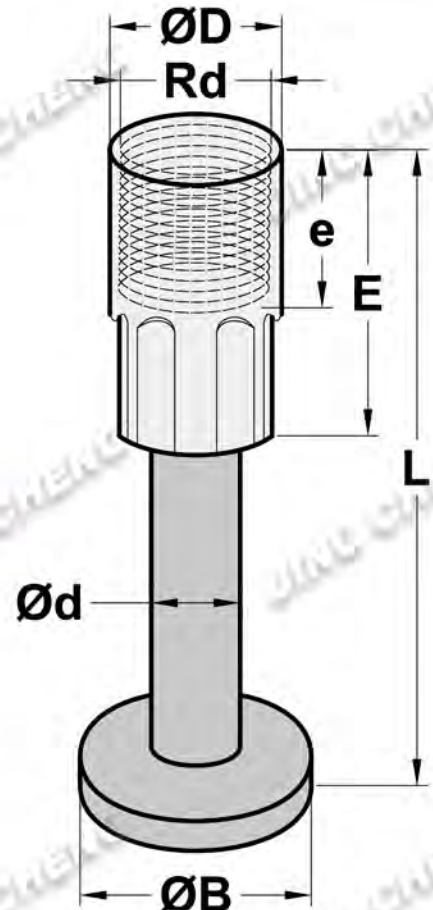
Item No.	Size	WLL (kg)	Dimensions (mm)					
			d	D	E	H	F	L
JCP263	M10×42	600	10	16	22	42	6/8	50
JCP264	M12×50	900	12	18	20	50	10	75
JCP265	M12×75	900	12	18	40	75	10	75
JCP266	M16×75	1700	16	23	40	75	10/12	75
JCP267	M20×75	2300	20	28	35	75	12/14	90
JCP268	M24×100	3000	24	32	55	100	16	100

## LIFTING STUD WITH FLAT PLATE



Item No.	Size	Load Group (t)	Dimensions (mm)				
			d	D	T	W	L
JCP269	2.5x55	2.5	14	26	6	70	55
JCP270	2.5x120	2.5	14	26	6	70	120
JCP271	5x55	5	20	36	8	90	55
JCP272	5x65	5	20	36	8	90	65
JCP273	5x110	5	20	36	8	90	110
JCP274	10x115	10	28	46	10	90	115

## COMPACT ANCHOR



Item No.	Size	WLL (kg)	Dimensions (mm)						
			d	D	Rd	e	E	B	L
JCP275	M12x100	500	8	17	12	22	43	20	100
JCP276	M14x155	800	10	18	14	25	45	25	155
JCP277	M16x175	1200	10	21	16	27	60	25	175
JCP278	M18x225	1600	14	24	18	35	65	35	225
JCP279	M20x250	2000	14	27	20	35	67	35	250
JCP280	M24x275	2500	14	31	24	43	75	35	275
JCP281	M30x350	4000	20	40	30	56	90	50	350
JCP282	M36x450	6300	25	48	36	68	105	60	450
JCP283	M42x500	8000	28	54	42	75	125	70	500



If you are in need of other types  
not listed in our catalogue  
please contact our sales department.















