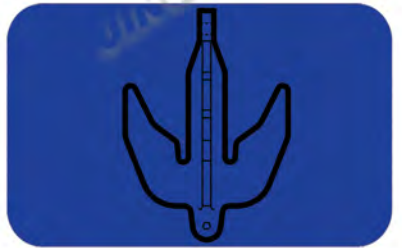
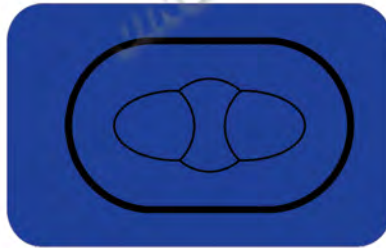
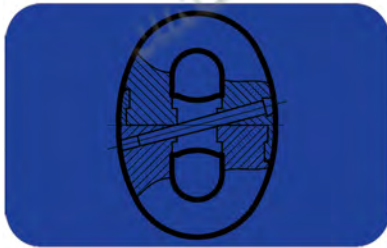
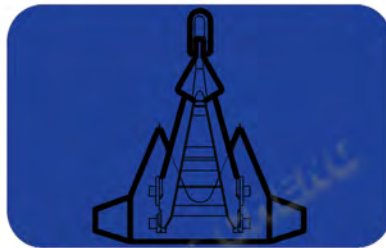


JINGCHENG

2022
FORGING

MARINE OUTFITTINGS



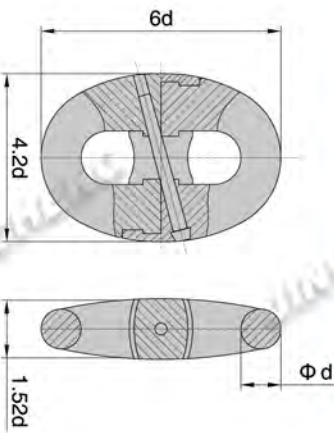
Qingdao Jingcheng Forging Co., Ltd

www.qdjcforging.com

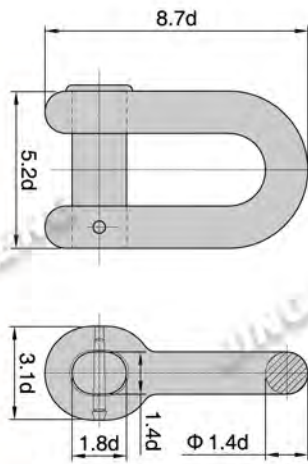
DRAWING OF PRODUCTS



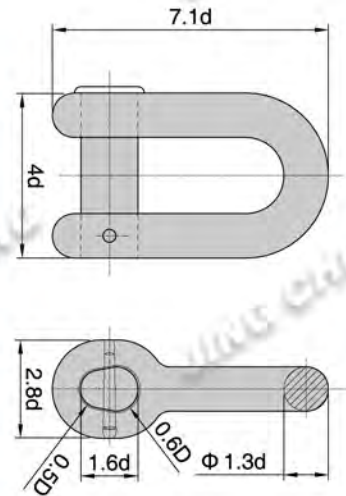
KENTER SHACKLE = KS



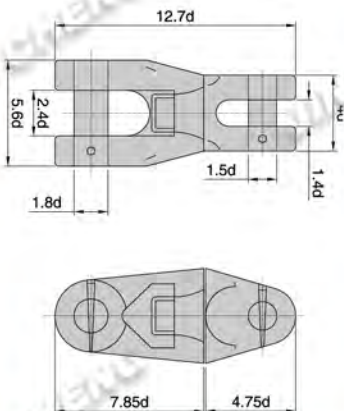
ANCHOR SHACKLE = A.S



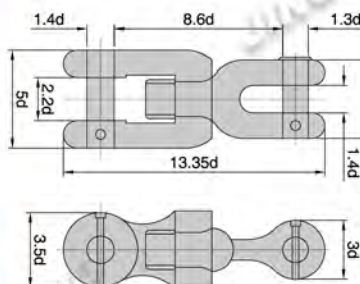
JOINING SHACKLE = JS



ANCHOR SWIVEL SHACKLE
(a) = A.SW.Sb(a)



ANCHOR SWIVEL SHACKLE
(b) = A.SW.Sb(b)



Buoy Shackle Type "A"

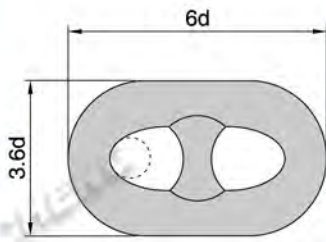


Buoy Shackle Type "B"

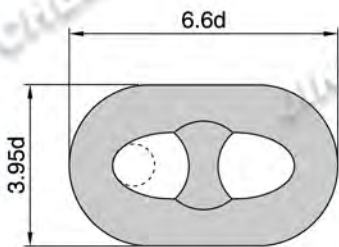
DRAWING OF PRODUCTS



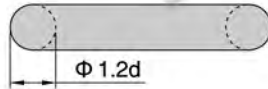
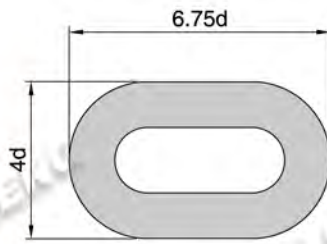
COMMON LINK = C



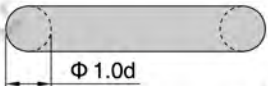
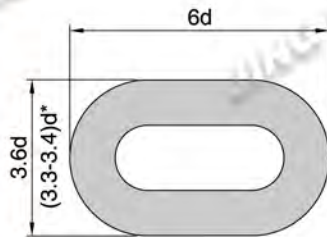
ENLARGED LINK = EL



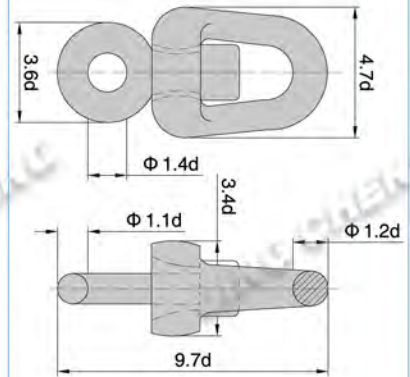
END LINK = E



STUDLESS LINK = SL



SWIVEL = SW



PEAR SHAPED LINK



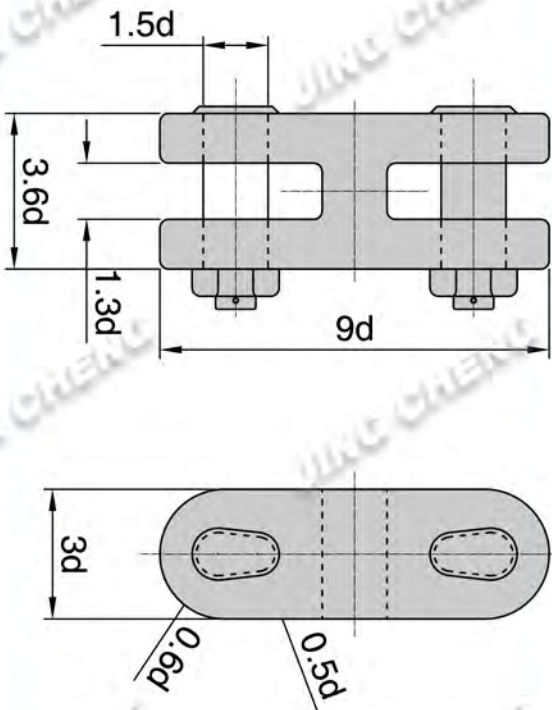
TRIANGLE PLATE = TP



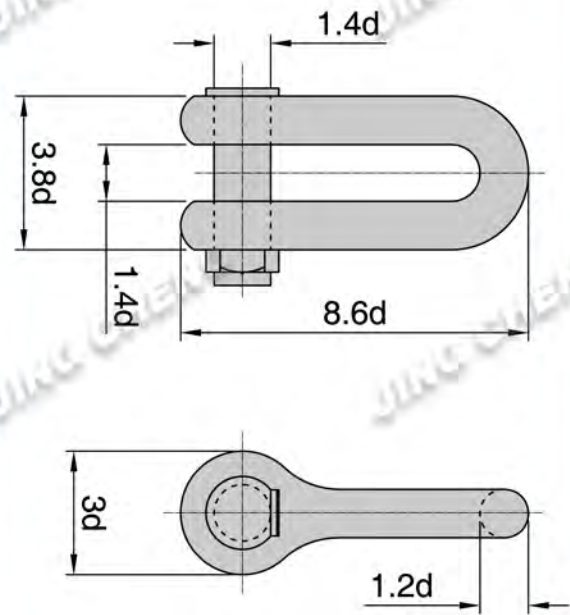
ROUND LINK = RL



LTM H-TYPE JOINING SHACKLE = LTM HJS



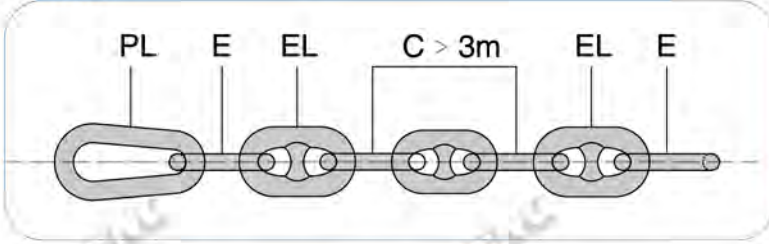
LTM END JOINING SHACKLE = LTM EJS



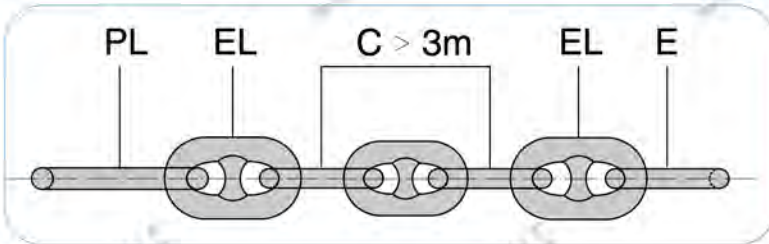
PEAR SHAPED KENTER SHACKLE

DRAWING OF PRODUCTS

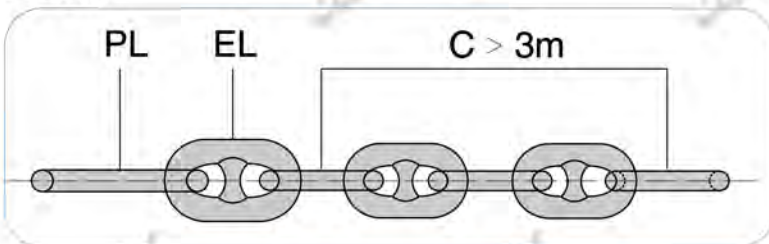
22cc



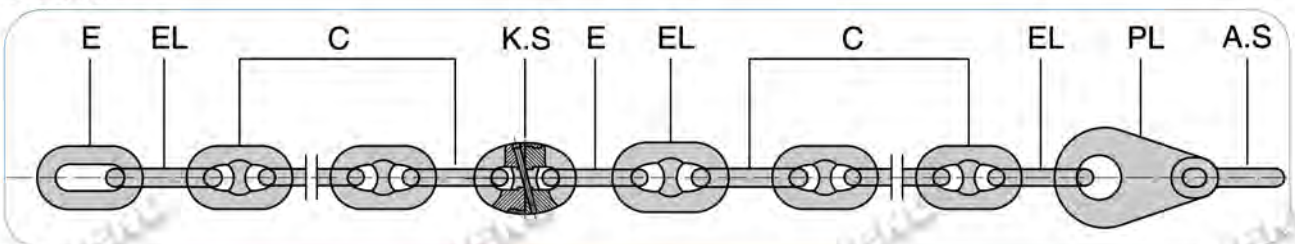
23cc



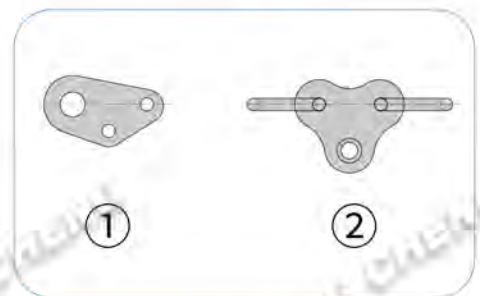
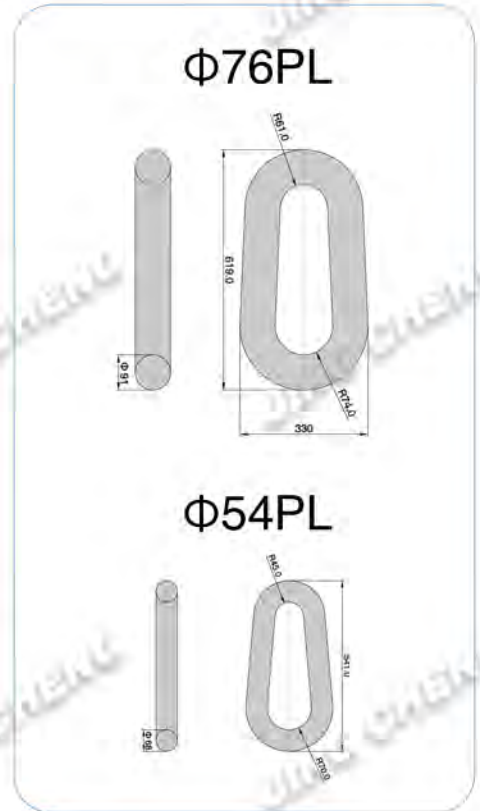
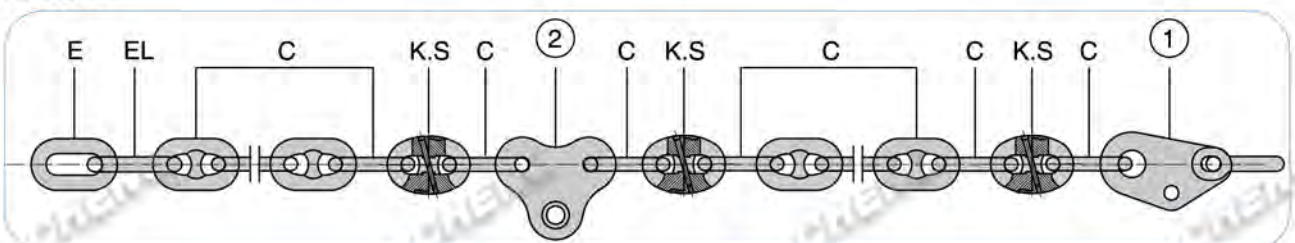
24cc



25cc



26cc



TEST LOAD OF ANCHOR CHAIN AND ACCESSORIES & MOORING CHAIN

DIAMETER OF CHAIN	ANCHOR CHAIN				OFFSHORE MOORING CHAIN										
	ABS,BV,CCS,CR,DNV,GL KR,LR,NK,RINA,RMRS				API		ABS	DNV	ABS/DNV		ABS/DNV		ABS/DNV		
							C/EL/E	C/EL/E/SL SL	C/EL/E/SL	C/EL/E	SL	C/EL/E/SL	C/EL/E	SL	C/EL/E/SL
	GRADE 2		GRADE 3		OPQ		RQ3	NVR3/RQ3	NVR3/RQ3	RQ3S/NVR3S		RQ4/NVR4			
PL C=0.008	BL C=0.0137	PL C=0.0137	BL C=0.0196	PL C=0.014	BL C=0.0211	PL C=0.0148	PL C=0.0148	BL C=0.0223	PL C=0.0180	PL C=0.0174	BL C=0.0249	PL C=0.0216	PL C=0.0192	BL C=0.0274	
mm	KN	KN	KN	KN	KN	KN	KN	KN	KN	KN	KN	KN	KN	KN	KN
12.5	66	92	92	132											
14	82	116	116	165	---	---	---	---	---	---	---	---	---	---	---
16	107	150	150	216	---	---	---	---	---	---	---	---	---	---	---
17.5	127	179	179	256	---	---	---	---	---	---	---	---	---	---	---
19	150	211	211	301	---	---	---	---	---	---	---	---	---	---	---
20.5	175	244	244	349	---	---	---	---	---	---	---	---	---	---	---
22	200	280	280	401	---	---	---	---	---	---	---	---	---	---	---
24	237	332	332	476	---	---	---	---	---	---	---	---	---	---	---
26	278	389	389	556	---	---	---	---	---	---	---	---	---	---	---
28	321	449	449	642	---	---	---	---	---	---	---	---	---	---	---
30	368	514	514	735	---	---	---	---	---	---	---	---	---	---	---
32	417	583	593	833	---	---	---	---	---	---	---	---	---	---	---
34	468	655	655	937	668	1007	706	745	1064	859	831	1188	1031	916	1308
36	523	732	732	1050	746	1124	789	832	1189	960	928	1327	1151	1022	1460
38	581	812	812	1160	828	1248	876	923	1319	1065	1029	1473	1278	1135	1621
40	640	896	896	1280	914	1376	967	1019	1456	1176	1136	1626	1411	1253	1789
42	703	981	981	1400	999	1513	1056	1114	1592	1285	1242	1777	1542	1370	1956
44	768	1080	1080	1540	1097	1654	1160	1223	1748	1411	1364	1951	1693	1503	2147
46	837	1170	1170	1680	1194	1800	1263	1331	1902	1535	1484	2124	1843	1636	2337
48	908	1270	1270	1810	1295	1952	1369	1443	2063	1665	1610	2304	2037	1775	2535
50	981	1370	1370	1960	1400	2110	1480	1561	2230	1800	1743	2490	2160	1918	2740
52	1060	1480	1480	2110	1508	2273	1594	1682	2402	1939	1877	2682	2327	2066	2952
54	1140	1590	1590	2270	1620	2441	1712	1806	2580	2083	2017	2881	2499	2219	3170
56	1220	1710	1710	2430	1735	2615	1834	1935	2764	2231	2160	3086	2677	2378	3396
58	1290	1810	1810	2600	1851	2794	1960	2068	2953	2383	2308	3297	2860	2540	3628
60	1380	1940	1940	2770	1976	2978	2089	2203	3147	2540	2460	3514	3048	2708	3867
62	1470	2060	2060	2940	2101	3166	2221	2343	3347	2701	2616	3737	3242	2879	4112
64	1560	2190	2190	3130	2230	3360	2357	2486	3551	2867	2776	3965	3440	3055	4364
66	1660	2310	2310	3300	2361	3559	2496	2633	3761	3036	2940	4200	3643	3235	4621
68	1750	2450	2450	3500	2496	3762	2639	2784	3976	3209	3108	4440	3851	3420	4885
70	1840	2580	2580	3690	2631	3970	2785	2938	4196	3387	3289	4685	4064	3610	5156

TEST LOAD OF ANCHOR CHAIN AND ACCESSORIES & MOORING CHAIN

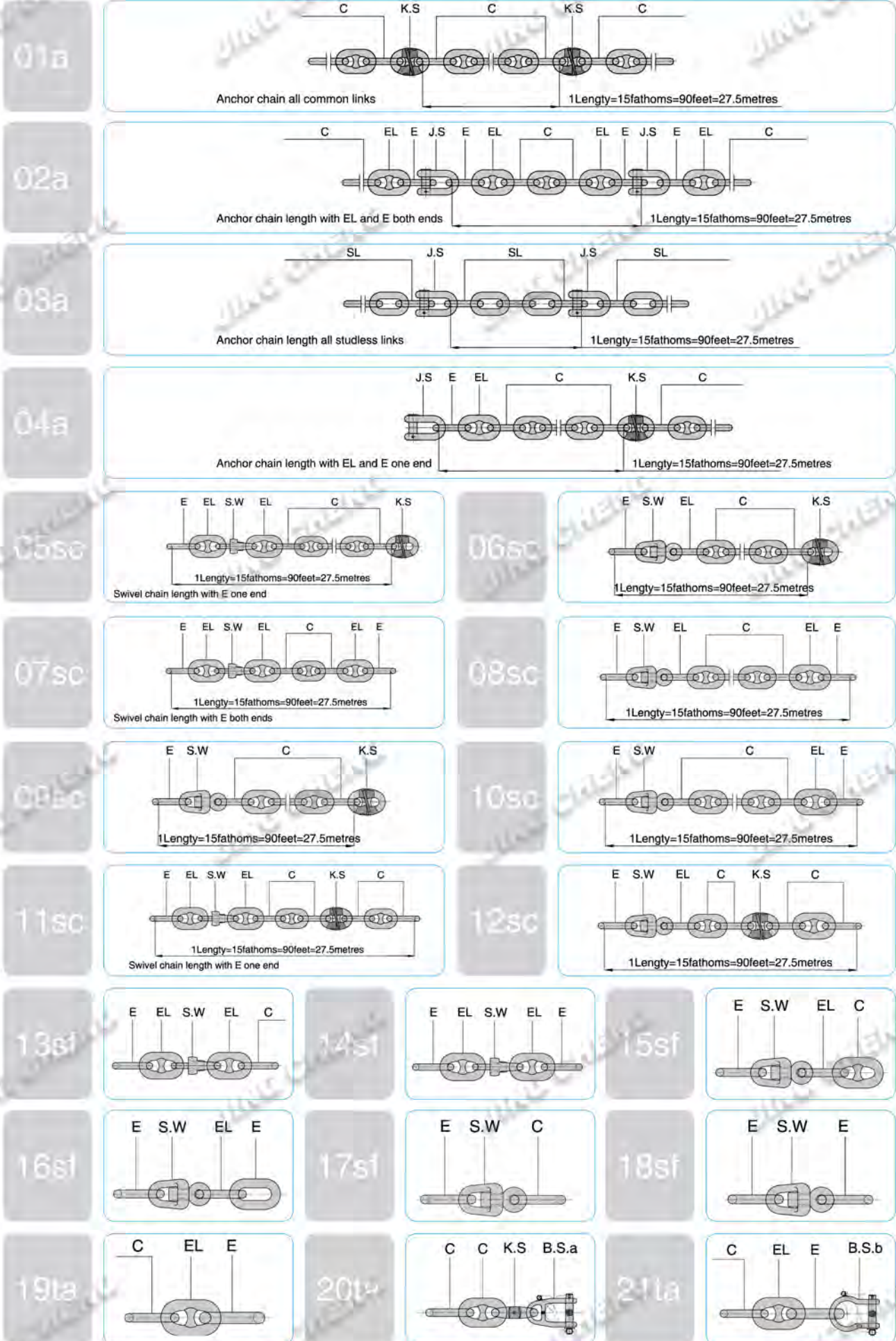
DIAMETER OF CHAIN	ANCHOR CHAIN				OFFSHORE MOORING CHAIN										
	ABS, BV, CCS, CR, DNV, GL, KR, LR, NK, RINA, RMRS				API		ABS	DNV	ABS/DNV	ABS/DNV			ABS/DNV		
	GRADE 2		GRADE 3		OPO		RO3	DNV ABS	DNV ABS/DNV	RO3S/NVR3S		RO4/NVR4			
	PL C=0.0198	BL C=0.0197	PL C=0.0187	BL C=0.0198	PL C=0.014	BL C=0.0211	PL C=0.0148	DNV ABS C/EL/E SL	DNV ABS/DNV C/EL/E SL	PL C=0.0180	PL C=0.0174	BL C=0.0249	PL C=0.0216	PL C=0.0192	BL C=0.0274
	KN	KN	KN	KN	KN	KN	KN	KN	KN	KN	KN	KN	KN	KN	KN
73	1990	2790	2790	3990	2847	4291	3010	3175	4535	3660	3545	5064	4392	3900	5572
76	2150	3010	3010	4300	3066	4621	3242	3419	4884	3942	3818	5454	4731	4206	6001
78	2260	3160	3160	4500	3216	4847	3400	3587	5123	4135	4004	5720	4962	4411	6295
81	2410	3380	3380	4820	3446	5194	3643	3843	5490	4431	4291	6130	5317	4727	6745
84	2580	3610	3610	5160	3683	5550	3893	4107	5866	4725	4585	6550	5682	5051	7208
87	2750	3850	3850	5500	3925	5916	4149	4377	6252	5046	4887	6981	6056	5383	7682
90	2920	4090	4090	5840	4173	6289	4412	4653	6647	5365	5196	7422	6439	5724	8167
92	3040	4260	4260	6080	4242	6544	4590	4842	6916	5582	5405	7722	6699	5955	8497
95	3230	4510	4510	6440	4599	6932	4862	5128	7326	5913	5726	8180	7096	6308	9001
97	3340	4680	4680	6690	4774	7195	5047	5323	7604	6138	5943	8490	7365	6547	9343
100	3530	4940	4940	7060	5040	7596	5328	5620	8028	6480	6275	8964	7776	6912	9864
102	3660	5120	5120	7320	5220	7868	5519	5821	8315	6712	6500	9285	8054	7160	10217
105	3850	5390	5390	7700	5495	8282	5809	6128	8753	7065	6842	9773	8478	7536	10754
107	3980	5570	5570	7960	5681	8561	6005	6334	9048	7304	7072	10103	8764	7791	11118
111	4250	5940	5940	8480	6058	9130	6401	6755	9650	7789	7543	10775	9347	8309	11856
114	4440	6230	6230	8890	6346	9565	6709	7077	10109	8159	7901	11287	9791	8704	12420
117	4650	6510	6510	9300	6639	10005	7018	7402	10574	8535	8265	11807	10242	9105	12993
120	4850	6810	6810	9720	6953	10452	7331	7733	11047	8916	8634	12334	10700	9511	13573
122	5000	7000	7000	9990	7135	10753	7542	7956	11365	9173	8883	12690	11008	9785	13964
124	5140	7200	7200	10280	7336	11057	7755	8175	11688	9433	9134	13048	11319	10062	14358
127	5350	7490	7490	10710	7641	11516	8078	8515	12172	9825	9514	13951	11790	10480	14955
130	5570	7800	7800	11140	7950	11981	8404	8858	12663	10222	9898	14140	12266	10903	15559
132	5720	8000	8000	11420	8157	12294	8623	9090	12994	10488	10157	14509	12586	11187	15965
137	6080	8510	8510	12160	8682	13085	9178	9674	13829	11163	10809	15442	13395	11907	16992
142	6450	9030	9030	12910	9214	13887	9740	10268	14677	11847	11472	16389	14217	12637	18034
147	6840	9560	9560	13660	9753	14670	10310	10869	15536	12540	12144	17348	15049	13377	19089
152	7220	10100	10100	14430	10299	15522	10887	11477	16405	13242	12823	18318	15890	14125	20157
157	7600	10640	10640	15200	11126	16768	11762	12090	17282	13950	13508	19297	16740	14880	21234
162	7990	11180	11180	15980	11405	17189	12057	12708	18166	14663	14199	20284	17596	15641	22320

NOTE: TEST LOAD = $c \times d^2$ (44-0.08xd)

TEST LOAD OF STUDLESS CHAIN

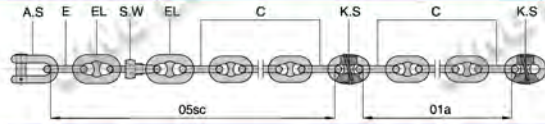
DIAMETER OF CHAIN	GRADE 1		GRADE 2		GRADE 3		APPROX MASS (22.5m) Kg
	PL	BL	PL	BL	PL	BL	
	KN	KN	KN	KN	KN	KN	
mm							
6	6.62	13.32	9.30	18.60			21.45
7	9.02	18.13	12.60	25.20			29.15
8	11.78	23.68	16.50	33.00			38.23
9	14.90	29.97	20.90	41.80			48.40
10	18.40	37.00	25.80	51.60			59.68
11	22.26	44.70	31.20	62.40			72.33
12.5	28.75	57.81	41.20	82.60			93.5
14	34.78	69.93	51.00	101.90			117.15
16	47.10	94.72	66.20	132.30	92.42	184.83	152.9
17.5	56.35	113.31	78.89	157.78	110.55	221.10	182.8
19	66.42	133.57	93.60	187.20	130.32	260.64	249.5
20.5	77.33	155.49	108.64	217.27	151.70	303.42	275.4
22	89.06	179.08	125.40	250.90	174.40	349.40	328.6
24	105.98	213.25	149.90	298.90	207.90	415.80	385.0
26	124.38	250.12	175.40	350.80	244.00	488.80	449.1
28	144.26	290.08	203.80	406.70	283.00	566.00	516.7
30	165.60	333.00	234.20	467.50	324.90	649.80	589.4
32	188.42	378.88	265.60	531.20	369.60	739.30	664.6
34	212.70	427.72	299.90	599.80	417.30	834.60	752.9
36	238.46	479.52	336.10	672.30	467.80	935.70	861.2
38	265.70	534.28	374.40	748.70	521.30	1042.50	957.5
40	249.40	592.00	414.50	829.10	577.60	1155.20	1056.2
42	324.58	652.68	457.70	915.30	636.80	1273.60	1166.5
44	356.22	716.32	502.70	999.60	698.90	1398.00	1270.4
46	389.34	782.92	548.80	1097.6	763.90	1527.80	1396.6
48	423.94	852.48	597.80	1195.6	831.70	1663.50	1520.6
50	460.00	926.09	648.80	1239.6	902.50	1805.00	1650.0

ARRANGEMENT OF ANCHOR CHAIN

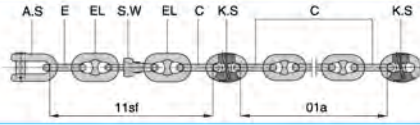


JOINING FORMS (K.S) TO ANCHOR AND LOKER ENDS

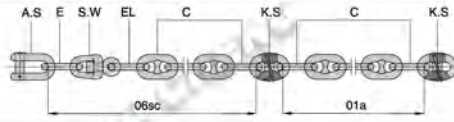
A1



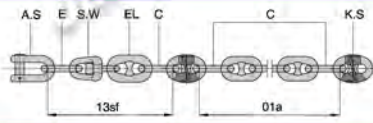
A2



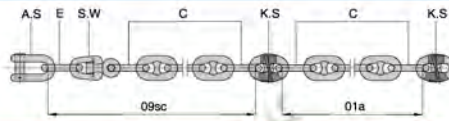
A3



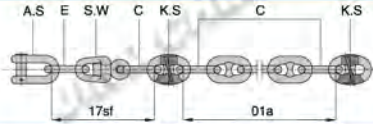
A4



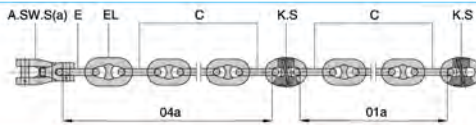
A5



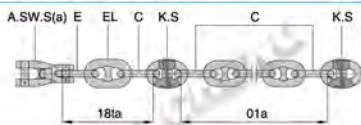
A6



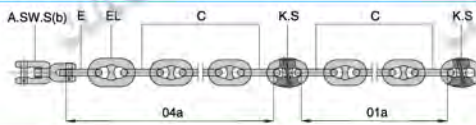
A7



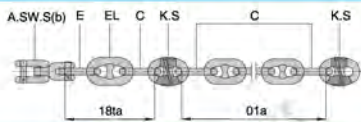
A8



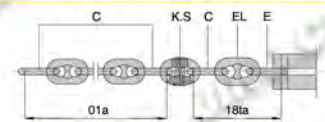
A9



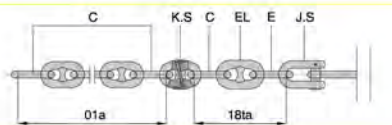
A10



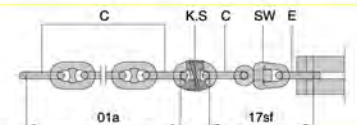
A11



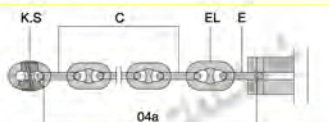
A12



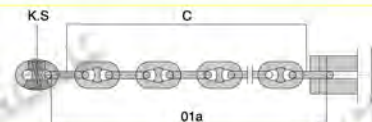
A14



A13

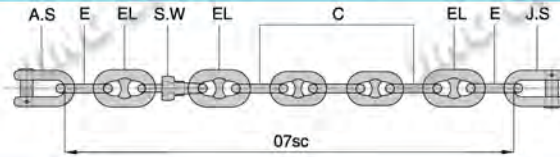


A15

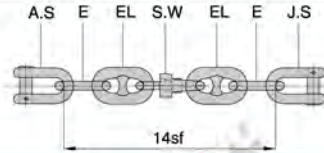


JOINING FORMS (J.S) TO ANCHOR AND LOKER ENDS

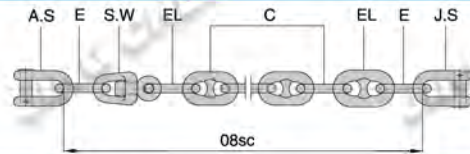
B1



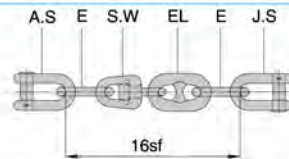
B2



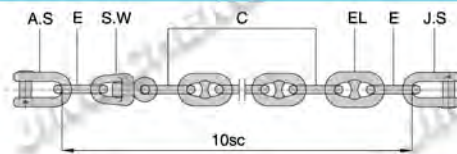
B3



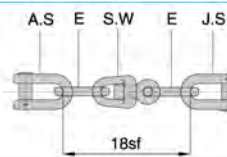
B4



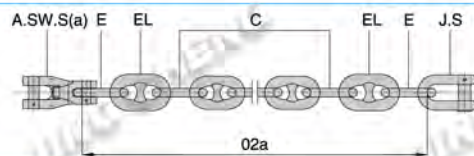
B5



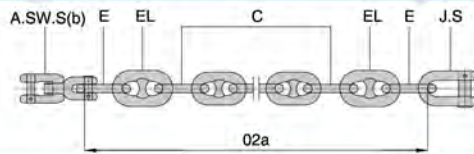
B6



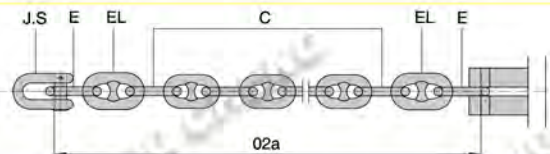
B7



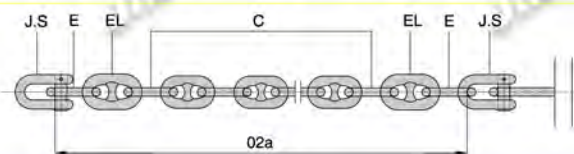
B8



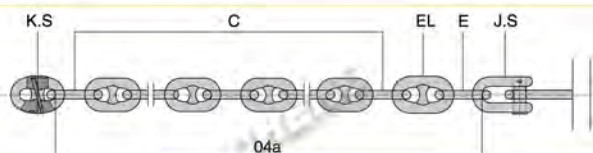
B9



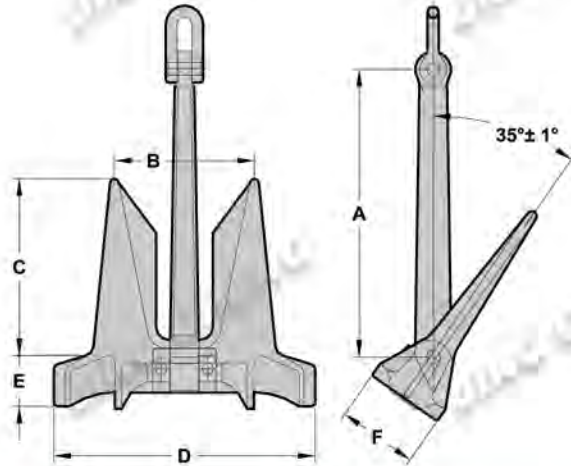
B10



B11



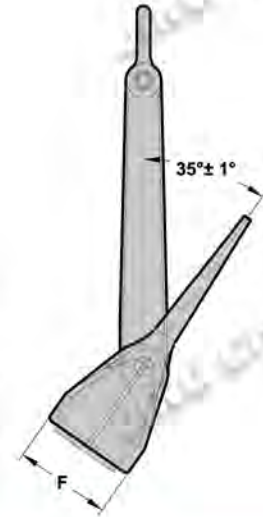
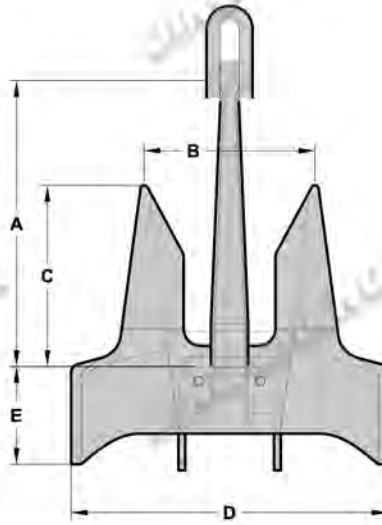
AC-14 HHP ANCHOR



Item No.	Nominal Weight (kg)	Size (mm)					
		A	B	C	D	E	F
JCA001	30	491	236	299	440	85	136
JCA002	45	590	283	359	529	99	164
JCA003	75	677	324	411	605	122	188
JCA004	94	718	344	437	643	130	199
JCA005	113	745	357	452	666	135	207
JCA006	135	821	394	500	737	143	228
JCA007	180	904	434	550	811	157	251
JCA008	225	974	468	593	874	169	270
JCA009	270	1035	497	630	929	180	287
JCA010	315	1090	524	663	978	189	302
JCA011	360	1139	547	694	1022	198	316
JCA012	428	1194	574	727	1071	206	331
JCA013	495	1251	602	762	1122	216	347
JCA014	585	1360	654	828	1221	236	378
JCA015	675	1398	672	851	1254	242	387
JCA016	765	1483	698	885	1304	264	404
JCA017	855	1520	729	925	1363	267	423
JCA018	968	1590	764	968	1425	275	440
JCA019	1080	1631	784	993	1462	282	451
JCA020	1193	1660	798	1011	1490	287	465
JCA021	1305	1761	846	1072	1580	305	488
JCA022	1440	1795	862	1093	1610	311	497
JCA023	1575	1855	892	1130	1665	321	514
JCA024	1710	1900	913	1157	1705	329	526
JCA025	1845	1940	933	1182	1741	336	538
JCA026	1980	1977	950	1203	1774	342	548
JCA027	2138	2016	969	1227	1809	349	559
JCA028	2295	2089	1004	1272	1874	362	579
JCA029	2475	2150	1033	1309	1929	373	596
JCA030	2655	2201	1057	1340	1975	382	610
JCA031	2835	2253	1083	1372	2022	390	624
JCA032	3038	2302	1107	1402	2066	399	638

Item No.	Nominal Weight (kg)	Size (mm)					
		A	B	C	D	E	F
JCA033	3240	2352	1130	1432	2110	407	652
JCA034	3443	2400	1154	1462	2154	415	665
JCA035	3668	2451	1178	1493	2200	424	680
JCA036	3938	2510	1207	1529	2252	434	696
JCA037	4208	2549	1234	1563	2303	444	711
JCA038	4500	2624	1261	1598	2355	454	727
JCA039	4838	2688	1292	1637	2412	465	745
JCA040	5175	2749	1321	1674	2467	476	762
JCA041	5513	2808	1350	1710	2520	486	778
JCA042	5850	2864	1376	1744	2570	496	794
JCA043	6225	2923	1405	1780	2623	506	810
JCA044	6525	2970	1428	1808	2665	514	823
JCA045	6975	3042	1462	1853	2730	527	843
JCA046	7425	3100	1490	1888	2782	537	859
JCA047	7875	3162	1520	1925	2837	547	876
JCA048	8325	3221	1548	1961	2890	558	893
JCA049	8775	3278	1576	1996	2942	567	909
JCA050	9225	3333	1602	2030	2991	577	924
JCA051	9675	3386	1628	2062	3039	586	939
JCA052	10125	3438	1653	2094	3085	595	953
JCA053	10575	3488	1677	2124	3130	604	967
JCA054	11025	3537	1700	2154	3174	612	981
JCA055	11550	3592	1727	2188	3224	622	996
JCA056	12075	3646	1753	2220	3272	631	1011
JCA057	12675	3705	1781	2256	3325	641	1027
JCA058	13350	3770	1812	2296	3383	653	1045
JCA059	14100	3839	1846	2338	3445	665	1064
JCA060	15000	3919	1884	2387	3517	678	1086
JCA061	16125	4015	1930	2445	3603	695	1113
JCA062	17250	4106	1974	2501	3685	711	1138
JCA063	18375	4194	2016	2554	3763	726	1163
JCA064	19500	4278	2056	2605	3839	740	1186

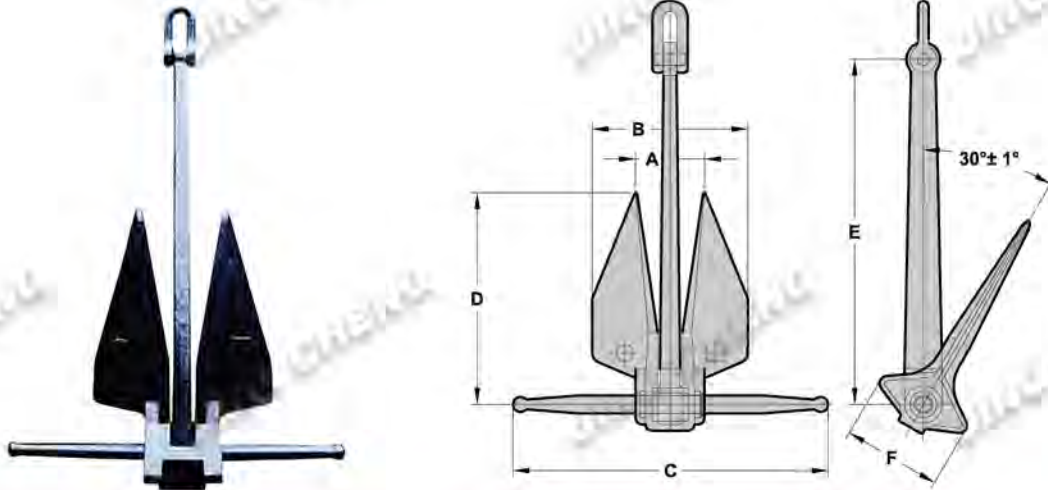
CJ-14 SB HHP ANCHOR



Item No.	Nominal Weight (kg)	Size (mm)					
		A	B	C	D	E	F
JCA065	75	550	326	350	606	188	185
JCA066	100	607	380	385	704	207	200
JCA067	120	635	380	402	704	217	215
JCA068	180	742	442	470	822	254	252
JCA069	225	828	495	525	915	283	277
JCA070	250	828	495	525	915	283	280
JCA071	300	882	525	559	975	301	298
JCA072	340	918	548	582	1012	313	310
JCA073	360	918	548	582	1015	313	313
JCA074	430	990	590	628	1098	339	336
JCA075	495	1025	610	650	1135	350	348
JCA076	585	1102	658	699	1220	376	375
JCA077	675	1152	690	731	1278	394	390
JCA078	765	1205	718	764	1335	411	408
JCA079	855	1250	745	793	1385	427	420
JCA080	970	1300	775	826	1445	444	440
JCA081	1080	1350	805	855	1495	461	455
JCA082	1200	1400	835	887	1545	478	470
JCA083	1305	1440	858	913	1595	492	485
JCA084	1440	1486	885	943	1645	507	505
JCA085	1575	1534	915	972	1695	523	518
JCA086	1710	1575	940	998	1745	538	532
JCA087	1845	1616	965	1025	1785	552	546
JCA088	1980	1650	985	1048	1830	564	560
JCA089	2100	1686	1005	1070	1865	575	570
JCA090	2295	1738	1035	1102	1920	593	588
JCA091	2475	1780	1062	1128	1970	607	602
JCA092	2655	1820	1085	1155	2018	621	615
JCA093	2835	1862	1109	1180	2057	635	625
JCA094	3040	1896	1130	1204	2100	646	640
JCA095	3550	2030	1198	1287	2225	693	680
JCA096	3940	2080	1240	1318	2300	709	705

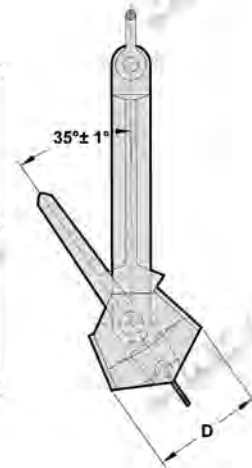
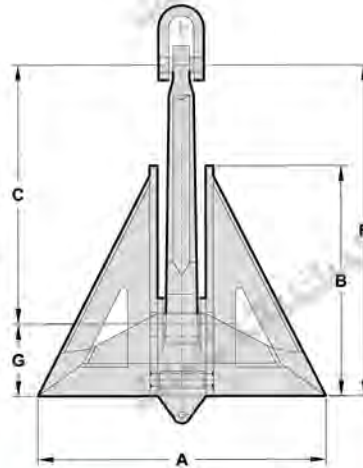
Item No.	Nominal Weight (kg)	Size (mm)					
		A	B	C	D	E	F
JCA097	4500	2170	1295	1376	2405	741	735
JCA098	4840	2225	1330	1410	2465	760	755
JCA099	5175	2275	1358	1443	2520	777	770
JCA100	5610	2339	1396	1483	2590	798	790
JCA101	6000	2390	1426	1515	2646	816	810
JCA102	6225	2420	1443	1534	2678	826	820
JCA103	6525	2450	1462	1554	2712	836	830
JCA104	6975	2507	1496	1589	2775	855	848
JCA105	7350	2560	1526	1622	2832	873	866
JCA106	7875	2610	1558	1655	2890	891	884
JCA107	8325	2665	1590	1689	2950	909	902
JCA108	8775	2707	1614	1715	2996	924	916
JCA109	9300	2765	1652	1754	3064	945	936
JCA110	9675	2805	1674	1778	3104	957	948
JCA111	10125	2850	1700	1806	3152	972	960
JCA112	10575	2880	1720	1827	3192	984	976
JCA113	11025	2930	1750	1859	3247	1001	990
JCA114	11700	2987	1782	1894	3308	1019	1010
JCA115	12075	3010	1800	1906	3343	1027	1020
JCA116	12675	3065	1812	1945	3364	1047	1028
JCA117	13350	3132	1870	1986	3470	1069	1060
JCA118	14100	3178	1896	2015	3520	1084	1076
JCA119	14700	3228	1924	2045	3570	1099	1090
JCA120	15400	3272	1954	2075	3626	1117	1108
JCA121	16100	3320	1980	2110	3680	1132	1125
JCA122	16700	3350	2000	2126	3720	1144	1144
JCA123	17250	3380	2016	2142	3740	1151	1144
JCA124	17800	3440	2050	2180	3806	1173	1162
JCA125	18800	3500	2088	2220	3875	1193	1185
JCA126	20000	3573	2132	2265	3956	1220	1210
JCA127	25000	3965	2360	2515	4309	1352	1295
JCA128	30000	4358	2588	2765	4663	1484	1380

Danforth HHP ANCHOR



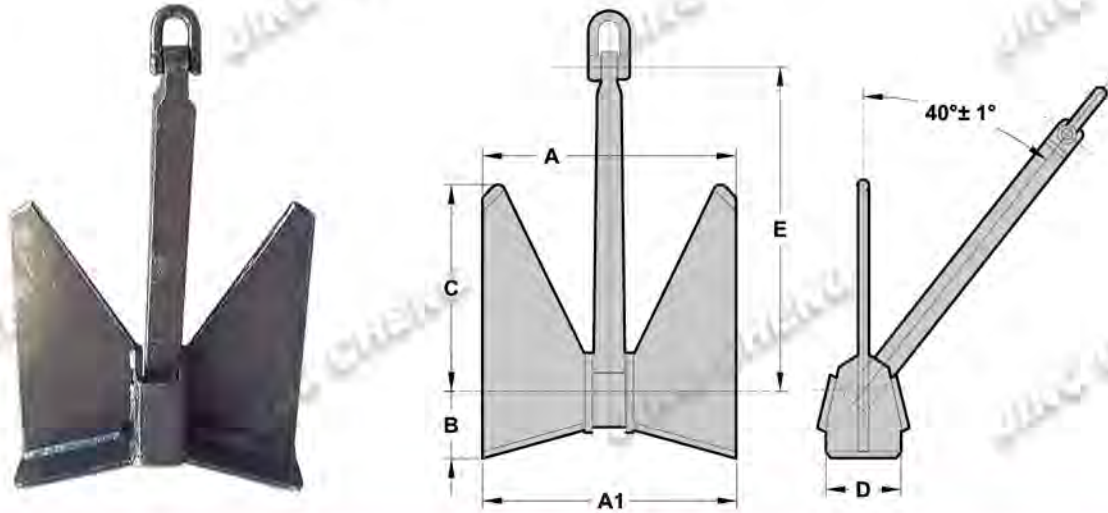
Item No.	Nominal Weight (lbs)	Size (mm)						Shackle Model
		A	B	C	D	E	F	
JCA129	100	159	322	714	485	800	219	a4
JCA130	150	183	372	793	560	926	253	a5
JCA131	200	203	412	874	621	995	281	a6
JCA132	250	225	457	960	689	1075	312	a6
JCA133	300	228	461	1000	706	1166	314	a7
JCA134	400	257	522	1090	788	1284	356	a8
JCA135	550	274	554	1180	836	1380	378	a9
JCA136	600	290	588	1253	888	1466	401	a9
JCA137	750	314	635	1350	958	1578	433	a9
JCA138	1000	344	694	1488	1060	1739	472	a11
JCA139	1250	367	741	1603	1135	1864	505	a12
JCA140	1500	396	800	1703	1207	1988	545	a12
JCA141	2000	438	888	1875	1336	2190	604	a14
JCA142	2500	470	950	2020	1432	2300	647	a14
JCA143	2625	470	950	2020	1432	2300	647	a14
JCA144	2750	485	960	2120	1432	2335	650	a14
JCA145	3000	502	1033	2146	1575	2396	710	a14
JCA146	3500	550	1111	2265	1677	2515	757	a15
JCA147	4000	552	1114	2365	1680	2623	759	a15
JCA148	5000	595	1200	2480	1811	2850	818	a16
JCA149	6000	630	1274	2680	1920	3164	866	a17
JCA150	6600	652	1317	2792	1986	3260	897	a19
JCA151	8000	692	1398	2970	2109	3475	971	a19
JCA152	9000	715	1448	3080	2200	3490	990	a20
JCA153	10000	735	1484	3200	2270	3591	1010	a21
JCA154	15000	851	1700	3680	2610	4100	1160	a23
JCA155	20000	936	1870	4050	2870	4510	1276	a26
JCA156	30000	1136	2250	4900	3400	5400	1520	a30
JCA157	35000	1208	2414	5250	3670	5830	1642	a31
JCA158	40000	1286	2588	5625	3930	6250	1758	a32
JCA159	45000	1378	2745	5968	4172	6610	1867	a33
JCA160	50000	1450	2890	6282	4393	6950	1965	a34

DELTA ANCHOR



Item No.	Nominal Weight (kg)	Size (mm)					
		A	B	C	D	F	G
JCA161	300	1310	1040	1180	495	1550	370
JCA162	500	1555	1240	1400	585	1845	445
JCA163	750	1780	1400	1600	665	2110	510
JCA164	1000	1960	1560	1755	740	2320	565
JCA165	1500	2250	1800	2025	840	2660	635
JCA166	2000	2470	2000	2250	930	2960	710
JCA167	2500	2660	2130	2395	1005	3150	755
JCA168	3000	2830	2285	2565	1070	3380	815
JCA169	4000	3180	2560	2880	1190	3790	910
JCA170	4500	3194	2575	2900	1220	3820	920
JCA171	5000	3300	2660	2995	1260	3945	950
JCA172	6000	3560	2884	3245	1300	4268	1024
JCA173	7000	3750	2995	3365	1405	4440	1075
JCA174	9000	4120	3280	3690	1540	4860	1170
JCA175	10000	4270	3400	3825	1600	5040	1215
JCA176	13500	4670	3730	4195	1765	5535	1340
JCA177	15000	4840	3860	4340	1825	5725	1385
JCA178	18000	5140	4100	4615	1940	6085	1470
JCA179	20000	5320	4240	4775	2010	6300	1525
JCA180	22500	5535	4420	4970	2090	6560	1590
JCA181	25000	5730	4575	5140	2160	6780	1640
JCA182	30000	6100	4880	5486	2305	7225	1739
JCA183	35000	6424	5138	5775	2426	7605	1830
JCA184	40000	6715	5370	6036	2536	7948	1912
JCA185	45000	6986	5588	6184	2640	8270	2086
JCA186	50000	7230	5785	6500	2730	8560	2060
JCA187	55000	7470	5975	6715	2820	8840	2125
JCA188	60000	7690	6150	6910	2940	9100	2190
JCA189	65000	7900	6315	7100	2980	9350	2250
JCA190	70000	8095	6475	7275	3060	9580	2305
JCA191	75000	8235	6590	7405	3110	9750	2345
JCA192	80000	8460	6770	7610	3195	10020	2410
JCA193	85000	8625	6900	7750	3255	10210	2460
JCA194	90000	8800	7040	7910	3325	10420	2510
JCA195	95000	8960	7170	8055	3385	10610	2555
JCA196	100000	9110	7285	8190	3440	10780	2590

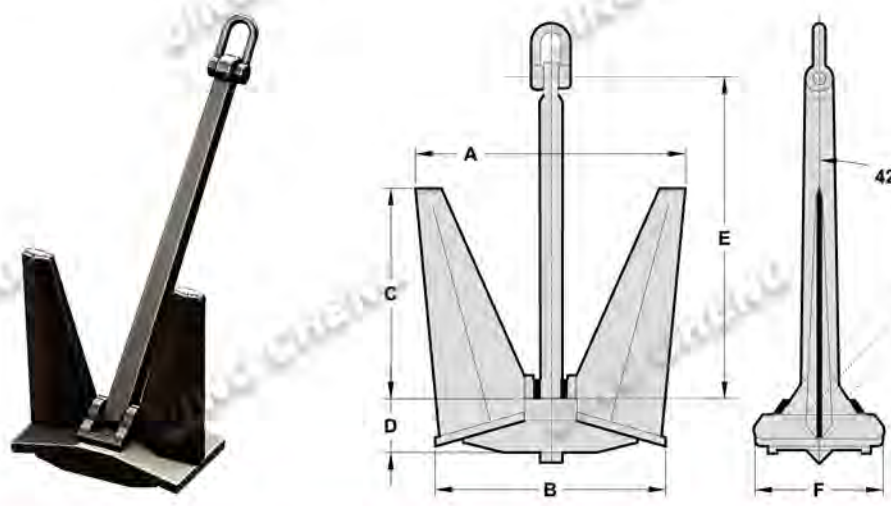
POOL ANCHOR TYPE TW



Item No.	Nominal Weight (kg)	Size (mm)							Shackle Model
		A	A1	B	C	D	E		
JCA197	105	640	650	250	422	240	705	a6	
JCA198	135	696	706	273	460	262	815	a6	
JCA199	160	736	746	289	486	277	895	a7	
JCA200	180	766	776	300	506	288	937	a7	
JCA201	225	825	837	324	545	310	982	a8	
JCA202	270	877	890	344	579	329	1080	a8	
JCA203	300	907	922	356	600	340	1080	a8	
JCA204	360	965	980	378	638	362	1175	a9	
JCA205	430	1024	1040	402	676	384	1200	a9	
JCA206	495	1074	1090	420	709	402	1257	a10	
JCA207	565	1122	1138	440	740	436	1318	a11	
JCA208	675	1205	1221	475	801	454	1456	a11	
JCA209	765	1256	1272	476	836	455	1518	a12	
JCA210	855	1306	1327	494	866	496	1575	a13	
JCA211	970	1360	1381	532	896	513	1642	a13	
JCA212	1080	1410	1431	540	910	536	1703	a13	
JCA213	1195	1435	1446	545	955	537	1730	a13	
JCA214	1305	1490	1512	580	981	558	1814	a14	
JCA215	1440	1554	1576	587	1031	585	1875	a14	
JCA216	1575	1594	1618	606	1062	600	1931	a14	
JCA217	1710	1635	1659	622	1092	614	1985	a15	
JCA218	1845	1684	1709	638	1120	638	2035	a15	
JCA219	1980	1733	1758	657	1153	654	2088	a15	
JCA220	2140	1765	1803	671	1177	664	2138	a16	
JCA221	2295	1802	1829	686	1205	678	2190	a16	
JCA222	2475	1860	1887	704	1236	705	2240	a17	
JCA223	2655	1900	1927	720	1263	716	2298	a17	
JCA224	2835	1945	1973	737	1294	730	2350	a17	
JCA225	3040	1984	2012	754	1324	744	2404	a17	
JCA226	3240	2036	2066	770	1351	768	2456	a18	
JCA227	3445	2070	2100	789	1381	782	2507	a18	
JCA228	3670	2110	2142	804	1410	795	2560	a19	
JCA229	3940	2152	2185	820	1440	802	2621	a19	
JCA230	4210	2218	2251	842	1478	838	2680	a20	

Item No.	Nominal Weight (kg)	Size (mm)							Shackle Model
		A	A1	B	C	D	E		
JCA231	4500	2264	2297	861	1510	854	2740	a20	
JCA232	4840	2316	2349	879	1543	868	2800	a21	
JCA233	5175	2334	2367	889	1558	876	2829	a22	
JCA234	5250	2363	2397	926	1558	887	2870	a22	
JCA235	5515	2412	2446	926	1608	911	2921	a22	
JCA236	5850	2450	2485	960	1615	920	2985	a23	
JCA237	6225	2509	2543	980	1640	940	3033	a23	
JCA238	6975	2623	2659	1015	1707	990	3145	a23	
JCA239	7875	2695	2735	1050	1773	1012	3264	a24	
JCA240	8148	2744	2771	1067	1805	1030	3320	a24	
JCA241	8420	2794	2822	1087	1838	1049	3381	a24	
JCA242	8710	2823	2851	1098	1857	1060	3416	a25	
JCA243	9000	2852	2881	1109	1876	1071	3451	a25	
JCA244	9340	2885	2914	1122	1898	1083	3491	a25	
JCA245	9680	2918	2947	1135	1919	1096	3531	a26	
JCA246	10090	2947	2976	1146	1939	1107	3566	a26	
JCA247	10500	2977	3007	1158	1958	1118	3602	a26	
JCA248	10765	3008	3038	1170	1979	1130	3640	a26	
JCA249	11030	3038	3069	1182	1999	1141	3677	a27	
JCA250	11365	3063	3094	1192	2015	1150	3706	a27	
JCA251	11100	3097	3118	1201	2031	1159	3735	a27	
JCA252	12075	3124	3155	1215	2055	1173	3780	a28	
JCA253	12450	3161	3193	1230	2079	1187	3825	a28	
JCA254	13200	3233	3265	1258	2127	1214	3912	a29	
JCA255	13950	3305	3338	1286	2174	1241	3999	a29	
JCA256	14850	3350	3384	1303	2204	1258	4054	a30	
JCA257	15750	3395	3429	1321	2233	1275	4108	a30	
JCA258	16295	3457	3492	1345	2274	1298	4183	a31	
JCA259	16840	3520	3555	1369	2315	1322	4259	a31	
JCA260	17420	3556	3592	1383	2339	1335	4303	a32	
JCA261	18000	3593	3629	1398	2363	1349	4348	a32	
JCA262	18680	3634	3670	1414	2390	1365	4397	a32	
JCA263	19360	3676	3713	1430	2418	1380	4448	a33	
JCA264	20000	3713	3750	1444	2442	1394	4493	a33	

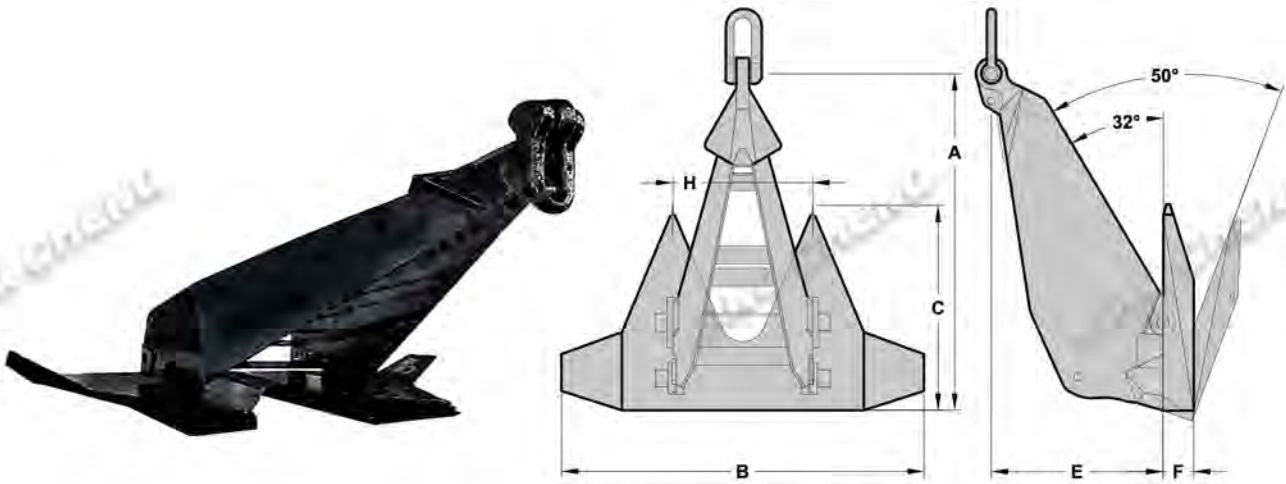
POOL HHP ANCHOR TYPE N



Item No.	Nominal Weight (kg)	Size (mm)					
		A	B	C	D	E	F
JCA265	12	323	275	250	65	383	155
JCA266	20	386	325	300	75	458	185
JCA267	25	409	350	316	80	485	200
JCA268	40	479	410	370	95	567	235
JCA269	50	517	440	400	100	613	255
JCA270	60	550	470	425	110	652	270
JCA271	80	608	515	470	120	720	295
JCA272	100	653	555	505	130	775	320
JCA273	120	699	595	540	135	825	340
JCA274	135	723	614	562	139	858	342
JCA275	160	764	650	590	150	905	370
JCA276	180	795	675	615	155	940	385
JCA277	200	825	700	640	160	978	400
JCA278	225	858	729	666	165	1016	406
JCA279	240	880	745	680	175	1040	425
JCA280	280	925	780	715	180	1092	450
JCA281	320	964	820	745	190	1140	470
JCA282	360	1005	855	780	195	1190	490
JCA283	400	1040	885	805	205	1230	505
JCA284	440	1074	910	830	210	1270	520
JCA285	480	1105	940	855	215	1305	535
JCA286	520	1133	960	875	220	1340	550
JCA287	560	1165	985	900	230	1375	565
JCA288	600	1191	1010	920	235	1410	580
JCA289	640	1217	1035	940	240	1440	675
JCA290	675	1237	1051	960	245	1464	585
JCA291	720	1262	1075	975	250	1495	615
JCA292	800	1310	1115	1015	255	1550	635
JCA293	855	1338	1137	1137	257	1585	633
JCA294	900	1365	1160	1160	270	1615	665
JCA295	970	1396	1186	1186	272	1654	660
JCA296	1000	1410	1200	1200	275	1670	670
JCA297	1080	1447	1229	1229	278	1713	684
JCA298	1250	1521	1290	1290	300	1800	740
JCA299	1305	1541	1309	1309	296	1824	729
JCA300	1500	1615	1370	1370	315	1910	785
JCA301	1575	1641	1394	1394	315	1943	776
JCA302	1750	1705	1445	1445	335	2015	830
JCA303	1845	1729	1469	1469	340	2049	818
JCA304	2000	1780	1510	1510	350	2105	865

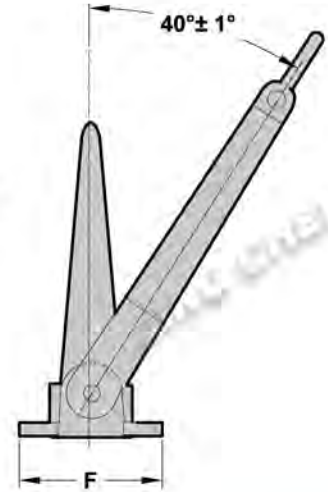
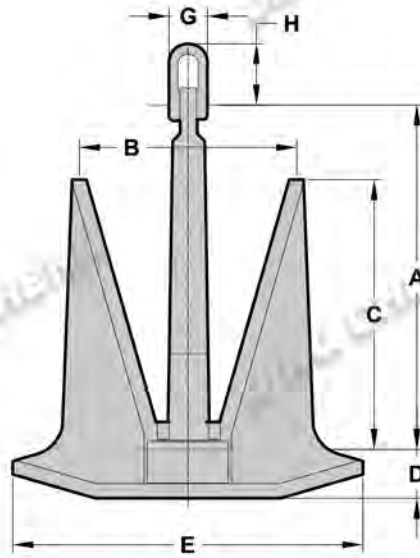
Item No.	Nominal Weight (kg)	Size (mm)					
		A	B	C	D	E	F
JCA305	2140	1817	1544	1411	349	2152	860
JCA306	2250	1850	1570	1430	360	2185	900
JCA307	2500	1920	1630	1480	375	2265	930
JCA308	2655	1954	1664	1516	372	2312	925
JCA309	2835	1996	1700	1550	380	2364	945
JCA310	3040	2042	1735	1585	390	2418	968
JCA311	3240	2086	1773	1620	398	2471	988
JCA312	3445	2129	1809	1653	406	2522	1009
JCA313	3670	2174	1847	1689	415	2576	1030
JCA314	3940	2226	1892	1730	425	2640	1055
JCA315	4210	2276	1934	1768	434	2698	1078
JCA316	4500	2328	1978	1808	444	2758	1103
JCA317	4840	2385	2026	1852	455	2825	1130
JCA318	5175	2439	2072	1894	465	2889	1155
JCA319	5515	2491	2116	1934	475	2950	1180
JCA320	5850	2541	2159	1973	485	3009	1204
JCA321	6225	2594	2204	2014	495	3072	1229
JCA322	6525	2635	2239	2046	503	3121	1248
JCA323	6975	2695	2290	2092	514	3191	1276
JCA324	7425	2751	2337	2136	525	3258	1303
JCA325	7875	2805	2384	2178	535	3323	1329
JCA326	8325	2858	2428	2219	545	3385	1354
JCA327	8775	2908	2471	2258	555	3445	1378
JCA328	9225	2958	2512	2296	564	3502	1401
JCA329	9675	3004	2553	2333	573	3558	1423
JCA330	10215	3050	2592	2369	582	3613	1445
JCA331	10575	3095	2630	2403	590	3666	1466
JCA332	11025	3138	2667	2437	599	3717	1486
JCA333	11550	3187	2708	2475	608	3775	1510
JCA334	12075	3235	2748	2512	617	3831	1533
JCA335	12675	3288	2794	2553	628	3894	1557
JCA336	13350	3345	2842	2598	638	3962	1585
JCA337	14100	3406	2895	2645	649	4035	1614
JCA338	15000	3478	2955	2700	664	4119	1647
JCA339	15400	3508	2981	2724	669	4155	1662
JCA340	16125	3563	3027	2766	680	4220	1687
JCA341	17250	3643	3096	2829	696	4315	1726
JCA342	18375	3712	3162	2889	710	4407	1762
JCA343	19500	3795	3225	2947	725	4495	1798
JCA344	20625	3867	3286	3003	738	4580	1832

STEVIN MK5 ANCHOR



Item No.	Nominal Weight (kg)	Size (mm)					
		A	B	C	E	F	H
JCA345	300	1828	1968	1101	927	160	757
JCA346	500	2040	2197	1233	1035	179	845
JCA347	1000	2570	2770	1562	1304	226	1064
JCA348	1500	2944	3174	1802	1495	261	1230
JCA349	2000	3244	3494	1969	1646	285	1343
JCA350	3000	3711	4001	2279	1886	332	1540
JCA351	4000	4083	4403	2431	2074	359	1692
JCA352	5000	4402	4746	2697	2238	396	1835
JCA353	6000	4680	5040	2841	2374	411	1988
JCA354	7000	4900	5280	3001	2490	443	2045
JCA355	8000	5151	5553	3156	2619	464	2139
JCA356	9000	5359	5772	3253	2719	471	2219
JCA357	10000	5549	5932	3400	3822	501	2305
JCA358	12000	5893	6353	3614	3000	533	2450
JCA359	14000	6209	6694	3805	3159	562	2580
JCA360	15000	6354	6850	3804	3232	575	2640
JCA361	16000	6469	6967	3927	3282	569	2673
JCA362	18000	6753	7280	4139	3436	612	2806
JCA363	20000	6994	7540	4287	3559	634	2907
JCA364	22000	7220	7784	4426	3674	654	3001
JCA365	25000	7535	8123	4619	3834	684	3132
JCA366	30000	3003	8635	4919	4075	727	3329

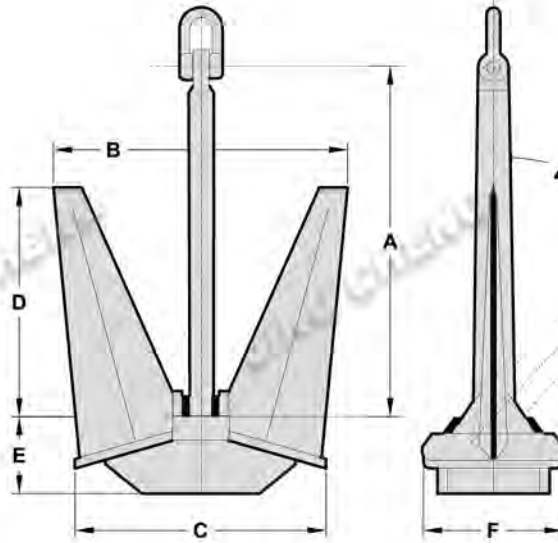
D-HONE HHP ANCHOR



Item No.	Nominal Weight (kg)	Size (mm)							
		A	B	C	D	E	F	G	H
JCA367	200	789	495	566	182	847	313	110	145
JCA368	300	900	566	648	207	968	358	136	175
JCA369	400	994	624	710	231	1065	395	151	192
JCA370	500	1070	670	765	250	1150	425	163	215
JCA371	550	1105	693	790	257	1185	438	163	215
JCA372	600	1138	714	815	263	1220	452	163	215
JCA373	650	1170	733	835	275	1255	465	174	235
JCA374	700	1200	750	860	275	1285	475	174	235
JCA375	750	1225	765	875	275	1310	485	174	235
JCA376	800	1253	780	895	281	1340	495	174	235
JCA377	850	1280	800	915	295	1370	507	200	255
JCA378	900	1300	810	927	297	1386	513	200	255
JCA379	950	1327	830	950	308	1425	527	200	255
JCA380	1000	1350	840	965	315	1450	536	200	255
JCA381	1100	1394	875	1000	320	1490	555	215	280
JCA382	1200	1435	900	1030	330	1540	570	215	280
JCA383	1300	1475	925	1055	341	1580	585	215	280
JCA384	1400	1510	945	1080	350	1620	600	215	280
JCA385	1500	1545	970	1100	365	1660	610	215	280
JCA386	1600	1578	990	1130	366	1690	627	236	310
JCA387	1700	1608	1008	1150	373	1725	638	236	310
JCA388	1800	1640	1030	1175	380	1760	650	236	310
JCA389	1900	1670	1055	1190	390	1790	660	236	310
JCA390	2000	1700	1080	1220	390	1825	675	236	310
JCA391	2200	1750	1100	1250	410	1880	695	256	340
JCA392	2400	1800	1130	1290	420	1940	717	256	340

Item No.	Nominal Weight (kg)	Size (mm)							
		A	B	C	D	E	F	G	H
JCA393	2600	1855	1160	1330	420	1990	737	279	380
JCA394	2800	1900	1190	1365	435	2040	755	279	380
JCA395	3000	1950	1220	1400	445	2090	770	279	380
JCA396	3250	2000	1250	1430	460	2140	790	284	385
JCA397	3500	2050	1285	1470	470	2200	810	284	385
JCA398	4000	2132	1340	1530	490	2280	850	305	410
JCA399	4500	2224	1395	1590	510	2385	880	310	410
JCA400	5000	2335	1460	1670	540	2505	927	343	450
JCA401	5300	2350	1470	1680	540	2520	930	343	450
JCA402	5800	2430	1525	1745	560	2610	965	343	450
JCA403	6000	2484	1555	1780	575	2665	986	370	480
JCA404	6500	2520	1580	1810	580	2710	1002	370	480
JCA405	7000	2580	1610	1840	595	2755	1020	370	480
JCA406	7400	2635	1650	1890	605	2825	1045	377	500
JCA407	8000	2686	1685	1930	615	2880	1065	391	540
JCA408	8300	2736	1710	1950	635	2926	1085	391	540
JCA409	8800	2785	1745	1995	643	2990	1105	391	540
JCA410	9200	2830	1775	2030	650	3030	1120	418	580
JCA411	9600	2877	1800	2060	660	3080	1140	418	580
JCA412	10000	2920	1830	2090	670	3126	1157	437	600
JCA413	10500	2964	1860	2125	685	3180	1180	437	600
JCA414	12000	3100	1940	2220	715	3320	1230	452	630
JCA415	13500	3200	2010	2290	740	3435	1270	468	640
JCA416	14000	3260	2045	2330	760	3495	1294	483	660
JCA417	15000	3360	2100	2410	770	3600	1330	498	680

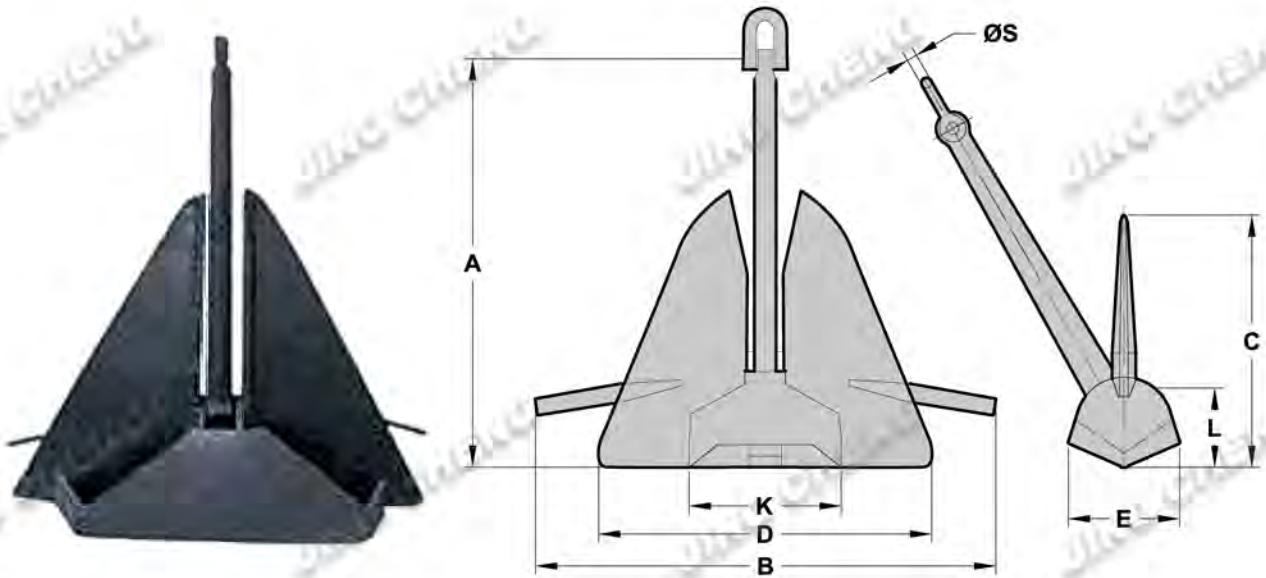
CJN-SB TYPE HHP ANCHOR



Item No.	Nominal Weight (kg)	Size (mm)					
		A	B	C	D	E	F
JCA418	60	590	555	470	364	157	270
JCA419	80	664	605	515	410	176	295
JCA420	100	712	655	555	440	190	320
JCA421	160	835	765	650	516	223	370
JCA422	200	885	825	700	546	236	400
JCA423	280	1008	925	780	622	269	450
JCA424	360	1096	1005	855	677	292	490
JCA425	480	1186	1105	940	728	314	535
JCA426	600	1300	1190	1010	802	347	580
JCA427	765	1410	1290	1096	870	375	610
JCA428	1000	1526	1395	1185	942	404	660
JCA429	1080	1580	1446	1230	975	421	685
JCA430	1195	1636	1485	1270	1010	436	708
JCA431	1305	1680	1541	1308	1037	448	730
JCA432	1440	1738	1592	1352	1073	464	754
JCA433	1575	1769	1640	1386	1092	472	777
JCA434	1710	1840	1686	1455	1137	491	798
JCA435	1845	1890	1729	1469	1168	504	819
JCA436	1980	1935	1770	1504	1195	516	836
JCA437	2140	1985	1816	1543	1226	530	860
JCA438	2295	2030	1860	1580	1254	540	880
JCA439	2655	2140	1954	1684	1322	566	926
JCA440	2835	2188	1996	1700	1351	580	945
JCA441	3000	2238	2042	1736	1382	592	968
JCA442	3240	2287	2086	1773	1412	605	988

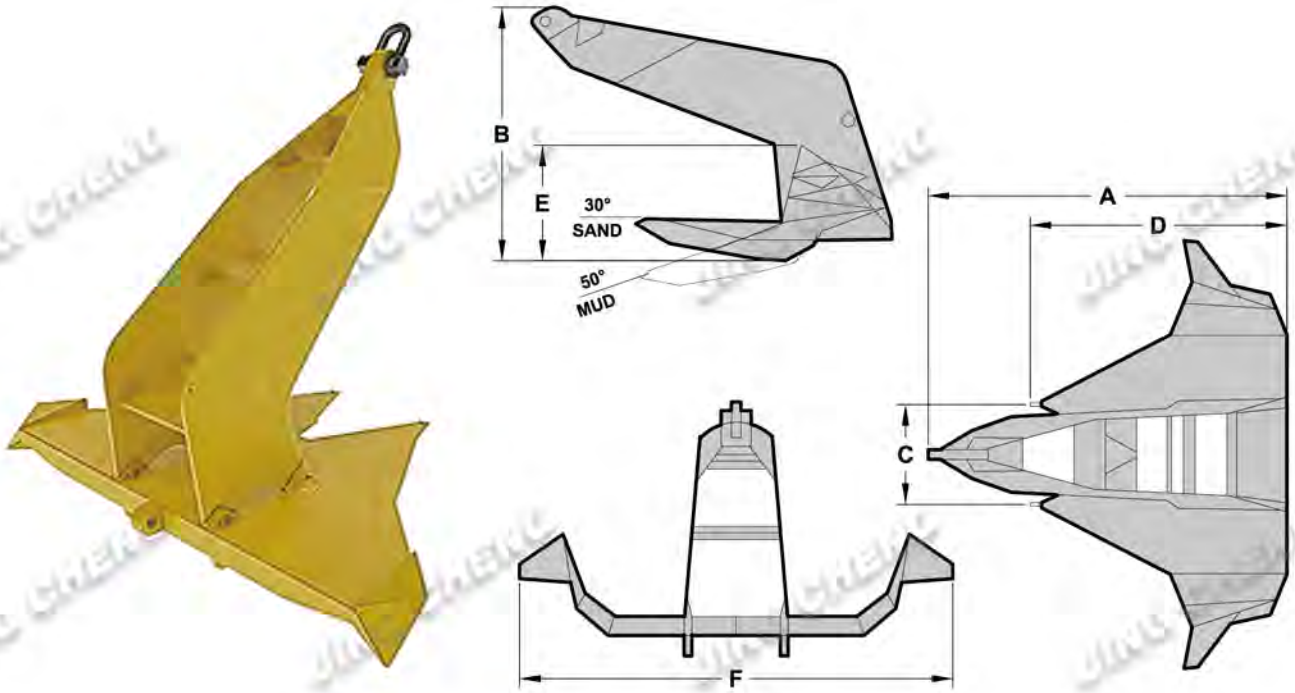
Item No.	Nominal Weight (kg)	Size (mm)					
		A	B	C	D	E	F
JCA443	3940	2442	2226	1892	1508	646	1055
JCA444	4500	2553	2328	1976	1576	675	1103
JCA445	5175	2675	2439	2072	1651	708	1155
JCA446	5515	2730	2491	2116	1686	722	1180
JCA447	5850	2786	2541	2159	1720	737	1204
JCA448	6225	2838	2594	2204	1750	756	1229
JCA449	6525	2880	2635	2239	1780	768	1248
JCA450	6975	2948	2695	2290	1820	786	1276
JCA451	7425	3010	2760	2338	1858	802	1303
JCA452	7875	3069	2805	2384	1895	818	1329
JCA453	8775	3180	2908	2471	1964	848	1376
JCA454	9225	3235	2968	2512	1997	862	1401
JCA455	9675	3286	3004	2553	2029	876	1423
JCA456	10125	3337	3060	2592	2060	890	1445
JCA457	10575	3386	3095	2630	2090	902	1468
JCA458	12075	3538	3236	2748	2184	943	1533
JCA459	12675	3596	3288	2794	2220	958	1556
JCA460	13350	3658	3346	2842	2258	975	1585
JCA461	14100	3726	3406	2894	2300	993	1614
JCA462	15000	3804	3476	2954	2348	1014	1646
JCA463	17250	3985	3643	3095	2460	1062	1726
JCA464	20825	4240	3887	3285	2618	1130	1832
JCA465	24750	4495	4109	3491	2775	1198	1947
JCA466	28875	4717	4324	3675	2912	1258	2049

STEVIN MK3 ANCHOR



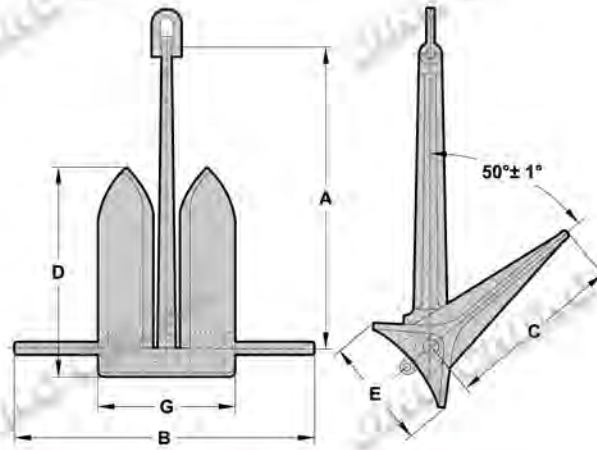
Item No.	Nominal Weight (kg)	Size (mm)							
		A	B	C	D	E	K	L	S
JCA467	1000	2429	2654	1559	2023	737	1010	412	60
JCA468	1500	2774	3038	1785	2316	843	1156	471	65
JCA469	3000	3493	3828	2249	2918	1063	1456	594	80
JCA470	5000	4120	4538	2667	3460	1260	1727	704	80
JCA471	7000	4602	5077	2983	3871	1409	1932	788	90
JCA472	9000	5012	5521	3244	4209	1533	2100	857	100
JCA473	12000	5516	6076	3570	4632	1687	2312	943	110
JCA474	15000	5942	6545	3846	4990	1817	2490	1016	120
JCA475	20000	6372	6986	4100	5324	2048	2674	1083	160
JCA476	30000	7289	7997	4694	6094	2345	3061	1240	180

WELDING BRUCE HHP ANCHOR

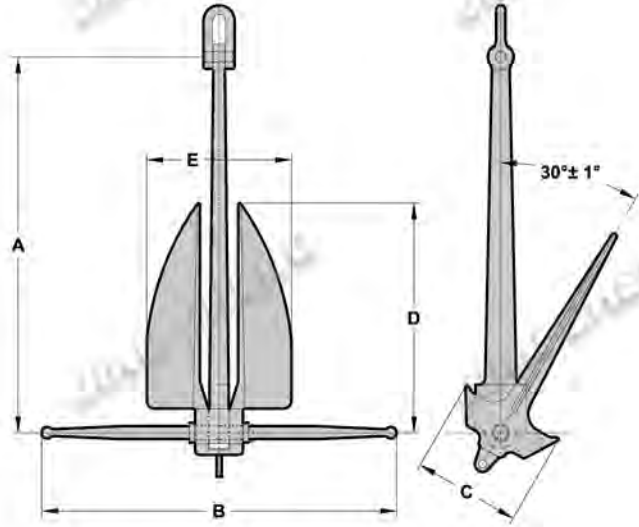


Item No.	Nominal Weight (kg)	Size (mm)					
		A	B	C	D	E	F
JCA477	500	1827	1280	500	1303	606	2188
JCA478	800	2073	1452	667	1479	688	2484
JCA479	1500	2648	1854	723	1888	878	3172
JCA480	3000	3409	2388	931	2431	1131	4085
JCA481	4500	3800	2751	1047	2733	1298	4605
JCA482	5000	4029	2822	1100	2873	1336	4828
JCA483	6000	4227	3028	1161	3031	1430	5104
JCA484	6500	4326	3131	1192	3110	1478	5242
JCA485	9000	4846	3394	1324	3456	1607	5806
JCA486	10000	5287	3563	1390	3628	1687	6095
JCA487	12000	5437	3808	1486	3878	1803	6514
JCA488	15000	5728	4012	1566	4085	1900	6864
JCA489	18000	6129	4292	1674	4371	2031	7343
JCA490	20000	6319	4426	1726	4507	2096	7571
JCA491	30000	7225	5060	1974	5153	2396	8656

OFFDRILL ANCHOR



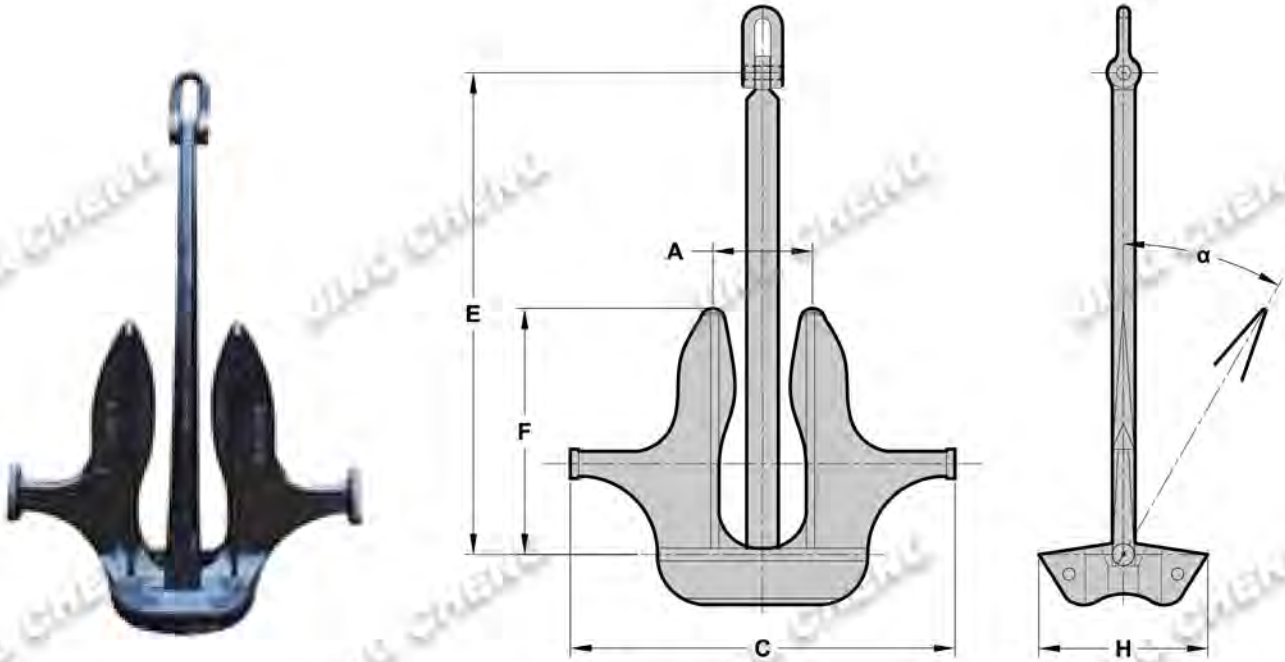
Item No.	Nominal Weight (kg)	Size (mm)					
		A	B	C	D	E	G
JCA492	227	1205	1330	725	865	395	485
JCA493	454	1520	1675	915	1090	500	625
JCA494	680	1770	2120	1050	1250	575	740
JCA495	908	1950	2340	1160	1380	630	815
JCA496	1136	2100	2520	1250	1485	680	875
JCA497	1360	2230	2655	1330	1580	725	930
JCA498	1590	2350	2820	1400	1665	765	980
JCA499	1815	2500	2945	1460	1740	800	1020
JCA500	2045	2555	3065	1520	1805	830	1065
JCA501	2270	2645	3175	1575	1870	860	1100
JCA502	2725	2815	3375	1675	1990	910	1170
JCA503	3180	2950	3540	1755	2090	940	1230
JCA504	3630	3095	3890	1840	2190	1012	1290
JCA505	4540	3335	4000	1985	2360	1070	1390
JCA506	5445	3540	4250	2110	2505	1140	1475
JCA507	6350	3730	4500	2220	2640	1228	1555
JCA508	7260	3900	4750	2320	2760	1280	1625
JCA509	9080	4200	4900	2500	2975	1385	1750
JCA510	11350	4500	5165	2680	3205	1530	1875
JCA511	13620	4810	5335	2860	3405	1545	2000
JCA512	15000	4900	5390	2955	3515	1585	2070
JCA513	18160	5120	5635	3090	3675	1692	2165
JCA514	20430	5330	5865	3215	3850	1760	2250
JCA515	22700	5600	6150	3360	4025	1900	2365
JCA516	27240	5950	6535	3570	4250	1955	2515
JCA517	31780	6260	6875	3755	4470	2055	2645



Item No.	Nominal Weight (kg)	Size (mm)				
		A	B	C	D	E
JCA518	14	770	730	222	444	288
JCA519	23	885	840	252	508	328
JCA520	34	965	915	279	559	366
JCA521	45	1055	1000	310	610	396
JCA522	70	1185	1130	348	686	450
JCA523	90	1205	1140	360	737	480
JCA524	140	1345	1270	414	825	540
JCA525	180	1460	1380	450	896	584
JCA526	230	1560	1480	482	952	610
JCA527	340	1750	1640	560	1068	680
JCA528	450	1910	1800	610	1165	740
JCA529	680	2190	2080	700	1340	840
JCA530	910	2350	2200	762	1435	940
JCA531	1140	2580	2450	825	1575	1000
JCA532	1360	2750	2600	880	1680	1060
JCA533	1500	2830	2680	912	1730	1080
JCA534	1820	2940	2790	952	1800	1120
JCA535	2270	2990	2840	984	1830	1130
JCA536	2730	3150	2990	1040	1930	1200
JCA537	3180	3200	3030	1070	1960	1240

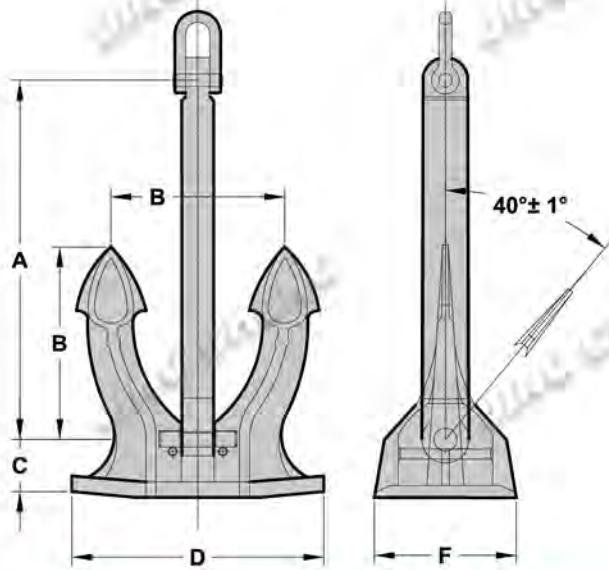
Item No.	Nominal Weight (kg)	Size (mm)				
		A	B	C	D	E
JCA538	3630	3250	3070	1105	1980	1276
JCA539	4100	3380	3200	1150	2060	1330
JCA540	4540	3490	3310	1180	2130	1370
JCA541	5000	3600	3420	1226	2200	1400
JCA542	5500	3710	3520	1264	2260	1450
JCA543	5900	3810	3610	1296	2320	1500
JCA544	6400	3910	3710	1334	2390	1540
JCA545	6800	3990	3790	1362	2440	1570
JCA546	7300	4080	3870	1394	2490	1610
JCA547	7700	4170	3950	1422	2540	1640
JCA548	8200	4240	4020	1448	2590	1670
JCA549	8600	4320	4100	1474	2640	1700
JCA550	9100	4390	4170	1500	2690	1730
JCA551	10000	4540	4300	1546	2770	1780
JCA552	11100	4730	4480	1614	2890	1860
JCA553	13600	5030	4800	1716	3070	1980
JCA554	15000	5200	4950	1774	3170	2050
JCA555	16000	5290	5050	1804	3230	2080
JCA556	18000	5540	5280	1904	3330	2180
JCA557	20000	5710	5450	1950	3480	2250

GB57-77 MATROSOV HHP ANCHOR



Item No.	Nominal Weight (kg)	Size (mm)					
		A	E	C	F	H	α
JCA558	25	130	570	690	385	214	28~30
JCA559	35	148	620	760	420	230	30~32
JCA560	50	170	680	840	480	250	30~32
JCA561	75	190	770	950	540	270	30~32
JCA562	100	210	830	1060	590	290	30~32
JCA563	125	226	870	1130	630	310	30~32
JCA564	150	242	910	1190	670	330	30~32
JCA565	200	270	980	1300	740	370	30~32
JCA566	250	294	1040	1380	800	400	33~37
JCA567	300	312	1090	1480	850	430	33~37
JCA568	400	342	1190	1630	930	480	33~37
JCA569	500	366	1280	1750	1000	520	33~37
JCA570	650	400	1385	1910	1090	565	33~37
JCA571	750	418	1450	2000	1140	590	33~37
JCA572	1000	452	1570	2170	1240	630	33~37
JCA573	1250	488	1660	2280	1300	660	33~37
JCA574	1500	515	1715	2370	1350	675	33~37

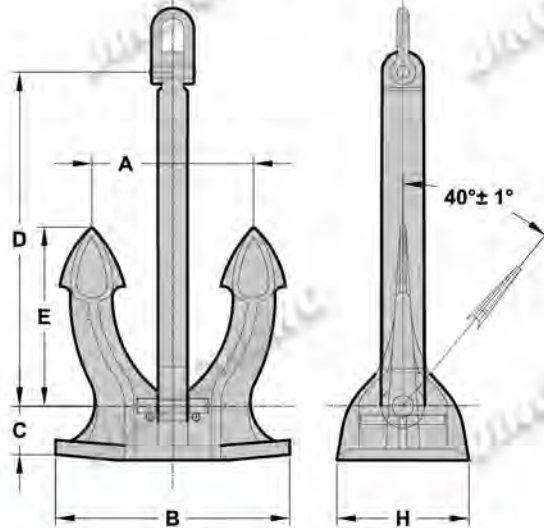
CB711-95 SPEK ANCHOR



Item No.	Nominal Weight (kg)	Size (mm)				
		A	B	C	D	F
JCA575	100	672	373	112	515	250
JCA576	150	770	428	128	590	290
JCA577	180	846	470	140	640	300
JCA578	240	900	500	150	690	358
JCA579	300	990	550	166	760	398
JCA580	360	1065	600	180	828	411
JCA581	420	1080	600	180	828	431
JCA582	500	1170	650	196	900	450
JCA583	570	1170	650	196	900	475
JCA584	660	1260	700	210	960	486
JCA585	780	1355	750	225	1032	519
JCA586	900	1440	800	240	1100	547
JCA587	1020	1530	850	252	1170	573
JCA588	1140	1620	900	268	1240	591
JCA589	1290	1710	900	268	1240	620
JCA590	1440	1710	950	279	1300	640
JCA591	1590	1710	950	279	1300	671
JCA592	1740	1800	1000	300	1378	689
JCA593	1920	1850	1050	312	1454	704
JCA594	2100	1890	1050	312	1454	717
JCA595	2280	2010	1050	312	1454	736
JCA596	2460	2010	1100	324	1514	764
JCA597	2640	2070	1150	352	1584	794
JCA598	2850	2070	1150	352	1584	804
JCA599	3060	2160	1200	360	1650	820
JCA600	3300	2155	1200	360	1650	834
JCA601	3540	2350	1200	360	1650	834
JCA602	3780	2430	1350	393	1850	880
JCA602	4050	2430	1350	393	1850	917

Item No.	Nominal Weight (kg)	Size (mm)				
		A	B	C	D	F
JCA603	4320	2520	1400	413	1926	917
JCA604	4590	2520	1400	413	1926	951
JCA605	4890	2520	1400	413	1926	954
JCA606	5250	2610	1450	414	2000	964
JCA607	5610	2610	1450	414	2000	981
JCA608	6000	2700	1500	446	2060	1006
JCA609	6450	2700	1500	446	2060	1028
JCA610	6900	2790	1550	456	2138	1034
JCA611	7350	2790	1550	456	2138	1062
JCA612	7800	2920	1550	456	2138	1091
JCA613	8300	3060	1700	510	2332	1126
JCA614	8700	3060	1700	510	2332	1156
JCA615	9300	3060	1700	510	2332	1169
JCA616	9900	3160	1700	510	2332	1188
JCA617	10500	3190	1770	531	2440	1188
JCA618	11100	3290	1770	531	2440	1212
JCA619	11700	3390	1770	531	2440	1237
JCA620	12300	3440	1910	573	2632	1279
JCA621	12900	3440	1910	573	2632	1279
JCA622	13500	3440	1910	573	2632	1316
JCA623	14100	3440	1910	573	2632	1353
JCA624	14700	3690	2050	615	2824	1369
JCA625	15400	3690	2050	615	2824	1369
JCA626	16100	3690	2050	615	2824	1387
JCA627	16900	3820	2120	636	2922	1415
JCA628	17800	3950	2120	636	2922	1431
JCA629	18800	3950	2190	657	3018	1461
JCA630	20000	4070	2190	657	3018	1493
JCA631	26000	4250	2360	716	3256	1618

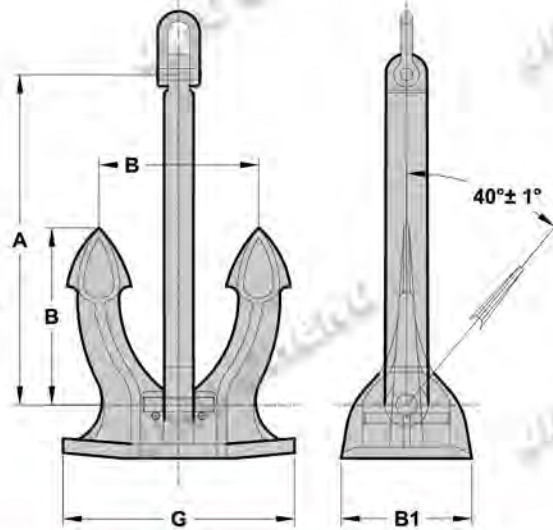
TYPE M SPEK ANCHOR



Item No.	Nominal Weight (kg)	Size (mm)					
		A	B	C	D	E	H
JCA632	80	339	468	108	611	336	222
JCA633	105	371	512	120	669	336	242
JCA634	135	371	512	149	669	368	254
JCA635	240	445	613	182	800	440	304
JCA636	300	527	727	168	949	522	344
JCA637	360	527	727	190	949	522	358
JCA638	420	590	813	188	1062	584	385
JCA639	480	590	813	211	1062	584	395
JCA640	570	652	900	208	1175	647	428
JCA641	660	653	900	208	1175	647	428
JCA642	780	725	1000	231	1305	718	473
JCA643	900	725	1000	264	1215	718	485
JCA644	1020	793	1093	252	1428	785	518
JCA645	1140	793	1093	277	1428	785	530
JCA646	1290	858	1183	273	1544	850	561
JCA647	1440	858	1183	299	1544	850	573
JCA648	1590	920	1268	293	1655	911	604
JCA649	1740	920	1268	315	1655	911	611
JCA650	1920	980	1350	312	1761	970	640
JCA651	2100	980	1350	337	1761	970	650
JCA652	2280	1038	1430	331	1866	1027	678
JCA653	2460	1038	1430	355	1866	1027	688
JCA654	2640	1090	1500	347	1959	1079	712
JCA655	2850	1190	1500	380	1950	1079	722
JCA656	3060	1144	1578	365	2058	1133	748
JCA657	3300	1144	1578	387	2058	1133	760
JCA658	3540	1202	1656	383	2159	1189	785
JCA659	3780	1202	1656	405	2159	1189	797
JCA660	4050	1257	1732	400	2258	1244	821

Item No.	Nominal Weight (kg)	Size (mm)					
		A	B	C	D	E	H
JCA661	4320	1257	1732	422	2258	1244	831
JCA662	4590	1257	1732	444	2258	1244	841
JCA663	4890	1338	1846	426	2405	1325	874
JCA664	5250	1338	1846	450	2405	1325	888
JCA665	5610	1432	1974	431	2405	1418	936
JCA666	6000	1432	1974	457	2577	1418	936
JCA667	6450	1432	1974	483	2577	1418	950
JCA668	6900	1533	2112	462	2757	1518	1001
JCA669	7350	1533	2112	488	2757	1518	1001
JCA670	7800	1533	2112	514	2757	1518	1015
JCA671	8300	1621	2234	489	2916	1605	1059
JCA672	8700	1621	2234	517	2916	1605	1059
JCA673	9300	1621	2234	545	2916	1605	1074
JCA674	9900	1726	2380	520	3015	1709	1128
JCA675	10500	1726	2380	550	3105	1709	1128
JCA676	11100	1726	2380	580	3105	1709	1138
JCA677	11700	1819	2507	554	3273	1801	1188
JCA678	12300	1819	2507	580	3273	1801	1188
JCA679	12900	1819	2507	607	3273	1801	1200
JCA680	13500	1904	2624	577	3425	1885	1243
JCA681	14100	1904	2624	607	3425	1885	1243
JCA682	14700	1904	2624	650	3425	1885	1243
JCA683	15400	1904	2624	657	3425	1885	1263
JCA684	16100	2018	2782	612	3632	1998	1318
JCA685	16900	2018	2782	638	3632	1998	1318
JCA686	17800	2018	2782	683	3632	1998	1318
JCA687	18800	2018	2782	699	3632	1998	1343
JCA688	20000	2170	2990	652	3905	2148	1416

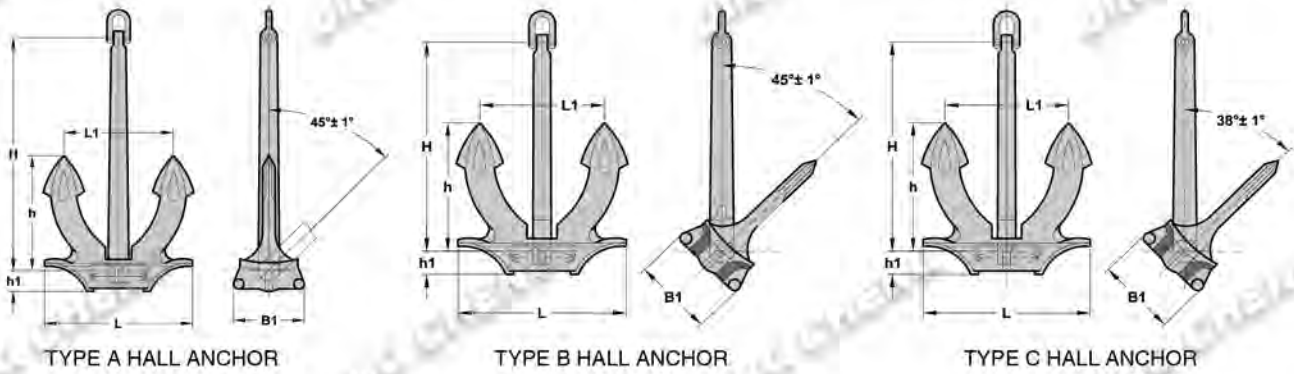
TYPE SR SPEK ANCHOR



Item No.	Nominal Weight (kg)	Size (mm)			
		A	B	B1	G
JCA689	210	900	500	340	690
JCA690	240	900	550	390	760
JCA691	300	1080	600	412	828
JCA692	420	1080	600	412	828
JCA693	450	1080	600	412	828
JCA694	480	1170	650	442	900
JCA695	570	1170	650	442	900
JCA696	610	1260	700	472	962
JCA697	660	1260	700	472	962
JCA698	750	1350	750	508	1032
JCA699	780	1350	750	519	1032
JCA700	900	1440	800	547	1100
JCA701	1020	1440	850	573	1170
JCA702	1040	1530	900	591	1240
JCA703	1100	1620	900	620	1240
JCA704	1200	1620	950	640	1300
JCA705	1300	1710	950	640	1300
JCA706	1400	1710	950	671	1300
JCA707	1500	1710	950	671	1300
JCA708	1650	1710	1000	669	1378
JCA709	1800	1800	1050	704	1454
JCA710	1920	1890	1050	717	1454
JCA711	2100	1890	1050	736	1454
JCA712	2190	1890	1050	736	1454
JCA713	2280	1890	1100	764	1454
JCA714	2460	1980	1150	794	1584
JCA715	2640	2070	1150	804	1584
JCA716	2850	2160	1200	812	1650
JCA717	3300	2160	1200	834	1650

Item No.	Nominal Weight (kg)	Size (mm)			
		A	B	B1	G
JCA718	3540	2160	1200	834	1650
JCA719	3780	2430	1350	880	1850
JCA720	4050	2430	1350	914	1850
JCA721	4320	2520	1400	917	1926
JCA722	4590	2520	1400	931	1926
JCA723	4890	2520	1400	954	1926
JCA724	5250	2610	1450	964	2000
JCA725	5610	2610	1450	981	2000
JCA726	5800	2700	1500	1006	2060
JCA727	6000	2700	1500	1006	2060
JCA728	6450	2700	1500	1023	2060
JCA729	6900	2790	1550	1034	2138
JCA730	7350	2790	1550	1062	2138
JCA731	7800	2790	1550	1091	2138
JCA732	8000	2790	1550	1091	2138
JCA733	8300	3060	1700	1125	2332
JCA734	8700	3060	1700	1166	2332
JCA735	9300	3060	1700	1188	2332
JCA736	9900	3060	1700	1188	2332
JCA738	10500	3186	1770	1197	2440
JCA739	11100	3186	1770	1212	2440
JCA740	11700	3186	1770	1237	2440
JCA741	12300	3438	1910	1260	2632
JCA742	12900	3438	1910	1260	2632
JCA743	13500	3438	1910	1316	2632
JCA744	14700	3690	2050	1369	2824
JCA745	16900	3942	2120	1415	2922
JCA746	18800	3942	2190	1461	3018
JCA747	20000	3942	2190	1493	3018

TYPE A,B,C HALL ANCHOR



Item No.	Nominal Weight (kg)	Size (mm)							
		Type A	Type B	Type C	h	h1	L	L1	B1
JCA748	40	557	557	430	303	67	430	303	198
JCA749	60	637	637	492	347	76	492	347	227
JCA750	100	760	760	590	410	90	584	410	227
JCA751	125	814	814	629	443	97	629	443	290
JCA752	150	866	866	665	470	103	760	470	308
JCA753	180	919	919	718	500	109	710	500	327
JCA754	240	1019	1019	788	552	120	790	552	361
JCA755	300	1095	1095	850	595	130	844	595	388
JCA756	360	1160	1160	898	630	138	898	630	412
JCA757	420	1160	1160	946	660	145	946	660	434
JCA758	480	1222	1222	986	690	152	988	690	454
JCA759	570	1355	1355	1042	732	161	1042	732	481
JCA760	660	1356	1356	1093	769	169	1096	769	506
JCA761	780	1506	1506	1170	813	178	1160	813	535
JCA762	900	1580	1580	1215	855	188	1220	855	560
JCA763	1020	1645	1645	1268	855	188	1220	855	560
JCA764	1140	1705	1705	1316	926	203	1319	926	605
JCA765	1290	1778	1778	1378	891	195	1268	891	584
JCA766	1440	1844	1844	1448	965	203	13791	965	630
JCA767	1590	1906	1906	1511	1035	226	1475	1035	677
JCA768	1740	1966	1966	1571	1068	234	1517	1068	698
JCA769	1920	2031	2031	1602	1104	241	1568	1104	722
JCA770	2100	2093	2093	1651	1120	245	1560	1120	732
JCA771	2280	2150	2150	1716	1165	225	1657	1165	763
JCA772	2460	2207	2207	1785	1194	262	1700	1194	784
JCA773	2640	2259	2259	1843	1222	265	1730	1222	796
JCA774	2850	2318	2318	1890	1253	275	1787	1253	822
JCA775	3060	2374	2374	1935	1283	282	1832	1283	841
JCA776	3300	2432	2432	1985	1317	288	1880	1317	862
JCA777	3540	2490	2490	2032	1349	295	1926	1394	883
JCA778	3780	2547	2547	2077	1376	302	1965	1376	902
JCA779	4050	2610	2610	2125	1406	309	2008	1406	924
JCA780	4320	2695	2695	2171	1435	316	2051	1435	943
JCA781	4590	2712	2712	2216	1465	332	2093	1465	962
JCA782	4890	2769	2769	2263	1498	329	2135	1498	984
JCA783	5000	2800	2800	2317	1510	332	2156	1510	992
JCA784	5610	2899	2899	2369	1569	345	2234	1569	1031

TYPE A,B,C HALL ANCHOR



TYPE A HALL ANCHOR



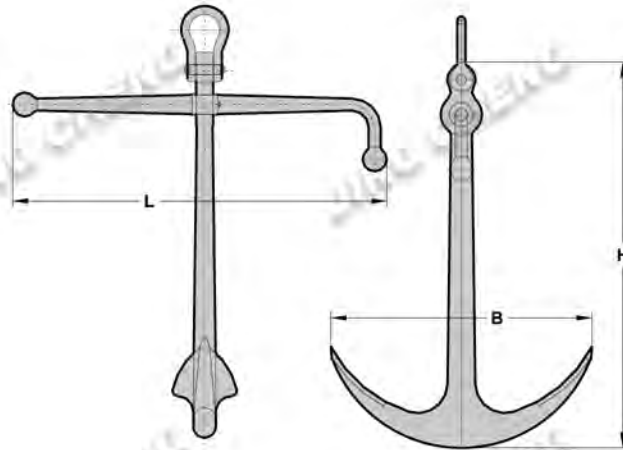
TYPE B HALL ANCHOR



TYPE C HALL ANCHOR

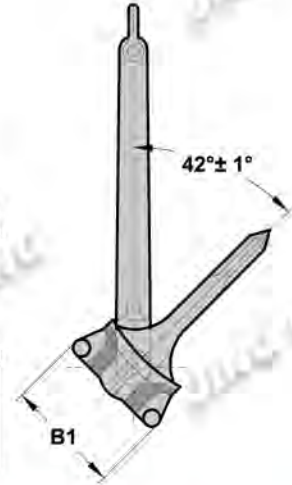
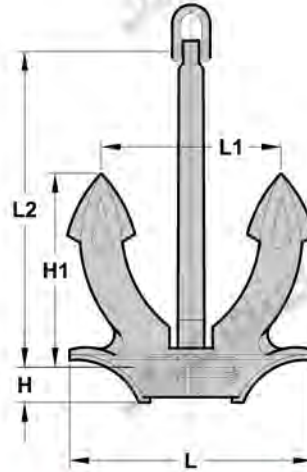
Item No.	Nominal Weight (kg)	Size (mm)							
		H			h	hT	L	L1	B1
		Type A	Type B	Type C					
JCA785	6000	2965	2965	2422	1605	352	2284	1605	1054
JCA786	6450	3037	3037	2482	1644	361	2340	1644	1080
JCA787	6900	3100	3100	2538	1681	369	2393	1681	1105
JCA788	7350	3100	3100	2592	1688	370	2400	1688	1109
JCA789	7800	3235	3235	2644	1752	385	2493	1752	1152
JCA790	8300	3363	3363	2699	1788	393	2545	1788	1176
JCA791	8700	3355	3355	2742	1816	399	2585	1816	1195
JCA792	9300	3430	3430	2804	1850	417	2632	1850	1226
JCA793	9900	3502	3502	2863	1896	417	2699	1896	1248
JCA794	10500	3571	3571	2920	1934	425	2752	1934	1273
JCA795	11100	3638	3638	2975	1970	433	2803	1970	1297
JCA796	11700	3702	3702	3028	2005	441	2853	2005	1320
JCA797	12300	3764	3764	3079	2039	448	2901	2039	1342
JCA798	12900	3824	3824	3128	2072	455	2947	2072	1363
JCA799	13500	3882	3882	3176	2104	462	2992	2104	1384
JCA800	14100	3939	3939	3222	2135	469	3036	2135	1404
JCA801	14700	3994	3994	3267	2165	476	3078	2165	1424
JCA802	15400	4056	4056	3299	2199	483	3126	2199	1446
JCA803	16100	4117	4117	3368	2232	490	3173	2232	1468
JCA804	16900	4184	4184	3423	2268	498	3225	2268	1492
JCA805	17800	4252	4252	3479	2308	506	3281	2308	1518
JCA806	18800	4330	4330	3543	2350	516	3341	2350	1546
JCA807	20000	4420	4420	3617	2399	526	3411	2399	1578
JCA808	21500	4528	4528	3705	2458	539	3494	2458	1617
JCA809	23000	4631	4631	3789	2514	551	3573	2514	1654
JCA810	24500	4730	4730	3870	2568	563	3649	2568	1689
JCA811	26000	4825	4825	3947	2619	574	3722	2619	1723
JCA812	27500	4916	4916	4021	2668	585	3792	2668	1756
JCA813	29000	5004	5004	4093	2716	595	3860	2716	1787
JCA814	31000	5126	5126	4188	2774	609	3949	2774	1822
JCA815	33000	5234	5234	4276	2833	622	4032	2833	1860
JCA816	35500	5363	5363	4381	2903	637	4132	2903	1906
JCA817	38500	5510	5510	4502	2982	655	4245	2982	1958
JCA818	42000	5672	5672	4634	3070	674	4370	3070	2015
JCA819	46000	5847	5847	4777	3165	695	4505	3165	2078

JAPAN STOCK ANCHOR



Item No.	Nominal Weight (kg)	Size (mm)		
		A	E	C
JAC820	500	2000	2065	1350
JAC821	700	2260	2335	1510
JAC822	750	2310	2342	1560
JAC823	1000	2550	2637	1700
JAC824	1500	2890	2960	1950
JAC825	2000	3160	3272	2140
JAC826	3000	3630	3555	2650
JAC827	3500	3810	3820	2570
JAC828	4000	4000	4135	2920
JAC829	5000	4310	4470	3140
JAC830	6000	4580	4740	3330
JAC831	7000	4820	4980	3530
JAC832	8000	5040	5215	3620

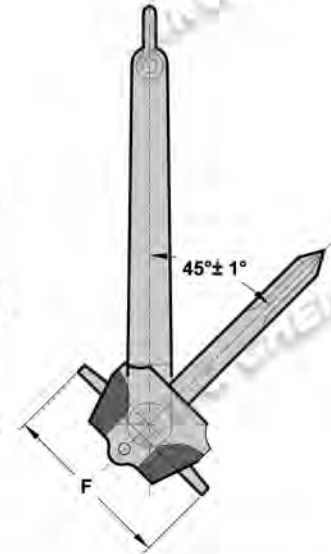
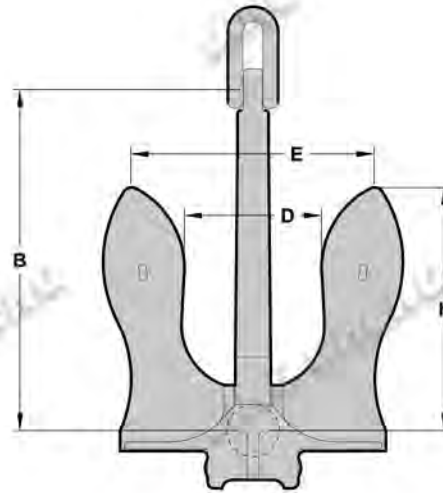
JAPAN STOCKLESS ANCHOR



Item No.	Nominal Weight (kg)	Size (mm)					
		L	L1	L2	H	H1	B1
JCA833	180	650	459	910	111	480	280
JCA834	240	720	510	1010	122	530	310
JCA835	300	770	540	1080	131	570	331
JCA836	360	820	580	1150	139	610	353
JCA837	420	860	610	1200	146	640	370
JCA838	480	900	640	1260	153	670	387
JCA839	570	950	670	1330	162	700	408
JCA840	660	1000	710	1440	170	740	430
JCA841	780	1060	750	1480	180	780	456
JCA842	900	1110	780	1550	189	820	477
JCA843	1020	1160	820	1620	197	860	500
JCA844	1140	1200	850	1680	204	890	520
JCA845	1290	1250	880	1750	212	920	540
JCA846	1440	1300	920	1820	221	960	560
JCA847	1590	1340	950	1880	228	990	580
JCA848	1740	1380	980	1930	235	1020	600
JCA849	1920	1430	1010	2000	243	1060	620
JCA850	2100	1470	1040	2060	250	1090	640
JCA851	2280	1510	1070	2110	257	1120	650
JCA852	2460	1550	1100	2170	264	1150	670
JCA853	2640	1590	1120	2230	270	1180	690
JCA854	2850	1630	1150	2280	277	1210	700
JCA855	3060	1670	1180	2340	284	1240	720
JCA856	3300	1710	1210	2390	291	1270	740
JCA857	3540	1750	1240	2450	298	1290	750
JCA858	3780	1790	1260	2510	304	1320	770
JCA859	4050	1830	1290	2560	311	1350	790
JCA860	4320	1870	1320	2620	318	1380	800
JCA861	4590	1910	1350	2670	325	1410	820
JCA862	4890	1950	1380	2730	332	1440	840
JCA863	5250	2000	1410	2800	340	1480	860
JCA864	5610	2040	1440	2860	347	1510	880
JCA865	6000	2090	1480	2930	355	1540	900

Item No.	Nominal Weight (kg)	Size (mm)					
		L	L1	L2	H	H1	B1
JCA866	6450	2140	1510	3000	364	1580	920
JCA867	6900	2190	1550	3070	372	1620	940
JCA868	7350	2240	1600	3140	380	1660	960
JCA869	7800	2280	1610	3190	388	1680	980
JCA870	8300	2330	1650	3260	396	1720	1000
JCA871	8700	2380	1670	3320	403	1750	1020
JCA872	9300	2420	1710	3390	411	1790	1040
JCA873	9900	2470	1740	3460	420	1820	1060
JCA874	10500	2520	1800	3530	428	1880	1090
JCA875	11100	2570	1800	3600	437	1880	1090
JCA876	11700	2610	1855	3650	444	1945	1130
JCA877	12300	2650	1855	3710	450	1945	1130
JCA878	12900	2690	1885	3870	457	1975	1170
JCA879	13500	2740	1885	3840	466	1975	1170
JCA880	14100	2780	1960	3890	473	2050	1200
JCA881	14700	2820	1990	3950	479	2080	1210
JCA882	15400	2860	2020	4000	486	2110	1230
JCA883	16100	2900	2050	4060	493	2140	1250
JCA884	16900	2955	2080	4130	500	2180	1270
JCA885	17800	3000	2120	4200	510	2210	1290
JCA886	18800	3060	2160	4280	520	2260	1320
JCA887	20000	3120	2200	4370	530	2300	1340
JCA888	21500	3200	2260	4480	540	2360	1380
JCA889	23000	3270	2310	4580	560	2410	1410
JCA890	24500	3340	2360	4680	570	2460	1440
JCA891	26000	3410	2410	4770	580	2520	1470
JCA892	27500	3470	2450	4860	590	2560	1490
JCA893	29000	3530	2490	4940	600	2660	1550
JCA894	33000	3690	2610	5170	630	2720	1590
JCA895	35500	3780	2670	5290	640	2790	1630
JCA896	38500	3880	2740	5430	660	2860	1670
JCA897	42000	4000	2820	5600	680	2950	1720
JCA898	46000	4120	2910	5770	700	3040	1770

U.S.N (NAVY) STOCKLESS ANCHOR



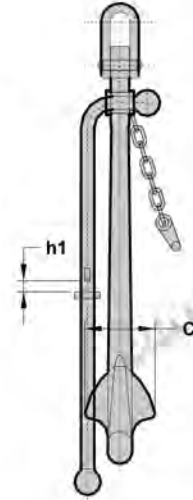
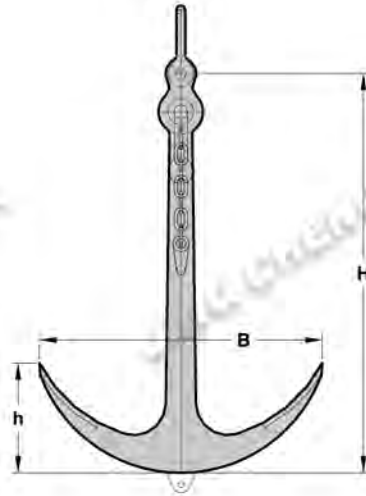
Item No.	Nominal Weight (kg)	Size (mm)				
		B	D	E	F	h
JCA899	300	727	319	562	348	510
JCA900	400	800	351	619	364	570
JCA901	500	863	379	666	412	614
JCA902	600	914	402	708	438	652
JCA903	750	984	423	763	461	687
JCA904	800	1008	443	778	483	710
JCA905	1000	1071	477	839	520	773
JCA906	1200	1152	507	892	532	822
JCA907	1300	1184	521	926	567	844
JCA908	1500	1244	546	962	596	883
JCA909	1800	1320	580	1021	632	941
JCA910	2000	1371	601	1058	655	975
JCA911	2200	1412	621	1092	676	1006
JCA912	2500	1473	648	1139	706	1050
JCA913	3000	1564	704	1270	775	1090
JCA914	3500	1641	725	1275	790	1175
JCA915	4000	1724	758	1333	826	1228
JCA916	5000	1884	816	1436	889	1323
JCA917	6000	1974	867	1528	947	1403
JCA918	7000	2082	913	1606	996	1480
JCA919	8000	2171	955	1679	1040	1547
JCA920	9000	2257	993	1747	1082	1609
JCA921	10000	2336	1028	1809	1120	1667
JCA922	11000	2413	1062	1868	1158	1721
JCA923	12000	2486	1093	1924	1193	1771
JCA924	13000	2540	1122	1965	1194	1819
JCA925	14500	2641	1144	2047	1270	1887
JCA926	15000	2679	1177	2089	1295	1908
JCA927	16000	2735	1203	2116	1311	1950
JCA928	18000	2844	1251	2200	1365	2028
JCA929	20000	2946	1296	2280	1412	2100
JCA930	22500	3060	1345	2370	1463	2134
JCA931	25000	3174	1396	2456	1521	2262
JCA932	30000	3371	1483	2628	1643	2404

SINGLE FLUKE ANCHOR



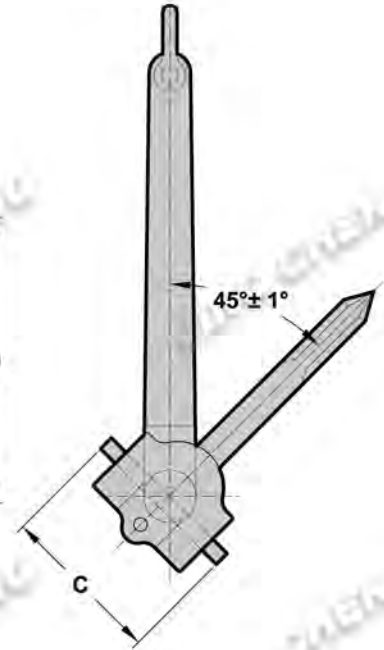
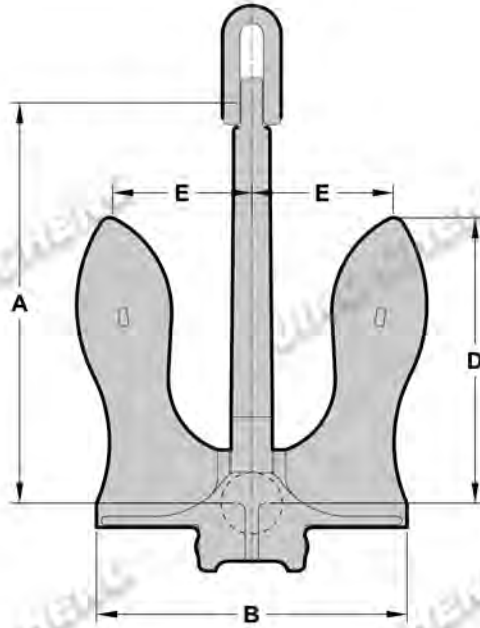
Item No.	Nominal Weight (kg)	Size (mm)				
		A	B	C	D	E
JCA933	75	1310	1100	360	455	465
JCA934	100	1445	1200	400	500	510
JCA935	150	1650	1380	455	575	585
JCA936	200	1820	1520	505	630	645
JCA937	300	2080	1740	575	725	735
JCA938	400	2290	1915	635	800	810
JCA939	500	2470	2065	680	855	875
JCA940	600	2620	2190	725	910	930
JCA941	800	2890	2415	800	1000	1020
JCA942	1000	3110	2600	860	1080	1100
JCA943	1250	3350	2800	925	1165	1185
JCA944	1500	3560	2980	985	1235	1260
JCA945	1750	3750	3135	1035	1300	1325
JCA946	2000	3920	3275	1085	1360	1385
JCA947	3000	4485	3750	1240	1555	1585
JCA948	4000	4940	4125	1360	1710	1745
JCA949	5000	5320	4440	1472	1845	1880
JCA950	6000	5650	4720	1560	1960	1995
JCA951	7000	5950	4970	1645	2065	2100
JCA952	8000	6220	5200	1720	2155	2200
JCA953	9000	6468	5400	1790	2240	2288
JCA954	10000	6700	5600	1852	2320	2154
JCA955	12000	7115	5950	1968	2465	2516
JCA956	15000	7670	6410	2120	2657	2710
JCA957	18000	8148	6810	2253	2823	2882
JCA958	20000	8400	7020	2320	2910	2970
JCA959	22000	8710	7275	2410	3020	3074
JCA960	25000	9080	7590	2510	3146	3212

GB/T545-1996 ADMIRALTY ANCHOR



Item No.	Nominal Weight (kg)	Size (mm)				
		H	h	h1	B	C
JCA961	50	960	230	42	635	185
JCA962	75	1105	266	45	710	210
JCA963	100	1215	293	49	780	230
JCA964	125	1310	316	52	840	245
JCA965	150	1395	336	55	900	265
JCA966	200	1535	370	61	990	290
JCA967	250	1650	398	65	1065	310
JCA968	300	1755	423	70	1105	330
JCA969	400	1930	465	77	1240	365
JCA970	500	2080	502	84	1335	390
JCA971	600	2210	533	89	1440	415
JCA972	700	2330	560	93	1500	440
JCA973	800	2435	587	97	1570	460
JCA974	900	2530	610	101	1630	475
JCA975	1000	2620	633	104	1685	495
JCA976	1250	2825	680	112	1810	535
JCA977	1500	3000	725	118	1955	565
JCA978	2000	3300	797	131	2140	625
JCA979	2500	3550	857	138	2270	672
JCA980	3000	3780	912	150	2415	715
JCA981	3500	3980	960	158	2540	750
JCA982	4000	4160	1000	155	2650	785
JCA983	5000	4480	1100	184	2830	800
JCA984	6000	4740	1113	190	3000	838
JCA985	7000	5025	1180	200	3165	960
JCA986	8000	5240	1280	210	3300	980
JCA987	9000	5450	1330	220	3440	990
JCA988	10000	5680	1340	230	3600	1085

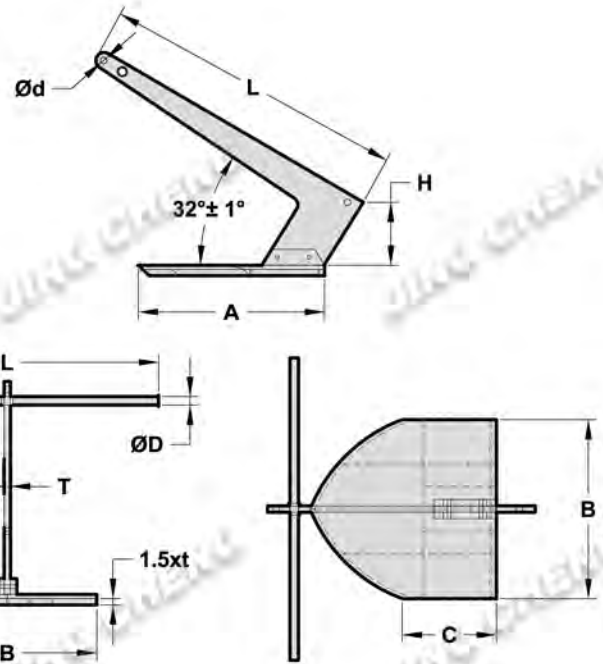
BELDT STOCKLESS ANCHOR



Item No.	Nominal Weight (kg)	Size (mm)				
		A	B	C	D	E
JCA989	160	634	404	219	336	175
JCA990	200	685	457	241	366	191
JCA991	250	749	524	269	404	210
JCA992	300	812	590	296	442	230
JCA993	400	812	654	330	482	250
JCA994	500	900	673	356	530	288
JCA995	750	965	770	407	584	308
JCA996	1000	1067	854	457	640	348
JCA997	1250	1165	923	475	720	370
JCA998	1500	1232	1005	515	748	392
JCA999	2000	1370	1092	558	848	430
JCA1000	2100	1370	1092	558	848	436
JCA1001	2500	1473	1136	568	848	448
JCA1002	3000	1625	1194	648	912	483
JCA1003	3500	1625	1340	698	1003	500
JCA1004	4000	1734	1354	705	1054	518
JCA1005	4500	1794	1440	735	1066	563
JCA1006	5000	1930	1460	762	1130	588
JCA1007	6000	1930	1613	844	1194	642
JCA1008	6300	1930	1613	844	1194	642

Item No.	Nominal Weight (kg)	Size (mm)				
		A	B	C	D	E
JCA1009	7000	2082	1691	882	1263	668
JCA1010	8000	2265	1691	894	1276	668
JCA1011	9000	2438	1784	924	1314	695
JCA1012	9500	2438	1851	957	1392	710
JCA1013	10000	2438	1918	990	1470	725
JCA1014	11000	2438	1950	1016	1473	778
JCA1015	12000	2438	1950	1016	1473	778
JCA1016	13000	2489	1949	1016	1473	799
JCA1017	14000	2616	2045	1118	1524	818
JCA1018	15000	2616	2184	1168	1600	875
JCA1019	16000	2738	2184	1168	1651	875
JCA1020	17200	2738	2184	1222	1660	875
JCA1021	18000	2850	2240	1232	1667	888
JCA1022	20000	2840	2440	1270	1866	990
JCA1023	25000	3048	2616	1365	1968	990
JCA1024	30000	3251	2794	1454	2096	1052
JCA1025	35000	3429	2946	1524	2210	1107
JCA1026	40000	3556	3073	1600	2311	1157
JCA1027	45000	3733	3200	1651	2388	1203
JCA1028	50000	3860	3327	1727	2515	1246

EGERSUND PLOUGH ANCHOR

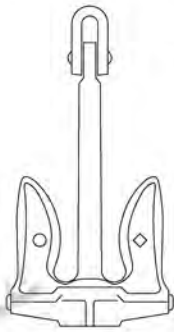


Item No.	Weight (kg)	Fluke					Shank				Stock
		A	B	C	t	T	L	H	Ød	ØD	
JCA1029	300	1030	945	550	20	34	1650	393	50	50	
JCA1030	500	1290	1220	650	22	40	2100	440	50	50	
JCA1031	700	1400	1280	700	28	45	2350	492	60	60	
JCA1032	1000	1560	1480	780	30	50	2590	551	60	70	
JCA1033	1500	1760	1690	890	39	60	2865	594	60	80	
JCA1034	2000	1970	1840	940	40	65	3000	712	75	900	
JCA1035	2500	2100	1980	970	45	70	3200	765	80	95	
JCA1036	3000	2200	2070	1050	50	75	3355	95	85	100	

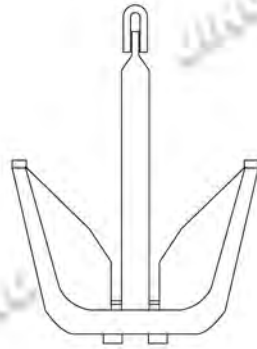
OTHER ANCHOR

If you are in need of other types
not listed in our catalogue
please contact our sales department.

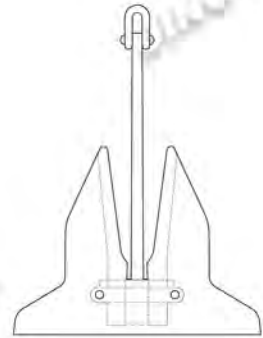
ANSALDO



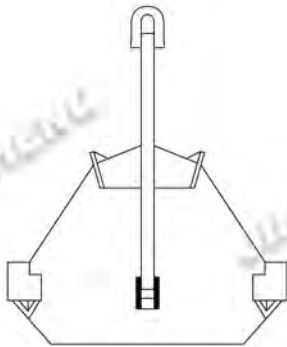
HEUSS - SPECIAL



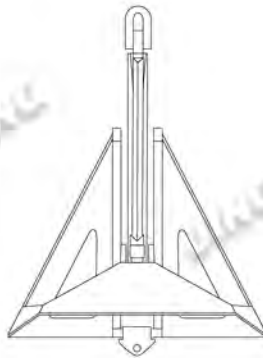
STOKES



HOOK



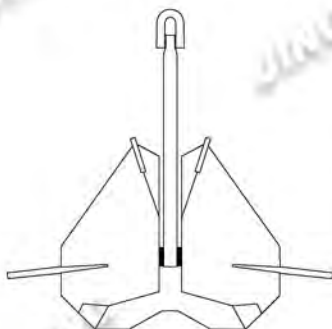
FLIPPER DELTA



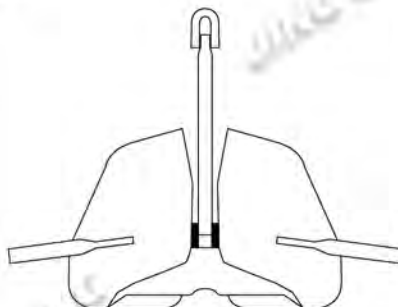
STEVIN



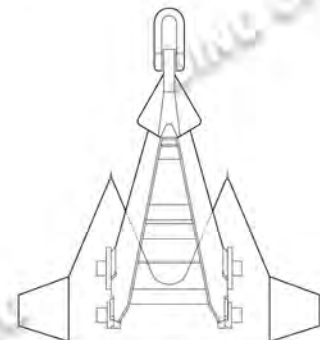
STEVFIX



STEV MUD

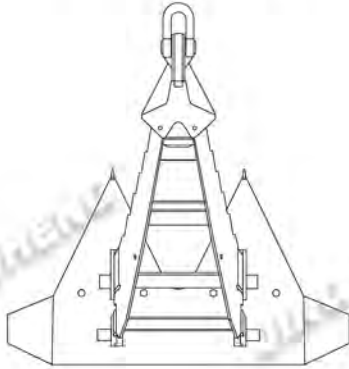


STEVPRIS

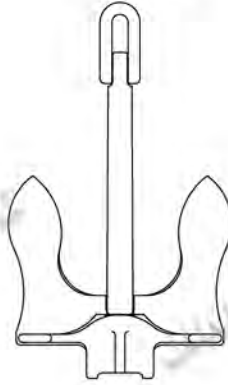


OTHER ANCHOR

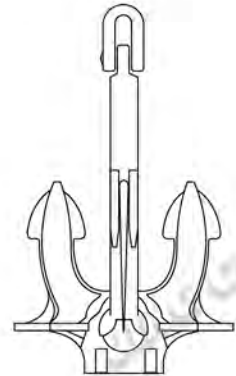
STEVSHARK



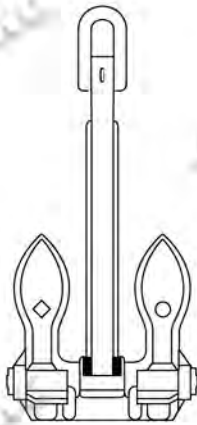
BALDT



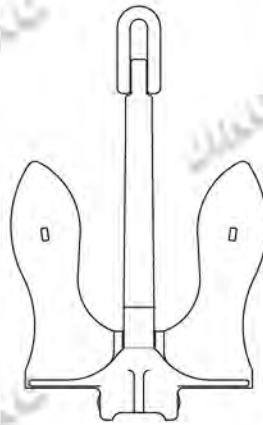
UNION



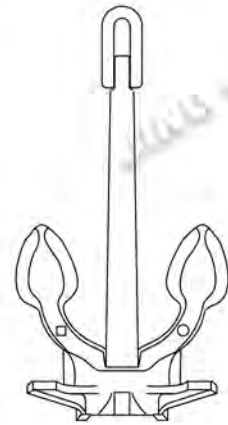
BYERS



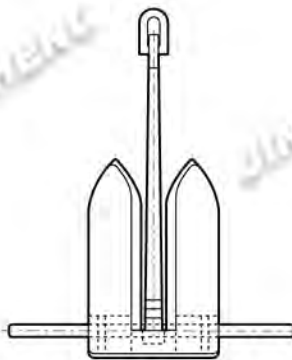
U.S. NAVY STOCKLESS



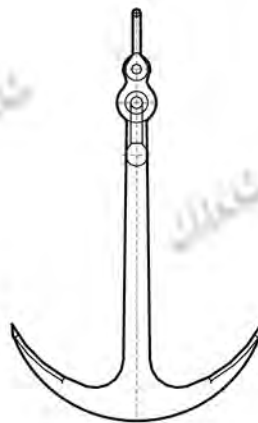
GRUSON



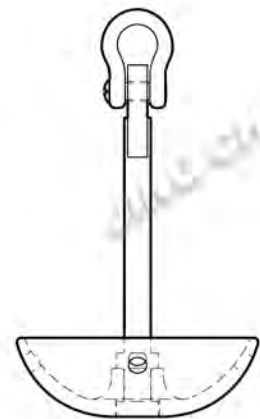
OFFDRILL

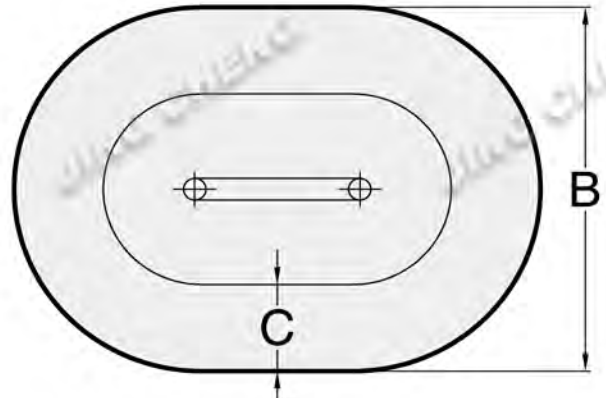
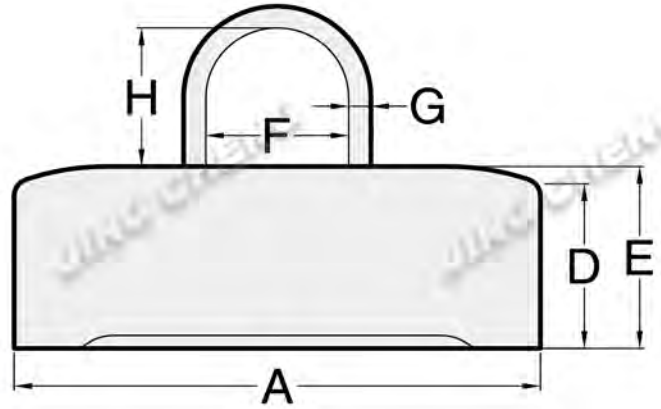


ADMIRALTY



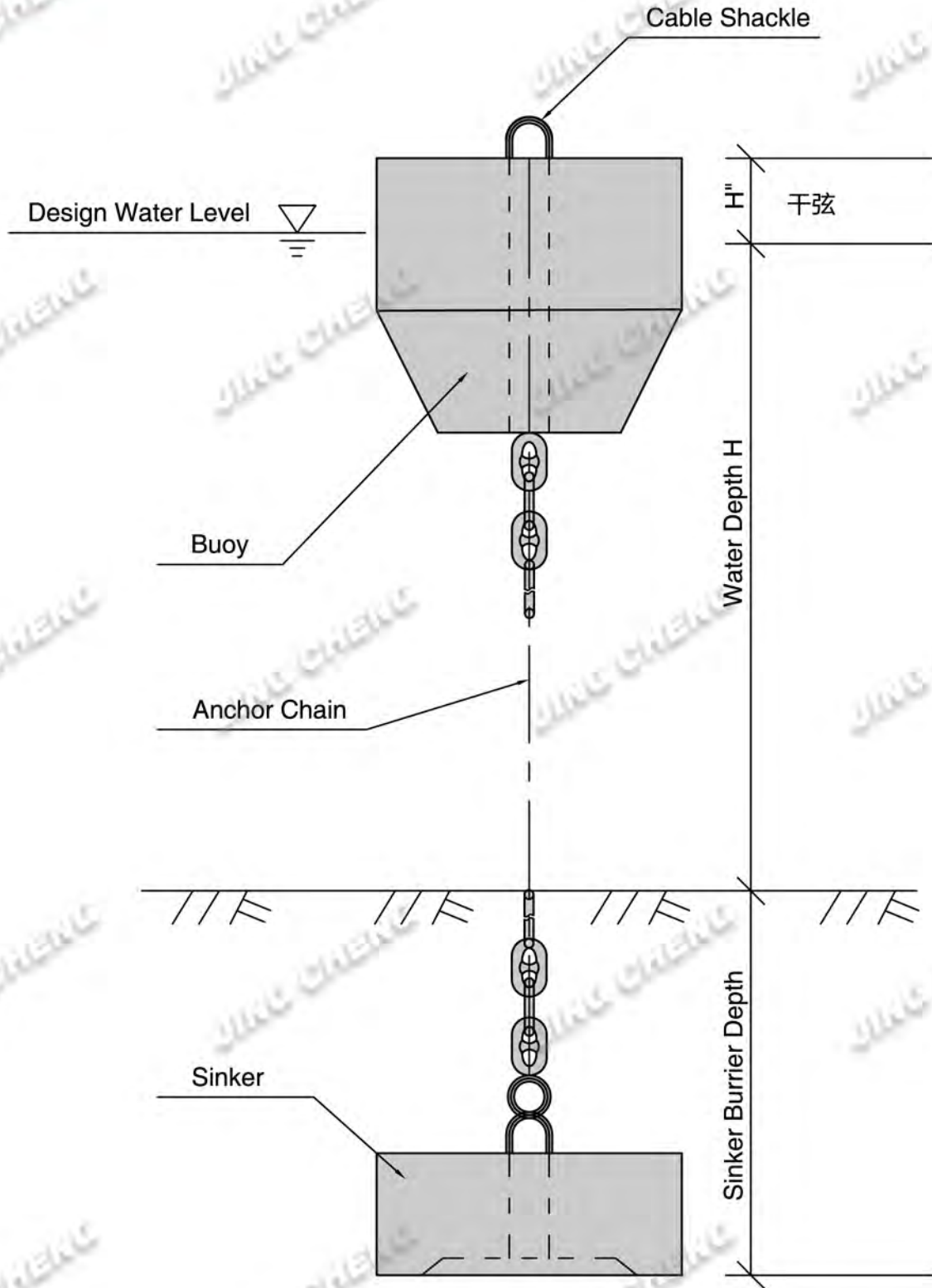
MUSHROOM



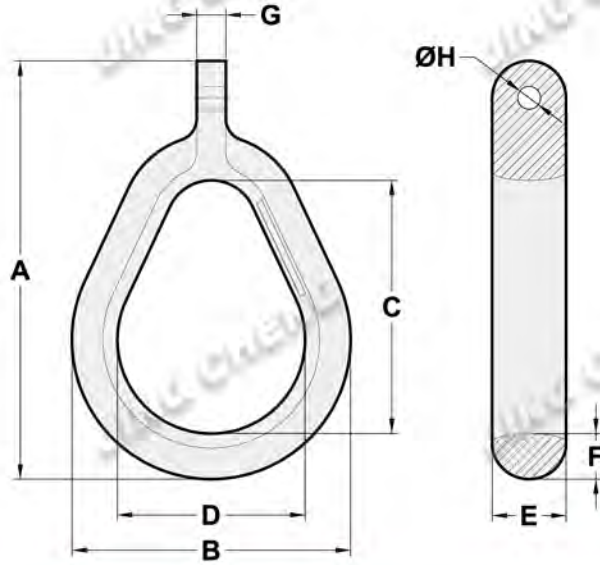


Item No.	Model NO.	Size (mm)							
		A	B	C	D	E	F	G	H
JCA1037	250KG	590	420	100	190	210	130	25	160
JCA1038	500KG	780	590	150	210	250	160	30	160
JCA1039	1000KG	1100	900	150	170	200	160	60	160
JCA1040	1500KG	1250	940	150	210	250	210	70	210
JCA1041	2000KG	1350	1010	100	250	290	210	70	210
JCA1042	2500KG	1450	1035	150	280	320	210	70	210
JCA1043	3000KG	1550	1160	150	280	320	210	70	210
JCA1044	4000KG	1580	1300	150	330	370	210	75	260
JCA1045	5000KG	1830	1370	150	360	400	210	75	260
JCA1046	7000KG	1830	1370	150	500	540	210	75	260

SINKER

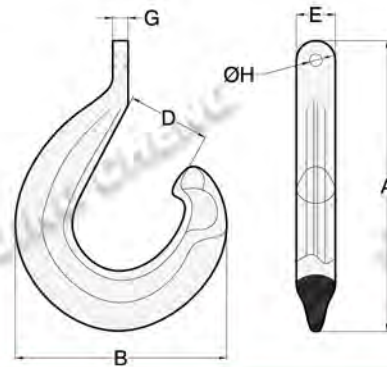


CHASER TYPE SOT



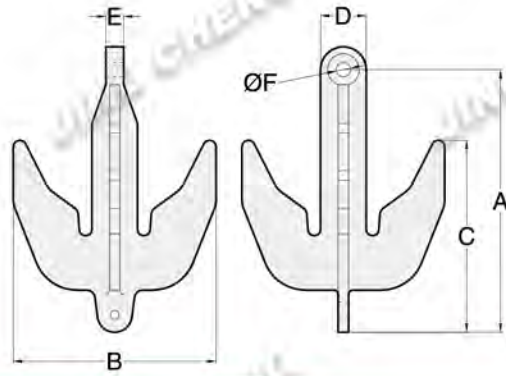
Item No.	Model NO.	Size (mm)							
		A	B	C	D	E	F	G	H
JAC1047	100	1657	1143	991	762	305	191	124	86
JAC1048	130	1702	1168	991	762	381	203	130	99
JAC1049	130	1867	1245	1130	838	330	203	130	99
JAC1050	250	2040	1361	1130	838	406	/	191	144

J-CHASER HOOK



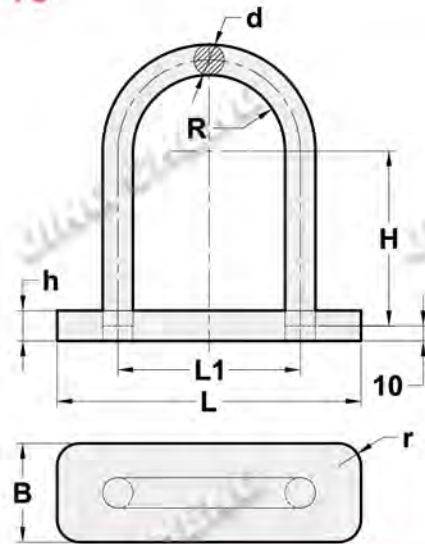
Item No.	Model NO.	Size (mm)					
		A	B	D	E	G	H
JCA1051	10T	782	566	229	105	41	33
JCA1052	20T	1040	759	307	140	55	45
JCA1053	30T	1219	882	357	163	64	52
JCA1054	40T	1267	917	371	170	66	60
JCA1055	50T	1563	1131	458	209	82	67
JCA1056	75T	1912	1384	560	256	100	82
JCA1057	110T	2438	1829	699	306	124	86
JCA1058	130T	2438	1829	699	320	124	86
JCA1059	150T	2528	1832	740	338	132	108
JCA1060	250T	2390	1730	720	350	180	145

GRAPNEL HOOK



Item No.	Model NO.	Size (mm)					
		A	B	C	D	E	F
JAC1061	10T	605	466	449	102	39	38
JAC1062	20T	800	617	594	135	51	50
JAC1063	30T	889	686	660	150	57	56
JAC1064	40T	1000	768	726	171	64	70
JAC1065	50T	1111	850	793	193	71	76
JAC1066	75T	1389	1054	958	264	89	90
JAC1067	110T	1778	1340	1190	320	114	110
JAC1068	130T	1778	1350	1200	330	114	110
JAC1069	150T	1786	1403	1240	337	117	118
JAC1070	250T	1823	1670	1440	370	130	145

CHAIN LOCKER EYE RING TYPE A CB 807-75



Item No.	Dia. of Chain	Size (mm)							
		L	L1	B	H	d	R	h	r
JCA1071	13-15	200	120	65	115	20	50	20	15
JCA1072	17-19	240	145	70	130	25	60	20	15
JCA1073	22-25	330	200	90	210	40	80	25	15
JCA1074	23-31	410	250	100	250	50	100	30	15
JCA1075	34-37	500	305	130	270	65	120	40	15
JCA1076	40-43	600	365	150	295	75	140	40	15

If you are in need of other types
not listed in our catalogue
please contact our sales department.



PANAMA CHOCK (TYPE BC)



PANAMA CHOCK (TYPE AC)



DIN81951 CHOCKS (TYPE A)



DIN81951 CHOCKS (TYPE C)



ISO13728 PANAMA CHOCK (TYPE A)



ISO13728 PANAMA CHOCK (TYPE B)



TOWING CHOCK (TYPE EU)



CURVED BOLLARD (TYPE A)



CURVED BOLLARD (TYPE B)



SINGLE-BITE BOLLARD (JIS TYPE)



J TYPE DOCK BOLLARD



TEE BOLLARD

MARINE CASTING STEEL



T-HEAD BOLLARD



TYPE STAG HORN BOLLARD



SINGLE-BITT (TYPE A)



DOUBLE BOLLARD



GB554-83 BOLLARD



ISO13795 BOLLARD (TYPE A)



ANCHOR SHACKLE



JIS F 2001-1990 BOLLARD



SINGLE CHASER HOOK



ANCHOR MOUTH



J LOCK CHASER



SPRING TOWING HOOK



SPRING TOWING HOOK



WARPING ROLLER DIN81906



WARPING ROLLER WITH PEDESTAL TYPE B DIN81907