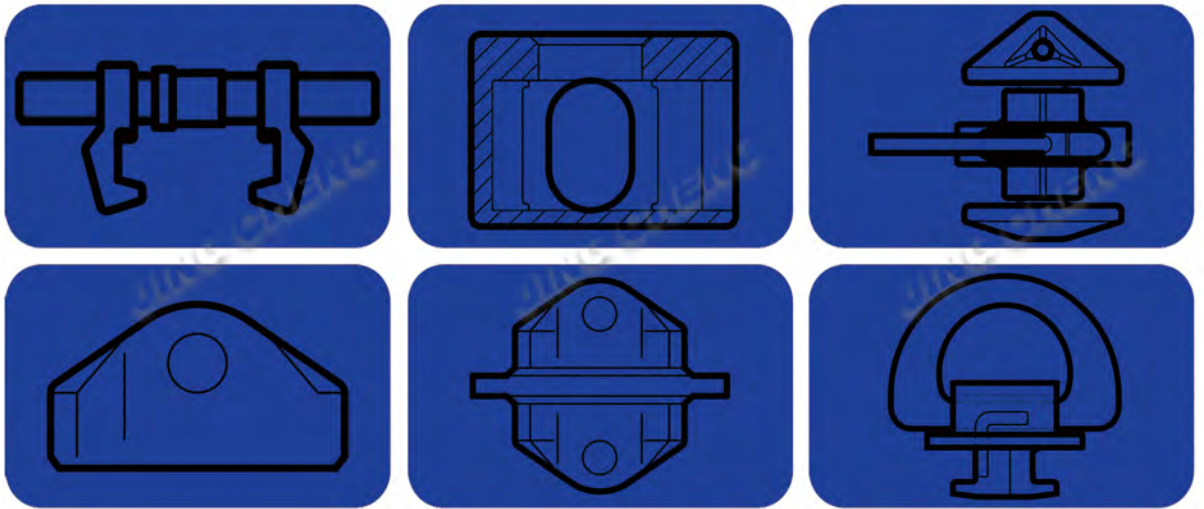


JINGCHENG

2022
FORGING

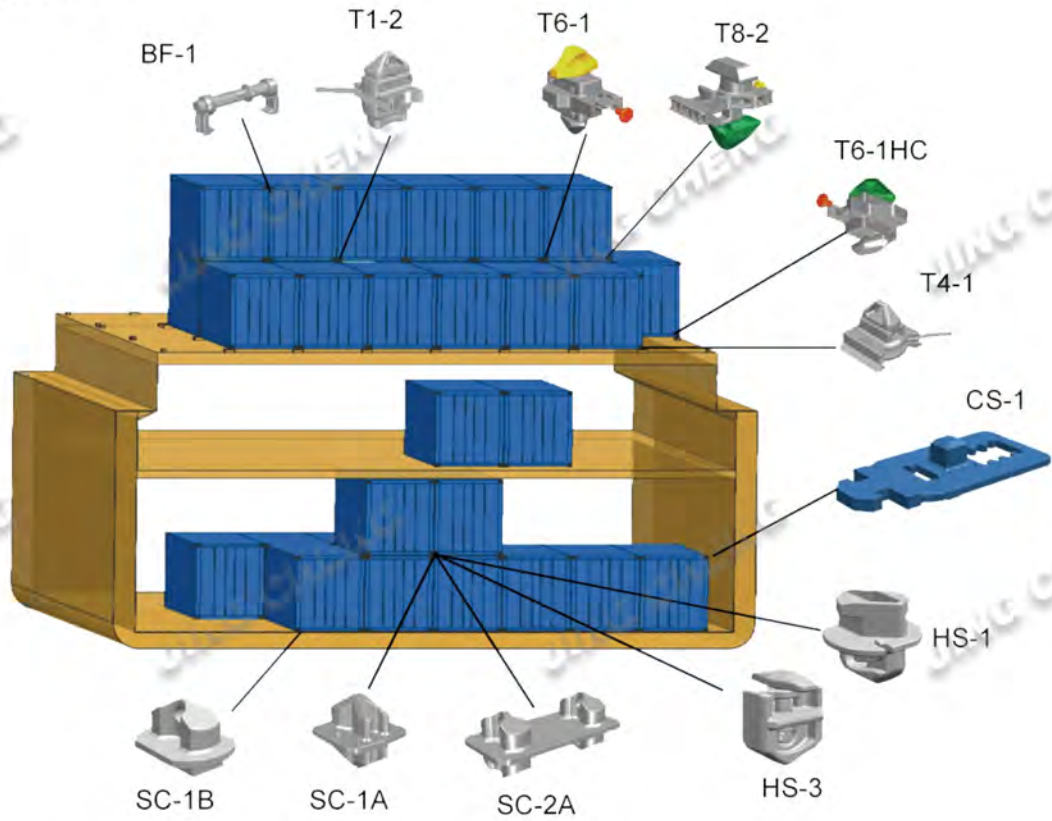
**CONTAINER
LASHING
EQUIPMENT**



Qingdao Jingcheng Forging Co., Ltd

www.qdjcforging.com

Loose Fittings



Fixed Fittings

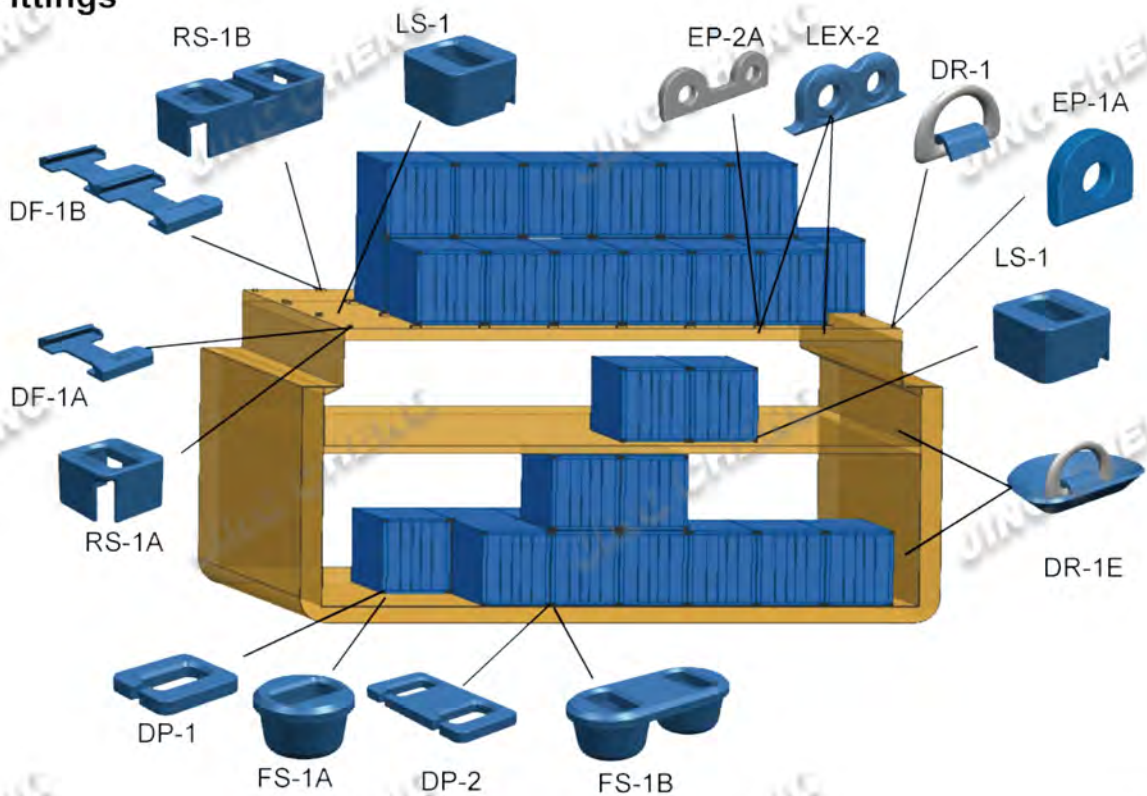
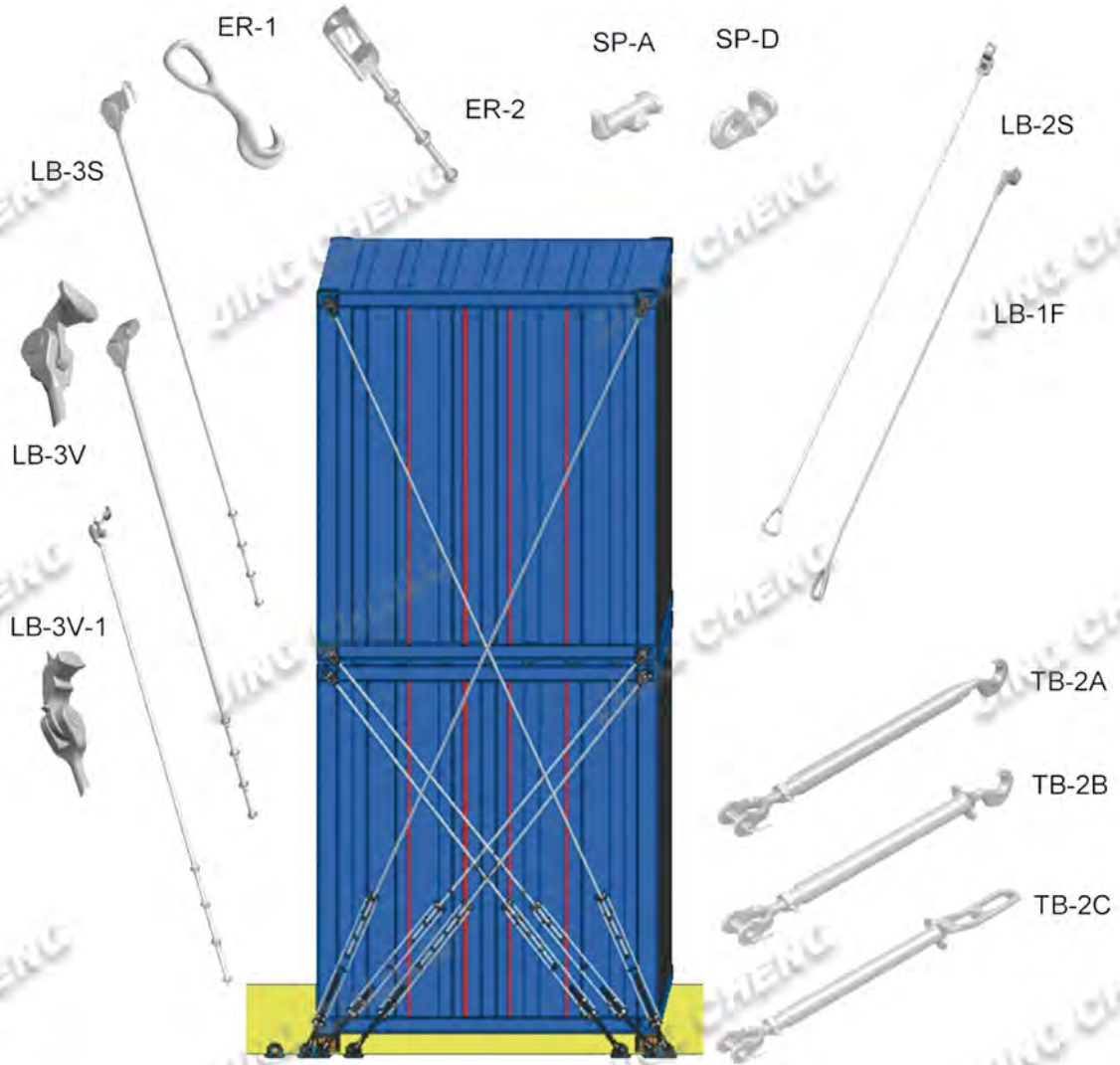


ILLUSTRATION FOR CONTAINER SECURING EQUIPMENT



TB-1A



TB-1B



TB-1C



TB-2B



TB-2C



TB-3



LB-2S



LB-3S



LB-3V



TB-E-65/TB-E-55

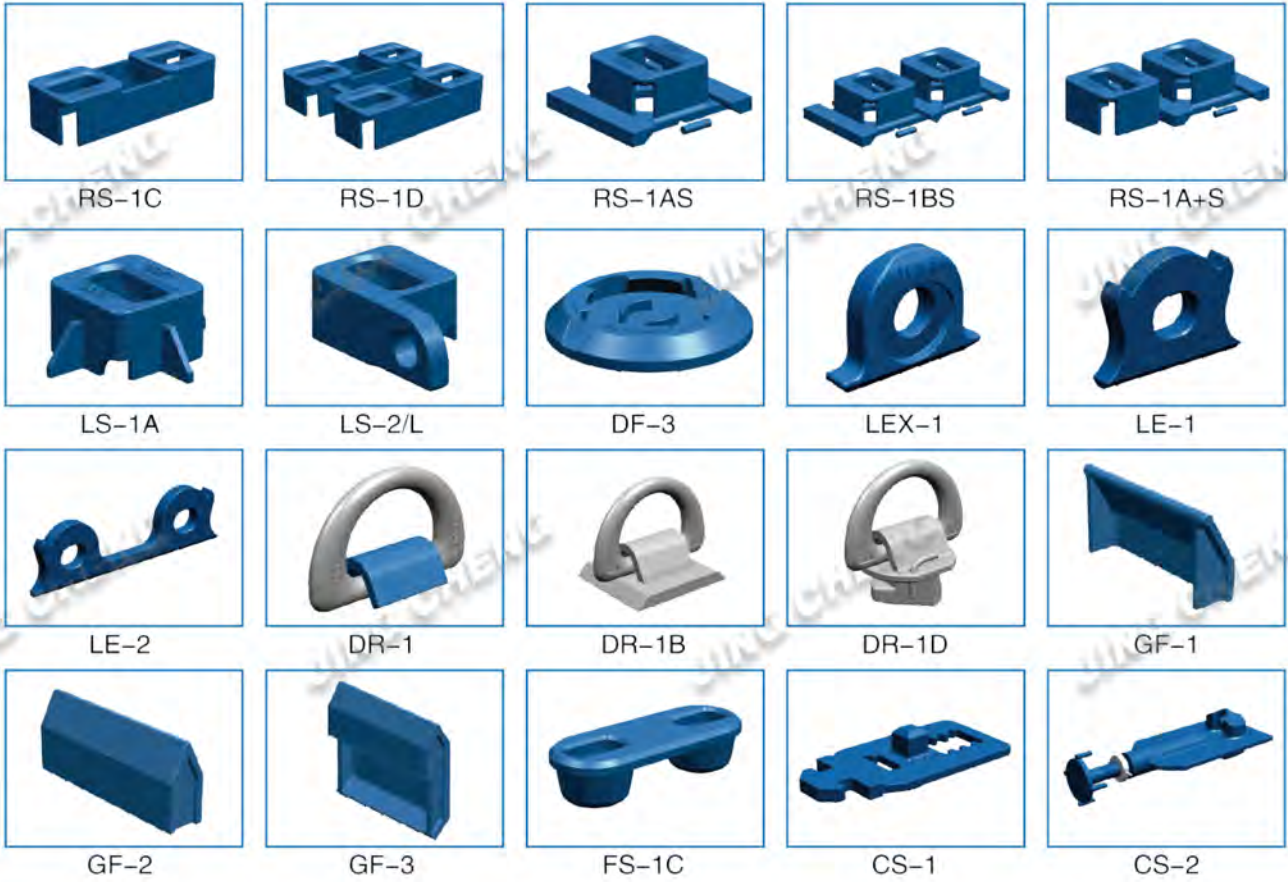


LB-2F-2



ER-1

FIXED FITTING



RoRo-equipment



ILLUSTRATION FOR CONTAINER SECURING EQUIPMENT



SP-B



SP-C



SH-1



TJ-1



TJ-2



SL



TB-1A-20



TB-1C-20



TL-2



TL-3



TB-1E-20



LC-1



RRE-1



RRE-2



TC-2



TC-3



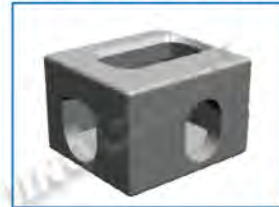
LC-2

Tool accessories

Container corner casting/TR,RL, BR,BL



Operating rods



Operating wrench/bar



SP-1



L-1



AP-1



AP-2

Emergency



AP-3



ET-1

Flatracks and storage bins



SB-1



FL-20'



FL-40'

Loose fittings

Twistlock



T1-2



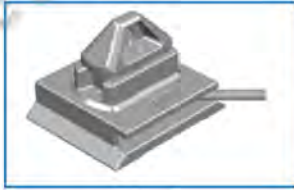
T2-1



T3-1



T4-1



T4-2



T5-1



T5-2



T5-3



T5-L



T9-1



T6-1



T6-1HC



T8-2



T3-2 (trains lock)



HS-1



HS-1A

Bridge fitting



HS-2A



HS-2



HS-3



BF-1



BF-2

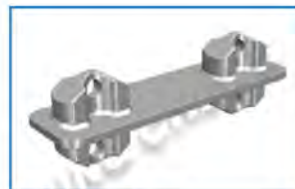
Stacking cones



SC-2A



SC-2B



SC-2C



SC-2D



SC-1A



SC-1B



GC-1

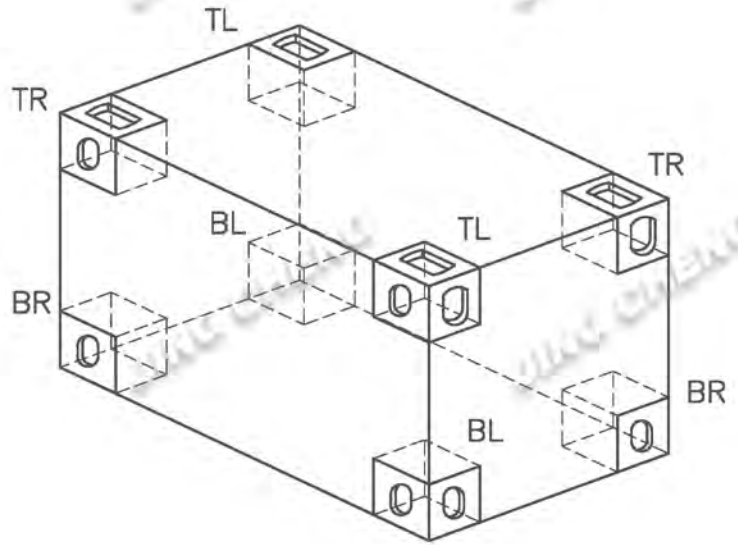


GC-2



GC-3

CONTAINER CASTING CORNER FITTINGS

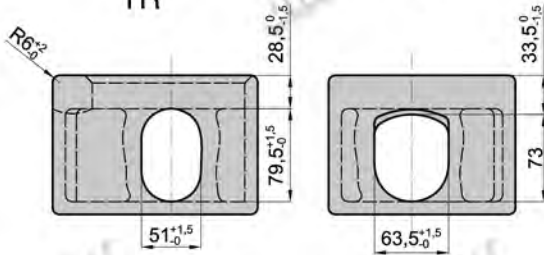


JCF001

Top corner fitting

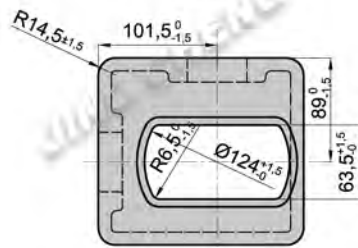
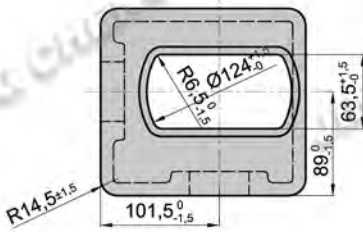
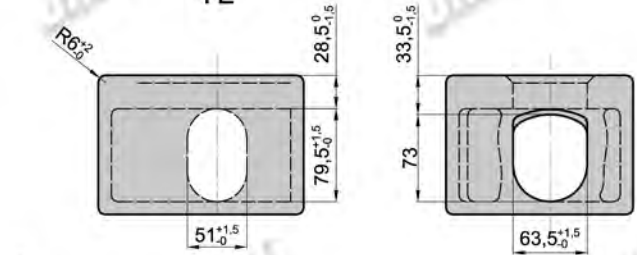
TR

right



left

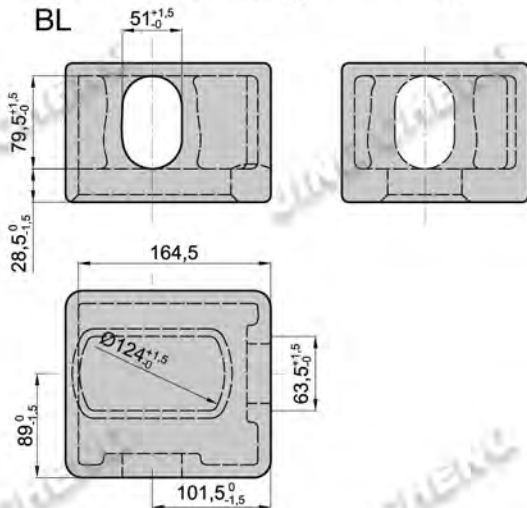
TL



Bottom corner fitting

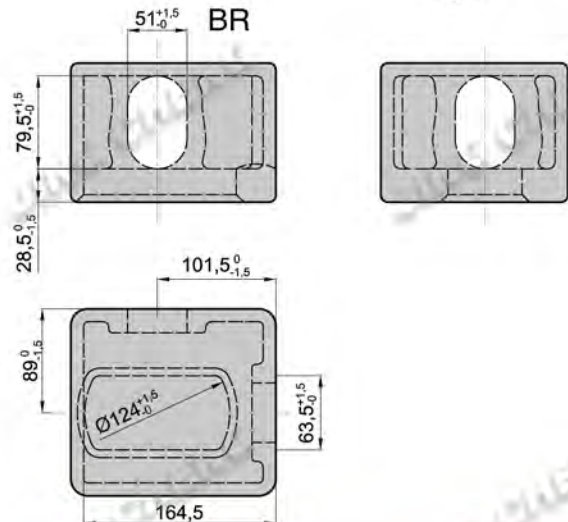
BL

left

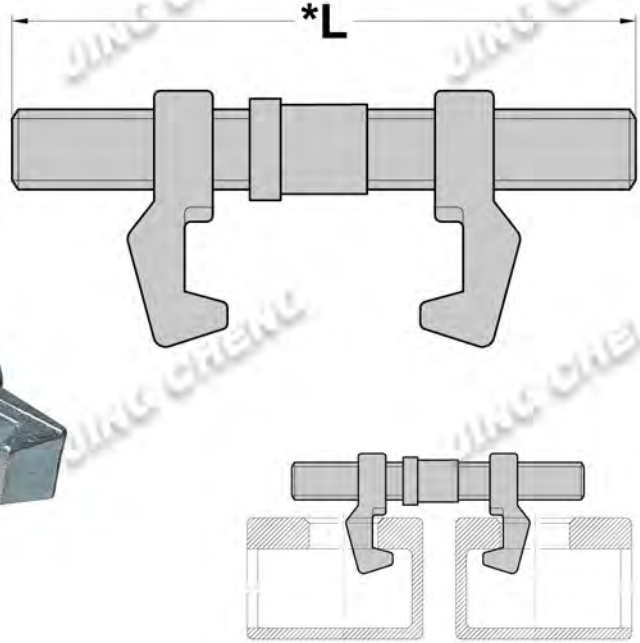


right

BR

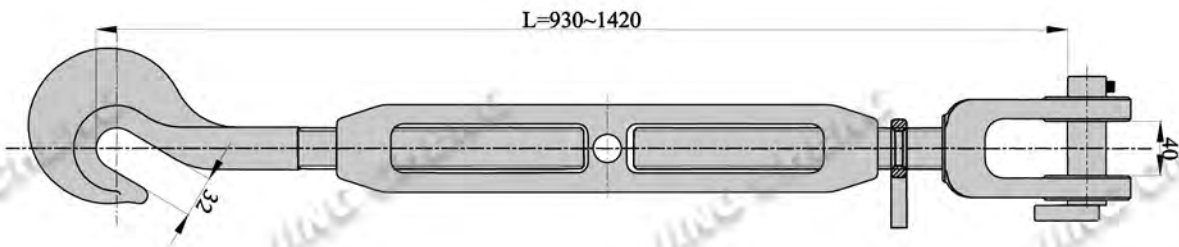


CONTAINER CASTING CORNER FITTINGS



Item No.	Size (mm)	Weight Each (kg)	Safe Working Load (kn)	Proof Load (kn)	Breaking Load (kn)	Material	Finish	L* (mm)
JCF002	280	3	50	63	100	Steel	Galvanized	280
JCF003	380	3.8	50	63	100	Steel	Galvanized	380

TURNBUCKLE HOOK & JAW TYPE

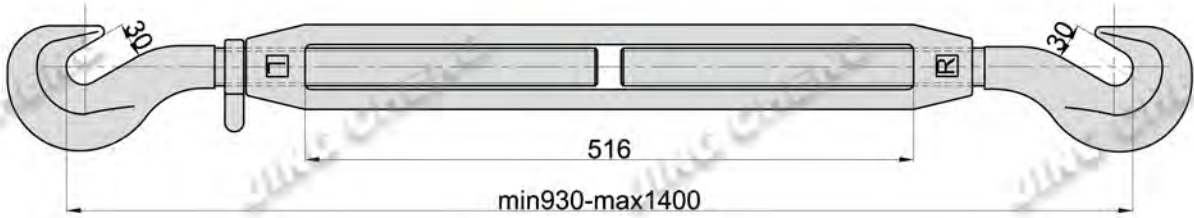


Item No.	Size	Weight Each (kg)	Safe Working Load (kn)	Proof Load (kn)	Breaking Load (kn)	Material	Finish	L* (mm)
JCF004	UC	18	250	313	500	Steel	Galvanized	930~1420

TURNBUCKLE HOOK & HOOK TYPE



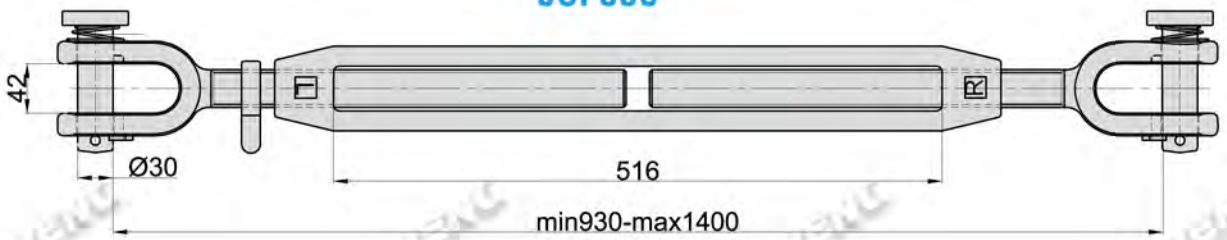
JCF005



TURNBUCKLE JAW & JAW TYPE



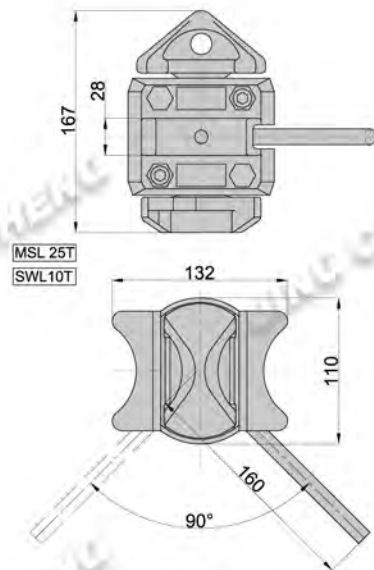
JCF006



INTERMEDIATE TWISTLOCKS



JCF007



Left Type