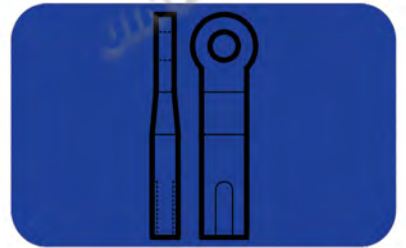
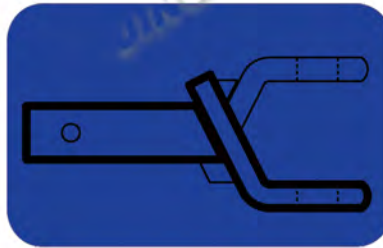
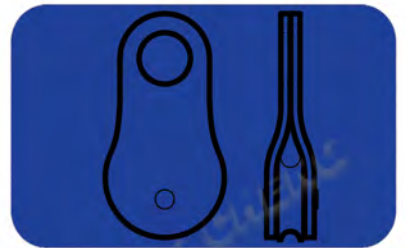


# JINGCHENG

2022  
FORGING

## TRAILER & TRUCK PARTS

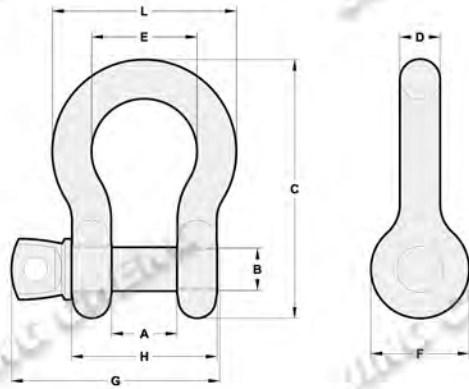


Qingdao Jingcheng Forging Co., Ltd

[www.qdjcforging.com](http://www.qdjcforging.com)

# JING CHENG

## HITCH RECEIVER D RING SHACKLE



ITEM NO.	Size (in.)	Working Load Limit (t)	Weight Each (lbs)	Dimensions (mm)									
				A	B	C	D	E	F	H	K	L	P
JCT001	1/2	2	0.72	20.6	16	47	12.7	33.1	30	83.5	46	58.5	77.5
JCT002	5/8	3.25	1.37	27	19	60	16	42	39	106	59	74	97
JCT003	3/4	4.75	2.35	31.8	22.1	71	19	51	47	125	69.8	89	109

## SYNTHETIC SOFT SHACKLE



**One Pimple Double Neck**  
Not easy to fall off

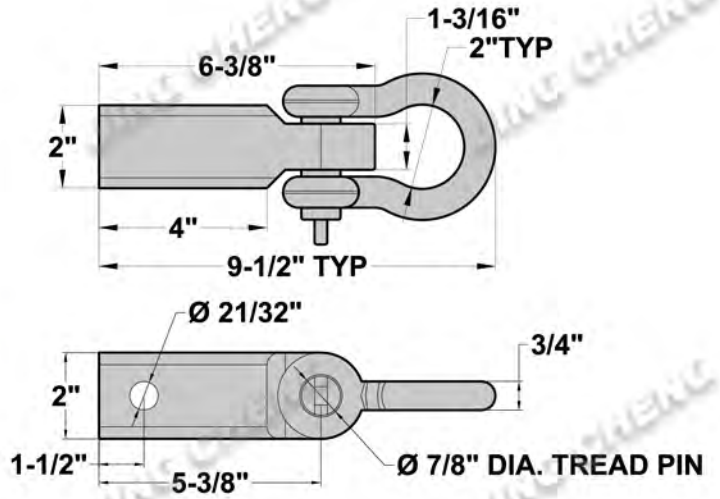


ITEM NO.	Size (A x B)	Breaking Strength (kg)	Weight Each (kg)
JCT004	6mm*6inch	5000	0.1
JCT005	8mm*6inch	8850	0.1
JCT006	9mm*6inch	11000	0.1
JCT007	10mm*6inch	13600	0.2
JCT008	11mm*6inch	15340	0.2
JCT009	12mm*6inch	17550	0.2
JCT010	13mm*6inch	20280	0.2
JCT011	14mm*6inch	30550	0.21

Easy to Use



## SHACKLE HITCH RECEIVER



- Process: Hitch Receiver is CNC, Shackle is Forging
- Material: Carbon Steel
- Surface: Powder Painted
- Fitting: Shackle Isolator, Hitch Pin, Washer etc

ITEM NO.	Size (in.)	Working Load Limit (t)	Weight Each (kg)
JCT012	2	4.75	3.4

### CUSTOMIZED ON DEMAND Customized for Special Requirements



Customized surface treatment



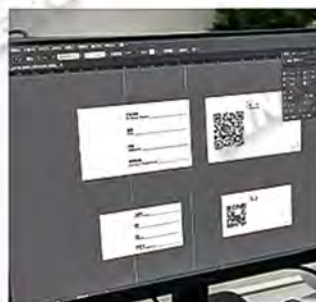
Logo customization



Color customization



ODM

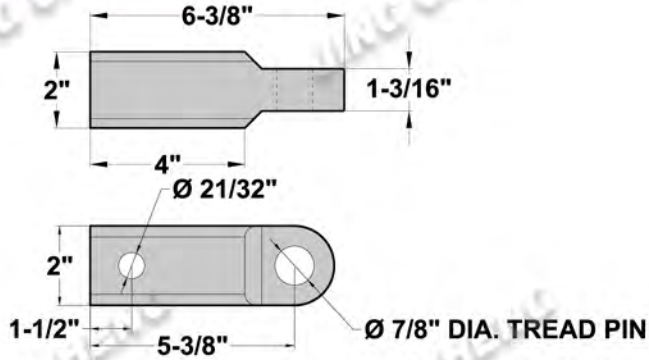


Label customization



Packaging customization

## HITCH RECEIVER



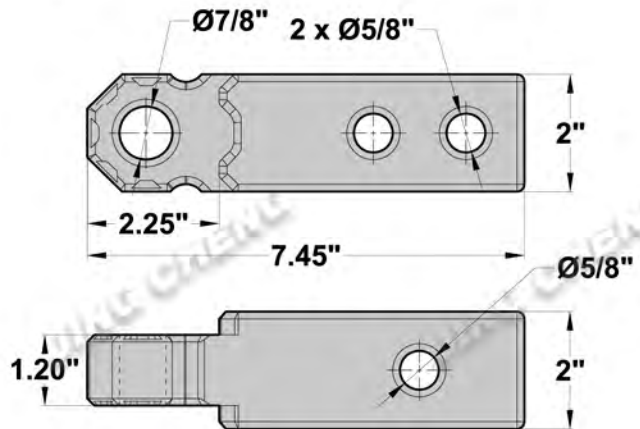
- Process: CNC
- Material: Aluminum Alloy
- Surface: Anodic Oxidation
- Fitting: D Ring Shackle, Shackle Isolator, Hitch Pin, Washer etc

ITEM NO.	Size (in.)	Working Load Limit (t)	Weight Each (kg)
JCT013	2	5	0.88

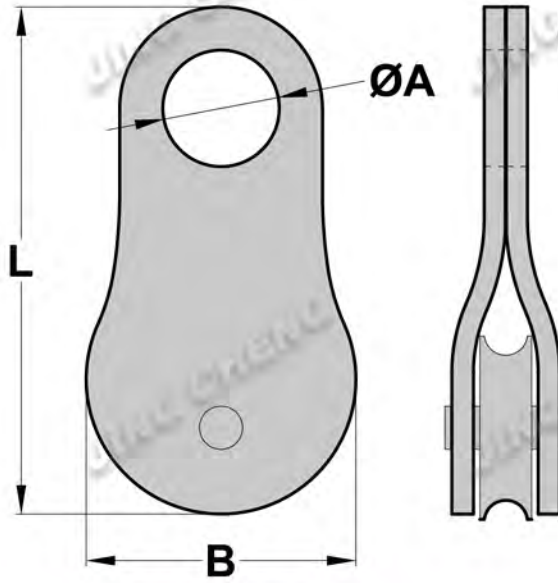


- Process: CNC
- Material: Aluminum Alloy
- Surface: Anodic Oxidation
- Fitting: D Ring Shackle, Shackle Isolator, Hitch Pin, Washer etc

ITEM NO.	Size (in.)	Working Load Limit (lbs.)	Weight Each (kg)
JCT014	2	13000	1.02



## SNATCH BLOCK



ITEM NO.	Max Capacity (t)	Wire Rope Size (mm)	Weight Each (kg)	Dimensions (mm)		
				A	B	L
JCT015	4	10	1.03	38	78	145
JCT016	8	15	2.64	54	125	235
JCT017	10	15	3.40	74.5	130	270

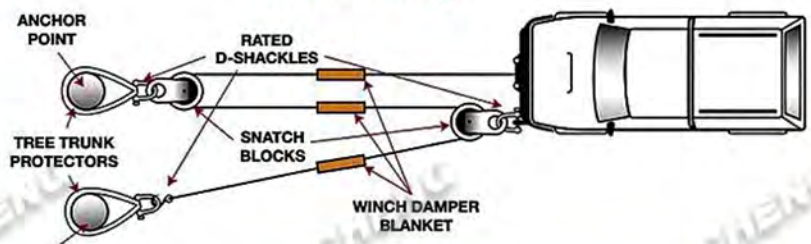
### The Use Of The Snatch Block Pulley



#### \*Dual Strings

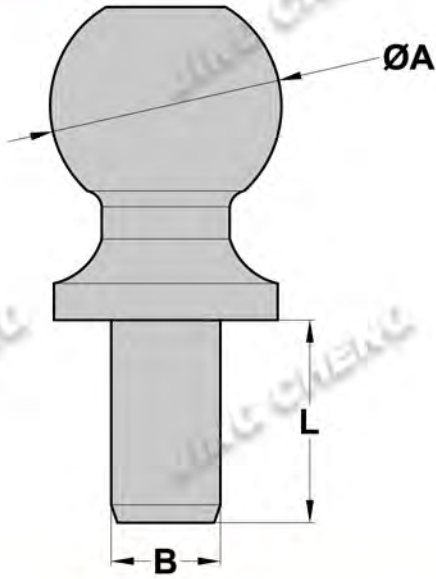


#### \*Multi-Strings



# JING CHENG

## HITCH BALL

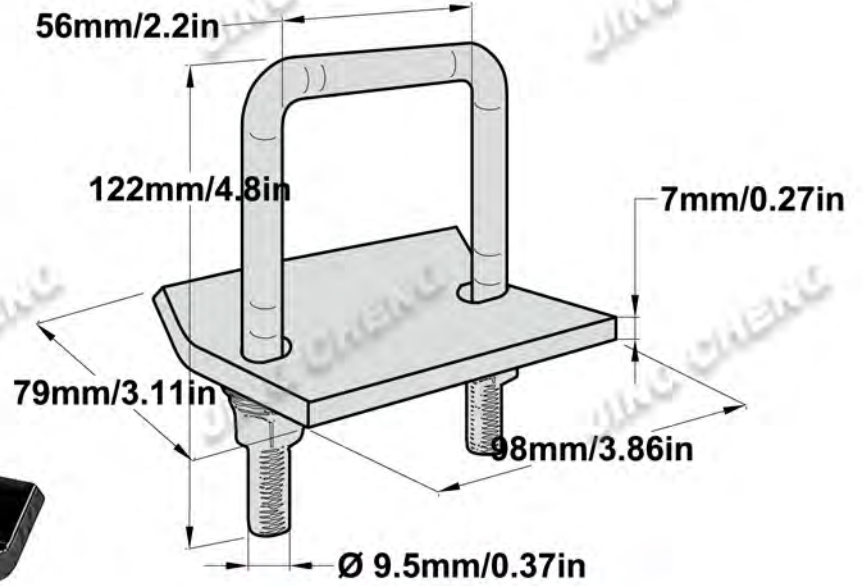


ITEM NO.	Ball Dia. (A)	Shank Dia. (B)	Shank Length (L)	Capacity (lbs.)	Finish
JCT018	1-7/8"	3/4"	1-1/2"	2000	Chrome, Zinc, Black Nickel, Stainless Steel
JCT019	1-7/8"	3/4"	2"	2000	
JCT020	1-7/8"	3/4"	2-3/8"	2000	
JCT021	1-7/8"	3/4"	2-3/8"	2000	
JCT022	1-7/8"	1"	2"	3500	
JCT023	1-7/8"	1"	2-1/8"	3500	
JCT024	1-7/8"	1"	2-1/2"	3500	
JCT025	1-7/8"	1"	3"	3500	
JCT026	1-7/8"	1"	3-3/8"	3500	
JCT027	2"	3/4"	1-1/2"	3500	
JCT028	2"	3/4"	2"	3500	
JCT029	2"	3/4"	2-3/8"	3500	
JCT030	2"	3/4"	3"	3500	
JCT031	2"	3/4"	3-3/8"	3500	
JCT032	2"	1"	2"	6000	
JCT033	2"	1"	2-3/4"	6000	
JCT034	2"	1"	3"	6000	
JCT035	2"	1"	3-3/8"	6000	
JCT036	2-5/16"	1"	2"	6000	
JCT037	2-5/16"	1"	2-1/2"	6000	
JCT038	2-5/16"	1-1/4"	2"	12000	
JCT039	2-5/16"	1-1/4"	2-1/2"	12000	
JCT040	2-5/16"	1-1/4"	3"	12000	
JCT041	50mm	7/8"	60mm	3.5t	Chrome, Zinc Plated
JCT042	50mm	7/8"	70mm	3.5t	



## HITCH TIGHTENER

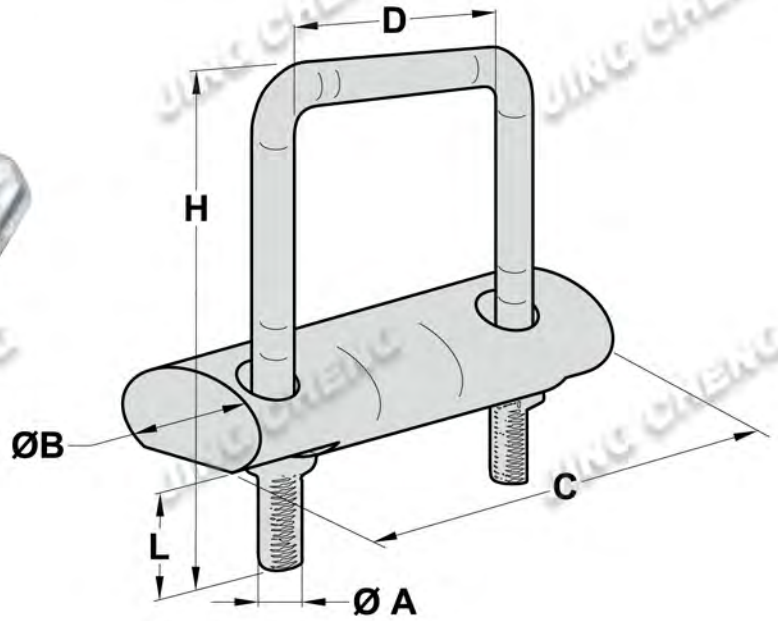
- Process: Stamping
- Material: Carbon Steel
- Surface: U Bolt is Zinc Plating, Plate is Powder Coated
- Size: Suit for 1-1/4" to 2" Hitch Extender
- Package: Bubble Bag+Box+Carton+Pallet



### JCT043 HITCH TIGHTENER



## HITCH TIGHTENER



- Process: Stamping
- Material: Carbon Steel
- Surface: Electrogalvanizing
- Size: Suit for 2" to 2-1/2" Hitch Extender
- Package: Bubble Bag+Box+Carton+Pallet

ITEM NO.	Dimensions (in.)					
	A	B	C	D	H	L*
JCT044	0.5	1.3	5	3	3.5	2
JCT045	0.5	1.3	5.5	3.5	5.1	2

\*\*L\* Effective Tread Length



## TRAILER HOOK BALL COVER

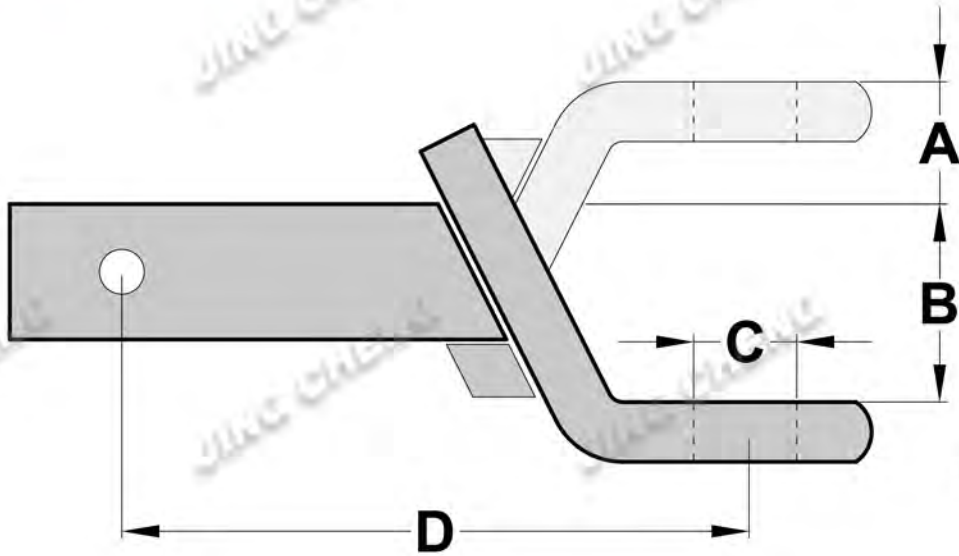
- Size: 50mm
- Usage: 50mm Ball
- Material: Plastic



## 50mm Tow Ball Cover



## STANDARD MOUNTS



- A: Rise**  
 Distance the ball platform is set above the Top of the Shank.
- B: Drop**  
 Distance the ball platform is set below the Top of the Shank.
- C: Hole Size**  
 Size of trailer ball shank that is required to fit the Ball Mount.
- D: Length**  
 Distance from the pin hole center to the Ball hole center.

## HITCH BALL MOUNTS



ITEM NO.	Box Size (in.)	Ball Hole Size (in.)	Drop (in.)	Rise (in.)	Length (in.)	Capacity (lbs.)	Shack	Finish
JCT046	2*2	1	2	3/4	9	6000	Hollow	Black, Chrome, Zinc Plated
JCT047	2*2	1	3	2	7-7/8	6000	Hollow	
JCT048	2*2	1	4	2-3/4	8-1/4	6000	Hollow	
JCT049	2*2	1	5	3-3/4	9	5000	Hollow	
JCT050	2*2	1	6	4-3/4	9-1/2	5000	Hollow	
JCT051	2*2	1	8	6-3/4	10	5000	Hollow	



# JING CHENG

## FORGED BALL MOUNTS



ITEM NO.	Box Size (in.)	Ball Hole Size (in.)	Drop (in.)	Rise (in.)	Length (in.)	Capacity (lbs.)	Finish
JCT052	2*2	1-1/4	2	1	8-1/2	10000	Black, Powder Coated
JCT053	2*2	1-1/4	4	3	9-1/4	10000	
JCT054	2*2	1-1/4	6	5	10-1/4	10000	



## TRAILER HITCH TRI-BALL MOUNT

- **Ball Size:**  
1-7/8", 3500lbs  
2", 6000lbs  
2-5/16", 10000lbs
- **Length:** 12"
- **Shank:** Hollow/Solid

### JCT055 HITCH TRI-BALL MOUNT



## ADJUSTABLE ALUMINUM BALL MOUNT

ITEM NO.	Ball Size (in.)	Drop (in.)	Capacity (lbs.)	Shack
JCT056	1-7/8&2	2~6	6000	Solid
JCT057	2&2-5/16	2~6	6000	Solid



## ADJUSTABLE STEEL BALL MOUNT



### ADJUSTABLE STEEL BALL MOUNT TYP A

ITEM NO.	Box Size (in.)	Drop (in.)	Max Rise (in.)	Length (in.)	Capacity (lbs.)	Shack
JCT058	2*2	7-1/2	6-1/4	13 to 12	5000	Hollow

### ADJUSTABLE STEEL BALL MOUNT TYP B

ITEM NO.	Box Size (in.)	Max Drop (in.)	Max Rise (in.)	Length (in.)	Capacity (lbs.)	Shack
JCT059	2*2	9-5/8	8-3/8	12	6000	Hollow

- **Capacity:** Ball 1-7/8", 3500lbs  
2", 6000lbs  
2-5/16", 10000lbs

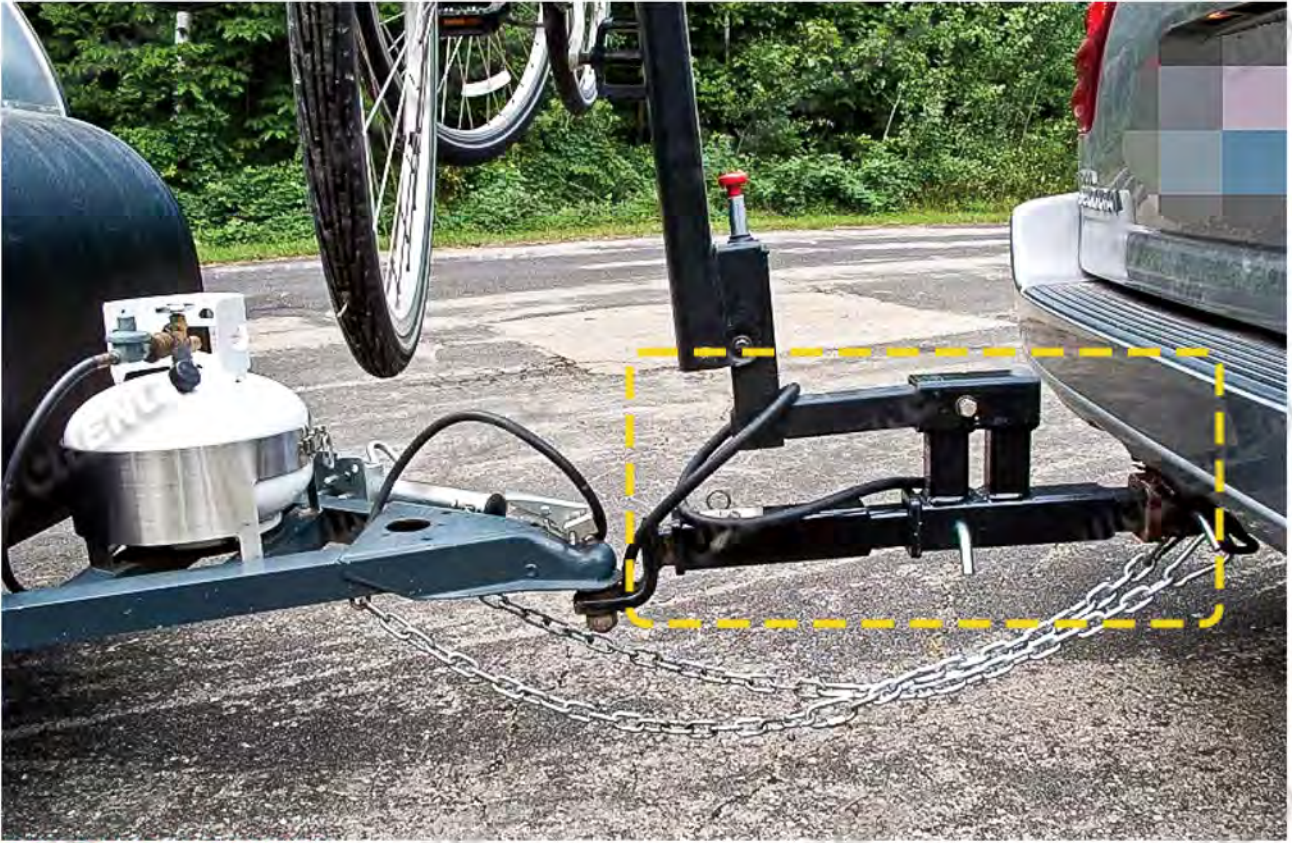
### ADJUSTABLE STEEL TRI-BALL MOUNT

- **Finish:** Ball is Chrome Mount is Black

ITEM NO.	Box Size (in.)	Max Drop (in.)	Max Rise (in.)	Length (in.)	Capacity (lbs.)	Shack
JCT060	2*2	4-3/4	5-11/16	11-9/16	*	Solid



If you are in need of other types  
not listed in our catalogue  
please contact our sales department.



## RECEIVER ADAPTER



ITEM NO.	Inner Diameter (in.)	Length (in.)	Finish
JCT061	2*2	6	Black
JCT062	2*2	8	Black
JCT063	2*2	10	Black
JCT064	2*2	12	Black

ITEM NO.	Tube Size (in.)	Length (in.)	Finish
JCT065	1-1/4 to 2	6	Black
JCT066	1-1/4 to 2	7-1/4	Black
JCT067	1-1/4 to 2	10	Black

ITEM NO.	Tube Size (in.)	Length (in.)	Finish
JCT068	1-1/4 to 2	7	Black
JCT069	1-1/4 to 2	3	Black

ITEM NO.	Tube Size (in.)	Length (in.)	Finish
JCT070	2-1/2 to 2	4	Black

# JING CHENG

## RECEIVER ADAPTER



If you are in need of other types  
not listed in our catalogue  
please contact our sales department.

## RECEIVER MOUNTS



### FORGED TOW HOOK

ITEM NO.	Length (in.)	Capacity (lbs.)	Weight (lbs.)	Shack
JCT071	7-3/8	10000	9.02	Solid



### TOW HOOK WITH LATCH

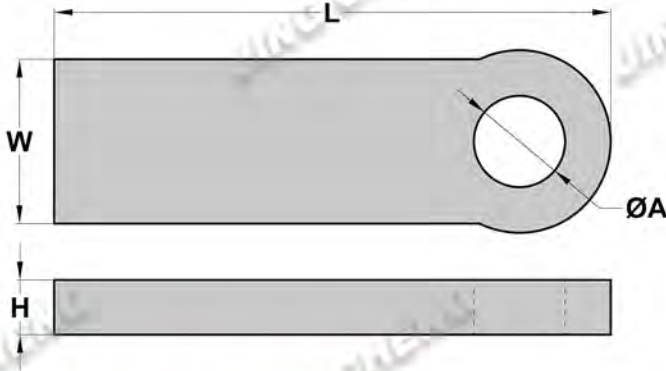
ITEM NO.	Max Capacity (lbs.)	Breaking Strength (lbs.)	Weight (lbs.)
JCT072	10000	15000	1.59



### FORGED TOW EYE

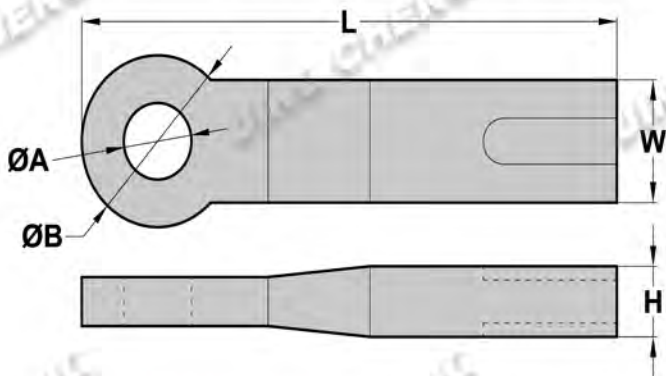
ITEM NO.	Length (in.)	Capacity (lbs.)	Weight (lbs.)	Shack
JCT073	7-3/8	10000	9.66	Solid

## TOW EYE



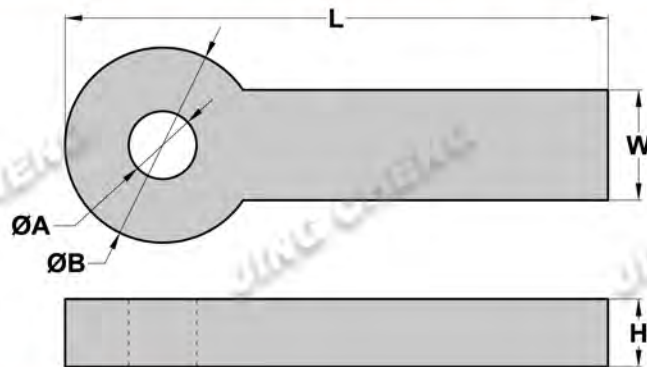
### HEAVY DUTY STRAIGHT TRAILER HITCH EYE

ITEM NO.	Size (in.)	Hole A (mm)	Length L (mm)	Width W (mm)	Depth H (mm)	Material
JCT074	12	50	305	90	30	En8
JCT075	12	50	305	90	40	En8
JCT076	12	50	305	90	40	En16



### HEAVY DUTY DRAWBAR TOWING EYE

ITEM NO.	Size B (mm)	Hole A (mm)	Length L (mm)	Width W (mm)	Depth H (mm)	Material
JCT077	112	50	395	80	40	40CrMo



### AGRICULTURE TOWING EYE

ITEM NO.	Size B (mm)	Hole A (mm)	Length L (mm)	Width W (mm)	Depth H (mm)	Material
JCT078	115	40	320	65	40	40CrMo



## RECEIVER MOUNTS



## RECEIVER MOUNTS



If you are in need of other types  
not listed in our catalogue  
please contact our sales department.

## PINTLE HOOK MOUNTS



## PINTLE HOOK COMBINATION HITCHES

ITEM NO.	Ball Size (in.)	Wide Center to Center (in.)	UP/Down Center to Center (in.)	Hole Dia (in.)	Ball Capacity (lbs.)	Body Capacity (lbs.)
JCT079	1-7/8	3-1/2	1-3/4	1/2	2000	16000
JCT080	2	3-1/2	1-3/4	1/2	7000	16000
JCT081	2-5/16	3-1/2	1-3/4	17/32	12000	16000



## PINTLE HOOK

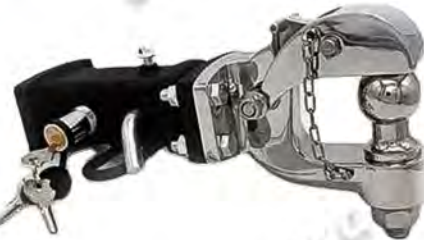
ITEM NO.	Wide Center to Center (in.)	UP/Down Center to Center (in.)	Hole Dia (in.)	Body Capacity (t)
JCT082	3-3/8	1-3/4	17/32	5
JCT083	3-3/8	1-3/4	17/32	10
JCT084	3-3/8	1-3/4	17/32	15
JCT085	3-3/8	1-3/4	17/32	30

# JING CHENG

## PINTLE HOOK WITH SHANK



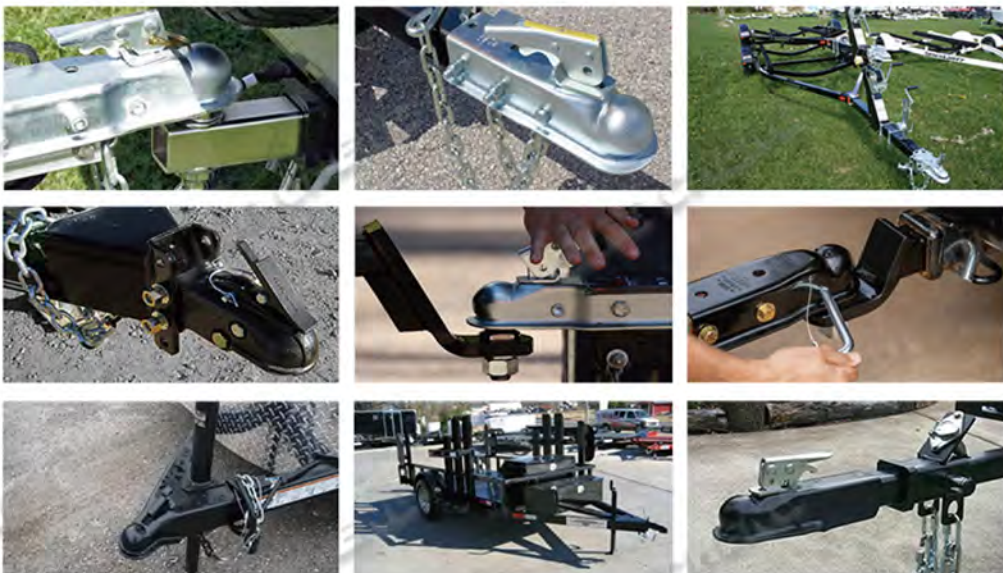
ITEM NO.	Ball Size (in.)	Ball Capacity (lbs.)	Body Capacity (lbs.)	Shank	Weight (kg)
JCT086	1-7/8	2000	16000	Solid	8
JCT087	2	7000	16000	Solid	8
JCT088	2-5/16	12000	16000	Solid	8



## TRAILER HITCH COULPER



### Usage Scenario



# JING CHENG

## ROUND TUBE GOOSENECK COUPLER

ITEM NO.	Ball Size (in.)	Capacity (lbs.)	Finish	Weight (kg)
JCT089	2-5/16	30000	Black	25



ITEM NO.	Ball Size (in.)	Capacity (lbs.)	Finish	Weight (kg)
JCT090	2-5/16	25000	Oil	27.28



ITEM NO.	Ball Size (in.)	Capacity (lbs.)	Finish	Weight (kg)
JCT091	2-5/16	30000	Oil	31.66



## ADJUSTABLE CHANNEL BRACKET



**JCT092**

- Hole: 4 Holes
- Capacity: 13000lbs
- Position: 3-Position Channel
- Finish: Oil / Black
- N.W.: 1.6kgs/2.25kgs



**JCT093**

- Hole: 6 Holes
- Capacity: 15000lbs
- Position: 5-Position Channel
- Finish: Oil / Black
- N.W.: 3.4~3.6kgs



**JCT094**

- Hole: 7 Holes
- Capacity: 15000lbs
- Position: 6-Position Channel
- Finish: Oil
- N.W.: 4.39kgs



**JCT095**

- Hole: 8 Holes
- Capacity: 15000lbs
- Position: 7-Position Channel
- Finish: Oil
- N.W.: 5.02kgs



# JING CHENG

## TRAILER JACK





## TRAILER JACK

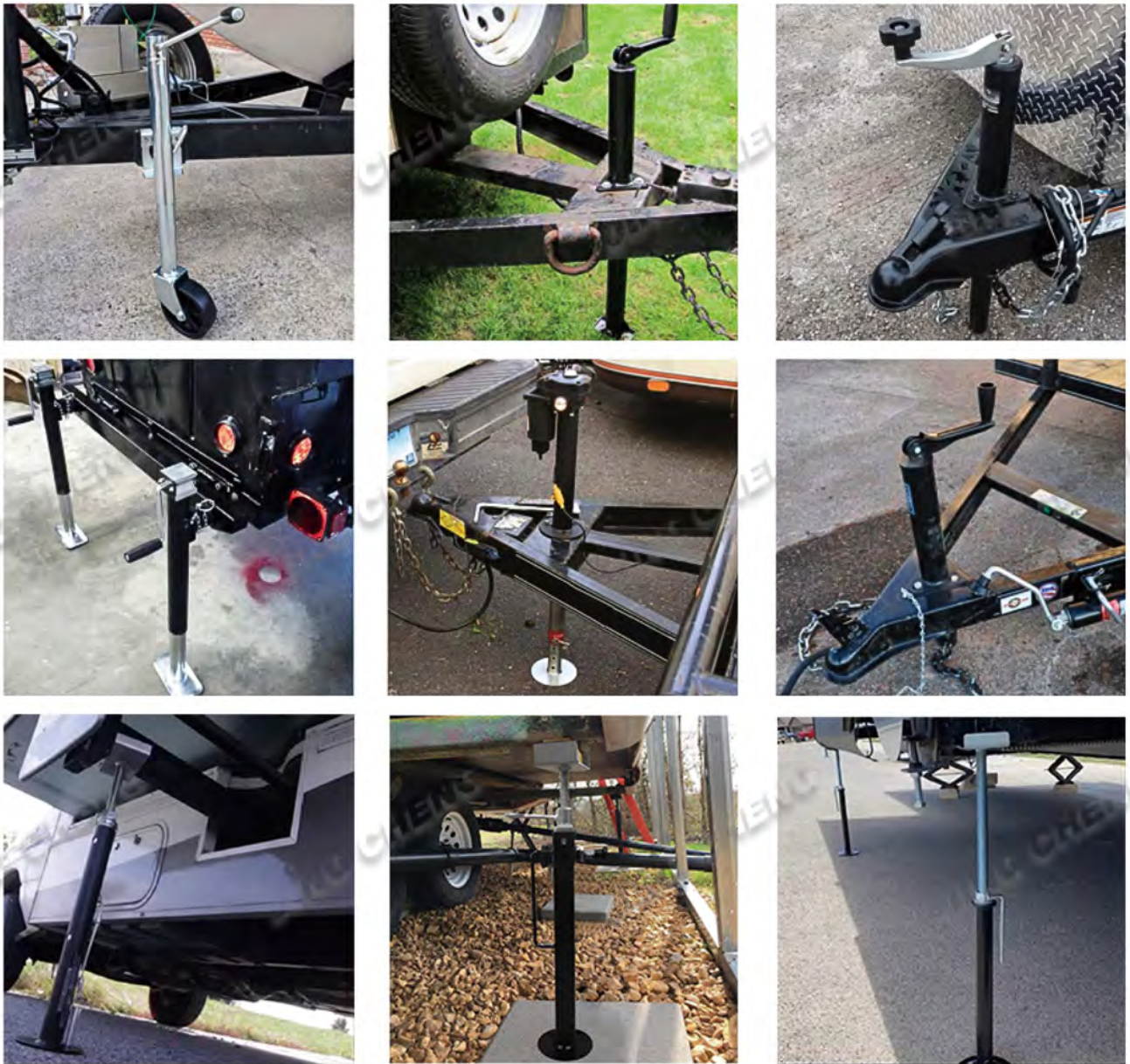


# JING CHENG

## TRAILER JACK BASE



### Usage Scenario



## WINCH ACCESSORIES



### ALUMINUM FAIRLEAD

ITEM NO.	Working Load Limit (lbs.)	Size L*W*H (mm)	Hole Spacing (mm)	Weight (g)
JCT096	2500	133*38*15	109	128
JCT097	3500	147*38*15	123	128
JCT098	4500	180*39*16	153	186
JCT099	5000	222*62*18	182	420
JCT100	6000	243*62*18	204	460
JCT101	9500	297*62*18	254	548
JCT102	10000	300*70*19	254	660
JCT103	12000	297*88*18	254	760
JCT104	12000	298*90*20	254	963
JCT105	16000	300*105*30	254	1480
JCT106	16000	335*145*23	254	1620
JCT107	16000	310*140*30	254	2000



### WAY ROLLER FAIRLEAD

ITEM NO.	Working Load Limit (lbs.)	Size L*W*H (mm)	Hole Spacing (mm)	Weight (kg)
JCT108	2500	128*87*47	109	0.65
JCT109	2500	128*87*47	109	0.64
JCT110	3000	160*91*48	124	1.04
JCT111	3000	160*91*48	124	1.02
JCT112	4000	190*90*58	152	1.13
JCT113	4500	203*92*60	165	1.21
JCT114	6000	232*93*64	202	2.04
JCT115	8000	310*106*80	280	3.25
JCT116	9500	297*124*88	254	4.20
JCT117	10000	297*126*88	254	4.30
JCT118	10000	297*123*88	254	4.28
JCT119	10000	305*105*45	278	2.36
JCT120	16000	298*129*88	254	5.12



## CUSTOMIZED RECOVERY GEAR



JCT121

• 3T MEGA BOW SHACKLE



JCT122

• 8T MEGA BOW SHACKLE



JCT123

• 5T ALUMINIUM BOW SHACKLE



JCT124

• 8T MEGA BOW SHACKLE



JCT125

• 8T MEGA BOW SHACKLE



JCT126

• 10T SQUARE MEGA SHACKLE



JCT126

• 10T ROUND MEGA SHACKLE



JCT127

• 5T MEGA BOW SHACKLE



JCT128

• 8T MEGA BOW SHACKLE

## HEAVY DUTY CUSTOM SHACKLE

If you are in need of other types  
not listed in our catalogue  
please contact our sales department.

## OFFROAD ACCESSORIES



• ALUMINUM SNATCH BLOCK



• STEEL MEGA SNATCH BLOCK



• STAINLESS STEEL SNATCH BLOCK



• STAINLESS STEEL PULLEY SNATCH BLOCK



• ALLOY STEEL SNATCH BLOCK



• STAINLESS STEEL SNATCH BLOCK



• STEEL SNATCH BLOCK



• STEEL SNATCH BLOCK



• STEEL SNATCH BLOCK



• STEEL SNATCH BLOCK



• STEEL SNATCH BLOCK



• CUSTOM SNATCH BLOCK



• 2INCH HITCH RECEIVER



• CUSTOM ALUMINUM HITCH RECEIVER



• CUSTOM ALUMINUM HITCH RECEIVER



• ALUMINUM WINCH HOOK



• CUSTOM WINCH HOOK



• CUSTOM WINCH HOOK



• CUSTOM WINCH HOOK



• S-SHAPE WINCH HOOK



• WINCH HOOK WITH SAFETY LATCH



• SOFT SHACKLE HITCH RECEIVER



• TRAILER COUPLER LOCK



• TRAILER RECOVERY KIT

## TRAILER LATCH



• ANGLE LEVER LOCK



• ANGLE LEVER LOCK



• ANGLE LEVER LOCK



• TRAILER LOCK LATCH



• TRAILER OVERCENTER LOCK LATCH



• TRUCK SIDE DOOR LOCK



• TRUCK DOOR HANDLE LOCK



• TRUCK LOCK LATCH



• TRAILER BOX SIDE DOOR LOCK



• TRUCK LOCK LATCH



• TRAILER LOCK LATCH WITH PLATE



• TRAILER LOCK LATCH WITH PLATE

