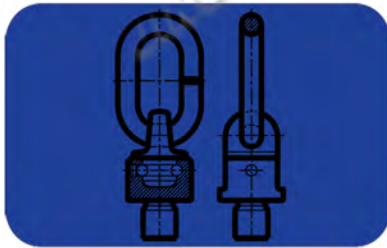
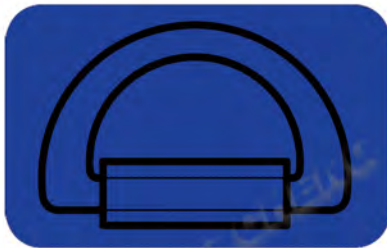


JINGCHENG

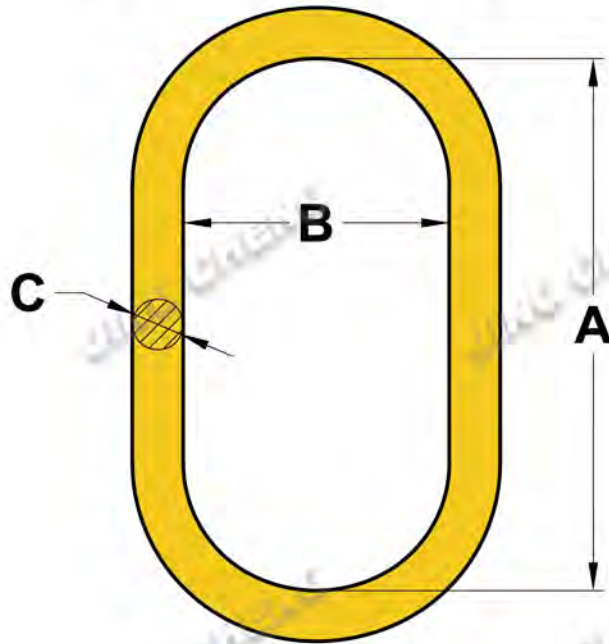
2022
FORGING

RIGGING ACCESSORIES



Qingdao Jingcheng Forging Co., Ltd

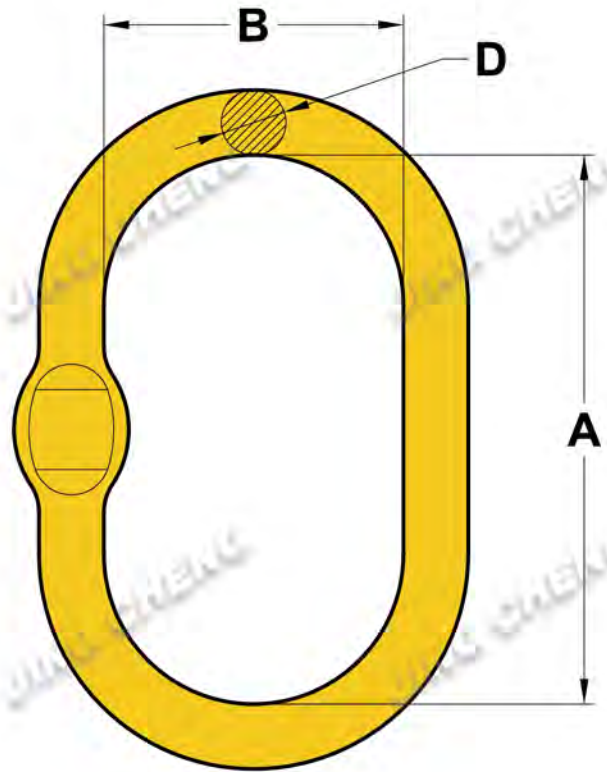
www.qdjcforging.com



- Available with Alloy Steel
- Forged-Quenched and Tempered
- Finish: Powder Coated
- Ultimate Load at 5 Times the Working Load Limit
- Packing available with Carton Box

Item No.	Size		Weight Each (kg)	Working Load Limit (lbs.)	Proof Load (lbs.)	Dimensions (mm)		
	(in)	(mm)				A	B	C
JCR001	1/2	13	0.59	7400	17200	127	63.5	13
JCR002	5/8	16	0.69	9000	18000	152	76	16
JCR003	3/4	19	0.91	12300	28400	140	70	19
JCR004	7/8	22	1.50	15200	35200	160	89	22
JCR005	1	25	2.77	26000	60000	178	90	25
JCR006	1-1/4	32	5.44	39100	90400	222	111	32
JCR007	1-1/2	38	7.21	61100	141200	267	135	38
JCR008	1-3/4	45	11.4	84900	212250	305	152	45
JCR009	2	51	16.8	102600	256500	355	178	51
JCR010	2-1/4	57	24.5	143100	289200	406	203	57
JCR011	2-1/2	63.5	31.1	160000	320000	406	203	63.5
JCR012	2-3/4	70	42.6	216900	433800	406	241	70
JCR013	3	76	52.0	228000	456000	457	228	76
JCR014	3-1/4	82.5	66.0	262200	524400	508	254	82.5
JCR015	3-1/2	86	91.0	279000	558000	508	254	86
JCR016	3-3/4	95	90.0	336000	672000	508	254	95
JCR017	4	101.6	120	373000	746000	508	305	101.6
JCR018	4-1/4	108	137	354000	708000	610	305	108
JCR019	4-1/2	114	156	360000	720000	711	356	114.5
JCR020	4-3/4	121	198	389000	778000	711	356	121
JCR021	5	127	234	395000	790000	762	356	127

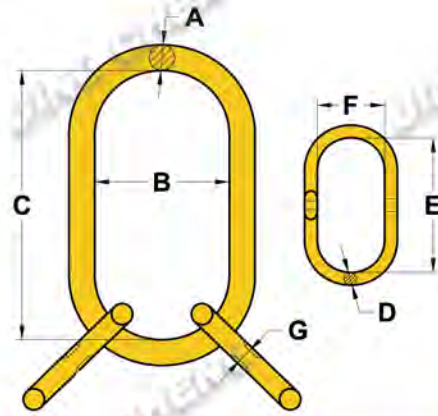
EUROPEAN TYPE G80 MASTER LINK



- Standard: EN1677-4 (Supersedes DIN5688-3)
- Available with Alloy Steel
- Forged-Quenched and Tempered
- Finish: Powder Coated
- Ultimate Load at 4 Times the Working Load Limit
- Packing available with Carton Box

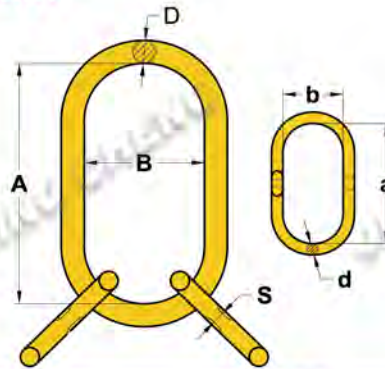
Item No.	Size	G80 EN818-2 Chain		Weight (kg)	Working Load Limit (T)	Dimensions (mm)		
		For 1 Leg (mm)	For 2 Leg (mm)			A	B	D
JCR022	6-8	7	6	0.34	1.6	110	60	13
JCR023	7-8	8	7	0.54	2.12	110	60	16
JCR024	8-8	10	8	0.82	3.15	135	75	18
JCR025	10-8	13	10	1.5	5.3	160	90	22
JCR026	13-8	16	13	2.3	8	180	100	26
JCR027	16-8	18	16	3.95	11.2	200	110	32
JCR028	18-8	20	18	6.34	14	260	140	36
JCR029	20-8	22	20	8.96	17	300	160	40
JCR030	22-8	26	22	12.8	21.2	340	180	45
JCR031	26-8	32	26	16.55	31.5	350	190	50
JCR032	32-8	36	32	23.28	45	400	200	56
JCR033	36-8	40	36	32	56	430	220	63
JCR034	40-8	45	40	45.76	63	460	250	72
JCR035	45-8	-	45	62	85.46	500	270	80

US TYPE MASTER LINK ASSEMBLY A345



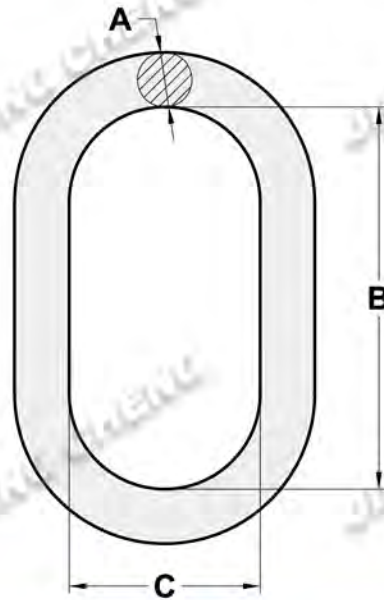
Item No.	Size		Weight Each (kg)	Working Load Limit Based on 5:1 Design Factor (lbs.)	Proof Load (lbs.)	Dimensions (in.)						
	(in)	(mm)				A	B	C	D	E	F	G
JCR036	3/4	19	1.59	12300	28400	0.73	3.20	6.00	0.56	3.35	1.77	0.30
JCR037	7/8	22	2.18	15200	35200	0.88	3.75	6.38	0.56	3.35	1.77	0.30
JCR038	1	26	4.22	26000	60000	1.10	4.30	7.50	0.75	3.94	2.36	0.33
JCR039	1-1/4	32	7.17	39100	90400	1.33	5.50	9.50	1.00	6.30	3.54	0.51
JCR040	1-1/2	38	15.47	61000	141200	1.61	5.90	10.50	1.25	7.09	3.94	0.65
JCR041	1-3/4	44	20.9	84900	212250	1.75	6.00	12.00	1.38	8.00	5.00	0.73
JCR042	2	51	30.4	102600	256500	2.00	7.00	14.00	1.50	9.00	5.75	-
JCR043	2-1/2	64	93.4	160000	320000	2.50	8.38	16.00	2.50	16.00	8.38	-
JCR044	2-3/4	70	128	216900	433800	2.75	9.88	18.00	2.75	18.00	9.88	-
JCR045	4	102	303	373000	746000	4.00	12.00	24.00	3.50	24.00	12.00	-

EUROPEAN TYPE G80 MASTER LINK ASSEMBLY



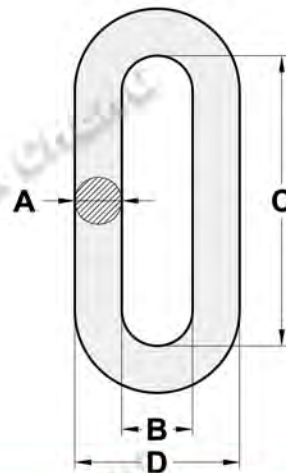
Item No.	Size	G80 EN818-2 Chain For 3 or 4 Leg Sling (mm)	Weight (kg)	Working Load Limit (T)	Dimensions (mm)					
					A	B	D	a	b	d
JCR046	6-8	6	1.18	2.36	135	75	18	54	25	13
JCR047	7-8	7	1.24	3.15	135	75	18	60	38	13
JCR048	8-8	8	2.2	4.25	160	90	22	70	34	16
JCR049	10-8	10	3.4	6.7	180	100	26	85	40	18
JCR050	13-8	13	6.1	11.2	200	110	32	115	50	22
JCR051	16-8	16	9.98	17	260	140	36	140	65	26
JCR052	18-8	18	18.9	21.2	340	180	45	180	100	32
JCR053	20-8	20	22.6	26.5	350	190	50	180	100	32
JCR054	22-8	22	25.2	31.5	350	190	50	180	100	36
JCR055	26-8	26	35.2	45	400	200	56	180	100	40
JCR056	28-8	28	47	50	430	220	63	180	100	45
JCR057	32-8	32	66.46	63	460	250	72	200	110	50

FORGED STAINLESS STEEL MASTER LINK



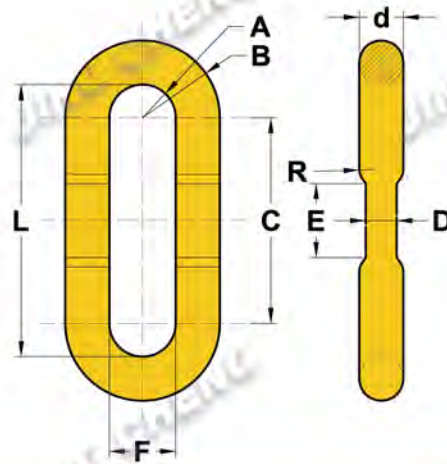
Item No.	Size (in.)	Working Load Limit (lbs.)	Weight Each (lbs.)	Dimensions (in.)		
				A	B	C
JCR058	3/8	1500	0.35	3/8	3.00	1.50
JCR059	1/2	2000	0.84	1/2	5.00	2.50
JCR060	5/8	2800	1.61	5/8	6.00	3.00
JCR061	3/4	3750	2.26	3/4	6.50	3.25
JCR062	1	8000	4.94	1	7.00	3.50
JCR063	1-1/4	11800	9.55	1-1/4	8.75	4.38

WLEDLESS END LINKS



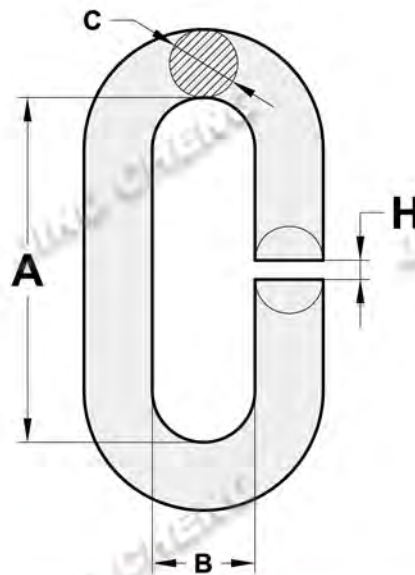
Item No.	Size (in.)	Working Load Limit (lbs.)	Weight Each (lbs.)	Dimensions (in.)			
				A	B	C	D
JCR064	5/16	2500	0.15	0.31	0.50	1.75	1.18
JCR065	3/8	3800	0.22	0.38	0.56	1.88	1.38
JCR066	1/2	6500	0.49	0.50	0.75	2.38	1.81
JCR067	5/8	9300	0.97	0.63	1.00	3.25	2.32
JCR068	3/4	14000	1.51	0.75	1.13	3.50	2.68
JCR069	7/8	12000	2.59	0.88	2.00	5.13	3.75
JCR070	1	15200	3.95	1	2.25	5.75	4.25
JCR071	1-1/4	26400	7.30	1.25	2.50	7.00	5.00
JCR072	1-3/8	30000	10.38	1.38	2.75	7.75	5.50

ALLOY FORGED LINK



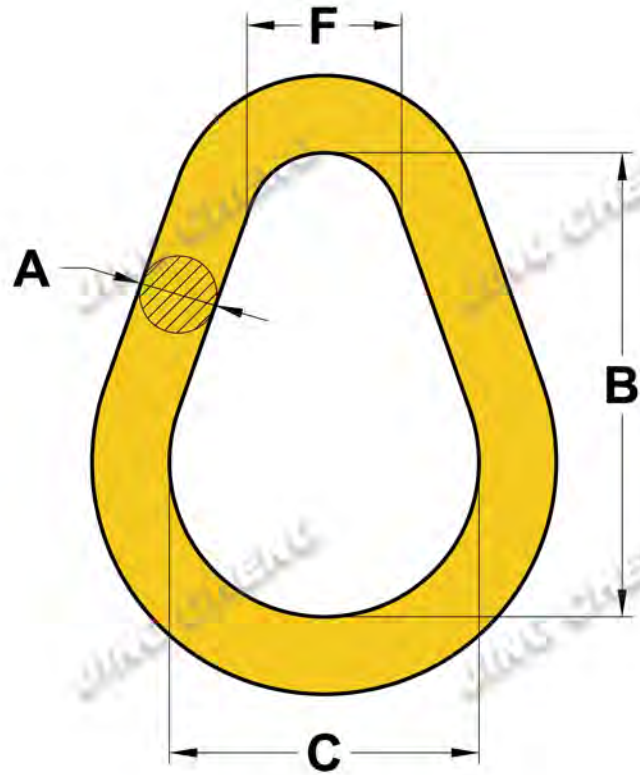
Item No.	Size	Weight Each (kg)	Working Load Limit (T)	Dimensions (mm)								
				B	A	C	D	E	d	R	F	L
JCR073	20T	4.2	20	76.5	42.5	100	25	36	34	3	85	185
JCR074	15T	2.8	15	67.5	37.5	95	17	32	30	2.5	75	170
JCR075	12T	1.7	12	49	24	74	16	28	25	2	48	122
JCR076	10T	0.82	10	40.25	18.75	63.5	14	22.6	21	1.5	37.5	101
JCR077	5.6T	2.1	5.6	58	30	90	21	32	28	1.5	60	150
JCR078	4.4T	1.5	4.4	50	25	80	18	30	25	1.5	50	130
JCR079	3.2T	0.9	3.2	42.5	22.5	65	14	30	20	1.5	45	110
JCR080	3T	0.8	3	39	19	64	13	30	20	1.5	38	102
JCR081	1.5T	0.4	1.5	33.5	17.5	80	12	28	16	1.5	35	85
JCR082	1T	0.2	1	27	15	40.25	10	25	12	1.5	30	70

OPENING LINK, ELSE RIGGING



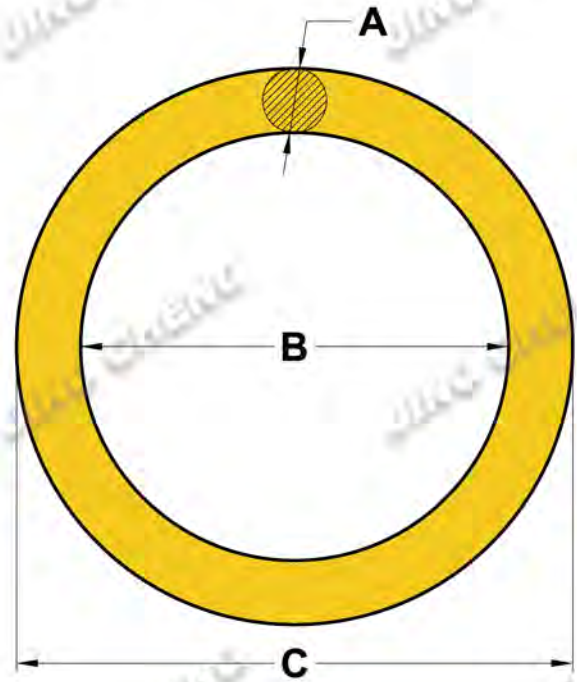
Item No.	Size	Weight Each (kg)	Working Load Limit (t)	Breaking Load Limit (t)	A ± 3.5	B ± 2	H ± 1	Φ ± 1
JCR083	10	0.09	0.2	1	50	16	2	10
JCR084	12	0.15	0.4	2	55	18	2	12
JCR085	14	0.23	0.6	3	60	18	2	14
JCR086	16	0.35	0.7	3.5	72	21	2	16
JCR087	19	0.55	1.4	7	80	24	2	19
JCR088	22	0.83	1.8	9	88	27	3	22
JCR089	22B	0.75	1.8	9	80	30	3	22
JCR090	25	1.18	2.2	11	94	35	3	25

US TYPE FORGED PEAR SHAPED LINK



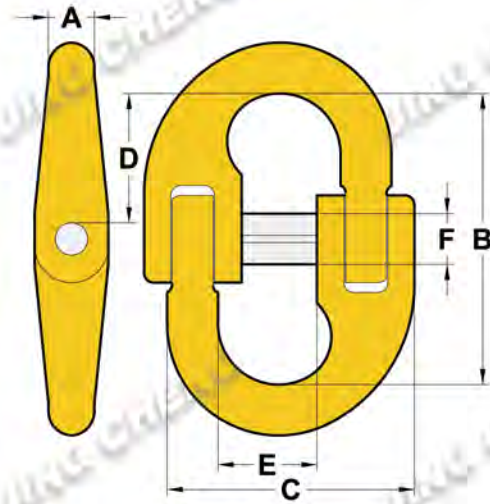
Item No.	Size (A) (in.)	Working Load Limit			Weight Each (lbs.)	Dimensions (in.)		
		Carbon (lbs.)	Alloy (lbs.)	Alloy (T)		B	C	F
JCR091	1/2	2900	7000	3.15	0.55	3.00	2.00	1.00
JCR092	5/8	4200	9000	4.09	1.10	3.75	2.50	1.25
JCR093	3/4	6000	12300	5.59	1.76	4.50	3.00	1.50
JCR094	7/8	8300	15000	6.81	2.82	5.25	3.50	1.75
JCR095	1	10800	24360	11.0	4.22	6.00	4.00	2.00
JCR096	1-1/8	13800	30600	13.9	6.25	6.50	4.50	2.25
JCR097	1-1/4	16750	36000	16.4	8.25	7.75	5.00	2.50
JCR098	1-3/8	20500	43000	19.5	11.25	8.25	5.50	2.75
JCR099	1-1/2	-	54300	24.7	14.25	9.00	6.00	3.00
JCR100	1-5/8	-	62600	28.4	18.50	9.75	6.50	3.25
JCR101	1-3/4	-	84900	38.6	22.50	10.50	7.00	3.50
JCR102	1-7/8	-	95800	43.5	29.00	11.25	7.50	3.75
JCR103	2	-	102600	46.6	34.00	12.00	8.00	4.00
JCR104	2-1/4	-	143100	65.0	48.00	13.50	9.00	4.50
JCR105	2-1/2	-	147300	66.9	66.00	15.00	10.00	5.00
JCR106	2-3/4	-	216900	98.6	88.00	16.50	11.00	5.50
JCR107	3	-	228000	103	114.00	18.00	12.00	6.00
JCR108	3-1/4	-	262000	119	146.00	19.50	13.00	6.50
JCR109	3-1/2	-	279000	126	181.00	21.00	14.00	7.00
JCR110	4	-	373000	169	271.00	24.00	16.00	8.00

US TYPE FORGED WELDLESS ROUND RING



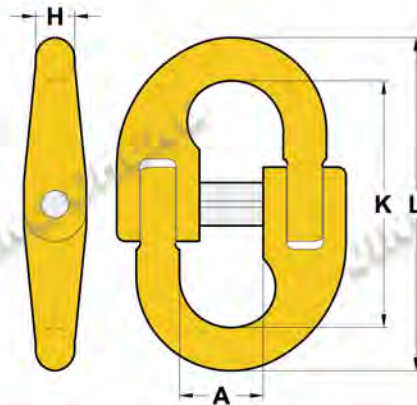
Item No.	Size (in.)	Working Load Limit (lbs.)	Weight Each (lbs.)	Dimensions (in.)		
				A	B	C
JCR111	3/8 × 2	2200	0.23	3/8	2	2 3/4
JCR112	3/8 × 2 1/4	2200	0.26	3/8	2 1/4	3
JCR113	3/8 × 3 1/2	2200	0.37	3/8	3 1/2	4 1/4
JCR114	1/2 × 2	2200	0.44	1/2	2	3
JCR115	1/2 × 3	2200	0.62	1/2	3	4
JCR116	1/2 × 3 1/2	2200	0.71	1/2	3 1/2	4 1/2
JCR117	5/8 × 2 1/2	3300	0.86	5/8	2 1/2	3 3/4
JCR118	5/8 × 3	3300	1.00	5/8	3	4 1/4
JCR119	5/8 × 3 5/16	3300	1.08	5/8	3 5/16	4 9/16
JCR120	5/8 × 4	3300	1.28	5/8	4	5 1/4
JCR121	3/4 × 3	3700	1.63	3/4	3	4 1/2
JCR122	3/4 × 3 1/2	3700	1.68	3/4	3 1/2	5
JCR123	3/4 × 4	3700	1.89	3/4	4	5 1/2
JCR124	7/8 × 3 1/2	7200	2.34	7/8	3 1/2	5 1/4
JCR125	7/8 × 4	7200	2.70	7/8	4	5 3/4
JCR126	7/8 × 5 1/2	7200	3.47	7/8	5 1/2	7 1/4
JCR127	1 × 4	10400	3.69	1	4	6
JCR128	1 × 5 1/2	10400	4.54	1	5 1/2	7 1/2
JCR129	1 × 6	10400	4.85	1	6	8
JCR130	1 1/8 × 6	10400	6.60	1 1/8	6	8 1/4
JCR131	1 1/4 × 5	17000	7.00	1 1/4	5	7 1/2
JCR132	1 1/4 × 5 1/2	17000	7.41	1 1/4	5 1/2	8
JCR133	1 1/4 × 6	17000	7.94	1 1/4	6	8 1/2
JCR134	1 3/8 × 6	19000	10.63	1 3/8	6	8 3/4
JCR135	1 1/2 × 8	22000	14.95	1 1/2	8	11
JCR136	1 1/2 × 10	22000	18.08	1 1/2	10	13
JCR137	2 × 12	25000	39.16	2	12	16

U.S. TYPE G80 CONNECTING LINK



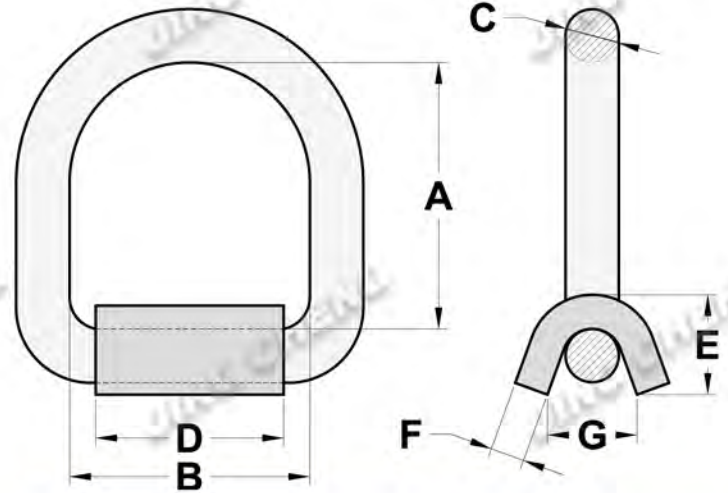
Item No.	Chain Size		Working Load Limit (lbs.)	Weight Each (lbs.)	Dimensions (in.)					
	(in.)	(mm)			A	B	C	D	E	F
JCR138	1/4	7	4300	0.26	0.38	1.94	1.90	0.81	0.69	0.57
JCR139	5/16	8	5700	0.35	0.37	2.35	2.07	0.99	0.72	0.64
JCR140	3/8	10	8800	0.75	0.48	2.70	2.47	1.12	0.90	0.78
JCR141	1/2	13	15000	1.60	0.68	3.45	3.31	1.44	1.12	0.97
JCR142	5/8	16	22600	2.68	0.81	4.13	3.90	1.72	1.35	1.14
JCR143	3/4	20	35300	5.00	0.93	4.62	4.62	2.03	1.62	1.28
JCR144	7/8	22	42700	7.50	1.06	5.46	5.46	2.27	2.00	1.49
JCR145	1	25	59700	11.03	1.22	5.98	6.13	2.44	2.25	1.76
JCR146	1-1/4	32	90400	20.38	1.50	7.43	7.59	3.07	2.56	2.23

EUROPEAN TYPE G80 CONNECTING LINK



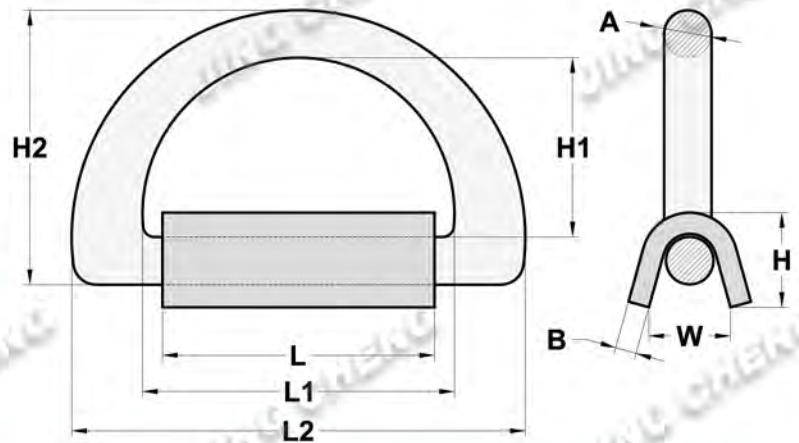
Item No.	Size (mm)	Working Load Limit (T)	Breaking Load (T)	Weight Each (kg)	Dimensions (mm)			
					A±1.5	L±2.5	K±2	H±1
JCR147	6-8	1.12	4.48	0.08	15	58	42	7
JCR148	7-8	1.5	6	0.145	19	71.8	54.8	8.5
JCR149	7/8-8	2	8	0.146	18	79.5	60.5	8.5
JCR150	8-8	2	8	0.16	19.5	79.5	60.5	8.5
JCR151	10-8	3.15	12.6	0.30	25	90.5	68	11.5
JCR152	13-8	5.3	21.2	0.65	29	117	87	15
JCR153	16-8	8	32	1.15	34.5	148	108.4	19.8
JCR154	18-8	10	40	1.84	38	154	112	21
JCR155	20-8	12.5	50	2.1	41	169.5	121.5	24
JCR156	22-8	15	60	2.87	48	193.5	141.5	26
JCR157	26-8	21.2	84.8	4.5	57.5	220	158	30
JCR158	32-8	31.5	126	8.21	67	281	205	37

D RING WITH STRAP, TYPE A



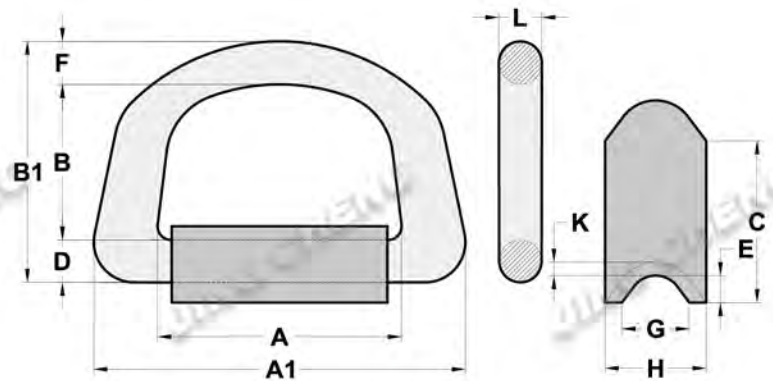
Item No.	Size (in.)	Minimum Breaking Strength (lbs.)	Weight Each (lbs.)	Dimensions (mm)						
				A	B	C	D	E	F	G
JCR159	3/8	3000	0.81	51	68	9.5	51	20	6	15
JCR160	1/2	12000	0.94	63.5	57.1	13	45	25	8	33
JCR161	5/8	18000	1.87	75	75	16	63.5	31	9.5	37
JCR162	3/4	26500	2.70	75	75	19	63.5	35	9.5	40
JCR163	1	47000	4.21	75	75	25	63.5	41	9.5	63
JCR164	1	47000	4.74	100	75	25	63.5	41	9.5	63

D RING WITH STRAP, TYPE B



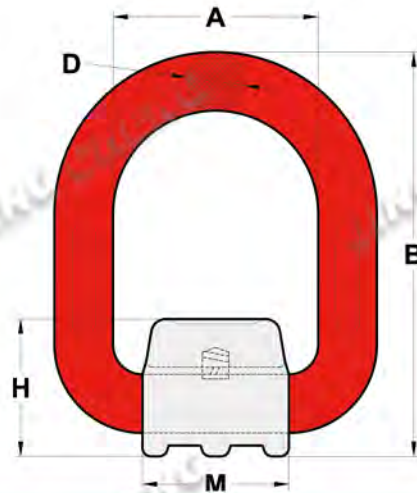
Item No.	Size	Working Load Limit (T)	Proof Test (T)	Minimum Breaking Strength (T)	Weight Each (lbs.)	Dimensions (mm)								
						L	L1 (±1)	L2	H1 (±1)	H2	H	B	W	A
JCR165	20T	5	7.5	20	2.21	90	120	170	70	102	30	10	42	16
JCR166	36T	9	13.5	36	5.42	120	136	212	80	122	35	10	42	21
JCR167	41T	10.5	15.4	41	8.15	125	144	225	88	138	43	12	62	25
JCR168	50T	18.75	18.75	50	9.71	130	151	241	90	144	48	14	65	27

D RING WITH STRAP, TYPE C



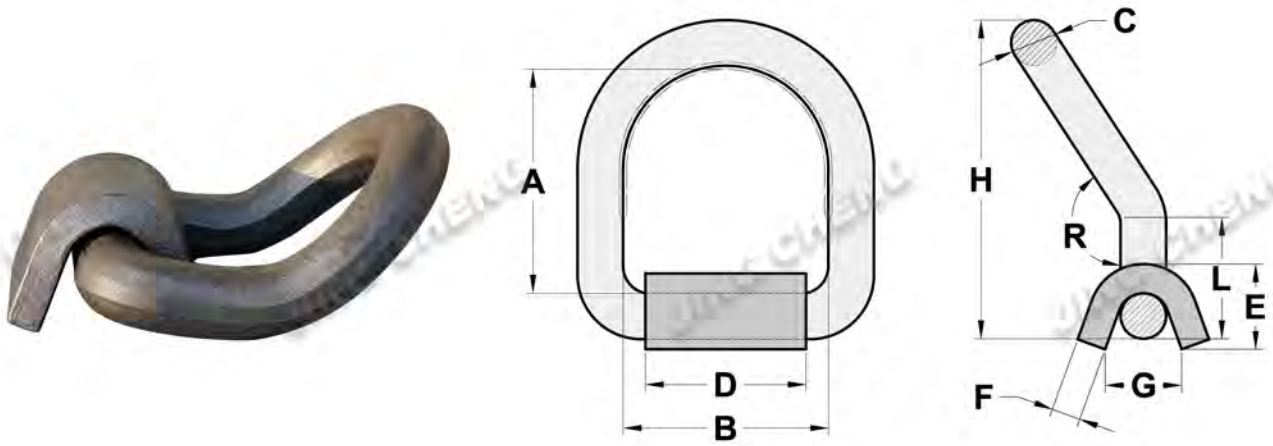
Item No.	Size	Minimum Breaking Strength (T)	Weight Each (kg)	Dimensions (mm)											
				A	A1	B	B1	D	F	C	E	K	G	H	L
JCR169	MBS7T	7	0.5370	65.5	123.1	51.1	76.1	12.7	12.3	50	16.2	5.9	32.2	42	12.5
JCR170	MBS36T	36	2.5330	121	191.4	81	128.4	23.8	23.8	102	27	11.3	48.12	67	22.5
JCR171	MBS41T	41	3.4040	126.5	202	92.8	144	25.9	25.3	102	31.8	13.5	63	82.5	25
JCR172	MBS50T	50	4.1190	127	223	102	155	27.2	26.5	102	31	13.5	63	83	26.5

G80 WELD ON POVOTING D LINK



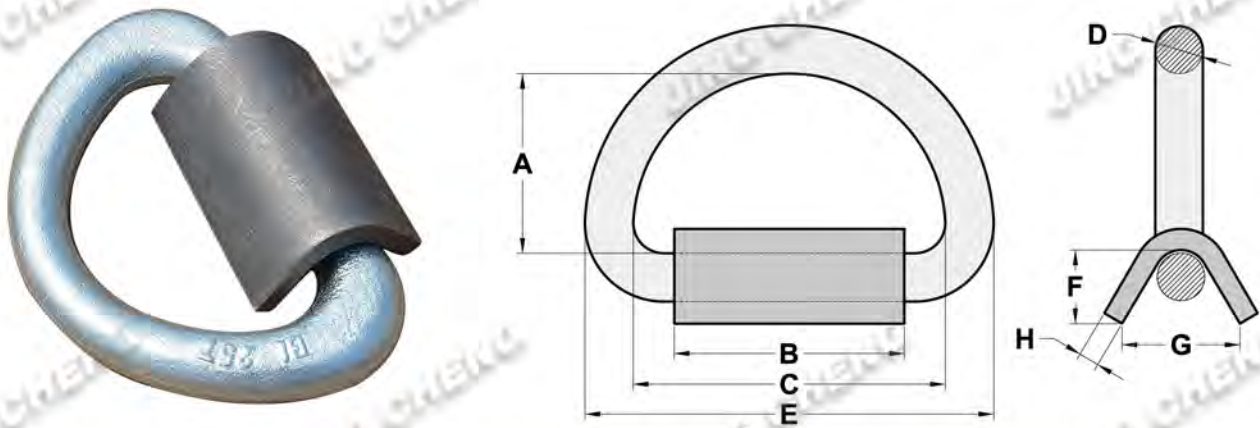
Item No.	Size	Weight Each (kg)	Working Load Limit (T)	Breaking Load (T)	Dimensions (mm)				
					A±1	B±2	D±1	M±1.2	H±0.3
JCR173	1.12T	0.40	1.12	4.48	41	78.5	13	37	35
JCR174	2T	0.47	2.00	8.00	42	88	14	40	37
JCR175	3.15T	0.69	3.15	12.80	45	94	17	42.5	40
JCR176	5.3T	1.46	5.30	21.20	55	118	22	61	52
JCR177	8T	2.50	8.00	32.00	70	141	26.5	70.5	57
JCR178	10T	3.59	10.00	40.00	85	165	28	78	63.5
JCR179	15T	5.79	15.00	60.00	97	188	34	90	77
JCR180	20T	15.5	20.00	80.00	150	250	46	130	98

D RING WITH STRAP & BEND



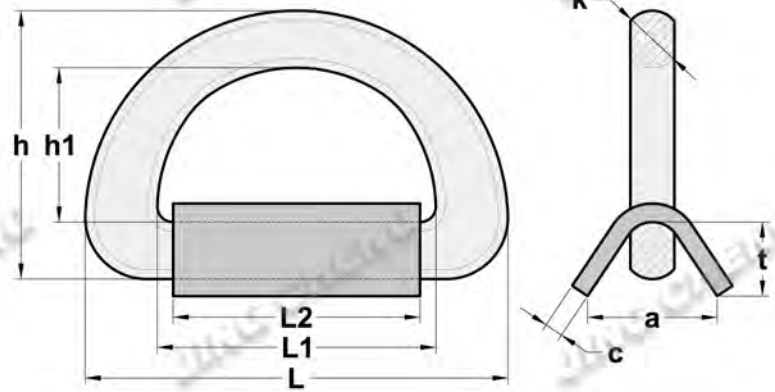
Item No.	Size (in.)	Minimum Breaking Strength (lbs.)	Weight Each (lbs.)	Dimensions (mm)									
				A	B	C	D	E	F	G	H	L	R
JCR181	1	47000	4.21	75	75	25	63.5	41	9.5	63	125	80	135°
JCR182	1	47000	4.74	100	75	25	63.5	41	9.5	63	150	80	135°

D RING WITH STRAP, JIS TYPE



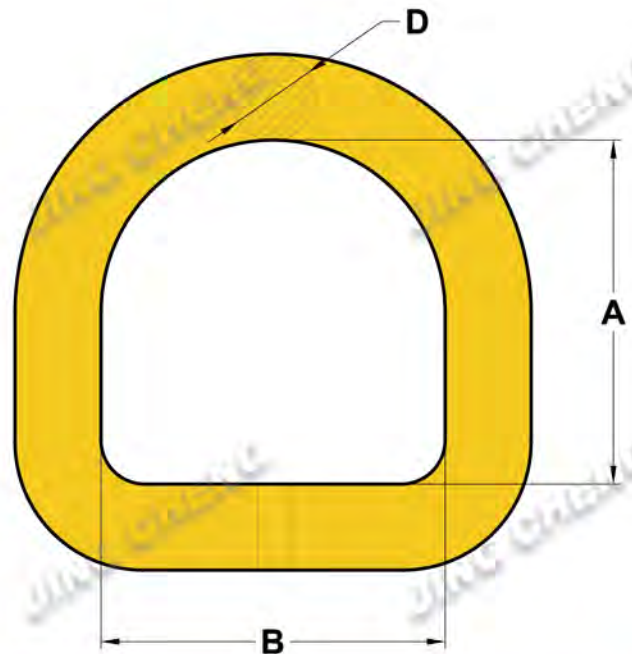
Item No.	Size	Weight Each (kg)	Dimensions (mm)							
			A	B	C	D	E	F	G	H
JCR183	5T	1.09	52	71	97	19	135	23	55	9.5
JCR184	25T	1.54	69	83	114	20	162	28	45	9.5
JCR185	36T	2.58	78	118	132	24	201	28	38	12
JCR186	41T	3.7	86	126	141	25	221	34	40	14
JCR187	50T	4.2	88	126	148	26	233	34	40	14

D RING WITH STRAP, TYPE B



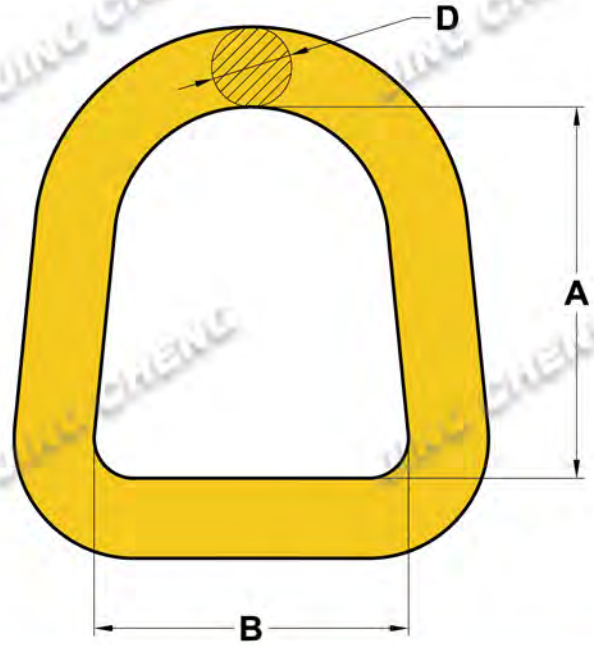
Item No.	Size	Dimensions (mm)								
		h	h1	L	L1	L2	a	k	t	c
JCR188	20T	87	50	137	90	80	42	18	24	10
JCR189	25T	109	69	170	112	90	48	20	25	10
JCR190	30T	102	58	144	88	80	42	21	24	10
JCR191	36T	112	66.5	165	100	90	50	24	35	12
JCR192	36T	124	76	208	130	120	45	23	30	12
JCR193	41T	137	87	225	143	120	50	26	48	12
JCR194	50T	140	86	227	137	120	50	27	48	12

G80 WELDED D RING



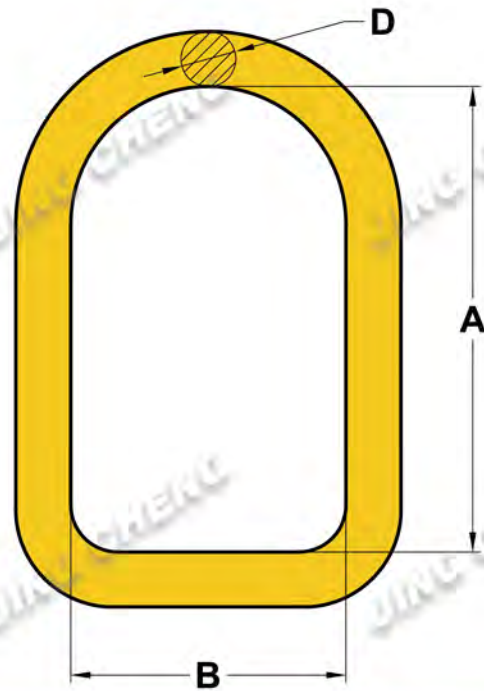
Item No.	Size	Weight Each (kg)	Working Load Limit (t)	Breaking Load Limit (t)	Dimensions (mm)		
					A ± 1.5	B ± 1.5	D ± 1
JCR195	2.5T	0.3	2.5	10	65	55	14
JCR196	4T	0.5	4	16	62	64	17
JCR197	6.5T	0.7	6.5	26	80	72	19
JCR198	8T	1.0	8.0	32	90	76	22

G80 FORGED D RING



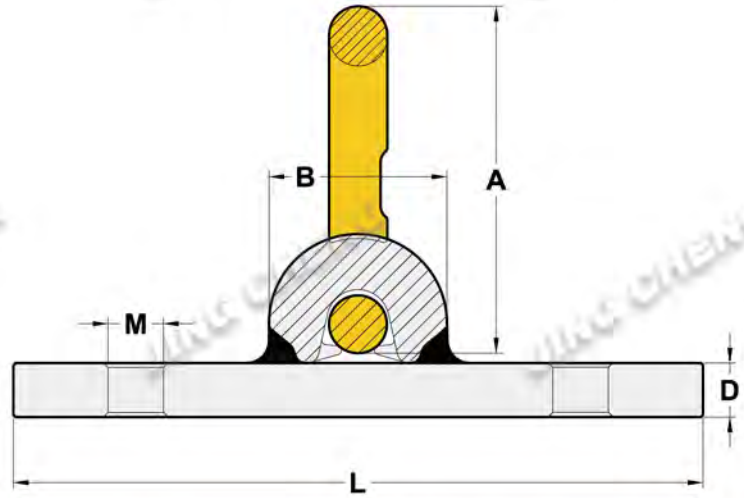
Item No.	Size	Weight Each (kg)	Working Load Limit (t)	Breaking Load Limit (t)	Dimensions (mm)		
					A ± 1.5	B ± 1.5	D ± 1
JCR199	2.5T	0.3	2.5	10	65	55	14
JCR200	4T	0.48	4	16	62	64	17
JCR201	6.5T	0.71	6.5	26	80	72	19
JCR202	8T	1.0	8.0	32	90	76	22

ALLOY D RING FOR WEB SLING



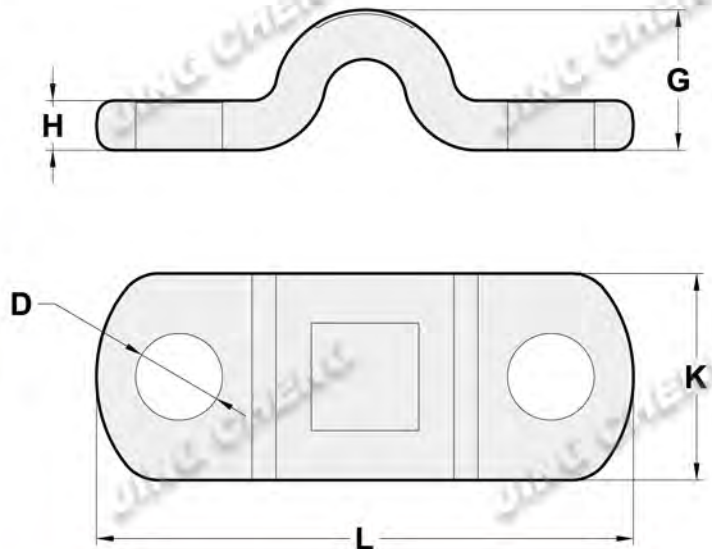
Item No.	Size	Weight Each (kg)	Working Load Limit (t)	Breaking Load Limit (t)	Dimensions (mm)		
					A ± 2	B ± 1.5	D ± 1
JCR203	1T	0.37	1	4	110	65	13
JCR204	2T	0.64	2	8	130	65	16
JCR205	3T	0.99	3	12	140	110	18
JCR206	4T	1.56	4	16	135	130	22

G80 WELD ON POVOTING D LINK WITH PAD



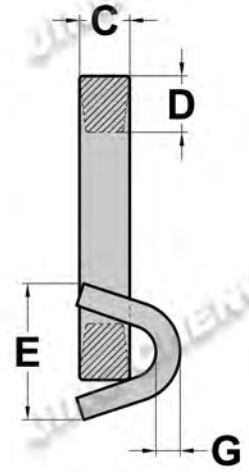
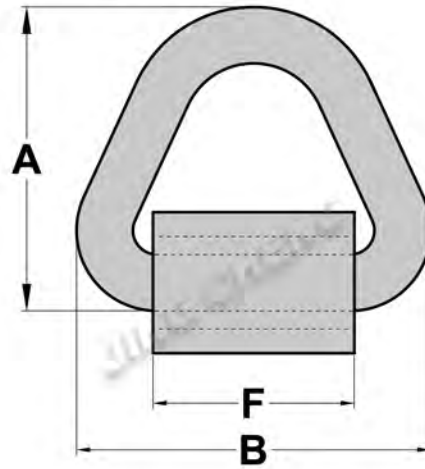
Item No.	Size	Weight Each (kg)	Working Load Limit (t)	Breaking Load Limit (t)	Dimensions (mm)				
					A ± 0.5	B	D ± 0.5	M ± 0.2	L ± 2
JCR207	1T	1.09	1	4	78	40	12	12.5	61
JCR208	2T	1.24	2	8	80.5	40	14	14.5	155
JCR209	3T	1.56	3	12	94	46.5	16	16.5	155
JCR210	5T	2.585	5	20	118	60	20	22.5	180
JCR211	8T	4.92	8	32	141	63	26	26.5	220

G80 FORGED LIFTING PAD



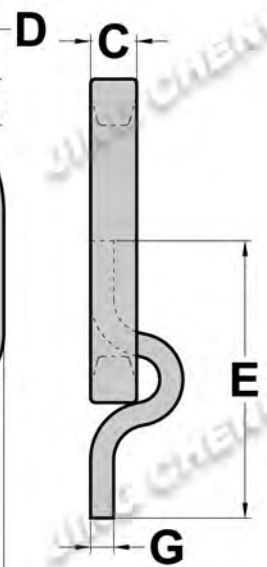
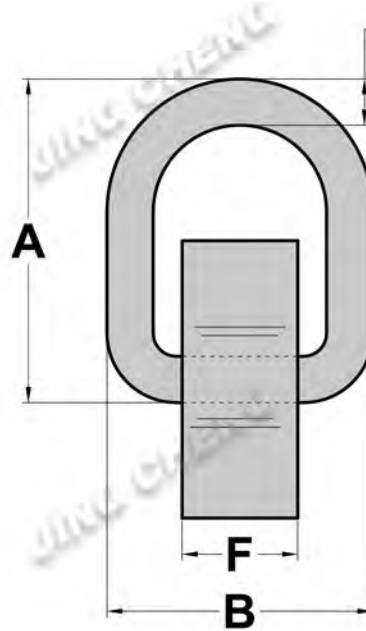
Item No.	Size	Weight Each (kg)	Working Load Limit (t)	Breaking Load Limit (t)	Dimensions (mm)				
					H ± 0.5	G ± 1	K ± 1	D ± 0.5	L ± 2
JCR212	3T	0.6	3	12	12	34	50	21	130
JCR213	5T	1.15	5	20	15	42	60	25	160
JCR214	8T	2.6	8	32	20	55	109	28	190

FERRY LASHING RING



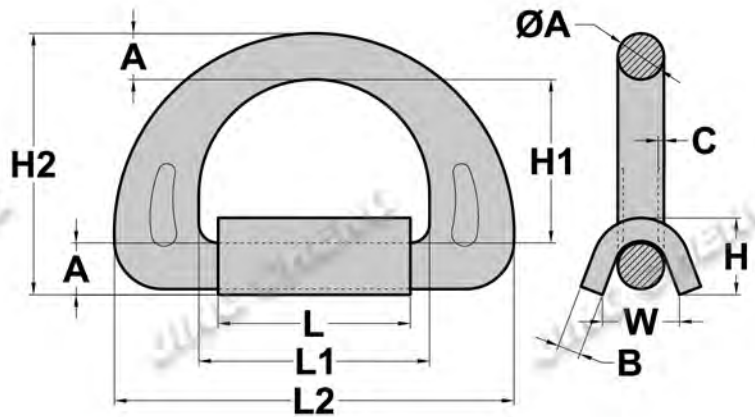
Item No.	Size	Working Load Limit (t)	Weight Each (kg)	Dimensions (mm)						
				A	B	C	D	E	F	G
JCR215	10T	10	2.95	152	176	25	28	70	100	12

HEAVY DUTY LASHING RING



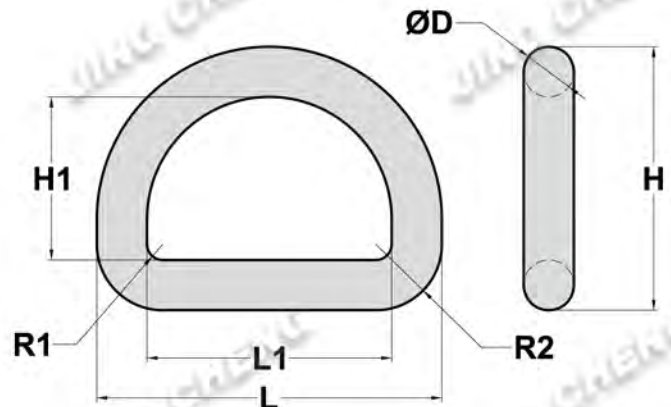
Item No.	Size	Working Load Limit (t)	Weight Each (kg)	Dimensions (mm)						
				A	B	C	D	E	F	G
JCR216	5T	5	1.5	140	115	20	20	120	50	10

FORGED D RING JIS TYPE



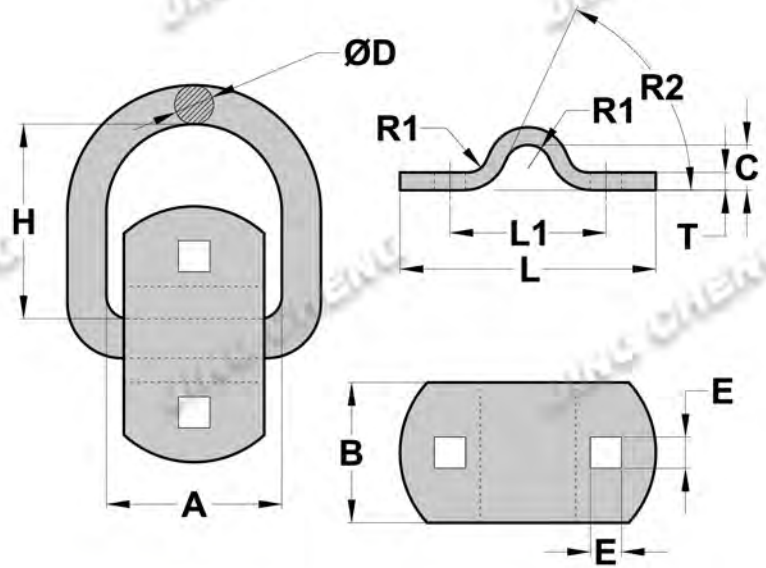
Item No.	Size	Working Load Limit (t)	Weight Each (kg)	Dimensions (mm)									
				A	C	H1	H2	L1	L2	L	B	H	W
JCR217	36T	9	1.68	21	3	80	122	136	212	110	12	28	38
JCR218	41T	10.3	2.3	24	3	85	133	120	208	110	14	34	40
JCR219	50T	12.5	3.03	27	3	90	144	151	241	130	14	34	40

JIS TYPE FORGED D RING



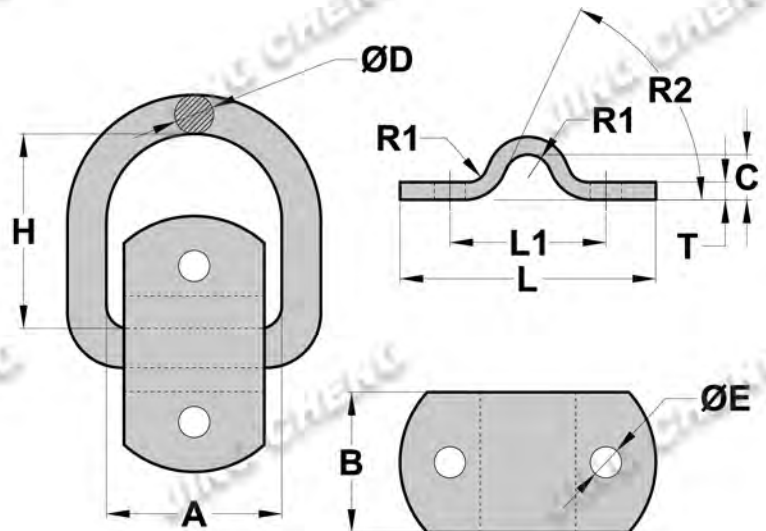
Item No.	Size (mm)	Weight Each (kg)	Dimensions (mm)						
			D	H	H1	L	L1	R1	R2
JCR220	13	0.34	13	84	58	110	84	5	18
JCR221	16	0.46	16	84	52	110	78	5	21
JCR222	19	0.63	19	90	52	115	77	6	25

D RING WITH STRAP (RECTANGULAR HOLES), TYPE A



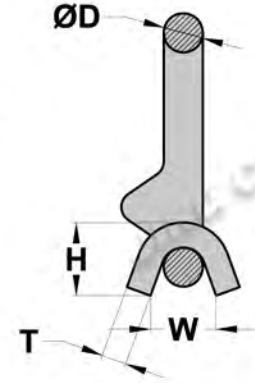
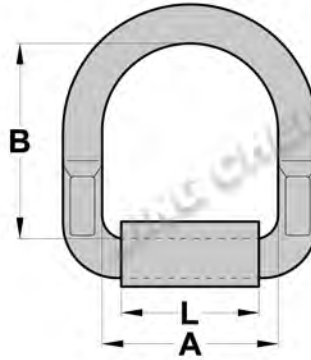
Item No.	Size (in.)	Minimum Breaking Strength (lbs.)	Weight Each (lbs.)	Dimensions (mm)										
				A	B	C	D	E	H	L	L1	R1	R2	T
JCR223	1/2	12000	1.1	57.1	45	12	13	10	63.5	72.5	45	6°	65°	4.5

D RING WITH STRAP (ROUND HOLES), TYPE A



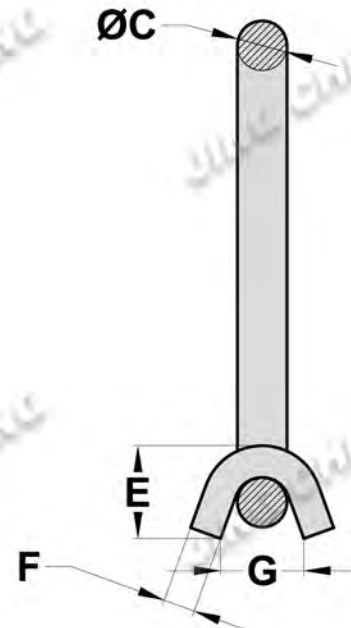
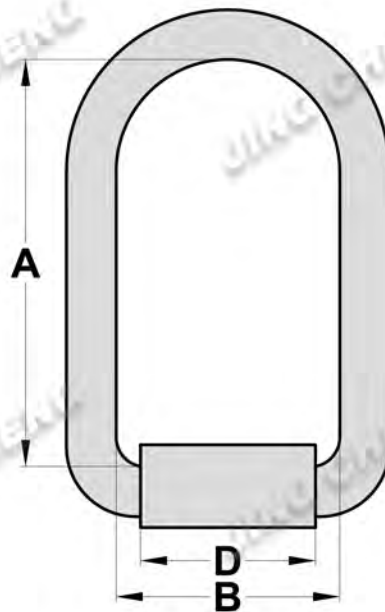
Item No.	Size (in.)	Minimum Breaking Strength (lbs.)	Weight Each (lbs.)	Dimensions (mm)										
				A	B	C	D	E	H	L	L1	R1	R2	T
JCR224	1/2	12000	1.1	57.1	45	12	13	10	63.5	72.5	45	6°	65°	4.5

D RING WITH SUPPORTING POINT



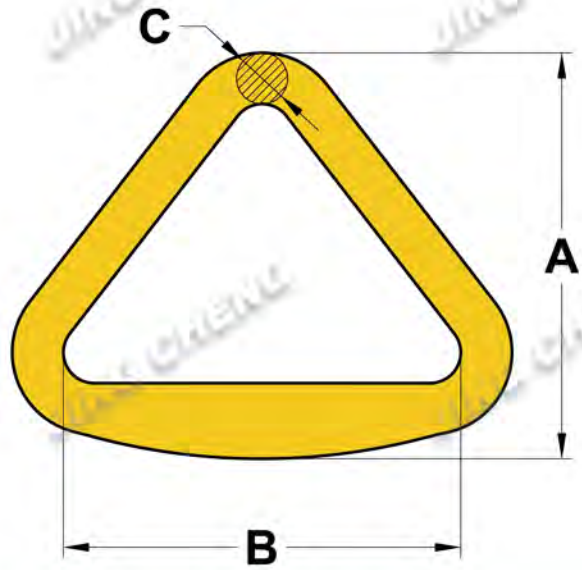
Item No.	Size	Minimum Breaking Strength (t)	Weight Each (kg)	Dimensions (mm)						
				A	B	D	L	H	W	T
JCR225	15T	30T	1.8	90	92	20	80	38.5	40	10

D RING WITH STRAP, TYPE A (1/2" WLL11000LBS)



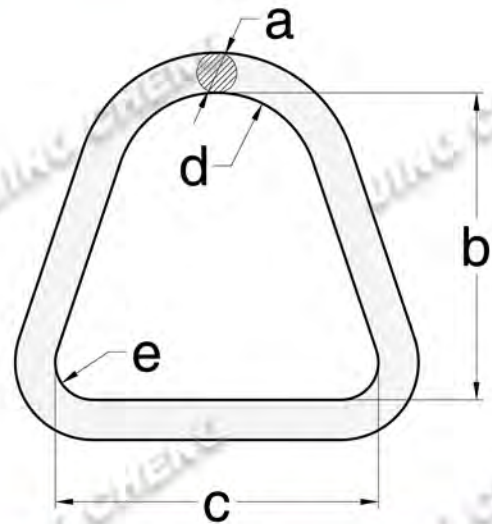
Item No.	Size	Minimum Breaking Strength (t)	Weight Each (lbs.)	Dimensions (mm)						
				A	B	C	D	E	F	G
JCR226	1/2	11000	0.53	115	65	13	45	25	8	33

ALLOY FORGED TRIANGLE RING



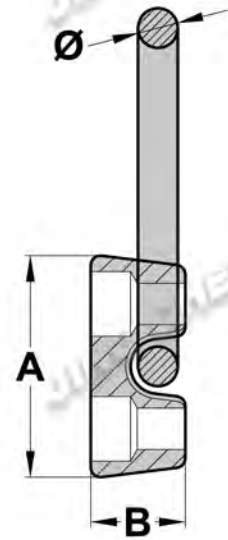
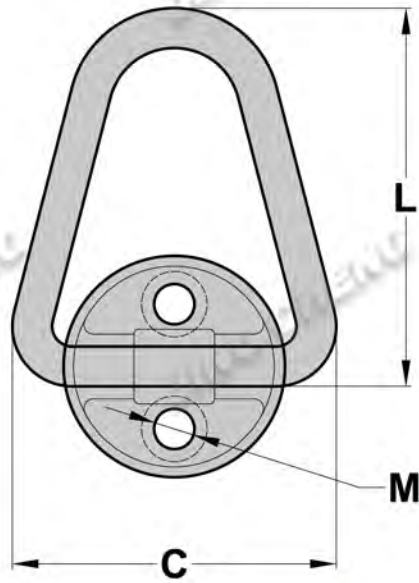
Item No.	Size (in.)	Working Load Limit (lbs.)	Minimum Breaking Strength (lbs.)	Weight Each (kg)	Dimensions (mm)		
					A	B	C
JCR227	2	2750	11000	0.44	80.3	56	12
JCR228	3	4500	18000	0.79	109.4	80	14
JCR229	4	5000	20000	1.37	142.0	108	16

TRIANGULAR LINK B.S. 2837-TABLE 1-1988



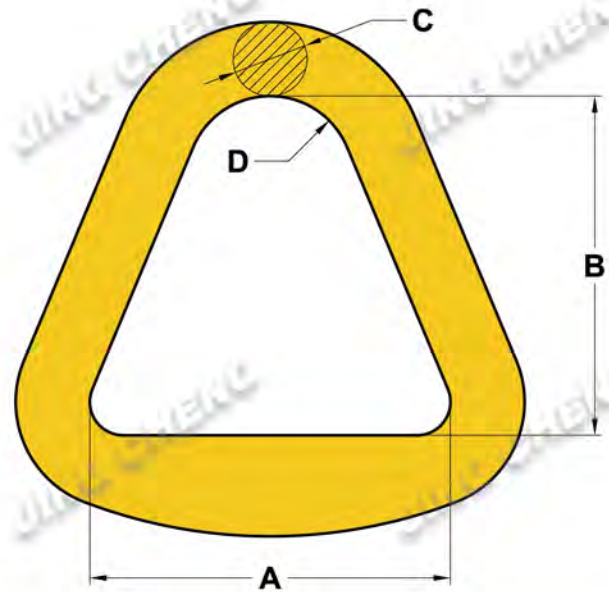
Item No.	Class	Weight Each (kg)	Safe Working Load (T)	Minimum Breaking Load (T)	Dimensions (mm)				
					a	b	c	d	e
JCR230	A	0.15	0.32	1.6	10	67	67	25	8
JCR231	B	0.26	0.50	2.5	12	67	67	25	8
JCR232	C	0.35	0.80	4.0	14	67	67	25	8
JCR233	D	0.90	1.25	6.25	19	115	93	38	14
JCR234	E	1.23	2.00	10.0	22	115	93	38	14
JCR235	F	1.75	3.20	16.0	26	115	93	38	14

FORGED TRIANGLE RING WITH BASE



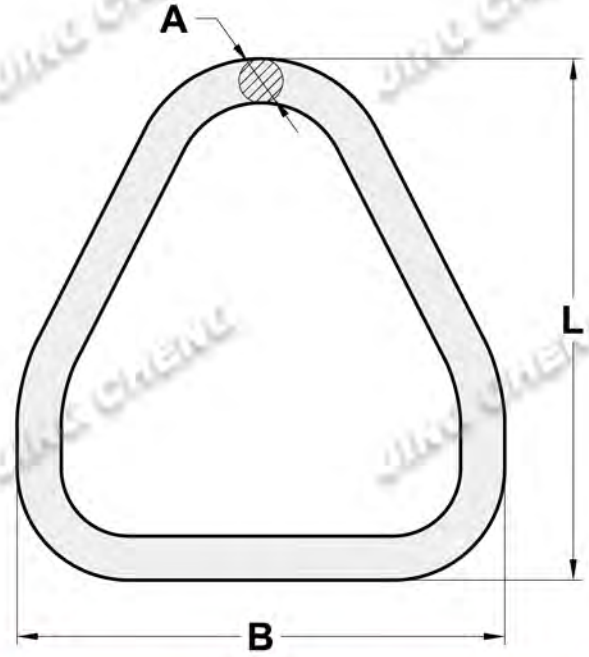
Item No.	Size	Working Load Limit (lbs.)	Breaking Load (lbs.)	Weight Each (kg)	Dimensions (mm)					
					A ± 2	Φ ± 2	B ± 2	C ± 3	L ± 3	M ± 3
JCR236	2000	2000	12000	0.3	44.5	8	19	65	76	8.3

FLAT DELTA RING



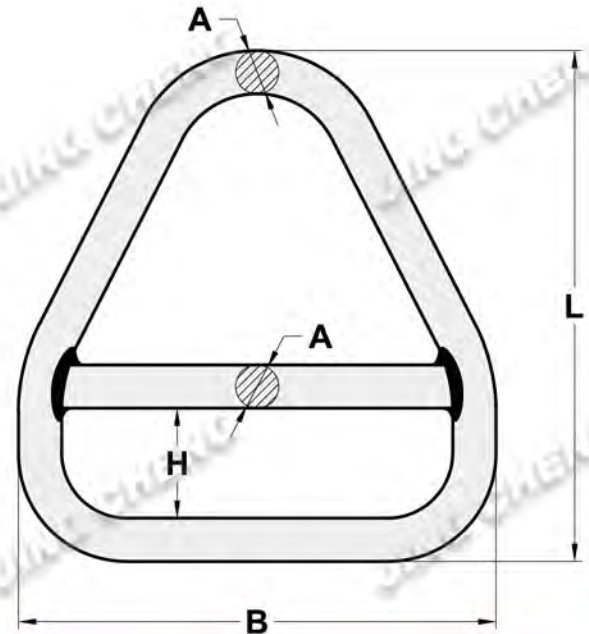
Item No.	Size (in)	Minimum Breaking Strength (lbs)	Weight Each (lbs)	Dimensions (mm)			
				A	B	C	D
JCR237	3	14400	1.63	81	85.7	17.0	17.5
JCR238	4	4000	3.15	108	101.6	22.2	25

ALLOY TRIANGLE RING FOR WEB SLING



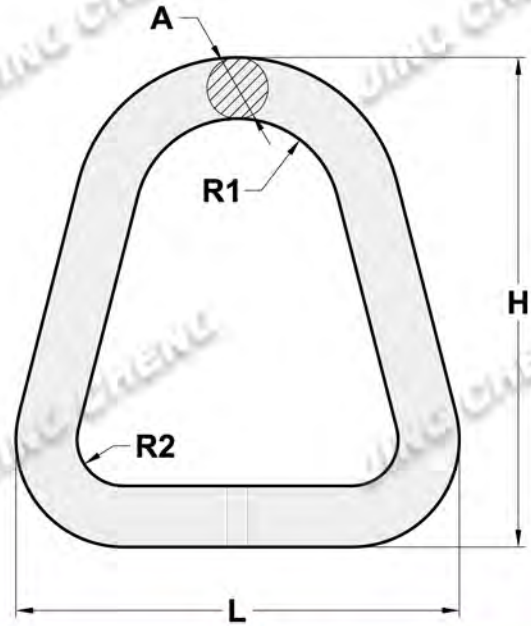
Item No.	Size	Weight Each (kg)	Working Load Limit (t)	Breaking Load Limit (t)	Dimensions (mm)		
					A	B	L
JCR239	2T	0.81	2	8	16	145	194
JCR240	3T	1.66	3	12	20	199	248
JCR241	4T	2.25	4	16	22	243	260
JCR242	6T	4.91	6	24	28	340	340

ALLOY TRIANGLE RING FOR WEB SLING



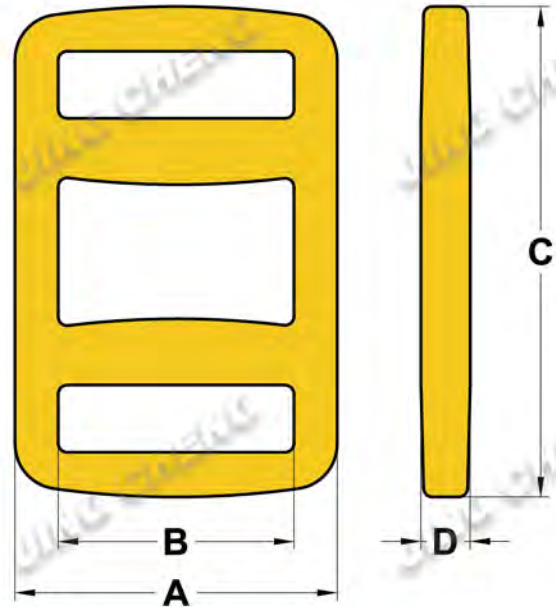
Item No.	Size	Weight Each (kg)	Working Load Limit (t)	Breaking Load Limit (t)	Dimensions (mm)			
					A	B	H	L
JCR243	2T	0.99	2	8	16	145	46	194
JCR244	3T	2.04	3	12	20	199	57	248
JCR245	4T	2.82	4	16	22	243	56	260
JCR246	6T	6.30	6	24	28	340	78	340

ALLOY TRIANGLE RING FOR WEB SLING



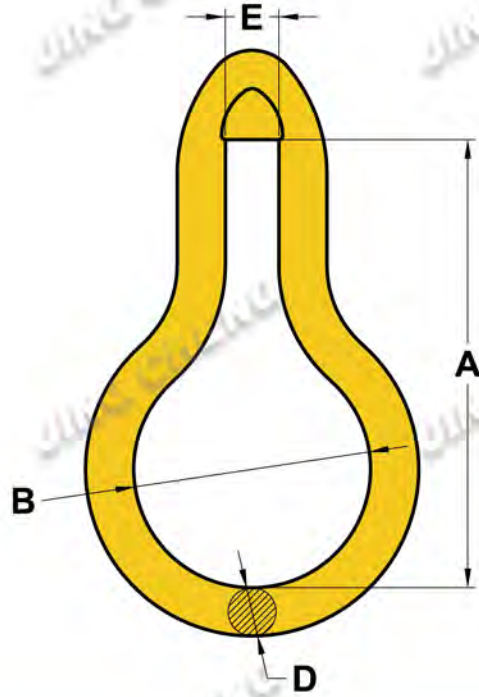
Item No.	Size	Weight Each (kg)	Working Load Limit (T)	Breaking Load (T)	Dimensions (mm)				
					A	H	L	R1	R2
JCR247	2T	0.47	2	8	16	112	100	15	5
JCR248	3T	1.12	3	12	20	160	145	33.5	6
JCR249	4T	1.52	4	16	22	175	178	32	10
JCR250	6T	3.5	6	24	28	235	260	45	25

ONE WAY LASHING BUCKLE



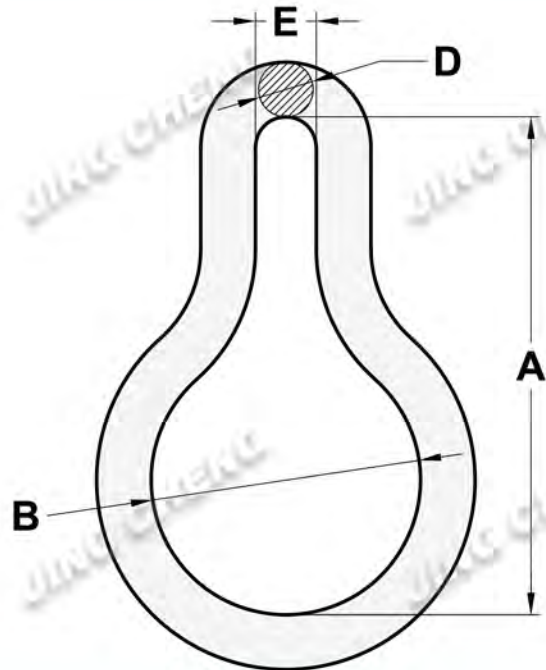
Item No.	Size	Working Load Limit (kg)	Breaking Load (kg)	Weight Each (kg)	Dimensions (mm)			
					A	B	C	D
JCR251	30#	3000	6000	0.20	54	33	102	10
JCR252	40#	4000	8000	0.27	64	42	107	11
JCR253	50#	5000	10000	0.41	72	52	110	12

WAIST LINK



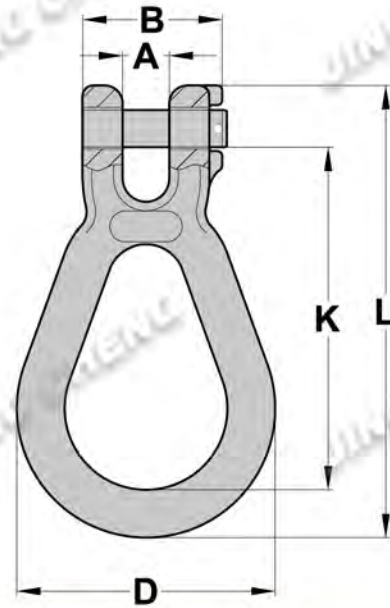
Item No.	Size (in.)	Minimum Breaking Strength (lbs.)	Weight Each (lbs.)	Dimensions (mm)			
				A	B	E	D
JCR254	3/8	31000	2.03	139	59	13.6	19

GRAB LINK



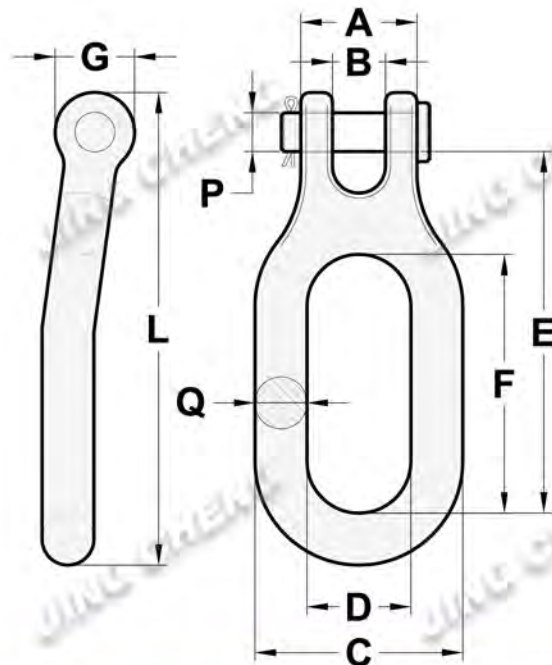
Item No.	Size (in.)	Working Load Limit (lbs.)	Weight Each (lbs.)	Dimensions (mm)			
				A	B	E	D
JCR255	5/8 × 7/8	44000	3.19	162	98.4	22.2	15.9
JCR256	1 × 7/8	44000	3.22	162	98.4	22.2	25.4

CLEVIS PEAR SHAPE LINK



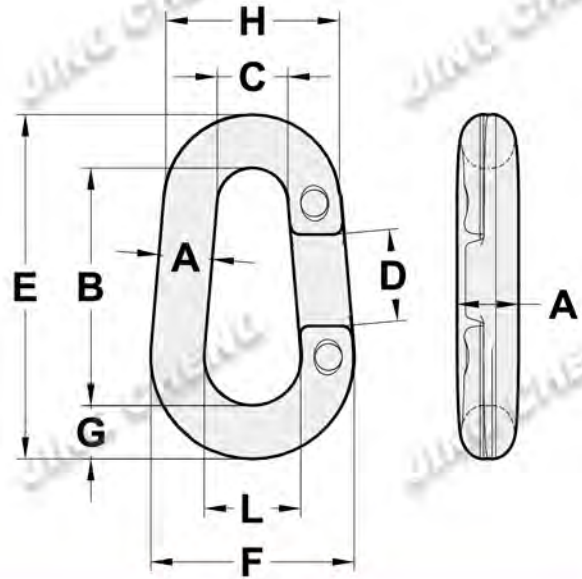
Item No.	Size	Working Load Limit (t)	Breaking Load (t)	Weight Each (kg)	Dimensions (mm)				
					$B \pm 1.5$	$A \pm 0.5$	$D \pm 2$	$K \pm 2$	$L \pm 2$
JCR257	7/8-8	2	8	0.555	35	12	86	108	142
JCR258	10-8	3.15	12.6	0.63	36	13.5	95	119	156
JCR259	13-8	5.3	21.2	0.93	48.5	18	100	132	175

CLEVIS LINK



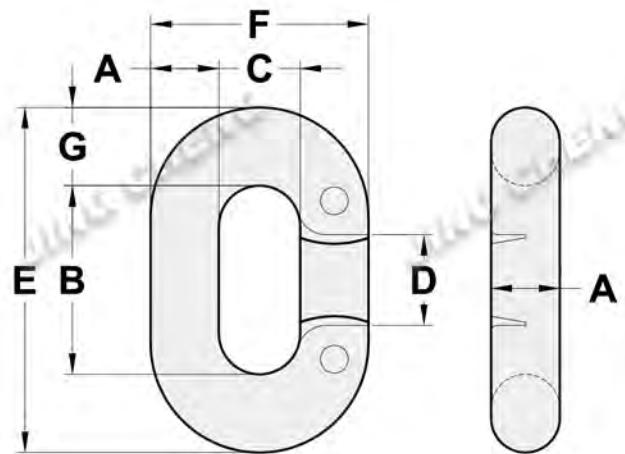
Item No.	Size (in)	Working Load Limit (kg)	Weight Each (kg)	Dimensions (mm)									
				A	B	C	D	E	F	G	P	Q	L
JCR260	5/16	4700	0.36	28.5	11	60	33	98.5	66	24	10	13.5	129.5
JCR261	3/8	6600	0.77	33	12	81	46	139.5	102	27	12	17.5	177
JCR262	1/2	11300	1.3	41	15	90	46	141	102	33	16	22	188
JCR263	5/8	15800	2.11	57	26	102	51	177	127	39	19	25.5	232

PEAR SHAPE REPLACEMENT LINKS



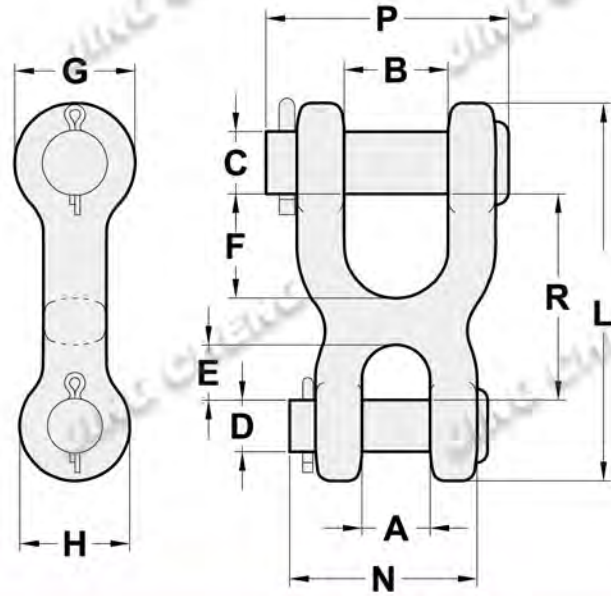
Item No.	Chain Size (in.)	Working Load Limit (lbs.)	Weight Each (kg)	Dimensions (in.)								
				A	B	C	D	E	F	G	H	L
JCR264	3/8	1850	25	0.41	2.00	0.56	0.81	2.94	1.63	0.47	1.38	0.81
JCR265	1/2	3300	50	0.50	2.50	0.69	1.00	3.63	2.00	0.56	1.69	1.00
JCR266	5/8	5000	75	0.63	2.75	0.81	1.06	4.00	2.38	0.63	2.06	1.13
JCR267	3/4	7100	125	0.75	3.13	1.00	1.13	4.75	2.75	0.81	2.50	1.25
JCR268	7/8	9600	200	0.88	3.69	1.25	1.38	5.56	3.25	0.94	3.00	1.50

OVAL-SHAPE REPLACEMENT LINKS



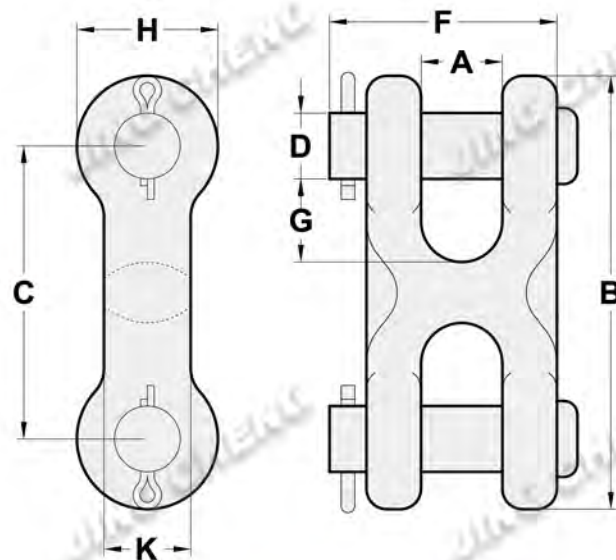
Item No.	Chain Size (in.)	Working Load Limit (lbs.)	Weight Each (kg)	Dimensions (in.)						
				A	B	C	D	E	F	G
JCR269	3/16	800	2.5	0.25	0.69	0.34	0.34	1.19	0.78	0.28
JCR270	1/4	1325	6.25	0.28	0.88	0.44	0.44	1.50	1.00	0.31
JCR271	5/16	1950	12.5	0.34	0.94	0.47	0.47	1.69	1.16	0.38
JCR272	3/8	2750	20.0	0.41	1.13	0.56	0.56	2.06	1.38	0.47
JCR273	7/16	3625	27.5	0.47	1.28	0.59	0.59	2.34	1.53	0.53
JCR274	1/2	4750	37.5	0.53	1.47	0.66	0.66	2.66	1.72	0.59
JCR275	5/8	7250	72.5	0.66	1.81	0.78	0.81	3.31	2.09	0.75
JCR276	3/4	10250	122.5	0.78	2.13	0.94	1.06	3.88	2.50	0.88
JCR277	7/8	12000	175.0	0.91	2.50	1.13	1.13	4.50	2.94	1.00
JCR278	1	15500	250.0	1.03	2.75	1.25	1.25	5.00	3.31	1.13

S247 DOUBLE CLEVIS LINK



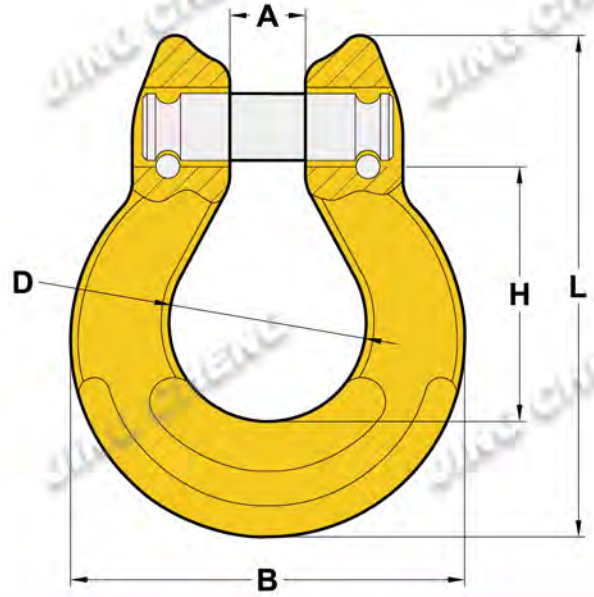
Item No.	Chain Size (in.)	Working Load Limit (lbs.)	Weight Each (kg)	Dimensions (in.)											
				A	B	C	D	E	F	G	H	L	N	P	R
JCR279	1/4	2600	0.38	0.50	0.75	0.50	0.31	0.38	0.75	1.00	0.81	2.81	1.38	1.66	1.50
JCR280	5/16-3/8	5400	0.81	0.56	1.00	0.63	0.44	0.47	1.00	1.19	1.00	3.53	1.75	2.25	1.91
JCR281	7/16	7200	1.25	0.69	1.13	0.69	0.56	0.59	1.09	1.31	1.19	4.06	2.00	2.50	2.19
JCR282	1/2	9200	1.56	0.81	1.25	0.75	0.63	0.68	1.25	1.44	1.31	4.53	2.25	2.75	2.47

S249 TWIN CLEVIS LINK



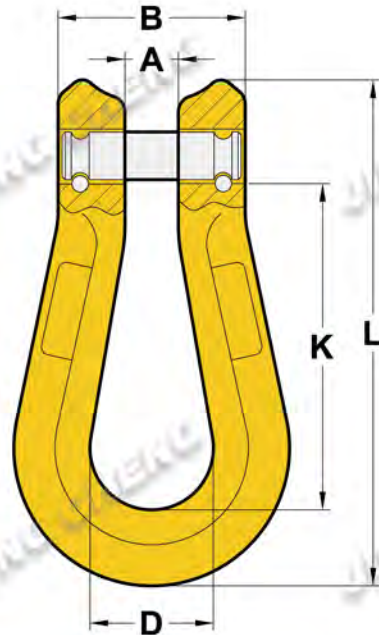
Item No.	Chain Size (in.)	Working Load Limit (lbs.)	Weight Each (kg)	Dimensions (in.)											
				A	B	C	D	E	F	G	H	L	N	P	R
JCR283	1/4-5/16	2600	0.38	0.50	0.75	0.50	0.31	0.38	0.75	1.00	0.81	2.81	1.38	1.66	1.50
JCR284	3/8	5400	0.81	0.56	1.00	0.63	0.44	0.47	1.00	1.19	1.00	3.53	1.75	2.25	1.91
JCR285	7/16-1/2	7200	1.25	0.69	1.13	0.69	0.56	0.59	1.09	1.31	1.19	4.06	2.00	2.50	2.19

G80 OMEGA LINK



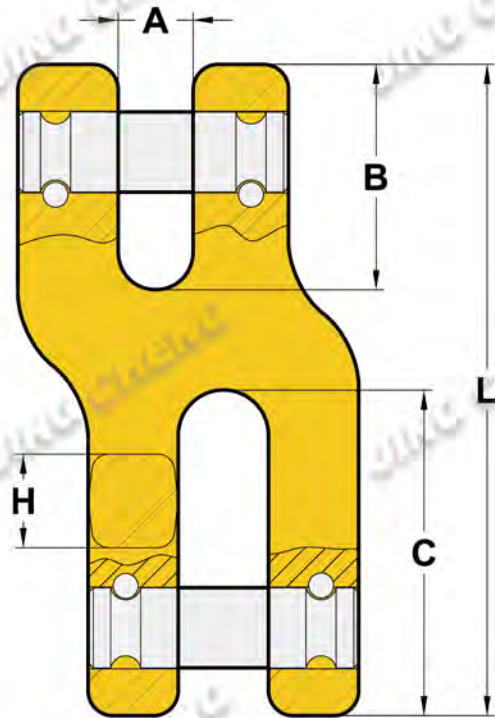
Item No.	Size	Weight Each (kg)	Working Load Limit (t)	Breaking Load Limit (t)	Dimensions (mm)				
					A ± 0.5	B ± 2	D ± 1	H ± 1.5	L ± 2
JCR286	6	0.12	1.12	4.48	8	41	20.5	25	52
JCR287	7/8	0.22	2.0	8.0	10	52	23.5	35	68.5
JCR288	10	0.36	3.15	12.6	12	62	31.5	40.5	81
JCR289	13	0.71	5.3	21.2	15	81	41	54	108
JCR290	16	1.3	8	32	19	99	49.5	64	126
JCR291	20	2.2	12.5	50	23	118	58	75.6	152

G80 LONG OMEGA LINK



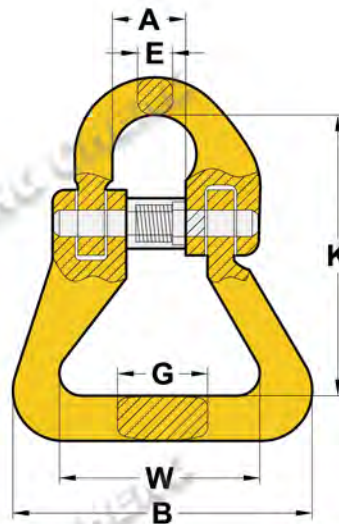
Item No.	Size	Weight Each (kg)	Working Load Limit (t)	Breaking Load Limit (t)	Dimensions (mm)				
					A ± 0.5	B ± 1.2	D ± 1	K ± 1.5	L ± 2
JCR292	6	0.12	1.12	4.48	8	28	20	47.5	75
JCR293	7/8	0.17	2.0	8.0	10	32.5	25	59	92
JCR294	10	0.43	3.15	12.6	13	45.5	30	78.5	123
JCR295	13	1	5.3	21.2	15	57.5	46	94	154

G80 CHAIN CONNECTOR



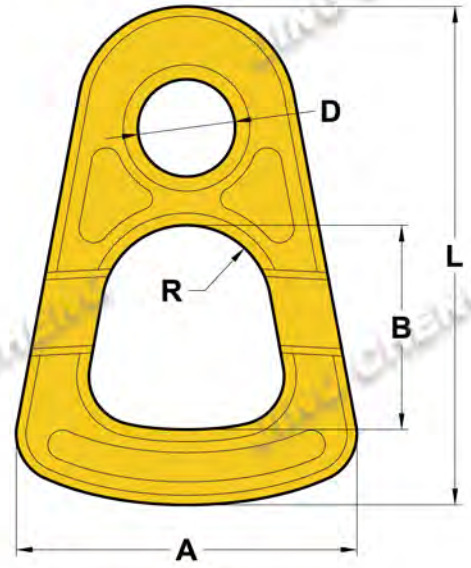
Item No.	Size	Weight Each (kg)	Working Load Limit (t)	Breaking Load Limit (t)	Dimensions (mm)				
					A ± 0.5	B ± 1.2	D ± 1	K ± 1.5	L ± 2
JCR296	13	1.2	5.3	21.2	18	45	65	35	130

G80 WEB SLING CONNECTOR



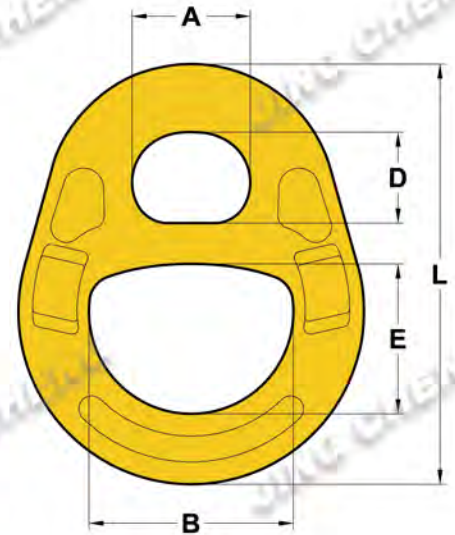
Item No.	Size	Weight Each (kg)	Working Load Limit (t)	Breaking Load Limit (t)	Dimensions (mm)					
					A ± 1.5	B ± 2	K ± 1	W ± 2	G ± 1	E ± 1
JCR297	6	0.2	1.12	4.48	15	60	56	40	18	7
JCR298	7/8	0.3	2.0	8.0	20	61.5	63.7	40	24	9.5
JCR299	10	0.68	3.15	12.6	24	66	83	39	30.5	11
JCR300	13	1.47	2.3	21.2	28	88	93.7	55	36.8	16.5
JCR301	16	2.3	8	32	34.5	108	120	65.5	45.2	19.8
JCR302	20	3.3	12.5	50	41	129	138	80	51.8	23
JCR303	22	6.89	15	60	50	191	180	126	70	26
JCR304	26	10.62	21.2	84.8	58	228.4	209.5	152	86	30
JCR305	32	18.92	31.5	126	72.5	252	279	160	91	55

ALLOY FORGED EVR RING



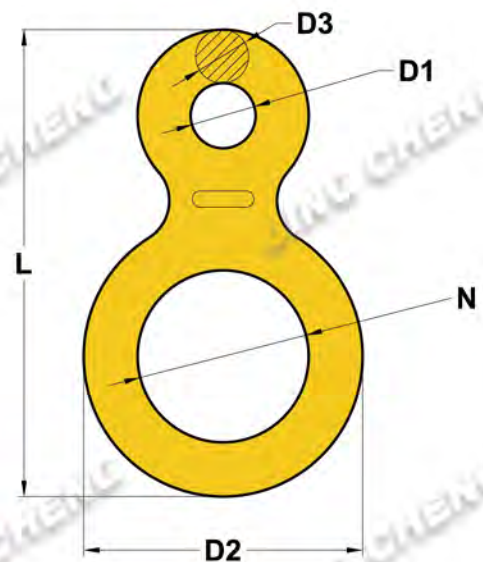
Item No.	Size	Weight Each (kg)	WLL (t)	BL (t)	Dimensions (mm)				
					$A \pm 0.5B \pm 0.5$	R	D	$L \pm 1$	
JCR306	8T	1.47	8	40	97.5	68	23.5	38	176
JCR307	10T	2.59	10	50	140	84	35	40	205

ALLOY FORGED EVR RING



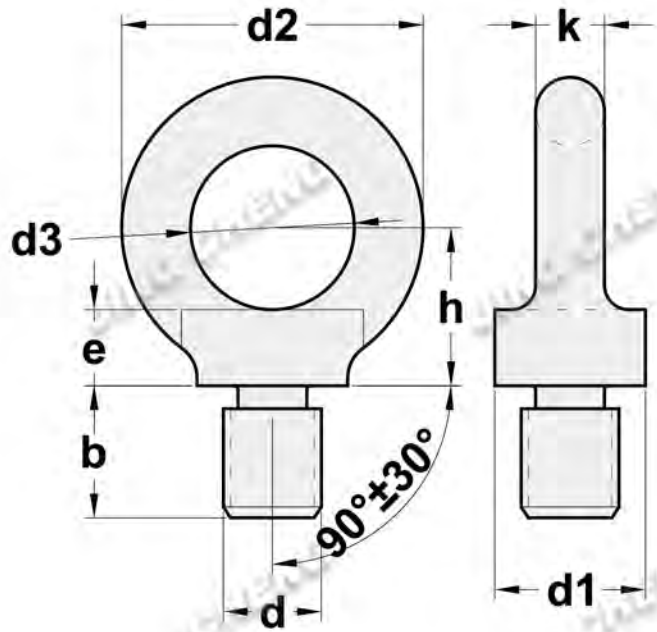
Item No.	Size	Weight Each (kg)	WLL (t)	BL (t)	Dimensions (mm)				
					$A \pm 1$	$B \pm 1.2$	$D \pm 1$	$E \pm 1$	$L \pm 2$
JCR308	15T	2.2	15	75	52	90	40	66	185
JCR309	20T	5.38	20	100	82	125	45.5	106	227.5

ALLOY FORGED EVR RING

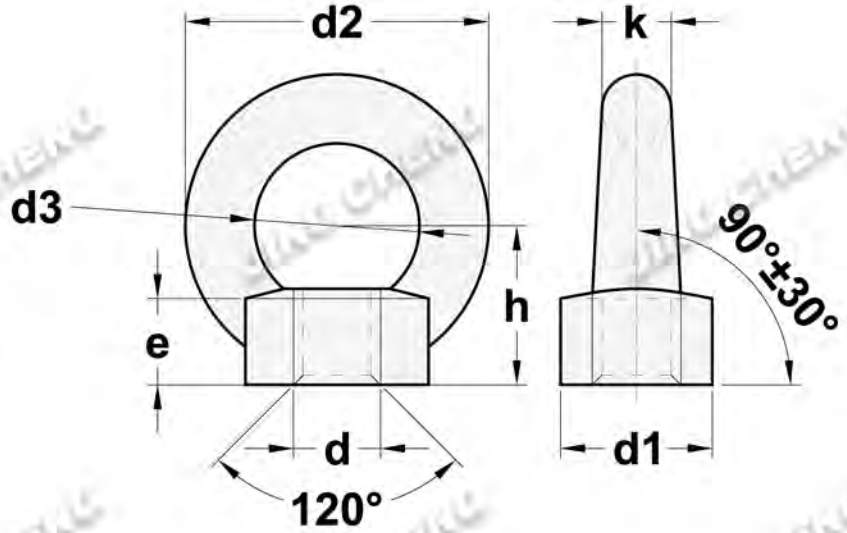


Item No.	Size	Weight Each (kg)	WLL (t)	BL (t)	Dimensions (mm)				
					$N \pm 1$	$D1 \pm 1.2$	$D2 \pm 1$	$D3 \pm 1$	$L \pm 2$
JCR310	12T	4.4	12	60	100	38	163	32	270

DIN580 EYE BOLT

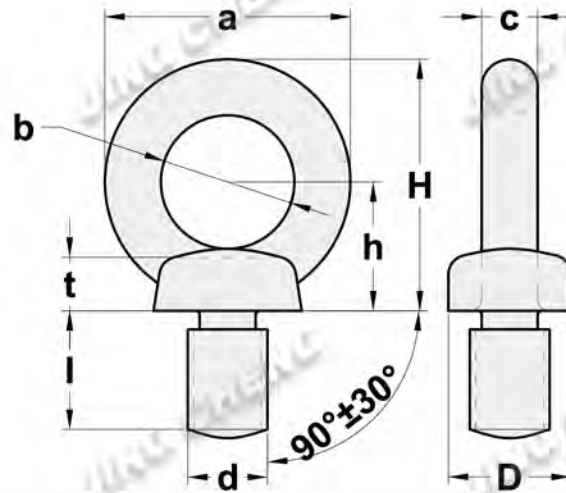


Item No.	Size (d)	Working Load Limit (t)	Weight Per 100 (kg)	Dimensions (mm)						
				d1	d2	d3	b	e	h	k
JCR311	M6	0.08	5	20	36	20	13	6	18	8
JCR312	M8	0.14	6	20	36	20	13	6	18	8
JCR313	M10	0.23	11	25	45	25	17	8	22.5	10
JCR314	M12	0.34	18	30	54	30	20.5	10	26	12
JCR315	M14	0.49	28	35	63	35	27	12	30.5	14
JCR316	M16	0.7	28	35	63	35	27	12	30.5	14
JCR317	M18	0.93	45	40	72	40	30	14	35	16
JCR318	M20	1.2	45	40	72	40	30	14	35	16
JCR319	M22	1.5	67	45	81	45	35	16	40	18
JCR320	M24	1.8	87	50	90	50	36	18	45	20
JCR321	M27	2.5	88	50	90	50	36	18	45	20
JCR322	M30	3.6	166	65	108	60	45	22	55	24
JCR323	M33	4.3	172	65	108	60	45	22	55	24
JCR324	M36	5.1	265	75	126	70	54	26	65	28
JCR325	M39	6.1	280	75	126	70	54	26	65	28
JCR326	M42	7.0	403	85	144	80	63	30	75	32
JCR327	M45	8.0	425	85	144	80	63	30	75	32
JCR328	M48	8.6	638	100	166	90	68	35	85	38
JCR329	M52	9.9	660	100	166	90	68	35	85	38
JCR330	M56	11.5	880	110	184	100	78	38	95	42
JCR331	M64	16.0	1240	120	206	110	90	42	105	48
JCR332	M72	20	23300	150	260	140	100	50	130	60
JCR333	M80	28	34200	170	296	160	112	55	150	68
JCR334	M100	40	49100	190	330	180	130	60	165	75



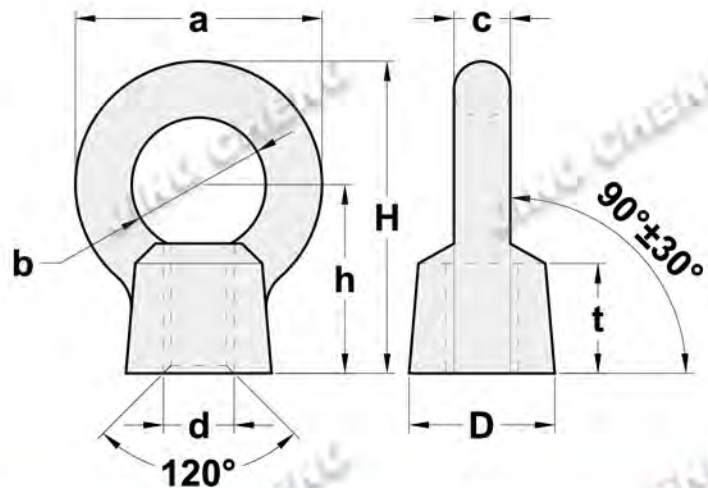
Item No.	Size (d)	Working Load Limit (t)	Weight Per 100 (kg)	Dimensions (mm)					
				d1	d2	d3	e	h	k
JCR335	M6	0.08	4.5	20	36	20	8.5	18	8
JCR336	M8	0.14	5	20	36	20	8.5	18	8
JCR337	M10	0.23	9	25	45	25	10	22.5	10
JCR338	M12	0.34	16	30	54	30	11	26	12
JCR339	M14	0.49	24	35	63	35	13	30.5	14
JCR340	M16	0.7	24	35	63	35	13	30.5	14
JCR341	M18	0.93	36	40	72	40	16	35	16
JCR342	M20	1.2	36	40	72	40	16	35	16
JCR343	M22	1.5	38	45	81	45	18	40	18
JCR344	M24	1.8	72	50	90	50	20	45	20
JCR345	M27	2.5	70	50	90	50	20	45	20
JCR346	M30	3.6	132	65	108	60	25	55	24
JCR347	M33	4.3	130	65	108	60	25	55	24
JCR348	M36	5.1	208	75	126	70	30	65	28
JCR349	M39	6.1	202	75	126	70	30	65	28
JCR350	M42	7	311	85	144	80	35	75	32
JCR351	M45	8	304	85	144	80	35	75	32
JCR352	M48	8.6	502	100	166	90	40	85	38
JCR353	M52	9.9	495	100	166	90	40	85	38
JCR354	M56	11.5	669	110	184	100	45	95	42
JCR355	M64	16	930	120	206	110	50	105	48
JCR356	M72	20	1850	150	260	140	60	130	60
JCR357	M80	28	2730	170	296	160	70	150	68
JCR358	M100	40	3640	190	330	180	80	165	75

JIS B 1168-1994 EYE BOLT



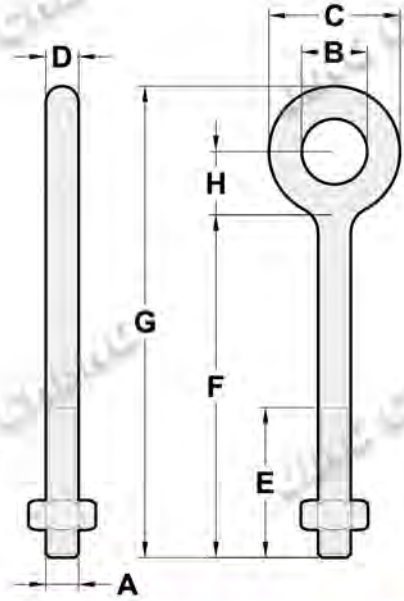
Item No.	Size (d)	Working Load Limit (t)	Weight Each (kg)	Dimensions (mm)								
				a	b	c	D	t	h	H	l	t
JCR359	M8	0.785	0.03	32.6	20	6.3	16	5	17	33.3	15	5
JCR360	M10	1.47	0.06	41	25	8	20	7	21	41.5	18	7
JCR361	M12	2.16	0.12	50	30	10	25	9	26	51	22	9
JCR362	M16	4.41	0.22	60	35	12.5	30	11	30	60	27	11
JCR363	M20	6.18	0.4	72	40	16	30	13	35	71	30	13
JCR364	M24	9.32	0.8	90	50	20	45	18	45	90	38	18
JCR365	M30	14.7	1.54	110	60	25	60	22	55	110	45	22
JCR366	M36	22.6	2.83	133	70	31.5	70	26	65	131.5	55	26

JIS B 1169-1994 EYE NUT



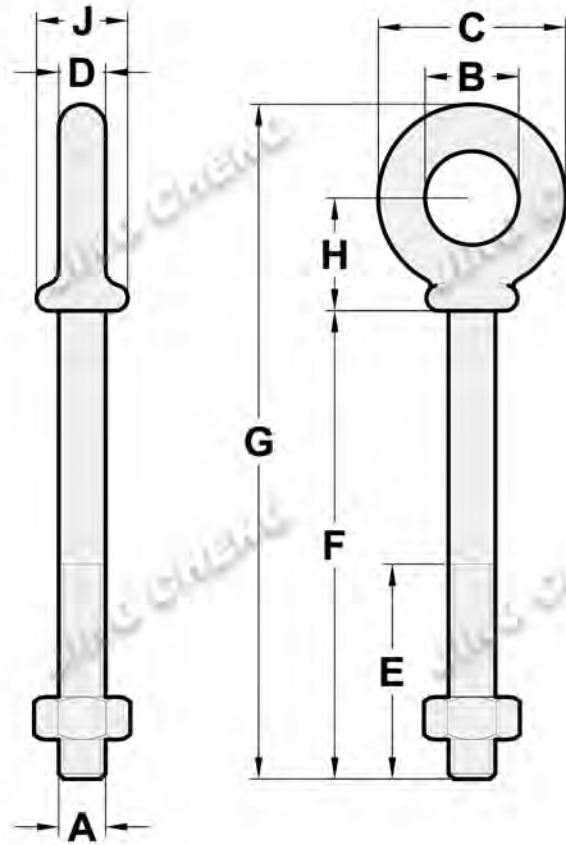
Item No.	Size (d)	Working Load Limit (t)	Weight Each (kg)	Dimensions (mm)								
				a	b	c	D	t	h	H	r	
JCR367	M8	0.785	0.03	32.6	20	6.3	16	12	23	39.3	8	
JCR368	M10	1.47	0.06	41	25	8	20	15	28	48.5	10	
JCR369	M12	2.16	0.125	50	30	10	25	19	36	61	12	
JCR370	M16	4.41	0.23	60	35	12.5	30	23	42	72	14	
JCR371	M20	6.18	0.38	72	40	16	35	28	50	86	16	
JCR372	M24	9.32	0.8	90	50	20	45	38	66	111	20	
JCR373	M30	14.7	1.58	110	60	25	60	46	80	135	30	
JCR374	M36	22.6	2.75	133	70	31.5	70	55	95	161.5	35	

US TYPE REGULAR NUT EYE BOLTS G291



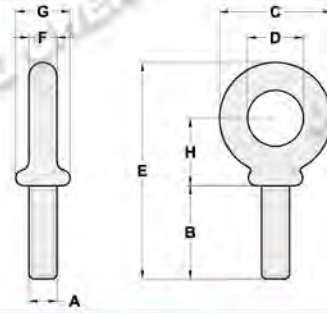
Item No.	Size (in.)	Working Load Limit (lbs.)	Weight Per 100 (lbs.)	Dimensions (in.)							
				A	B	C	D	E	F	G	H
JCR375	1/4 × 2	650	8.2	0.25	0.5	1	0.25	1.5	2	3.06	0.56
JCR376	1/4 × 4	650	11.7	0.25	0.5	1	0.25	2.5	4	5.06	0.56
JCR377	5/16 × 2-1/4	1200	13.3	0.31	0.62	1.25	0.31	1.5	2.25	3.56	0.69
JCR378	5/16 × 4-1/4	1200	25	0.31	0.62	1.25	0.31	2.5	4.25	5.56	0.69
JCR379	3/8 × 2-1/2	1550	23.3	0.38	0.75	1.5	0.38	1.5	2.5	4.12	0.88
JCR380	3/8 × 4-1/2	1550	29.5	0.38	0.75	1.5	0.38	2.5	4.5	6.12	0.88
JCR381	3/8 × 6	1550	35.2	0.38	0.75	1.5	0.38	2.5	6	7.62	0.88
JCR382	1/2 × 3-1/4	2600	50.3	0.5	1	2	0.5	1.5	3.25	5.38	1.12
JCR383	1/2 × 6	2600	66.1	0.5	1	2	0.5	3	6	8.12	1.12
JCR384	1/2 × 8	2600	82	0.5	1	2	0.5	3	8	10.12	1.12
JCR385	1/2 × 10	2600	88	0.5	1	2	0.5	3	10	12.12	1.12
JCR386	1/2 × 12	2600	114.2	0.5	1	2	0.5	3	12	14.12	1.12
JCR387	5/8 × 4	5200	103.1	0.62	1.25	2.5	0.62	2	4	6.69	1.44
JCR388	5/8 × 6	5200	118.2	0.62	1.25	2.5	0.62	3	6	8.69	1.44
JCR389	5/8 × 8	5200	135.1	0.62	1.25	2.5	0.62	3	8	10.69	1.44
JCR390	5/8 × 10	5200	153.6	0.62	1.25	2.5	0.62	3	10	12.69	1.44
JCR391	5/8 × 12	5200	167.1	0.62	1.25	2.5	0.62	4	12	14.69	1.44
JCR392	3/4 × 4-1/2	7200	168.6	0.75	1.5	3	0.75	2	4.5	7.69	1.44
JCR393	3/4 × 6	7200	184.5	0.75	1.5	3	0.75	3	6	9.19	1.69
JCR394	3/4 × 8	7200	207.9	0.75	1.5	3	0.75	3	8	11.19	1.69
JCR395	3/4 × 10	7200	235	0.75	1.5	3	0.75	3	10	13.19	1.69
JCR396	3/4 × 12	7200	257.5	0.75	1.5	3	0.75	4	12	15.18	1.69
JCR397	3/4 × 15	7200	298	0.75	1.5	3	0.75	5	15	18.19	1.69
JCR398	7/8 × 5	10600	270	0.88	1.75	3.5	0.88	2.5	5	8.75	2
JCR399	7/8 × 8	10600	308	0.88	1.75	3.5	0.88	4	8	11.75	2
JCR400	7/8 × 12	10600	400	0.88	1.75	3.5	0.88	4	12	15.75	2
JCR401	1 × 6	13300	421	1	2	4	1	3	6	10.31	2.31
JCR402	1 × 9	13300	468.5	1	2	4	1	4	9	13.31	2.31
JCR403	1 × 12	13300	540	1	2	4	1	4	12	16.31	2.31
JCR404	1 × 18	13300	650	1	2	4	1	7	18	22.31	2.31
JCR405	1-1/4 × 8	21000	750	1.25	2.5	5	1.25	4	8	13.38	2.88
JCR406	1-1/4 × 12	21000	900	1.25	2.5	5	1.25	4	12	17.38	2.88
JCR407	1-1/4 × 20	21000	1210	1.25	2.5	5	1.25	6	20	25.38	2.88

US TYPE FORGED SHOULDER NUT EYE BOLTS G277



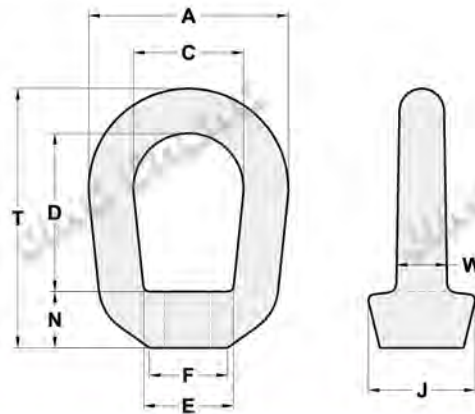
Item No.	Size (in.)	Working Load Limit (lbs.)	Weight Per 100 (lbs.)	Dimensions (in.)								
				A	B	C	D	E	F	G	H	J
JCR408	1/4 x 2	650	6.6	0.25	0.5	0.88	0.19	1.5	2	2.94	0.5	0.47
JCR409	1/4 x 4	650	9.1	0.25	0.5	0.88	0.19	2.5	4	4.94	0.5	0.47
JCR410	5/16 x 2-1/4	1200	12.5	0.31	0.62	1.12	0.25	1.5	2.25	3.5	0.69	0.56
JCR411	5/16 x 4-1/4	1200	18.8	0.31	0.62	1.12	0.25	2.5	4.25	5.5	0.69	0.56
JCR412	3/8 x 2-1/2	1550	21.4	0.38	0.75	1.38	0.31	1.5	2.5	3.97	0.78	0.66
JCR413	3/8 x 4-1/2	1550	25.3	0.38	0.75	1.38	0.31	2.5	4.5	5.97	0.78	0.66
JCR414	1/2 x 3-1/4	2600	42.6	0.5	1	1.75	0.38	1.5	3.25	5.12	1	0.91
JCR415	1/2 x 6	2600	56.8	0.5	1	1.75	0.38	3	6	7.88	1	0.91
JCR416	5/8 x 4	5200	68.6	0.62	1.25	2.25	0.5	2	4	6.44	1.31	1.12
JCR417	5/8 x 6	5200	102.4	0.62	1.25	2.25	0.5	3	6	8.44	1.31	1.12
JCR418	3/4 x 4-1/2	7200	144.5	0.75	1.5	2.75	0.62	2	4.5	7.44	1.56	1.38
JCR419	3/4 x 6	7200	167.5	0.75	1.5	2.75	0.62	3	6	8.94	1.56	1.38
JCR420	7/8 x 5	10600	225	0.88	1.75	3.25	0.75	2.5	5	8.46	1.84	1.56
JCR421	1 x 6	13300	366.3	1	2	3.75	0.88	3	6	9.97	2.09	1.81
JCR422	1 x 9	13300	422.5	1	2	3.75	0.88	4	9	12.97	2.09	1.81
JCR423	1-1/4 x 8	21000	650	1.25	2.5	4.5	1	4	8	12.72	2.47	2.28
JCR424	1-1/4 x 12	21000	795	1.25	2.5	4.5	1	4	12	16.72	2.47	2.28
JCR425	1-1/2 x 15	24000	1425	1.5	3	5.5	1.25	6	15	20.75	3	2.75

US TYPE FORGED MACHINERY EYE BOLTS S279



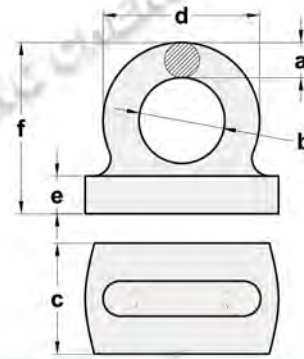
Item No.	Size (in.)	Working Load Limit (lbs.)	Weight Per 100 (lbs.)	Dimensions (in.)							
				A	B	C	D	E	F	G	H
JCR426	1/4 x 1	650	5	1/4-20	1.02	1.13	0.75	2.29	0.19	0.53	0.77
JCR427	5/16 x 1-1/8	1200	9	5/16-18	1.15	1.38	0.88	2.74	0.25	0.59	0.95
JCR428	3/8 x 1-1/4	1550	15	3/8-16	1.27	1.62	1	3.07	0.31	0.69	1.05
JCR429	1/2 x 1-1/2	2600	28	1/2-13	1.53	1.95	1.19	3.7	0.38	0.91	1.27
JCR430	5/8 x 1-3/4	5200	55	5/8-11	1.79	2.38	1.38	4.45	0.5	1.13	1.53
JCR431	3/4 x 2	7200	96	3/4-10	2.05	2.76	1.5	5.07	0.63	1.38	1.71
JCR432	7/8 x 2-1/4	10600	154	7/8-10	2.31	3.25	1.75	5.87	0.75	1.56	2
JCR433	1 x 2-1/2	13300	238	1-8	2.57	3.76	2	6.66	0.88	1.81	2.3
JCR434	1-1/8 x 2-3/4	15000	320	1-1/8-7	2.75	4.19	2.25	7.2	0.97	2.06	2.35
JCR435	1-1/4 x 3	21000	399	1-1/4-7	3.09	4.5	2.5	7.95	1	2.28	2.73
JCR436	1-1/2 x 3-1/2	24000	720	1-1/2-6	3.6	5.5	3	9.49	1.25	2.75	3.28
JCR437	1-3/4 x 3-3/4	34000	1040	1-3/4-5	3.75	6.26	3.5	10.48	1.38	3	3.6
JCR438	2 x 4	42000	1880	2-4-1/2	4	7.62	4	12.31	1.81	3.38	4.5
JCR439	2-1/2 x 5	65000	3250	2-1/2-4	5	8.76	4.5	14.88	2.12	4.25	5.5

US TYPE FORGED EYE NUTS G400



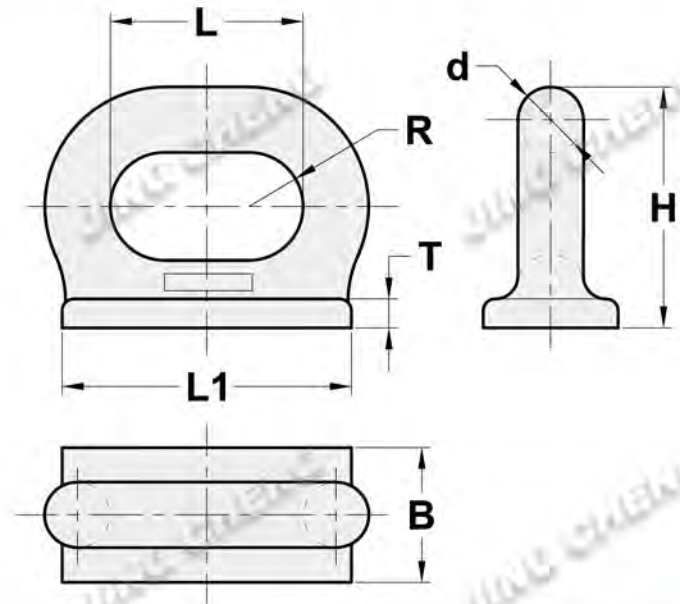
Item No.	Size (in.)	Working Load Limit (lbs.)	Weight Per 100 (lbs.)	Dimensions (in.)									
				A	C	D	E	F	J	K	N	T	W
JCR440	1/4	520	0.09	1.25	0.75	1	0.75	0.5	0.69	0.63	0.38	1.72	0.31
JCR441	3/8	1250	0.17	1.62	1	1.2	0.83	0.56	0.81	0.89	0.5	2.09	0.41
JCR442	1/2	2250	0.28	2	1.25	1.44	1.08	0.81	1	1.09	0.62	2.55	0.5
JCR443	5/8	3600	0.6	2.5	1.5	1.92	1.35	1	1.31	1.31	0.69	3.25	0.69
JCR444	3/4	5200	1	3	1.75	2.38	1.59	1.12	1.5	1.5	0.88	3.89	0.84
JCR445	7/8	7200	1.65	3.5	2	2.63	1.96	1.38	1.88	1.88	0.94	4.32	1
JCR446	1	10000	2.69	4	2.25	3.06	2.21	1.56	2.13	2.13	1.07	5.01	1.19
JCR447	1-1/4	15500	4.38	4.5	2.5	3.5	2.46	1.88	2.38	2.38	1.25	5.78	1.38
JCR448	1-3/8	18500	5	5	2.75	4	2.69	2	2.56	2.56	1.38	6.51	1.5
JCR449	1-1/2	22500	6.78	5.62	3.12	4.31	3.09	2.25	3	3	1.5	7.06	1.66
JCR450	2	40000	14.6	7.12	4.1	6.2	4.09	3.13	3.75	3.75	2.06	9.91	1.94

RECTANGULAR BASE EYE PLATES



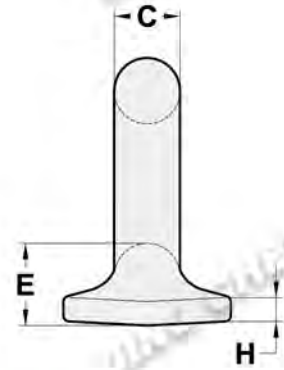
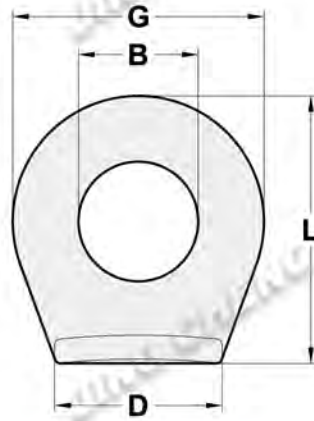
Item No.	Diameter Size a (in.)	Proof Load (t)	Weight Each (kg)	Dimensions (mm)					
				a	b	c	d	e	f
JCR451	3/8	2.00	0.14	10	20	25	45	5	38
JCR452	1/2	3.50	0.33	12	25	35	60	8	50
JCR453	5/8	5.50	0.53	16	32	45	70	10	64
JCR454	3/4	7.50	0.77	19	38	50	85	12	76
JCR455	7/8	9.60	1.27	22	42	60	102	13	89
JCR456	1	13.00	2.00	25	50	70	115	16	100
JCR457	1-1/8	15.75	2.90	28	57	76	130	18	114
JCR458	1-1/4	20.00	3.44	32	64	85	145	19	128
JCR459	1-3/8	23.63	5.11	35	70	95	159	21	140
JCR460	1-1/2	29.00	6.58	38	76	100	170	22	152
JCR461	1-3/4	39.00	9.99	44	88	120	200	26	178
JCR462	2	50.00	14.98	50	100	140	230	30	203

PAD EYES



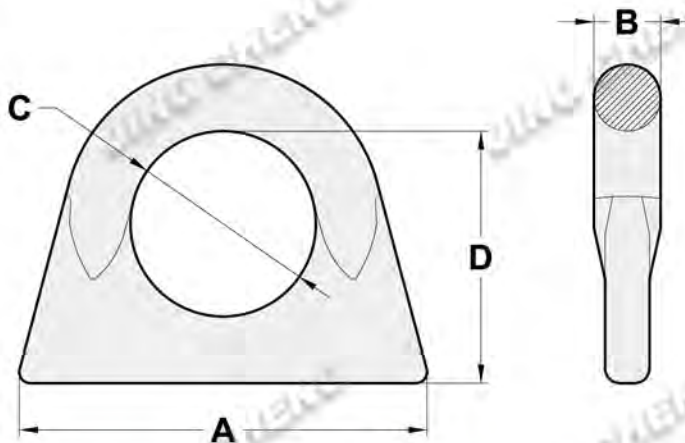
Item No.	Size	Safe Working Load (kn)	Breaking Load (kn)	Dimensions (mm)						
				L	d	T	L1	B	H	R
JCR463	D3.0	29.4	117.6	85	28	15	130	60	106	25
JCR464	D5.0	49	196	100	34	15	150	70	125	28
JCR465	D7.5	73.5	294	115	42	20	180	100	147	30
JCR466	D10.0	98	392	135	50	20	210	120	162	32

US TYPE PAD EYE S264



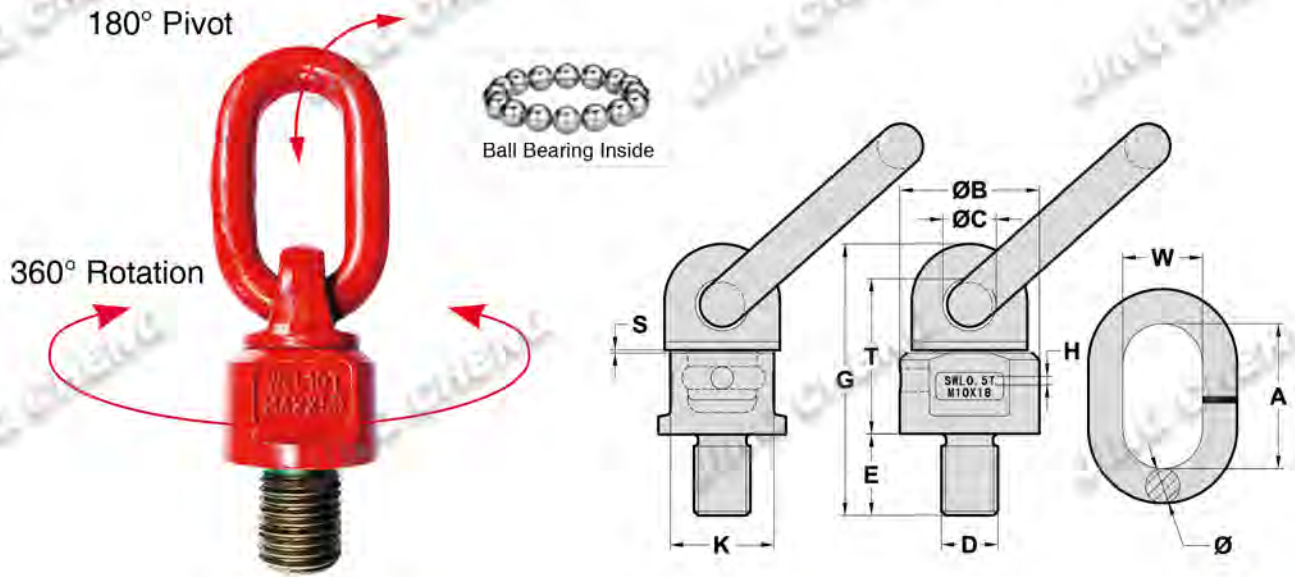
Item No.	Size	Weight Per 100 (lbs.)	Dimensions (in.)						
			B	C	D	E	G	H	L
JCR467	0	2.8	0.25	0.19	0.63	0.31	0.63	0.09	0.75
JCR468	1	6.5	0.38	0.25	0.88	0.41	0.88	0.13	1.03
JCR469	1-1/2	10.4	0.63	0.25	1	0.44	1.13	0.16	1.31
JCR470	2	21.1	0.75	0.38	1.06	0.5	1.5	0.19	1.63
JCR471	4	52.2	1	0.56	1.44	0.78	2.13	0.22	2.34
JCR472	5	82.5	1.25	0.69	1.75	0.81	2.63	0.25	2.75

EN13155 PAD EYES



Item No.	Size	Working Load Limit (t)	Minimum Breaking Limit (kN)	Weight Each (kg)	Dimensions (mm)				
					A	B	C	D	E
JCR473	0.2T	0.2	7.8	0.07	55	9	23	34	6
JCR474	0.5T	0.5	19.6	0.13	68	12	31	42	6
JCR475	1T	1	39.2	0.22	85	14	41	54	8
JCR476	2T	2	78.4	0.44	105	19	47	63	10
JCR477	4T	4	156.9	1.1	148	25	65	77	14

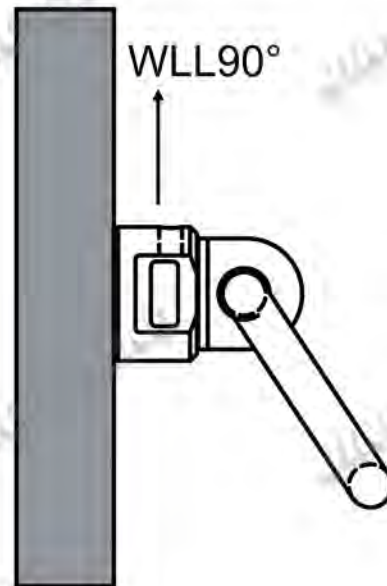
G80 LIFTING SCREW POINT



Item No.	Size	Weight (kg)	WLL(T) B.L(T)		Dimensions (mm)									
			90°	0°	DxE	B±1.5	C	G±1.5	T±1.5	A±5	W±5	Φ±2	K±1	S±0.8
JCR478	M8x13	0.45	0.3	0.6	M8x13	36	16.5	52	42.8	55	30	14	30	1
JCR479	M8x18	0.45	0.3	0.6	M8x18	36	16.5	52	42.8	55	30	14	30	1
JCR480	M8x20	0.45	0.3	0.6	M8x20	36	16.5	52	42.8	55	30	14	30	1
JCR481	M8x23	0.45	0.3	0.6	M8x23	36	16.5	52	42.8	55	30	14	30	1
JCR482	M8x30	0.45	0.3	0.6	M8x30	36	16.5	52	42.8	55	30	14	30	1
JCR483	M8x32	0.45	0.3	0.6	M8x32	36	16.5	52	42.8	55	30	14	30	1
JCR484	M8x43	0.46	0.3	0.6	M8x43	36	16.5	52	42.8	55	30	14	30	1
JCR485	M10x10	0.45	0.5	1	M10x10	36	16.5	52	42.8	55	30	14	30	1
JCR486	M10x15	0.45	0.5	1	M10x15	36	16.5	52	42.8	55	30	14	30	1
JCR487	M10x18	0.45	0.5	1	M10x18	36	16.5	52	42.8	55	30	14	30	1
JCR488	M10x20	0.45	0.5	1	M10x20	36	16.5	52	42.8	55	30	14	30	1
JCR489	M10x25	0.45	0.5	1	M10x25	36	16.5	52	42.8	55	30	14	30	1
JCR490	M10x27	0.46	0.5	1	M10x27	36	16.5	52	42.8	55	30	14	30	1
JCR491	M10x30	0.46	0.5	1	M10x30	36	16.5	52	42.8	55	30	14	30	1
JCR492	M10x40	0.46	0.5	1	M10x40	36	16.5	52	42.8	55	30	14	30	1
JCR493	M10x50	0.47	0.5	1	M10x50	36	16.5	52	42.8	55	30	14	30	1
JCR494	M10x90	0.50	0.5	1	M10x90	36	16.5	52	42.8	55	30	14	30	1
JCR495	M12x18	0.46	0.5	1	M12x18	36	16.5	52	42.8	55	30	14	30	1
JCR496	M12x20	0.46	0.5	1	M12x20	36	16.5	52	42.8	55	30	14	30	1
JCR497	M12x27	0.46	0.5	1	M12x27	36	16.5	52	42.8	55	30	14	30	1
JCR498	M12x30	0.47	0.5	1	M12x30	36	16.5	52	42.8	55	30	14	30	1
JCR499	M12x31	0.47	0.5	1	M12x31	36	16.5	52	42.8	55	30	14	30	1
JCR500	M12x35	0.47	0.5	1	M12x35	36	16.5	52	42.8	55	30	14	30	1
JCR501	M12x40	0.47	0.5	1	M12x40	36	16.5	52	42.8	55	30	14	30	1
JCR502	M12x45	0.48	0.5	1	M12x45	36	16.5	52	42.8	55	30	14	30	1
JCR503	M12x48	0.48	0.5	1	M12x48	36	16.5	52	42.8	55	30	14	30	1
JCR504	M12x110	0.54	0.5	1	M12x110	36	16.5	52	42.8	55	30	14	30	1
JCR505	M14x20	0.49	1.12	2	M14x20	36	16.5	52	42.8	55	30	14	30	1
JCR506	M16x20	0.47	1.12	2	M16x20	36	16.5	52	42.8	55	30	14	30	1
JCR507	M16x24	0.48	1.12	2	M16x24	36	16.5	52	42.8	55	30	14	30	1
JCR508	M16x27	0.49	1.12	2	M16x27	36	16.5	52	42.8	55	30	14	30	1

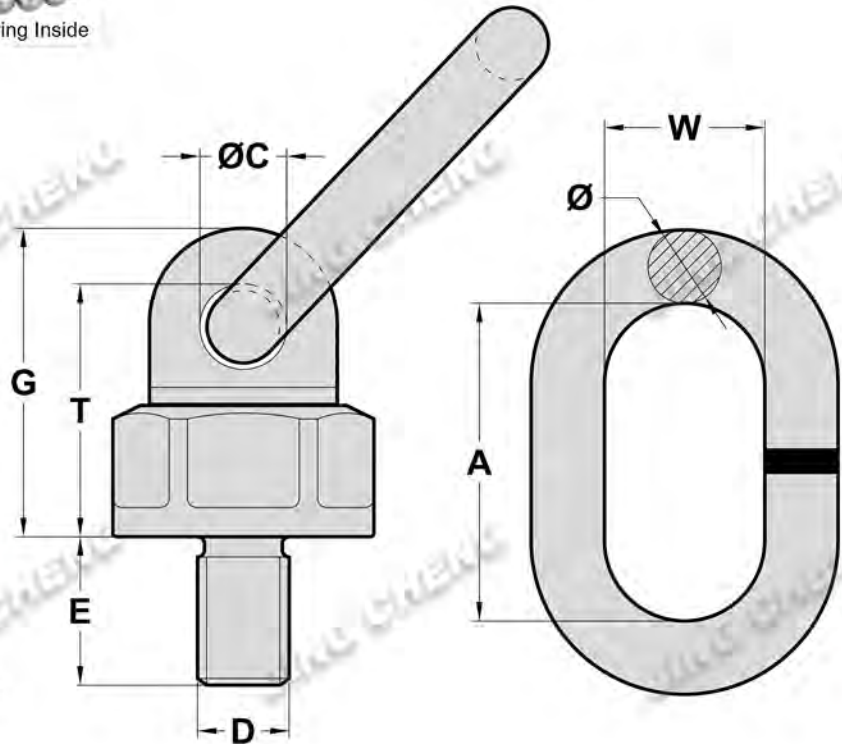
Item No.	Size	Weight (kg)	WLL(T) B.L(T)		Dimensions (mm)									
			90°	0°	DxE	B±1.5	C	G±1.5	T±1.5	A±5	W±5	Φ±2	K±1	S±0.8
JCR509	M16x30	0.49	1.12	2	M16x30	36	16.5	52	42.8	55	30	14	30	1
JCR510	M16x35	0.49	1.12	2	M16x35	36	16.5	52	42.8	55	30	14	30	1
JCR511	M16x40	0.50	1.12	2	M16x40	36	16.5	52	42.8	55	30	14	30	1
JCR512	M16x46	0.51	1.12	2	M16x46	36	16.5	52	42.8	55	30	14	30	1
JCR513	M16x50	0.52	1.12	2	M16x50	36	16.5	52	42.8	55	30	14	30	1
JCR514	M16x64	0.54	1.12	2	M16x64	36	16.5	52	42.8	55	30	14	30	1
JCR515	M16x80	0.57	1.12	2	M16x80	36	16.5	52	42.8	55	30	14	30	1
JCR516	M16x100	0.60	1.12	2	M16x100	36	16.5	52	42.8	55	30	14	30	1
JCR517	M16x120	0.63	1.12	2	M16x120	36	16.5	52	42.8	55	30	14	30	1
JCR518	M16x300	0.91	1.12	2	M16x300	36	16.5	52	42.8	55	30	14	30	1
JCR519	M18x30	0.95	2	4	M18x30	49.5	19	69	57	70	35	16	41	1
JCR520	M20x20	0.97	2	4	M20x20	49.5	19	69	57	70	35	16	41	1
JCR521	M20x30	0.99	2	4	M20x30	49.5	19	69	57	70	35	16	41	1
JCR522	M20x35	1.01	2	4	M20x35	49.5	19	69	57	70	35	16	41	1
JCR523	M20x40	1.02	2	4	M20x40	49.5	19	69	57	70	35	16	41	1
JCR524	M20x43	1.02	2	4	M20x43	49.5	19	69	57	70	35	16	41	1
JCR525	M20x50	1.04	2	4	M20x50	49.5	19	69	57	70	35	16	41	1
JCR526	M20x55	1.05	2	4	M20x55	49.5	19	69	57	70	35	16	41	1
JCR527	M20x75	1.10	2	4	M20x75	49.5	19	69	57	70	35	16	41	1
JCR528	M20x80	1.12	2	4	M20x80	49.5	19	69	57	70	35	16	41	1
JCR529	M20x120	1.21	2	4	M20x120	49.5	19	69	57	70	35	16	41	1
JCR530	M24x30	1.33	3.15	6.3	M24x30	57	22	79.5	67	85	40	18	46	1.5
JCR531	M24x36	1.35	3.15	6.3	M24x36	57	22	79.5	67	85	40	18	46	1.5
JCR532	M24x38	1.36	3.15	6.3	M24x38	57	22	79.5	67	85	40	18	46	1.5
JCR533	M24x40	1.36	3.15	6.3	M24x40	57	22	79.5	67	85	40	18	46	1.5
JCR534	M24x45	1.38	3.15	6.3	M24x45	57	22	79.5	67	85	40	18	46	1.5
JCR535	M24x50	1.4	3.15	6.3	M24x50	57	22	79.5	67	85	40	18	46	1.5
JCR536	M24x73	1.48	3.15	6.3	M24x73	57	22	79.5	67	85	40	18	46	1.5
JCR537	M24x90	1.54	3.15	6.3	M24x90	57	22	79.5	67	85	40	18	46	1.5
JCR538	M24x96	1.56	3.15	6.3	M24x96	57	22	79.5	67	85	40	18	46	1.5
JCR539	M24x120	1.65	3.15	6.3	M24x120	57	22	79.5	67	85	40	18	46	1.5
JCR540	M24x300	2.29	3.15	6.3	M24x300	57	22	79.5	67	85	40	18	46	1.5
JCR541	M27x35	1.47	3.15	6.3	M27x35	57	22	79.5	67	85	40	18	46	1.5
JCR542	M30x35	2.3	5.3	10.6	M30x35	66	23.5	98	82	85	40	20	54	1.5
JCR543	M30x38	2.32	5.3	10.6	M30x38	66	23.5	98	82	85	40	20	54	1.5
JCR544	M30x45	2.36	5.3	10.6	M30x45	66	23.5	98	82	85	40	20	54	1.5
JCR545	M30x60	2.49	5.3	10.6	M30x60	66	23.5	98	82	85	40	20	54	1.5
JCR546	M30x75	2.53	5.3	10.6	M30x75	66	23.5	98	82	85	40	20	54	1.5
JCR547	M30x120	2.78	5.3	10.6	M30x120	66	23.5	98	82	85	40	20	54	1.5
JCR548	M30x160	3	5.3	10.6	M30x160	66	23.5	98	82	85	40	20	54	1.5
JCR549	M30x35	3.73	8	11.8	M30x35	80	28	114	94	115	50	22	64	2
JCR550	M30x38	3.75	8	11.8	M30x38	80	28	114	94	115	50	22	64	2
JCR551	M30x45	3.79	8	11.8	M30x45	80	28	114	94	115	50	22	64	2
JCR552	M30x50	3.82	8	11.8	M30x50	80	28	114	94	115	50	22	64	2
JCR553	M30x55	3.84	8	11.8	M30x55	80	28	114	94	115	50	22	64	2
JCR554	M30x98	4.08	8	11.8	M30x98	80	28	114	94	115	50	22	64	2
JCR555	M30x120	4.21	8	11.8	M30x120	80	28	114	94	115	50	22	64	2
JCR556	M30x140	4.32	8	11.8	M30x140	80	28	114	94	115	50	22	64	2
JCR557	M36x50	3.88	8	11.8	M36x50	80	28	111	92	115	50	22	65	2
JCR558	M36x53	3.9	8	11.8	M36x53	80	28	111	92	115	50	22	65	2

Item No.	Size	Weight (kg)	WLL(T) B.L(T)		Dimensions (mm)									
			90°	0°	DxE	B±1.5	C	G±1.5	T±1.5	A±5	W±5	Φ±2	K±1	S±0.8
JCR559	M36x60	3.96	8	11.8	M36x60	80	28	111	92	115	50	22	65	2
JCR560	M36x90	4.2	8	11.8	M36x90	80	28	111	92	115	50	22	65	2
JCR561	M36x128	4.5	8	11.8	M36x128	80	28	111	92	115	50	22	65	2
JCR562	M36x140	4.6	8	11.8	M36x140	80	28	111	92	115	50	22	65	2
JCR563	M36x160	4.76	8	11.8	M36x160	80	28	111	92	115	50	22	65	2
JCR564	M36x220	5.24	8	11.8	M36x220	80	28	111	92	115	50	22	65	2
JCR565	M36x300	5.88	8	11.8	M36x300	80	28	111	92	115	50	22	65	2
JCR566	M36x330	6.12	8	11.8	M36x330	80	28	111	92	115	50	22	65	2
JCR567	M36x400	6.67	8	11.8	M36x400	80	28	111	92	115	50	22	65	2
JCR568	M39x50	3.95	8	11.8	M39x50	80	28	111	92	115	50	22	65	2
JCR569	M39x60	4.04	8	11.8	M39x60	80	28	111	92	115	50	22	65	2
JCR570	M39x90	4.32	8	11.8	M39x90	80	28	111	92	115	50	22	65	2
JCR571	M42x50	4.46	10	15	M42x50	80	28	111	92	115	50	25	65	2.5
JCR572	M42x60	4.57	10	15	M42x60	80	28	111	92	115	50	25	65	2.5
JCR573	M42x63	4.6	10	15	M42x63	80	28	111	92	115	50	25	65	2.5
JCR574	M42x130	5.33	10	15	M42x130	80	28	111	92	115	50	25	65	2.5
JCR575	M42x160	5.66	10	15	M42x160	80	28	111	92	115	50	25	65	2.5
JCR576	M42x180	5.87	10	15	M42x180	80	28	111	92	115	50	25	65	2.5
JCR577	M45x60	4.7	10	15	M45x60	80	28	111	92	115	50	25	65	2.5
JCR578	M48x50	4.63	10	15	M48x50	80	28	111	92	115	50	25	65	2.5
JCR579	M48x60	4.77	10	15	M48x60	80	28	111	92	115	50	25	65	2.5
JCR580	M48x70	4.91	10	15	M48x70	80	28	111	92	115	50	25	65	2.5
JCR581	M48x72	4.94	10	15	M48x72	80	28	111	92	115	50	25	65	2.5
JCR582	M48x110	5.48	10	15	M48x110	80	28	111	92	115	50	25	65	2.5
JCR583	M48x160	6.19	10	15	M48x160	80	28	111	92	115	50	25	65	2.5
JCR584	M48x245	7.39	10	15	M48x245	80	28	111	92	115	50	25	65	2.5
JCR585	M56x84	11.8	15	25	M56x84	117	42	166	134	152	70	32	95	2.5
JCR586	M64x95	12.5	15	25	M64x95	117	42	166	134	152	70	32	95	2.5



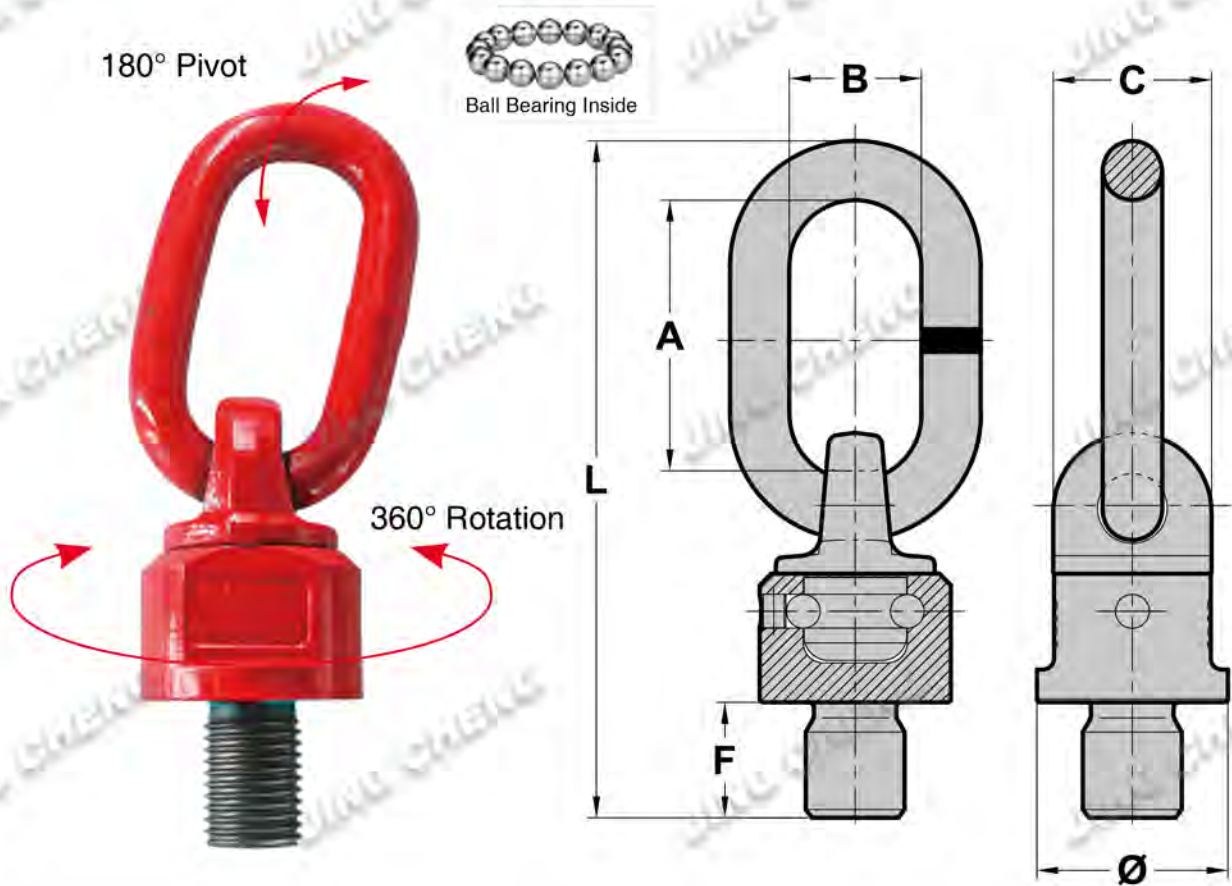
- WLL ant 0° and WLL 90°
- Ultimate Load at 4 Times the Working Load Limit

G80 LIFTING SCREW POINT



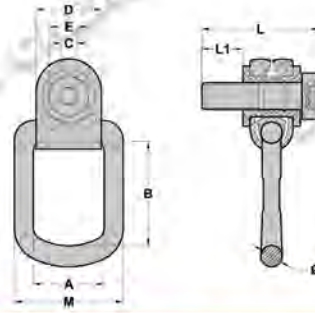
Item No.	Size	Weight (kg)	WLL(T)		Dimensions (mm)						
			90°	0°	D x E	C ± 2	G ± 1	T ± 2	A ± 5	W ± 5	Φ ± 1.5
JCR587	M8x13	0.54	0.3	0.6	M8x13	16.5	53	42	55	30	14
JCR588	M10x18	0.54	0.45	0.9	M10x18	16.5	53	42	55	30	14
JCR589	M12x20	0.55	0.5	1	M12x20	16.5	53	42	55	30	14
JCR590	M14x20	0.55	1.12	2	M14x20	16.5	53	42	55	30	14
JCR591	M16x25	0.57	1.12	2	M16x25	16.5	53	42	55	30	14
JCR592	M20x33	1.11	2	4	M20x33	19	68	56	70	35	16
JCR593	M24x40	1.70	3.15	6.3	M24x40	22	78	65.5	85	40	18
JCR594	M27x40	1.70	3.15	6.3	M27x40	22	78	65.5	85	40	18
JCR595	M30x50	2.55	5.3	10.6	M30x50	23.5	97	81	115	40	20
JCR596	M30x50	3.90	8	11.8	M30x50	28	113	93	115	50	22
JCR597	M36x54	3.90	8	11.8	M36x54	28	110	90	115	50	22
JCR598	M39x54	4.00	8	11.8	M39x54	28	110	90	115	50	22
JCR599	M42x63	4.54	10	15	M42x63	28	110	90	115	50	25
JCR600	M48x68	4.82	10	15	M48x68	28	110	90	115	50	25
JCR601	M56x84	12.00	15	30	M56x84	42	165	133	152	70	32
JCR602	M64x95	12.75	15	30	M64x95	42	165	133	152	70	32

G80 UNIVERSAL REVOLVING RING



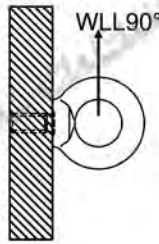
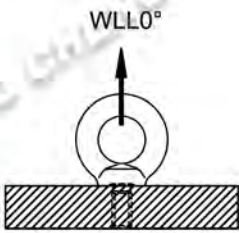
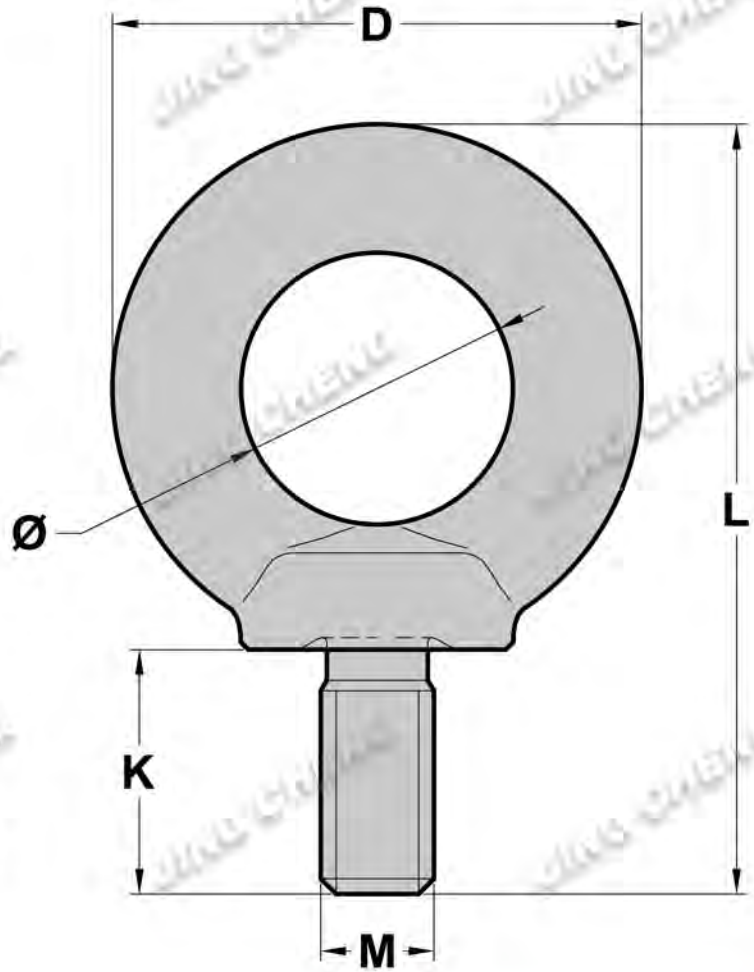
Item No.	Size	Weight (kg)	WLL (T)	B.L (T)	Dimensions (mm)					
					A ± 3	B ± 3	C ± 2	Φ ± 1	L ± 4	F
JCR603	M8x18	0.57	0.3	1.2	55	30	32.5	38	137	18
JCR604	M8x22	0.57	0.3	1.2	55	30	32.5	38	141	22
JCR605	M10x18	0.57	0.3	1.2	55	30	32.5	38	137	18
JCR606	M12x18	0.58	0.5	2	55	30	32.5	38	137	18
JCR607	M12x25	0.58	0.5	2	55	30	32.5	38	144	25
JCR608	M14x20	0.58	0.5	2	55	30	32.5	38	139	20
JCR609	M16x20	0.59	1.12	4.48	55	30	32.5	38	139	20
JCR610	M16x30	0.61	1.12	4.48	55	30	32.5	38	149	30
JCR611	M20x30	1.21	2	8	70	35	42.5	50	177	30
JCR612	M20x40	1.23	2	8	70	35	42.5	50	187	40
JCR613	M20x50	1.255	2	8	70	35	42.5	50	197	50
JCR614	M20x70	1.305	2	8	70	35	42.5	50	217	70
JCR615	M24x30	0.63	1.12	4.48	55	30	32.5	38	149	30
JCR616	M24x30	1.731	3.15	12.6	85	40	48	58	201	30
JCR617	M24x45	1.785	3.15	12.6	85	40	48	58	216	45
JCR618	M24x50	1.802	3.15	12.6	85	40	48	58	221	50
JCR619	M30x35	1.82	3.15	12.6	85	40	48	58	206	35
JCR620	M30x35	3.67	5.3	21.2	80	50	68	75	196	35
JCR621	M30x45	3.72	5.3	21.2	80	50	68	75	206	45
JCR622	M30x35	5.1	8	32	115	50	78	84	248	35
JCR623	M30x45	5.11	8	32	115	50	78	84	258	45
JCR624	M36x54	5.3	8	32	115	50	78	84	267	54

G80 PIVOTIG LIFTING SCREW



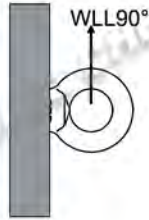
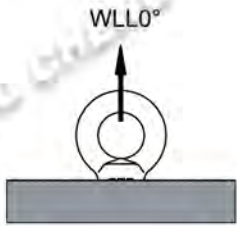
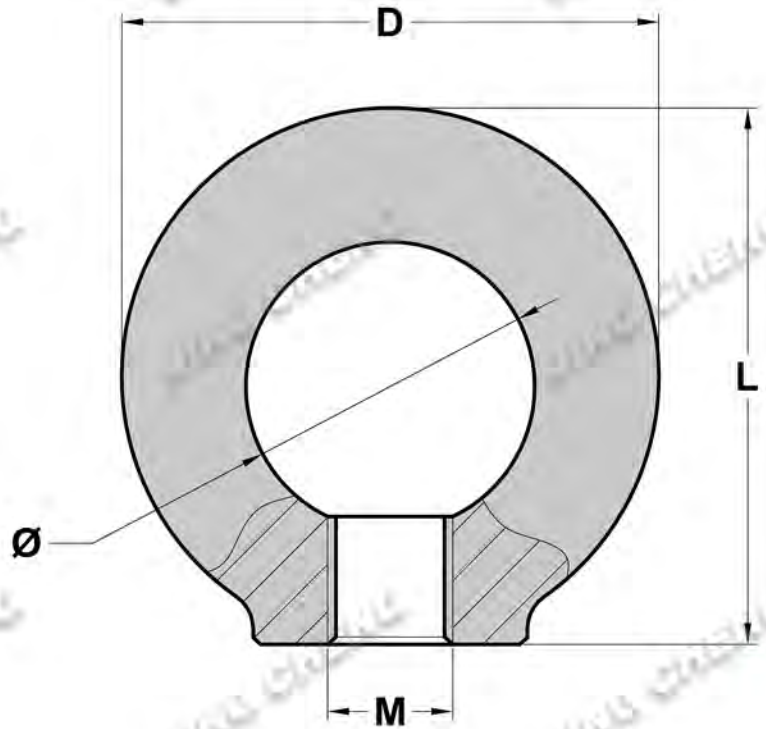
Item No.	Size	Weight (kg)	WLL (T)	B.L (T)	Dimensions (mm)								
					A±1	B±1	C	D	E	M±1.5	L±1.5	L1±1.5	Φ±1.5
JCR625	M8	0.36	0.3	1.2	35	52.5	6	30	13	45	46	10.4	14
JCR626	M8x76	0.39	0.3	1.2	35	52.5	6	30	13	45	46	76	14
JCR627	M10	0.38	0.63	2.52	35	52.5	6	30	17	45	52	16	14
JCR628	M10x96	0.43	0.63	2.52	35	52.5	6	30	17	45	52	96	14
JCR629	M12	0.71	1	4	40	54	8	36	19	68	158	18	18
JCR630	M12x114	0.80	1	4	40	54	8	36	19	68	66	114	18
JCR631	M14	0.72	1.2	4.8	40	54	8	36	19	68	185	21	18
JCR632	M14x140	0.86	1.2	4.8	40	54	10	36	22	68	70	140	18
JCR633	M16	0.74	1.5	6	40	54	8	36	19	68	70	24	18
JCR634	M16x30	0.74	1.5	6	40	54	8	36	19	68	70	30	18
JCR635	M16x40	0.75	1.5	6	40	54	8	36	19	68	146	40	18
JCR636	M16x100	0.85	1.5	6	40	54	10	36	24	68	195	100	18
JCR637	M16x149	0.92	1.5	6	40	54	10	36	24	68	240	149	18
JCR638	M16x194	0.99	1.5	6	40	54	10	36	24	68	240	194	18
JCR639	M18x26	1.16	2	8	54	80	12	50	30	83	83	26	16
JCR640	M18x180	1.47	2	8	54	80	12	50	30	83	237	180	16
JCR641	M20	1.19	2.5	10	54	80	12	50	30	83	88	30	16
JCR642	M20x55	1.21	2.5	10	54	80	12	50	30	83	113	55	16
JCR643	M20x60	1.25	2.5	10	54	80	12	50	30	83	118	60	16
JCR644	M20x100	1.57	2.5	10	54	80	12	50	30	83	156	100	16
JCR645	M20x187	2.27	2.5	10	54	80	12	50	30	83	118	187	16
JCR646	M24x35	1.35	4	16	54	94	14	50	36	83	95	35	18
JCR647	M24x40	1.38	4	16	54	94	14	50	36	83	100	40	18
JCR648	M24x60	1.46	4	16	54	94	14	50	36	83	120	60	18
JCR649	M24x80	1.54	4	16	54	94	14	50	36	83	138	80	18
JCR650	M24x100	1.62	4	16	54	94	14	50	36	83	158	100	18
JCR651	M24x222	2.11	4	16	54	94	14	50	36	83	120	222	18
JCR652	M27	4.18	4	16	73	106	17	73	41	120	120	38	27
JCR653	M27x270	5.22	4	16	73	106	17	73	41	120	352	270	27
JCR654	M30	4.40	5	20	73	106	17	73	41	120	132	48	27
JCR655	M30x70	4.19	5	20	73	106	17	73	41	120	154	70	27
JCR656	M30x279	5.35	5	20	73	106	17	73	41	120	154	279	27
JCR657	M36x54	4.65	7	28	73	106	17	73	41	120	142	54	27
JCR658	M36x62	7.60	8	32	94	140.5	22	94	55	156	163	62	21
JCR659	M36x70	4.80	7	28	73	106	17	73	41	120	158	70	27
JCR660	M36x223	8.94	8	32	94	140.5	22	94	55	156	324	223	31
JCR661	M42	8.20	10	40	94	140.5	24	94	65	156	176	72	31
JCR662	M42x63	12.40	15	60	104	155	24	104	65	176	179	63	40
JCR663	M42x263	14.60	15	60	104	155	24	104	65	176	379	263	40
JCR664	M48x74	13.00	20	80	104	155	27	104	75	176	194	74	40
JCR665	M48x295	16.10	20	80	104	155	27	104	75	176	194	295	40

G80 EYE SCREW



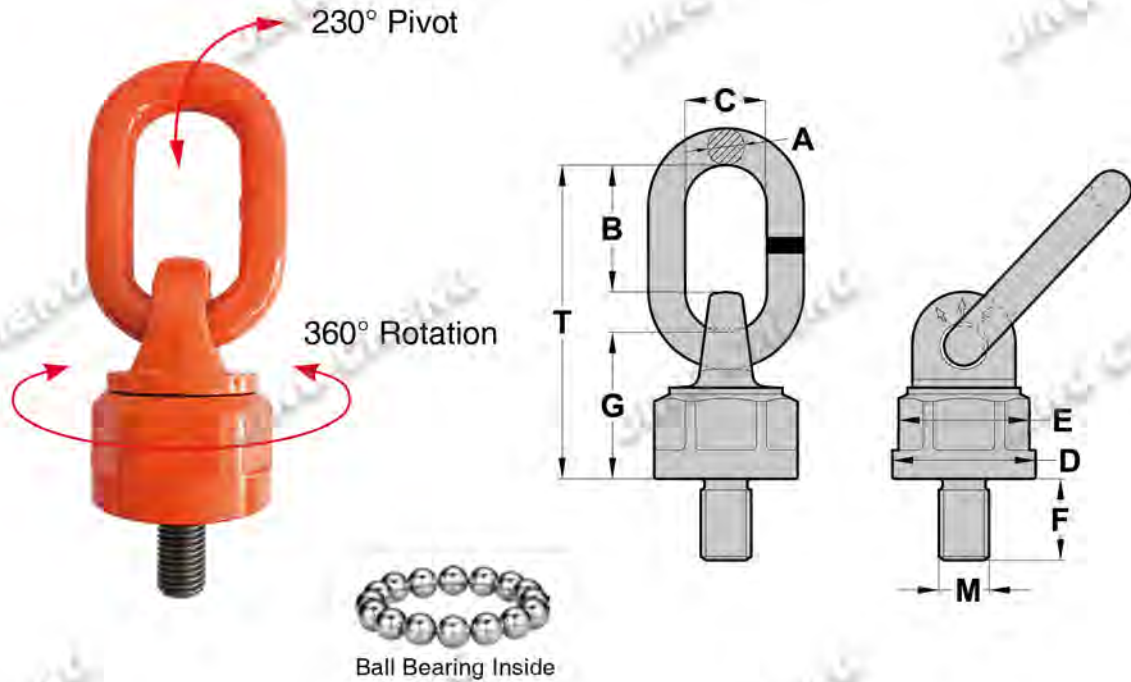
Item No.	Size	Weight (kg)	WLL(T)		Dimensions (mm)			
			0°	90°	D	K	Ø	L
JCR666	M6	0.05	0.4	0.15	28	13	16	42
JCR667	M8	0.06	0.8	0.4	36	15	20	51
JCR668	M10	0.11	1	0.4	45	18	25	63
JCR669	M12	0.18	2	0.75	54	22	30	75
JCR670	M14	0.28	3	1	63	28	35	89.5
JCR671	M16	0.29	4	1.5	63	28	35	90
JCR672	M18	0.42	5	2	72	30	40	101
JCR673	M20	0.45	6	2.3	72	30	40	101
JCR674	M22	0.67	7	2.8	81	34.5	45	115.5
JCR675	M24	0.87	8	3.2	90	38	50	128
JCR676	M27	0.88	10	4	90	38	60	128
JCR677	M30	1.66	12	4.5	108	45	60	154
JCR678	M33	1.72	14	5	108	45	60	154
JCR679	M36	2.65	16	7	126	55	70	183
JCR680	M39	2.80	20	8	126	55	70	183
JCR681	M42	4.03	24	9	144	65	80	212
JCR682	M45	4.25	28	10	144	65	80	212
JCR683	M48	6.38	32	12	166	70	90	238
JCR684	M52	6.60	36	13.5	166.5	70	90	238
JCR685	M56	8.80	40	15	184	80	100	267
JCR686	M64	12.40	50	17	206	90	110	293

G80 EYE NUT



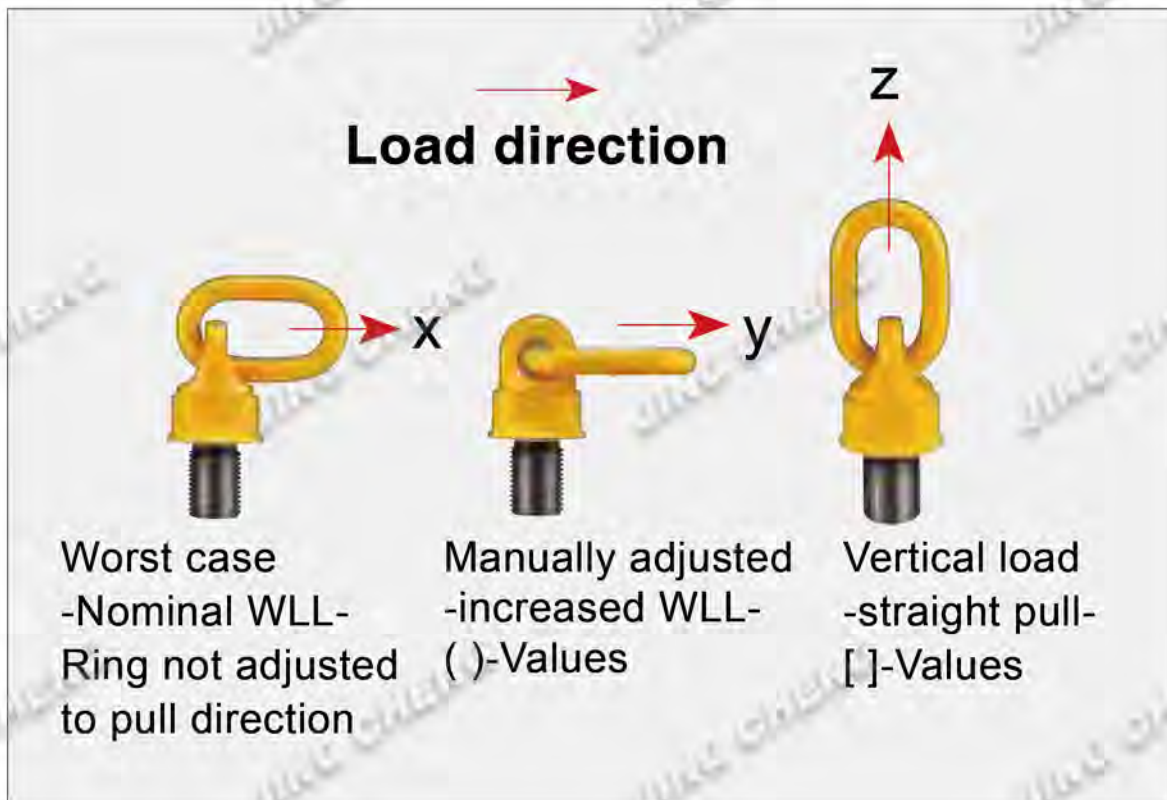
Item No.	Size	Weight (kg)	WLL(T) (4:1)		Dimensions (mm)		
			0°	90°	D	Ø	L
JCR687	M6	0.05	0.4	0.15	36	20	36
JCR688	M8	0.05	0.8	0.4	36	20	36
JCR689	M10	0.09	1	0.4	45	25	45
JCR690	M12	0.16	2	0.75	54	30	53
JCR691	M14	0.24	3	1	63	35	62
JCR692	M16	0.24	4	1.5	63	35	62
JCR693	M18	0.34	5	2	72	40	71
JCR694	M20	0.36	6	2.3	72	40	71
JCR695	M22	0.58	7	2.8	81	45	81
JCR696	M24	0.72	8	3.2	90	50	90
JCR697	M27	0.72	10	4	90	50	90
JCR698	M30	1.32	12	4.5	108	60	109
JCR699	M33	1.29	14	5	108	60	109
JCR700	M36	2.10	16	7	126	70	128
JCR701	M39	2.09	20	8	126	70	128
JCR702	M42	3.11	24	9	144	80	147
JCR703	M45	3.05	28	10	144	80	147
JCR704	M48	5.02	32	12	166	90	168
JCR705	M52	4.94	36	13.5	166	90	168
JCR706	M56	6.69	40	15	184	100	187
JCR707	M64	9.30	50	17	206	110	208

G80 SWIVEL HOIST RING

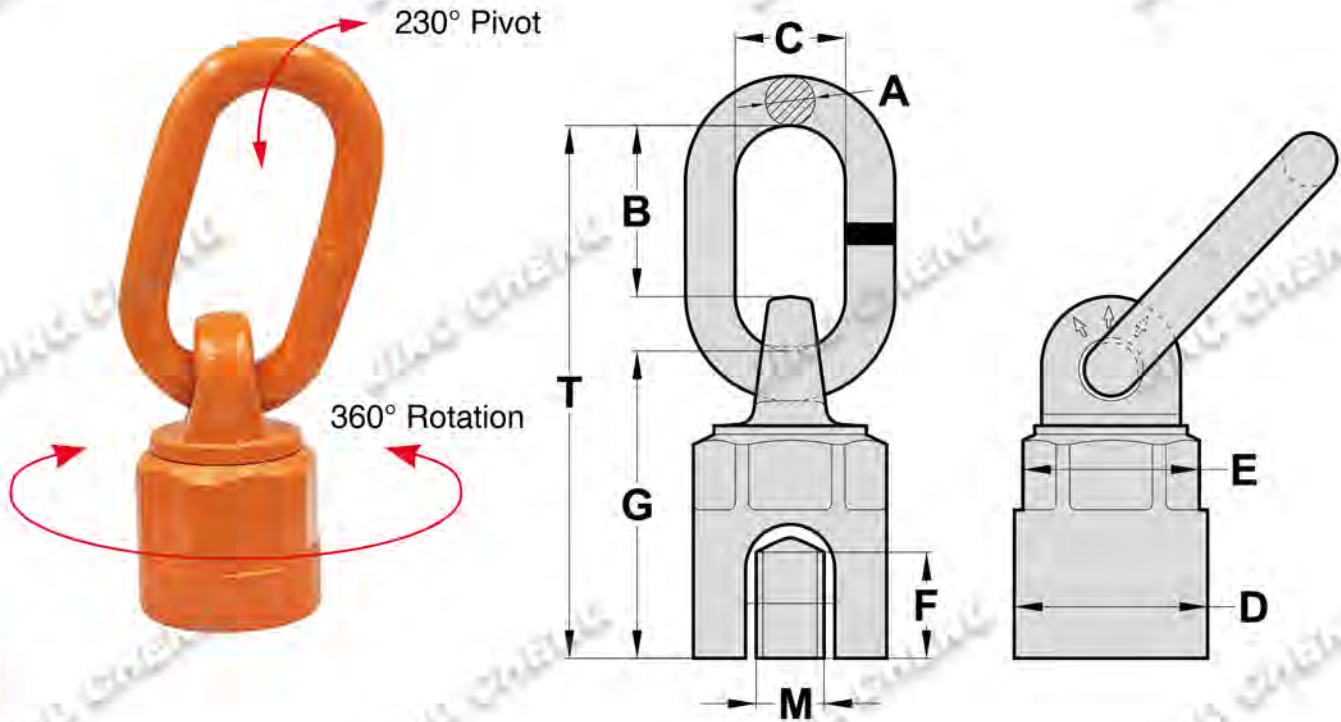


Item No.	Size	Weight (kg)	WLL (t)	Thread (M)	Dimensions (mm)							
					F	A	B	C	D	E	G	T
JCR708	M8	0.44	0.4	M8x1.25-6g	12	12	44	30	40	37	46	98
JCR709	M10	0.45	0.6	M10x1.5-6g	19	12	44	30	40	37	46	98
JCR710	M12-S	0.45	0.7	M12x1.75-6g	19	12	44	30	40	37	46	98
JCR711	M14	0.45	1.25	M14x2.0-6g	31.8	12	44	30	40	37	46	98
JCR712	M16-S	0.48	1.5	M16x2.0-6g	31.8	12	44	30	40	37	46	98
JCR713	M12-B	1.15	1.05	M12x1.75-6g	19	16	56.5	34	59	54.5	64.5	134.5
JCR714	M16-B	1.35	1.9	M16x2.0-6g	30	16	56.5	34	59	54.5	64.5	134.5
JCR715	M18-S	1.35	1.9	M18x2.5-6g	30	16	56.5	34	59	54.5	64.5	134.5
JCR716	M20-S	1.4	2	M20x2.5-6g	30	16	56.5	34	59	54.5	64.5	134.5
JCR717	M22-S	1.4	2	M22x2.5-6g	30	16	56.5	34	59	54.5	64.5	134.5
JCR718	M24-S	1.4	3.15	M24x3.0-6g	30	16	56.5	34	59	54.5	64.5	134.5
JCR719	M18-B	2.3	2	M18x2.5-6g	38.1	20	67	40	70	64.3	76	160
JCR720	M20-B	2.3	2.5	M20x2.5-6g	38.1	20	67	40	70	64.3	76	160
JCR721	M22-B	2.35	2.5	M22x2.5-6g	38.1	20	67	40	70	64.3	76	160
JCR722	M24-B	2.35	4	M24x3.0-6g	38.1	20	67	40	70	64.3	76	160
JCR723	M27	2.35	4	M27x3.0-6g	38.1	20	67	40	70	64.3	76	160
JCR724	M30	3.75	6	M30x3.5-6g	50	22	95	51	79	74	91	206
JCR725	M33	3.8	7.5	M33x3.5-6g	50	22	95	51	79	74	91	206
JCR726	M36	3.9	10	M36x4.0-6g	54	22	95	51	79	74	91	206
JCR727	M39	4	10	M39x4.0-6g	58	22	95	51	79	74	91	206
JCR728	M42	5.9	13	M42x4.5-6g	63	26	108	65	93	85	100.5	230.5
JCR729	M45	6	13	M45x4.5-6g	68	26	108	65	93	85	100.5	230.5
JCR730	M48	6.15	14	M48x5.0-6g	68	26	108	65	93	85	100.5	230.5
JCR731	M52	10	20	M52x5.0-6g	84	32	120	70	105	95	132	278
JCR732	M56	10	20	M56x5.5-6g	84	32	120	70	105	95	132	278
JCR733	M60	10.5	20	M60x5.5-6g	90	32	120	70	105	95	132	278
JCR734	M64	10.7	20	M64x6.0-6g	95	32	120	70	105	95	132	278

Item No.	Size	Weight (kg)	WLL (t)	Thread (M)	Dimensions (mm)							
					F	A	B	C	D	E	G	T
JCR735	M72-3	23	25	M72x6.0-6g	108	40	125	80	158	142	174	339
JCR736	M80-3	24	30	M80x6.0-6g	120	40	125	80	158	142	174	339
JCR737	M90-S	26	35	M90x6.0-6g	135	40	125	80	158	142	174	339
JCR738	M100-S	26	35	M100x6.0-6g	135	40	125	80	158	142	174	339
JCR739	M72-B	34	28	M72x6.0-6g	108	48	136.5	90	169	155	172.5	357.5
JCR740	M80-B	35.5	35	M80x6.0-6g	120	48	136.5	90	169	155	172.5	357.5
JCR741	M90-B	37.5	40	M90x6.0-6g	135	48	136.5	90	169	155	172.5	357.5
JCR742	M100-B	39	40	M100x6.0-6g	135	48	136.5	90	169	155	172.5	357.5
JCR743	M110	41	50	M110x6.0-6g	135	48	136.5	90	169	155	172.5	357.5
JCR744	M120	43	50	M120x6.0-6g	135	48	136.5	90	169	155	172.5	357.5
JCR745	M130	45	50	M130x6.0-6g	135	48	136.5	90	198	155	172.5	357.5
JCR746	M140	47	50	M140x6.0-6g	135	48	136.5	90	198	155	172.5	357.5
JCR747	M150	49.5	50	M150x6.0-6g	135	48	136.5	90	198	155	172.5	357.5

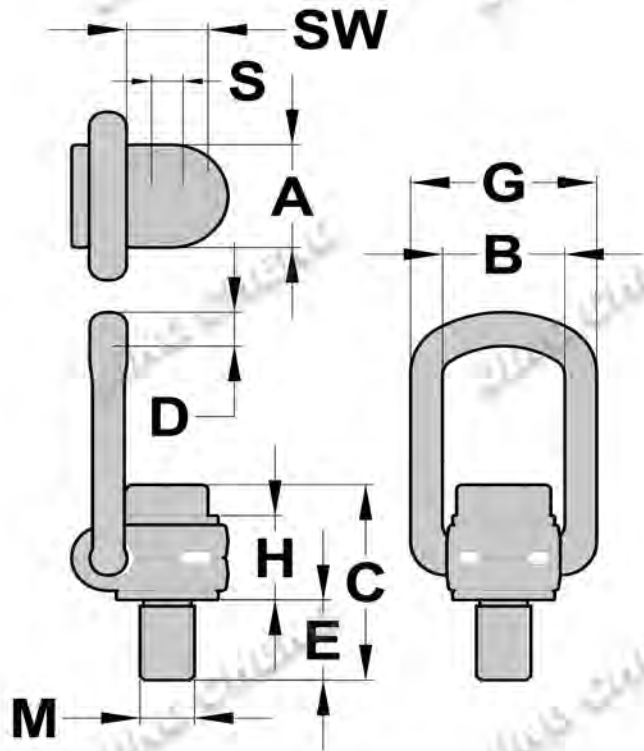


G80 SWIVEL HOIST RING (NUT)



Item No.	Size	Weight (kg)	WLL (t)	Thread (M)	Dimensions (mm)							
					F	A	B	C	D	E	G	T
JCR748	M8	0.5	0.4	M8x1.25-6H	15	12	44	30	40	37	68	120
JCR749	M10	0.5	0.6	M10x1.5-6H	15	12	44	30	40	37	68	120
JCR750	M12	0.5	0.7	M12x1.75-6H	15	12	44	30	40	37	68	120
JCR751	M14	0.5	1.25	M14x2.0-6H	20	12	44	30	40	37	74	126
JCR752	M16	0.5	1.5	M16x2.0-6H	20	20	44	30	40	37	74	126
JCR753	M18	2.5	2	M18x2.5-6H	25	20	67	40	70	64.3	111	195
JCR754	M20	2.5	2.5	M20x2.5-6H	25	20	67	40	70	64.3	111	195
JCR755	M22	2.5	2.5	M22x2.5-6H	25	20	67	40	70	64.3	111	195
JCR756	M24	2.5	4	M24x3.0-6H	30	20	67	40	70	64.3	114	198
JCR757	M30	4	6	M30x3.0-6H	40	22	95	51	79	74	144	259
JCR758	M33	4	7.5	M33x3.5-6H	40	22	95	51	79	74	144	259
JCR759	M36	4	10	M36x3.5-6H	45	22	95	51	79	74	144	259
JCR760	M39	4	10	M39x4.0-6H	45	22	95	51	79	74	144	259
JCR761	M42	6	13	M42x4.5-6H	63	26	108	65	93	85	168.5	298.5
JCR762	M45	6	13	M45x4.5-6H	68	26	108	65	93	85	176.5	306.5
JCR763	M48	6	14	M48x5.0-6H	68	26	108	65	93	85	176.5	306.5
JCR764	M52	11	20	M52x5.0-6H	84	32	120	70	105	95	228	374
JCR765	M56	11	20	M56x5.5-6H	84	32	120	70	105	95	228	374
JCR766	M60	11	20	M60x5.5-6H	90	32	120	70	105	95	235	381
JCR767	M64	11	20	M64x6.0-6H	95	32	120	70	105	95	241	387
JCR768	M72	31	31.5	M72x6.0-6H	108	48	136.5	90	169	155	289.5	474.5
JCR769	M80	32	35	M80x6.0-6H	120	48	136.5	90	169	155	294.5	479.5
JCR770	M90	34	40	M90x6.0-6H	135	48	136.5	90	169	155	330.5	515.5
JCR771	M100	36.5	40	M100x6.0-6H	135	48	136.5	90	169	155	330.5	515.5

G80 LIFTING POINT

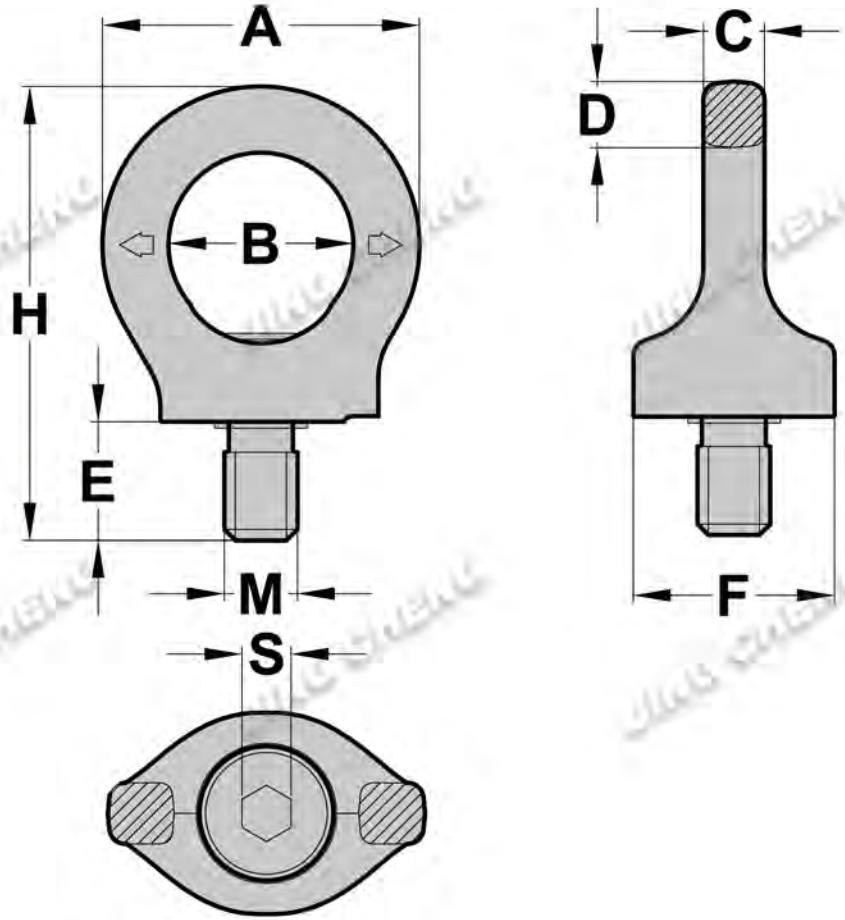


Item No.	Size	Weight (kg)	WLL (t)	Thread (M)	Torque in (Nm)	Dimensions (mm)									
						E	A	B	C	D	F	G	H	S	SW
JCR772	M8	0.5	0.3	M8x1.25-6g	30	11	34	37	42	14	98.5	57	36	6	13
JCR773	M10	0.5	0.63	M10x1.5-6g	60	16	34	37	43	14	98.5	57	36	6	16
JCR774	M12	0.5	1	M12x1.75-6g	100	18	34	37	45	14	98.5	57	36	8	18
JCR775	M14	0.5	1.2	M14x2.0-6g	120	21	34	37	46	14	98.5	57	36	10	21
JCR776	M16	0.5	1.5	M16x2.0-6g	150	24	34	37	48	14	98.5	57	36	10	24
JCR777	M18	1.5	2	M18x2.5-6g	200	26	50	54	57	16.5	143	82	44	12	27
JCR778	M20	1.5	2.5	M20x2.5-6g	250	30	50	54	58	16.5	143	82	44	12	30
JCR779	M22	1.5	3	M22x2.5-6g	300	30	50	54	60	16.5	143	82	44	12	34
JCR780	M24	1.5	4	M24x3.0-6g	400	36	50	54	61	16.5	143	82	44	14	36
JCR781	M27	3	4	M27x3.0-6g	400	38	60	65	80	22	170	99	62	17	41
JCR782	M30	3.5	5	M30x3.5-6g	500	48	60	65	82	22	170	99	62	17	46
JCR783	M33	3.5	6	M33x3.5-6g	600	54	60	65	85	22	174	99	60	22	55
JCR784	M36S	3.5	7	M36x4.0-6g	700	54	60	65	85	22	174	99	60	22	55
JCR785	M36B	6	8	M36x4.0-6g	800	62	77	85	104	27	226.5	123	79	22	55
JCR786	M39	6	8	M39x4.0-6g	800	62	77	85	104	27	226.5	123	79	22	55
JCR787	M42S	6.5	10	M42x4.5-6g	1000	72	77	85	106	27	226.5	123	79	22	65
JCR788	M42B	11	15	M42x4.5-6g	1500	63	95	104	117	36	257.5	158	90	22	65
JCR789	M45	11	15	M45x4.5-6g	1600	63	95	104	117	36	257.5	158	90	22	65
JCR790	M48	12	20	M48x5.0-6g	2000	72	95	104	120	36	257.5	158	90	27	75
JCR791	M52	12	20	M52x5.0-6g	2000	72	95	104	120	36	257.5	158	90	27	75
JCR792	M56	15	22	M56x5.5-6g	2100	84	95	104	117	36	257.5	158	90	27	85
JCR793	M64	16.3	22.5	M64x6.0-6g	2200	100	114	104	138	36	264.5	158	103	32	95

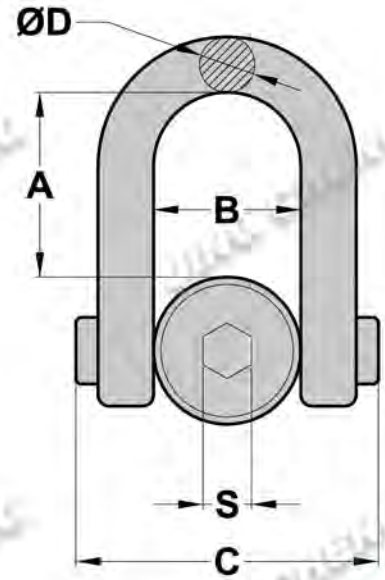
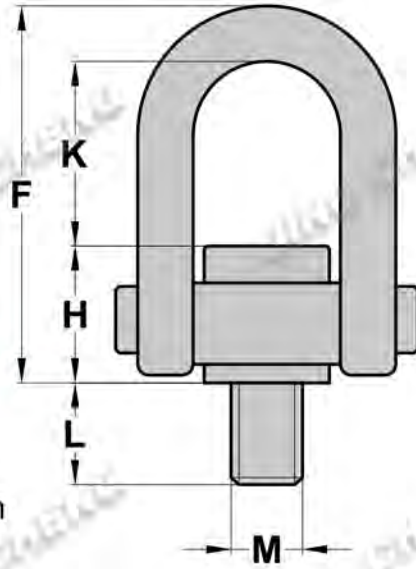
G80 KEY EYE POINT



360° Rotation

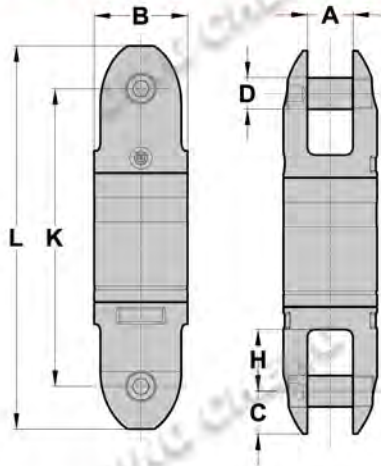


Item No.	Size	Weight (kg)	WLL (t)	Thread (M)	Dimensions (mm)							
					E	A	B	C	D	F	H	S
JCR794	M8	0.15	0.3	M8x1.25-6g	12	44	25	8	9.5	26	61.5	6
JCR795	M10	0.15	0.4	M10x1.5-6g	15	44	25	8	9.5	26	64.5	6
JCR796	M12	0.2	0.75	M12x1.75-6g	18	52	30	10	11	32	76	8
JCR797	M14	0.2	0.75	M14x2.0-6g	18	52	30	10	11	32	76	8
JCR798	M16	0.35	1.5	M16x2.0-6g	24	61	35	14	13	39	91	10
JCR799	M18	0.35	1.5	M18x2.5-6g	24	61	35	14	13	39	91	10
JCR800	M20	0.6	2.3	M20x2.5-6g	30	70	40	16	15	47	108	12
JCR801	M22	0.6	2.3	M22x2.5-6g	30	70	40	16	15	47	108	12
JCR802	M24	1	3.2	M24x3.0-6g	36	84	48	19	18	55	127	14
JCR803	M27	1	3.2	M27x3.0-6g	36	84	48	19	18	55	127	14
JCR804	M30	2	4.5	M30x3.5-6g	45	105	60	24	22.5	67	159	17
JCR805	M33	2	4.5	M33x3.5-6g	45	105	60	24	22.5	67	159	17
JCR806	M36	3	7	M36x4.0-6g	54	126	72	29	27	85	195	22
JCR807	M42	5	9	M42x4.5-6g	63	147	82	34	32.5	98	225.5	22
JCR808	M48	7.5	12	M48x5.0-6g	72	168	96	38	36	114	259	27



Item No.	Size	Weight (kg)	WLL (t)	Thread (M)	Torque in (Nm)	Dimensions (mm)								
						L	A	B	C	D	F	K	H	S
JCR809	M8	0.8	0.5	M8x1.25-6g	30	12	50.5	37	76	14	101.5	49.5	38	8
JCR810	M10	0.8	0.7	M10x1.5-6g	60	16	50.5	37	76	14	101.5	49.5	38	8
JCR811	M12	0.8	1	M12x1.75-6g	100	18	50.5	37	76	14	101.5	49.5	38	8
JCR812	M14	0.8	1.5	M14x2.0-6g	120	21	50.5	37	76	14	101.5	49.5	38	8
JCR813	M16	0.8	2	M16x2.0-6g	150	24	50.5	37	76	14	101.5	49.5	38	8
JCR814	M18	1.9	2.5	M18x2.5-6g	200	40	73	54	106	20	145	77	48	12
JCR815	M20	2	3	M20x2.5-6g	250	40	73	54	106	20	145	77	48	12
JCR816	M22	2.1	3	M22x2.5-6g	250	40	73	54	106	20	145	77	48	12
JCR817	M24	2.5	4.5	M24x3.0-6g	400	40	73	54	106	20	145	77	48	12
JCR818	M27	5.5	5	M27x3.0-6g	450	40	98.5	73	149	30	201.5	103.5	68	17
JCR819	M30	5.5	7.3	M30x3.5-6g	500	45	98.5	73	149	30	201.5	103.5	68	17
JCR820	M33	5.5	8	M33x3.5-6g	800	50	98.5	73	149	30	201.5	103.5	68	17
JCR821	M36	5.5	10	M36x4.0-6g	1000	54	98.5	73	149	30	201.5	103.5	68	17
JCR822	M39	6	10	M39x4.0-6g	1200	58	98.5	73	149	30	201.5	103.5	68	17
JCR823	M42	6	12.5	M42x4.5-6g	1500	63	98.5	73	149	30	201.5	103.5	68	17
JCR824	M45	6	15	M45x4.5-6g	1800	63	98.5	73	149	30	201.5	103.5	68	17
JCR825	M48S	6.5	16	M48x5.0-6g	2000	63	98.5	73	149	30	201.5	101.5	70	17
JCR826	M48	11.5	20	M48x5.0-6g	2000	68	120	93	182	36	249	125	84	19
JCR827	M52	12	20	M52x5.0-6g	2000	68	120	93	182	36	249	125	84	19
JCR828	M56	12	25	M56x5.5-6g	2100	78	120	93	182	36	249	125	84	19
JCR829	M64	13	32	M64x6.0-6g	2200	90	120	93	182	36	249	125	88	19

ANGULAR CONTACT BEARING SWIVELS-STYLE

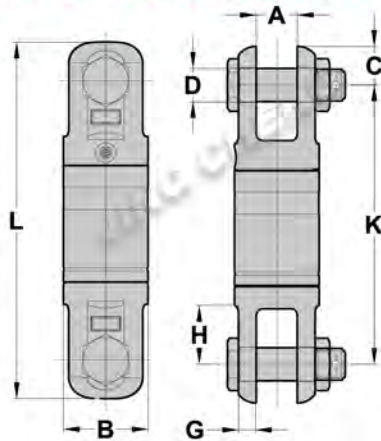


360° Rotation



Item No.	Size (t)	Weight (kg)	WLL (t)	Dimensions (mm)						
				B	K	L	C	A	D	H
JCR830	0.75	0.5	0.75	34	107	131	12	15	10	22
JCR831	1.5	0.8	1.5	40	119	131	16	18	12	26
JCR832	3	2.0	3	53	160	210	25	23	16	32
JCR833	5	3.9	5	67	205	267	31	32	22	37
JCR834	8.5	6.7	8.5	78	246	316	35	37	24	50
JCR835	10	18.6	10	106	316	408	46	42	38	53
JCR836	15	19.9	15	119	330	426	48	48	38	56
JCR837	25	36.5	25	137	403	525	61	62	50	69
JCR838	35	47.6	35	154	423	545	61	62	50	69

ANGULAR CONTACT BEARING SWIVELS-UU

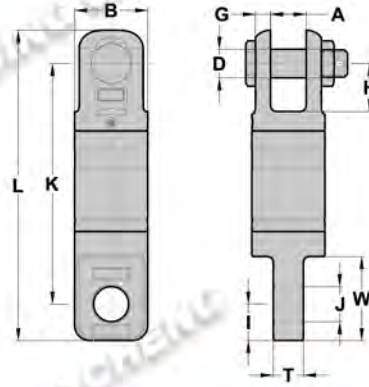


360° Rotation



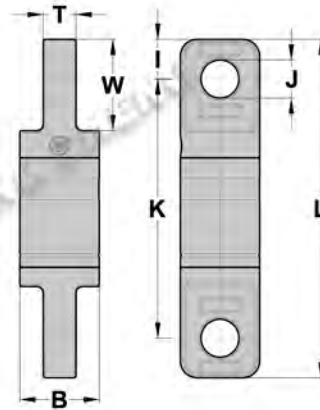
Item No.	Size (t)	Weight (kg)	WLL (t)	Dimensions (mm)							
				B	K	L	C	A	D	G	H
JCR839	0.75	0.5	0.75	34	107	133	13	15	10	6	22
JCR840	1.5	0.9	1.5	40	119	159	20	18	13	8	26
JCR841	3	2.3	3	53	160	210	25	23	19	10	32
JCR842	5	4.4	5	67	203	267	32	32	22	14	37
JCR843	8.5	7.6	8.5	78	250	326	38	40	30	14	54
JCR844	10	19.5	10	106	310	410	50	42	38	25	54
JCR845	15	21.7	15	119	320	440	60	48	38	25	57
JCR846	25	39.5	25	137	405	535	65	62	50	30	70
JCR847	35	46.2	35	154	415	545	65	62	50	33	70
JCR848	60	352	60	570	670	890	110	100	80	75	120

ANGULAR CONTACT BEARING SWIVELS-UO



Item No.	Size (t)	Weight (kg)	WLL (t)	Dimensions (mm)										
				B	K	L	A	G	D	H	T	J	W	I
JCR849	0.75	0.5	0.75	34	107	133	15	6	10	22	12	10.5	35	13
JCR850	1.5	0.9	1.5	40	119	159	18	8	13	26	15	13.5	46	20
JCR851	3	2.2	3	53	160	210	23	10	19	32	20	20	57	25
JCR852	5	4.4	5	67	203	267	32	14	22	37	26	33	69	32
JCR853	8.5	7.4	8.5	78	250	326	40	14	30	54	32	37	92	38
JCR854	10	18.0	10	106	310	410	42	25	38	54	42	44	104	50
JCR855	15	21.2	15	119	320	440	48	25	38	57	49	54	117	60
JCR856	25	40.0	25	137	405	540	62	30	50	70	60	66	140	70
JCR857	35	46.7	35	154	415	550	62	33	50	70	60	66	140	70
JCR858	60	302	60	270	670	890	100	75	80	120	75	80	230	110

ANGULAR CONTACT BEARING SWIVELS-OO



Item No.	Size (t)	Weight (kg)	WLL (t)	Dimensions (mm)						
				B	K	L	I	T	J	W
JCR859	0.75	0.5	0.75	34	107	133	13	12	10.5	35
JCR860	1.5	0.9	1.5	40	119	159	20	15	13.5	46
JCR861	3	2.1	3	53	160	210	25	20	20	57
JCR862	5	4.3	5	67	203	267	32	26	33	69
JCR863	8.5	7.3	8.5	78	250	326	38	32	37	92
JCR864	10	17.0	10	106	310	410	50	42	44	104
JCR865	15	21.2	15	119	320	440	60	49	54	117
JCR866	25	39.0	25	137	405	545	70	60	66	140
JCR867	35	45.8	35	154	415	555	70	60	66	140
JCR868	60	235	60	270	670	890	110	75	80	230

If you are in need of other types
not listed in our catalogue
please contact our sales department.



