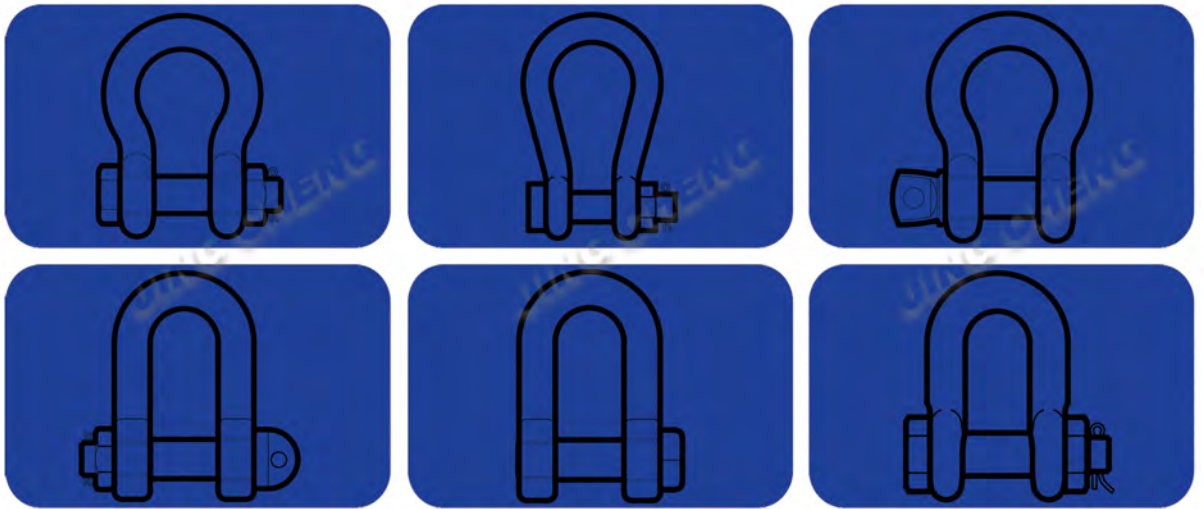


**JINGCHENG**

2022  
FORGING

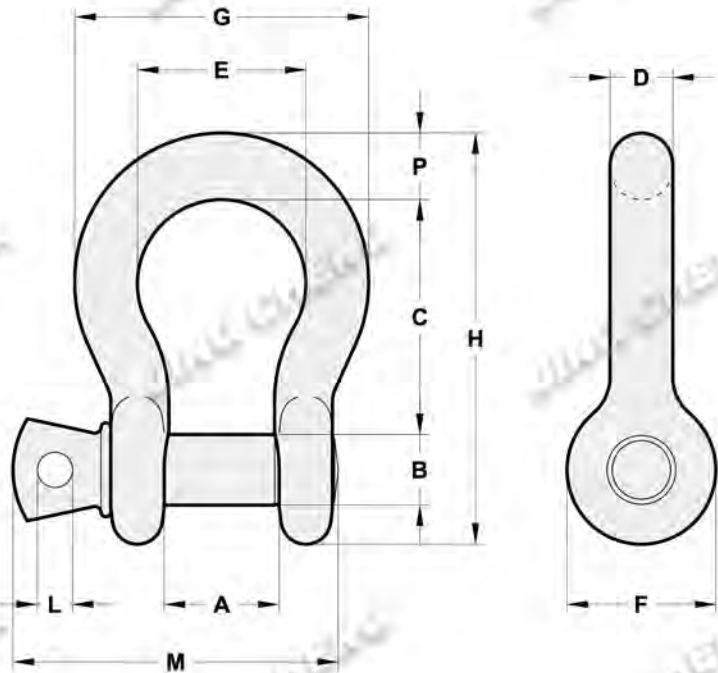
# SHACKLE



**Qingdao Jingcheng Forging Co., Ltd**

[www.qdjcforging.com](http://www.qdjcforging.com)

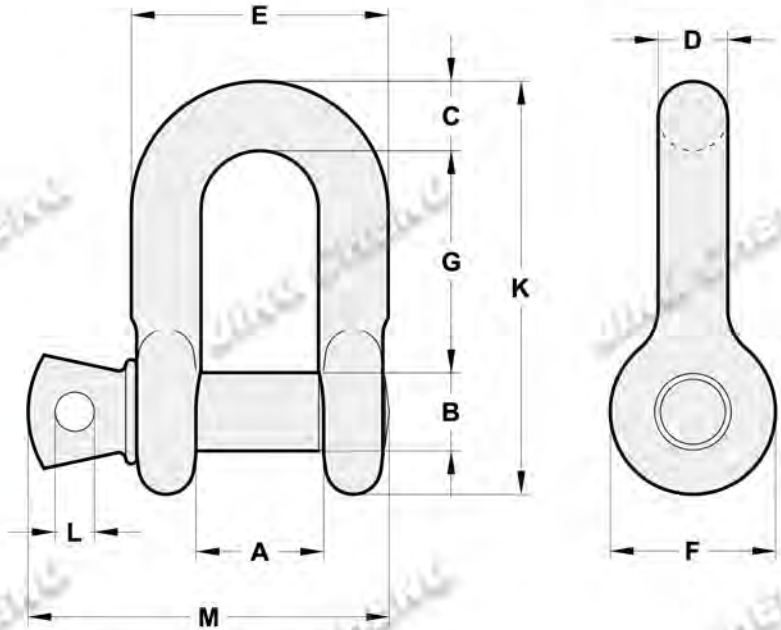
## US TYPE SCREW PIN ANCHOR SHACKLE G209/S209



- Standard: Meets performance requirements of US Fed. Spec. RR-C271D Type IVA Grade A, Class 2
- Forged-Quenched and Tempered with Alloy Pin
- Maximum Proof Load is 2.0 times the Working Load Limit. Minimum Ultimate Load is 6 times the Working Load Limit.
- Finish: Hot Dip Galvanized according to ASTM A153, Powder Coated or Self-Colored
- Certification: Material Certificates and Testing Certificates available when requested at the time of order
- Package: Packing available with Carton Box or Gunny Bag

Item No.	Nominal Size (in.)	Working Load Limit (t)	Weight Each (lbs.)	Dimensions (in.)												Tolerance +/-	
				A	B	C	D	E	F	G	H	L	M	P	C	A	
JCS001	3/16	1/3	0.16	0.38	0.25	0.88	0.19	0.60	0.56	0.98	1.47	0.16	1.14	0.19	0.06	0.06	
JCS002	1/4	1/2	0.10	0.47	0.31	1.13	0.25	0.78	0.61	1.28	1.84	0.19	1.43	0.25	0.06	0.06	
JCS003	5/16	3/4	0.18	0.53	0.38	1.22	0.31	0.84	0.75	1.47	2.09	0.22	1.71	0.31	0.06	0.06	
JCS004	3/8	1	0.31	0.66	0.44	1.44	0.38	1.03	0.91	1.78	2.49	0.25	2.02	0.38	0.13	0.06	
JCS005	7/16	1-1/2	0.38	0.75	0.50	1.69	0.44	1.16	1.06	2.03	2.91	0.31	2.37	0.44	0.13	0.06	
JCS006	1/2	2	0.72	0.81	0.63	1.88	0.50	1.31	1.19	2.31	3.28	0.38	2.69	0.50	0.13	0.06	
JCS007	5/8	3-1/4	1.37	1.06	0.75	2.38	0.63	1.69	1.50	2.94	4.19	0.44	3.34	0.69	0.13	0.06	
JCS008	3/4	4-3/4	2.35	1.25	0.88	2.81	0.75	2.00	1.81	3.50	4.97	0.50	3.97	0.81	0.25	0.06	
JCS009	7/8	6-1/2	3.62	1.44	1.00	3.31	0.88	2.28	2.09	4.03	5.83	0.50	4.50	0.97	0.25	0.06	
JCS010	1	8-1/2	5.03	1.69	1.13	3.75	1.00	2.69	2.38	4.69	6.56	0.56	5.13	1.06	0.25	0.06	
JCS011	1-1/8	9-1/2	7.41	1.81	1.25	4.25	1.16	2.91	2.69	5.16	7.47	0.63	5.71	1.25	0.25	0.06	
JCS012	1-1/4	12	9.50	2.03	1.38	4.69	1.29	3.25	3.00	5.75	8.25	0.69	6.25	1.38	0.25	0.06	
JCS013	1-3/8	13-1/2	13.53	2.25	1.50	5.25	1.42	3.63	3.31	6.38	9.16	0.75	6.83	1.50	0.25	0.13	
JCS014	1-1/2	17	17.20	2.38	1.63	5.75	1.54	3.88	3.63	6.88	10.00	0.81	7.33	1.62	0.25	0.13	
JCS015	1-3/4	25	27.78	2.88	2.00	7.00	1.84	5.00	4.19	8.86	12.34	1.00	9.06	2.25	0.25	0.13	
JCS016	2	35	45.00	3.25	2.25	7.75	2.08	5.75	4.81	9.97	13.68	1.22	10.35	2.40	0.25	0.13	
JCS017	2-1/2	55	85.75	4.13	2.75	10.50	2.71	7.25	5.69	12.87	17.84	1.38	13.00	3.13	0.25	0.25	

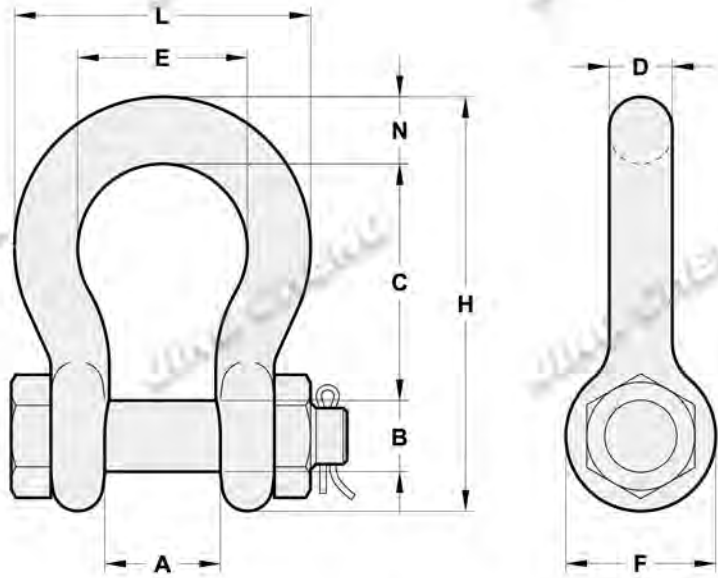
## US TYPE SCREW PIN CHAIN SHACKLE G210/S210



- Standard: Meets performance requirements of US Fed. Spec. RR-C271D Type IVA Grade A, Class 2
- Forged-Quenched and Tempered with Alloy Pin
- Maximum Proof Load is 2.0 times the Working Load Limit. Minimum Ultimate Load is 6 times the Working Load Limit.
- Finish: Hot Dip Galvanized according to ASTM A153, Powder Coated or Self-Colored
- Certification: Material Certificates and Testing Certificates available when requested at the time of order
- Package: Packing available with Carton Box or Gunny Bag

Item No.	Nominal Size (in.)	Working Load Limit (t)	Weight Each (lbs.)	Dimensions (in.)										Tolerance +/-	
				A	B	C	D	E	F	G	K	L	M	G	A
JCS018	1/4	1/2	0.11	0.47	0.31	0.25	0.25	0.97	0.62	0.97	1.59	0.19	1.43	0.06	0.06
JCS019	5/16	3/4	0.17	0.53	0.38	0.31	0.31	1.15	0.75	1.07	1.91	0.22	1.71	0.06	0.06
JCS020	3/8	1	0.28	0.66	0.44	0.38	0.38	1.42	0.92	1.28	2.31	0.25	2.02	0.13	0.06
JCS021	7/16	1-1/2	0.43	0.75	0.50	0.44	0.44	1.63	1.06	1.48	2.67	0.31	2.37	0.13	0.06
JCS022	1/2	2	0.59	0.81	0.63	0.50	0.50	1.81	1.18	1.66	3.03	0.38	2.69	0.13	0.06
JCS023	5/8	3-1/4	1.25	1.06	0.75	0.63	0.63	2.32	1.50	2.04	3.76	0.44	3.34	0.13	0.06
JCS024	3/4	4-3/4	2.63	1.25	0.88	0.81	0.75	2.75	1.81	2.40	4.53	0.50	3.97	0.25	0.06
JCS025	7/8	6-1/2	3.16	1.44	1.00	0.97	0.88	3.20	2.10	2.86	5.33	0.50	4.50	0.25	0.06
JCS026	1	8-1/2	4.75	1.69	1.13	1.00	1.00	3.69	2.38	3.24	5.94	0.56	5.13	0.25	0.06
JCS027	1-1/8	9-1/2	6.75	1.81	1.25	1.25	1.13	4.07	2.69	3.61	6.78	0.63	5.71	0.25	0.06
JCS028	1-1/4	12	9.06	2.03	1.38	1.38	1.25	4.53	3.00	3.97	7.50	0.69	6.25	0.25	0.13
JCS029	1-3/8	12-1/2	11.63	2.25	1.50	1.50	1.38	5.01	3.31	4.43	8.28	0.75	6.53	0.25	0.13
JCS030	1-1/2	17	15.95	2.38	1.63	1.62	1.50	5.38	3.62	4.87	9.05	0.81	7.33	0.25	0.13
JCS031	1-3/4	25	26.75	2.88	2.00	2.12	1.75	6.38	4.19	5.78	10.97	1.00	9.06	0.25	0.13
JCS032	2	35	42.31	3.25	2.25	2.36	2.10	7.25	5.00	6.77	12.74	1.13	10.35	0.25	0.13
JCS033	2-1/2	55	71.75	4.12	2.75	2.63	2.63	9.38	5.68	8.07	14.85	1.38	13.00	0.25	0.13

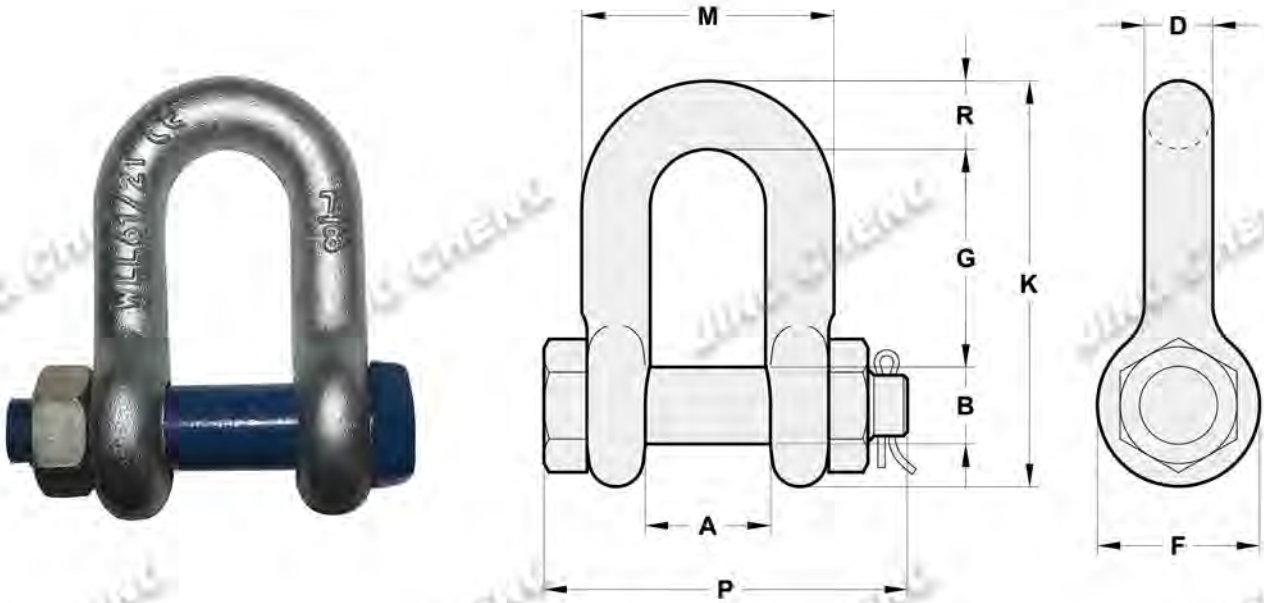
## US TYPE BOLT & NUT PIN ANCHOR SHACKLE G2130/S2130



- Standard: Meets performance requirements of US Fed. Spec. RR-C271D Type IVA Grade A, Class 3
- Forged-Quenched and Tempered with Alloy Pin
- Maximum Proof Load is 2.0 times the Working Load Limit. Minimum Ultimate Load is 6 times the Working Load Limit.
- Finish: Hot Dip Galvanized according to ASTM A153, Powder Coated or Self-Colored
- Certification: Material Certificates and Testing Certificates available when requested at the time of order
- Package: Packing available with Carton Box or Gunny Bag

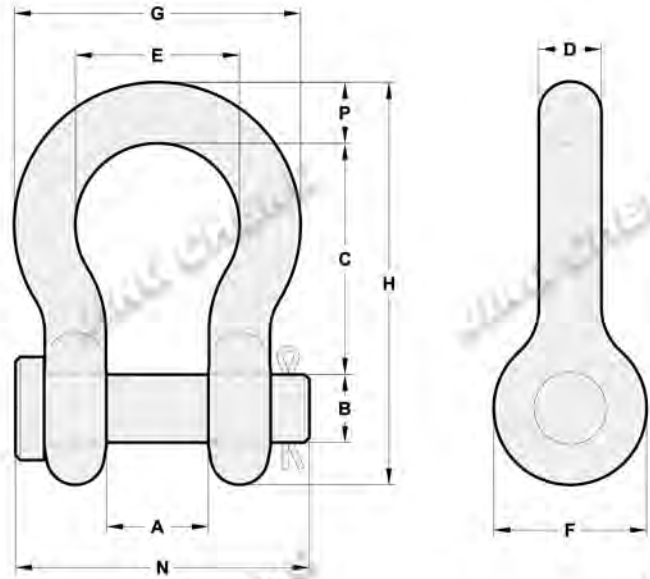
Item No.	Nominal Size (in.)	Working Load Limit (t)	Weight Each (lbs.)	Dimensions (in.)									Tolerance +/-	
				A	B	C	D	E	F	H	L	N	C	A
JCS034	3/16	1/3	0.06	0.38	0.25	0.88	0.19	0.60	0.56	1.47	0.98	0.19	0.6	0.06
JCS035	1/4	1/2	0.11	0.47	0.31	1.13	0.25	0.78	0.61	1.84	1.28	0.25	0.6	0.06
JCS036	5/16	3/4	0.22	0.53	0.38	1.22	0.31	0.84	0.75	2.09	1.47	0.31	0.6	0.06
JCS037	3/8	1	0.33	0.66	0.44	1.44	0.38	1.03	0.91	2.49	1.78	0.38	0.13	0.06
JCS038	7/16	1-1/2	0.49	0.75	0.50	1.69	0.44	1.16	1.06	2.91	2.03	0.44	0.13	0.06
JCS039	1/2	2	0.79	0.81	0.64	1.88	0.50	1.31	1.19	3.28	2.31	0.50	0.13	0.06
JCS040	5/8	3-1/4	1.68	1.06	0.77	2.38	0.63	1.69	1.50	4.19	2.94	0.69	0.13	0.06
JCS041	3/4	4-3/4	2.72	1.25	0.89	2.81	0.75	2.00	1.81	4.97	3.50	0.81	0.25	0.06
JCS042	7/8	6-1/2	3.95	1.44	1.02	3.31	0.88	2.28	2.09	5.83	4.03	0.97	0.25	0.06
JCS043	1	8-1/2	5.66	1.69	1.15	3.75	1.00	2.69	2.38	6.56	4.69	1.06	0.25	0.06
JCS044	1-1/8	9-1/2	8.27	1.81	1.25	4.25	1.13	2.91	2.69	7.47	5.16	1.25	0.25	0.06
JCS045	1-1/4	12	11.71	2.03	1.40	4.69	1.29	3.25	3.00	8.25	5.75	1.38	0.25	0.06
JCS046	1-3/8	13-1/2	15.83	2.25	1.53	5.25	1.42	3.63	3.31	9.16	6.38	1.50	0.25	0.13
JCS047	1-1/2	17	19.00	2.38	1.66	5.75	1.53	3.88	3.63	10.00	6.88	1.62	0.25	0.13
JCS048	1-3/4	25	33.91	2.88	2.04	7.00	1.84	5.00	4.19	12.34	8.80	2.25	0.25	0.13
JCS049	2	35	52.25	3.25	2.30	7.75	2.08	5.75	4.81	13.68	10.15	2.40	0.25	0.13
JCS050	2-1/2	55	98.25	4.13	2.80	10.50	2.71	7.25	5.69	17.90	12.75	3.13	0.25	0.25
JCS051	3	85	154.00	5.00	3.30	13.00	3.12	7.88	6.50	21.50	14.62	3.62	0.25	0.25
JCS052	3-1/2	120	265.00	5.25	3.76	14.63	3.62	9.00	8.00	24.88	17.02	4.38	0.25	0.25
JCS053	4	150	338.00	5.50	4.26	14.50	4.00	10.00	9.00	25.68	18.00	4.56	0.25	0.25

## US TYPE BOLT & NUT PIN CHAIN SHACKLE G2150/S2150



- Standard: Meets performance requirements of US Fed. Spec. RR-C271D Type IVA Grade A, Class 3
- Forged-Quenched and Tempered with Alloy Pin
- Maximum Proof Load is 2.0 times the Working Load Limit. Minimum Ultimate Load is 6 times the Working Load Limit.
- Finish: Hot Dip Galvanized according to ASTM A153, Powder Coated or Self-Colored
- Certification: Material Certificates and Testing Certificates available when requested at the time of order
- Package: Packing available with Carton Box or Gunny Bag

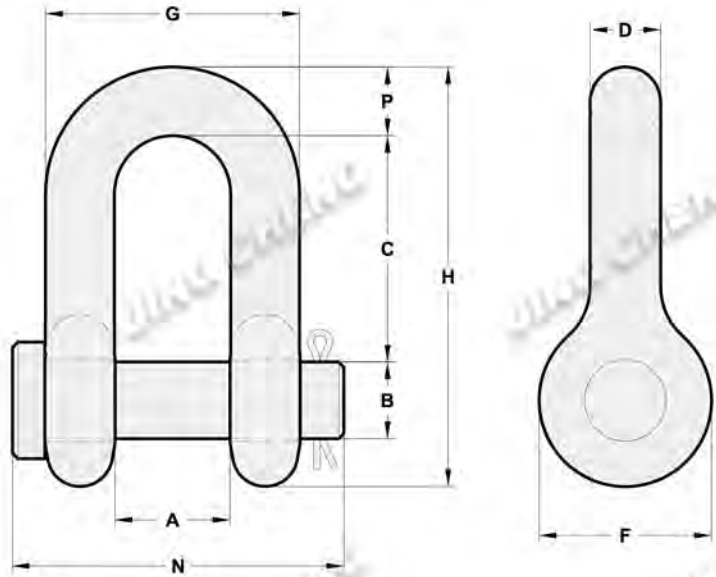
Item No.	Nominal Size (in.)	Working Load Limit (t)	Weight Each (lbs.)	Dimensions (in.)									Tolerance +/-	
				A	B	D	F	G	K	M	P	R	G	A
JCS054	1/4	1/2	0.13	0.47	0.31	0.25	0.62	0.91	1.59	0.97	1.56	0.25	0.06	0.06
JCS055	5/16	3/4	0.23	0.53	0.38	0.31	0.75	1.07	1.91	1.15	1.82	0.31	0.06	0.06
JCS056	3/8	1	0.33	0.66	0.44	0.38	0.92	1.28	2.31	1.42	2.17	0.38	0.13	0.06
JCS057	7/16	1-1/2	0.49	0.75	0.50	0.44	1.06	1.48	2.67	1.63	2.51	0.44	0.13	0.06
JCS058	1/2	2	0.75	0.81	0.64	0.50	1.18	1.66	3.03	1.81	2.80	0.50	0.13	0.06
JCS059	5/8	3-1/2	1.47	1.06	0.77	0.63	1.50	2.04	3.76	2.32	3.56	0.63	0.13	0.06
JCS060	3/4	4-3/4	2.52	1.25	0.89	0.75	1.81	2.40	4.53	2.75	4.15	0.81	0.25	0.06
JCS061	7/8	6-1/2	3.85	1.44	1.02	0.88	2.10	2.86	5.33	3.20	4.82	0.97	0.25	0.06
JCS062	1	8-1/2	5.55	1.69	1.15	1.00	2.38	3.24	5.94	3.69	5.39	1.00	0.25	0.06
JCS063	1-1/8	9-1/2	7.60	1.81	1.25	1.13	2.68	3.61	6.78	4.07	5.90	1.25	0.25	0.06
JCS064	1-1/4	12	10.81	2.03	1.40	1.25	3.00	3.97	7.50	4.53	6.69	1.38	0.25	0.06
JCS065	1-3/8	13-1/2	13.75	2.25	1.53	1.38	3.31	4.43	8.28	5.01	7.21	1.50	0.25	0.13
JCS066	1-1/2	17	18.50	2.38	1.66	1.50	3.62	4.87	9.05	5.38	7.73	1.62	0.25	0.13
JCS067	1-3/4	25	31.40	2.88	2.04	1.75	4.19	5.82	10.97	6.38	9.33	2.12	0.25	0.13
JCS068	2	35	46.75	3.25	2.30	2.10	5.00	6.82	12.74	7.25	10.41	2.36	0.25	0.13
JCS069	2-1/2	55	85.00	4.12	2.80	2.63	5.68	8.07	14.85	9.38	13.58	2.63	0.25	0.13
JCS070	3	85	124.25	5.00	3.25	3.00	6.50	8.56	16.87	11.00	15.13	3.50	0.25	0.13



- Standard: Meets performance requirements of US Fed. Spec. RR-C271D Type IVA Grade A, Class 1
- Forged-Quenched and Tempered with Alloy Pin
- Maximum Proof Load is 2.0 times the Working Load Limit. Minimum Ultimate Load is 6 times the Working Load Limit.
- Finish: Hot Dip Galvanized according to ASTM A153, Powder Coated or Self-Colored
- Certification: Material Certificates and Testing Certificates available when requested at the time of order
- Package: Packing available with Carton Box or Gunny Bag

Item No.	Nominal Size (in.)	Working Load Limit (t)	Weight Each (lbs.)	Dimensions (in.)												Tolerance +/-	
				A	B	C	D	E	F	G	H	L	M	P	C	A	
JCS071	3/16	1/3	0.16	0.38	0.25	0.88	0.19	0.60	0.56	0.98	1.47	0.16	1.14	0.19	0.06	0.06	
JCS072	1/4	1/2	0.13	0.47	0.31	1.13	0.25	0.78	0.61	1.28	1.84	0.19	1.43	0.25	0.06	0.06	
JCS073	5/16	3/4	0.18	0.53	0.38	1.22	0.31	0.84	0.75	1.47	2.09	0.22	1.71	0.31	0.06	0.06	
JCS074	3/8	1	0.29	0.66	0.44	1.44	0.38	1.03	0.91	1.78	2.49	0.25	2.02	0.38	0.13	0.06	
JCS075	7/16	1-1/2	0.38	0.75	0.50	1.69	0.44	1.16	1.06	2.03	2.91	0.31	2.37	0.44	0.13	0.06	
JCS076	1/2	2	0.71	0.81	0.63	1.88	0.50	1.31	1.19	2.31	3.28	0.38	2.69	0.50	0.13	0.06	
JCS077	5/8	3-1/4	1.50	1.06	0.75	2.38	0.63	1.69	1.50	2.94	4.19	0.44	3.34	0.69	0.13	0.06	
JCS078	3/4	4-3/4	2.32	1.25	0.88	2.81	0.75	2.00	1.81	3.50	4.97	0.50	3.97	0.81	0.25	0.06	
JCS079	7/8	6-1/2	3.49	1.44	1.00	3.31	0.88	2.28	2.09	4.03	5.83	0.50	4.50	0.97	0.25	0.06	
JCS080	1	8-1/2	5.00	1.69	1.13	3.75	1.00	2.69	2.38	4.69	6.56	0.56	5.13	1.06	0.25	0.06	
JCS081	1-1/8	9-1/2	6.97	1.81	1.25	4.25	1.16	2.91	2.69	5.16	7.47	0.63	5.71	1.25	0.25	0.06	
JCS082	1-1/4	12	9.75	2.03	1.38	4.69	1.29	3.25	3.00	5.75	8.25	0.69	6.25	1.38	0.25	0.06	
JCS083	1-3/8	13-1/2	13.25	2.25	1.50	5.25	1.42	3.63	3.31	6.38	9.16	0.75	6.83	1.50	0.25	0.13	
JCS084	1-1/2	17	17.25	2.38	1.63	5.75	1.54	3.88	3.63	6.88	10.00	0.81	7.33	1.62	0.25	0.13	
JCS085	1-3/4	25	29.49	2.88	2.00	7.00	1.84	5.00	4.19	8.86	12.34	1.00	9.06	2.25	0.25	0.13	
JCS086	2	35	45.75	3.25	2.25	7.75	2.08	5.75	4.81	9.97	13.68	1.22	10.35	2.40	0.25	0.13	
JCS087	2-1/2	55	85.70	4.13	2.75	10.50	2.71	7.25	5.69	12.87	17.84	1.38	13.00	3.13	0.25	0.25	

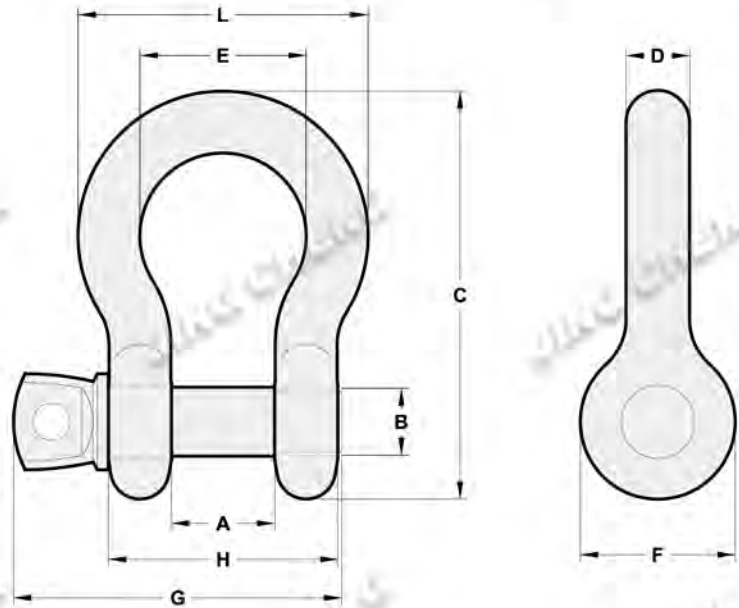
## US TYPE ROUND PIN CHAIN SHACKLE G215/S215



- Standard: Meets performance requirements of US Fed. Spec. RR-C271D Type IVA Grade A, Class 1
- Forged-Quenched and Tempered with Alloy Pin
- Maximum Proof Load is 2.0 times the Working Load Limit. Minimum Ultimate Load is 6 times the Working Load Limit.
- Finish: Hot Dip Galvanized according to ASTM A153, Powder Coated or Self-Colored
- Certification: Material Certificates and Testing Certificates available when requested at the time of order
- Package: Packing available with Carton Box or Gunny Bag

Item No.	Nominal Size (in.)	Working Load Limit (t)	Weight Each (lbs.)	Dimensions (in.)										Tolerance +/-	
				A	B	C	D	E	F	G	K	L	M	G	A
JCS088	1/4	1/2	0.10	0.47	0.31	0.25	0.25	0.97	0.62	0.97	1.59	0.19	1.43	0.06	0.06
JCS089	5/16	3/4	0.18	0.53	0.38	0.31	0.31	1.15	0.75	1.07	1.91	0.22	1.71	0.06	0.06
JCS090	3/8	1	0.25	0.66	0.44	0.38	0.38	1.42	0.92	1.28	2.31	0.25	2.02	0.13	0.06
JCS091	7/16	1-1/2	0.40	0.75	0.50	0.44	0.44	1.63	1.06	1.48	2.67	0.31	2.37	0.13	0.06
JCS092	1/2	2	0.50	0.81	0.63	0.50	0.50	1.81	1.18	1.66	3.03	0.38	2.69	0.13	0.06
JCS093	5/8	3-1/4	1.21	1.06	0.75	0.63	0.63	2.32	1.50	2.04	3.76	0.44	3.34	0.13	0.06
JCS094	3/4	4-3/4	2.00	1.25	0.88	0.81	0.75	2.75	1.81	2.40	4.53	0.50	3.97	0.25	0.06
JCS095	7/8	6-1/2	3.28	1.44	1.00	0.97	0.88	3.20	2.10	2.86	5.33	0.50	4.50	0.25	0.06
JCS096	1	8-1/2	4.75	1.69	1.13	1.00	1.00	3.69	2.38	3.24	5.94	0.56	5.13	0.25	0.06
JCS097	1-1/8	9-1/2	6.30	1.81	1.25	1.25	1.13	4.07	2.69	3.61	6.78	0.63	5.71	0.25	0.06
JCS098	1-1/4	12	9.00	2.03	1.38	1.38	1.25	4.53	3.00	3.97	7.50	0.69	6.25	0.25	0.13
JCS099	1-3/8	12-1/2	12.00	2.25	1.50	1.50	1.38	5.01	3.31	4.43	8.28	0.75	6.53	0.25	0.13
JCS100	1-1/2	17	16.15	2.38	1.63	1.62	1.50	5.38	3.62	4.87	9.05	0.81	7.33	0.25	0.13
JCS101	1-3/4	25	29.96	2.88	2.00	2.12	1.75	6.38	4.19	5.78	10.97	1.00	9.06	0.25	0.13
JCS102	2	35	43.25	3.25	2.25	2.36	2.10	7.25	5.00	6.77	12.74	1.13	10.35	0.25	0.13
JCS103	2-1/2	55	71.75	4.12	2.75	2.63	2.63	9.38	5.68	8.07	14.85	1.38	13.00	0.25	0.13

## G80 US TYPE SCREW PIN ANCHOR SHACKLE

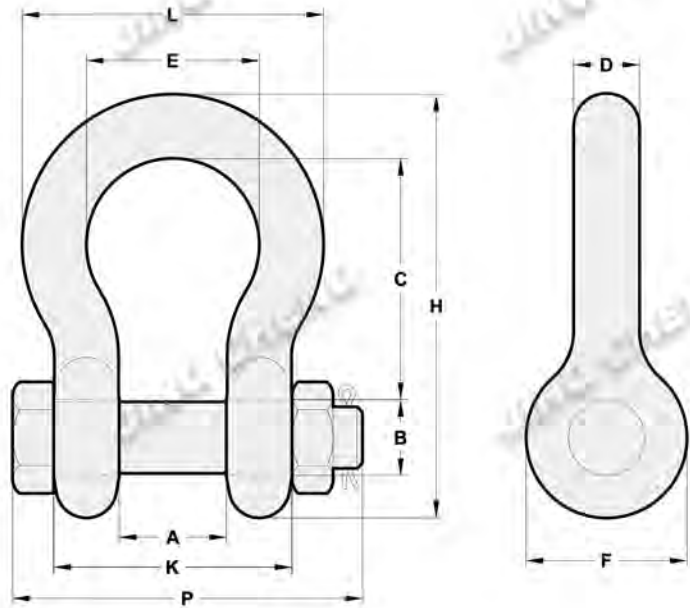


- Standard: Meets performance requirements of US Fed. Spec. RR-C271F Type IVA, Grade B
- Production Process: Drop Forged
- Material: Superior Alloy Steel for shackle body and pin
- Heat Treatment: Quenching and Tempering
- Safety Factor: Minimum Ultimate Load is 5 times the Working Load Limit
- Finish: Hot Dip Galvanized according to ASTM A153, Powder Coated or Self-Colored
- Certification: Material Certificates and Testing Certificates available when requested at the time of order
- Package: Packing available with Carton Box or Gunny Bag

Item No.	Size (in.)	Working Load Limit (t)	Weight Each (kg)	Dimensions (mm)									Tolerance +/-
				A	B	C	D	E	F	H	L	G	
JCS104	3/8	2	0.14	16.8	11	63	9.6	26.2	23.4	36	45.4	51	5%
JCS105	7/16	2-2/3	0.2	19	12.7	73.9	11.2	29.5	27	41.4	51.9	60	5%
JCS106	1/2	3-1/3	0.33	20.6	16	83.5	12.7	33	30	46	58.5	68	5%
JCS107	5/8	5	0.62	27	19	106	16	42	39	59	74	87	5%
JCS108	3/4	7	1.0	31.8	22.2	125	19	51	47	69.8	89	101	5%
JCS109	7/8	9-1/2	1.6	36.6	25.4	147	22	58	54	80.6	102	117	5%
JCS110	1	12-1/2	2.33	43	28.5	166	25	68	60	93	118	135.5	5%
JCS111	1-1/8	15	3.05	46	31.7	185	28	74	66	102	130	146	5%
JCS112	1-1/4	18	4.31	51.5	35.1	208	32	82	76	115.5	146	161	5%
JCS113	1-3/8	21	5.98	57	38	228	35	89	84	127	159	172	5%
JCS114	1-1/2	30	7.21	60.5	41.5	254	38	98	92	136.5	174	187	5%
JCS115	1-3/4	40	12.7	73	50.8	303	45	127	109	163	217	220	5%
JCS116	2	55	20.4	82.5	57.1	341	51	146	127	184.5	248	241	5%
JCS117	2-1/2	85	38	105	69.8	455	66.5	179	150	235	321	316	5%
JCS118	3	120	64	127	85	546	76	200	165	279	371	361	5%



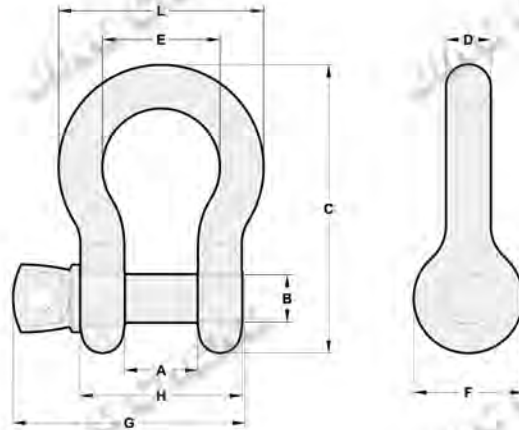
## G80 US TYPE SAFETY BOLT ANCHOR SHACKLE



- Standard: Meets performance requirements of US Fed. Spec. RR-C271F Type IVA, Grade B
- Production Process: Drop Forged
- Material: Superior Alloy Steel for shackle body and pin
- Heat Treatment: Quenching and Tempering
- Safety Factor: Minimum Ultimate Load is 5 times the Working Load Limit
- Finish: Hot Dip Galvanized according to ASTM A153, Powder Coated or Self-Colored
- Certification: Material Certificates and Testing Certificates available when requested at the time of order
- Package: Packing available with Carton Box or Gunny Bag

Item No.	Size (in)	Working Load Limit (t)	Weight Each (kg)	Dimensions (mm)										Tolerance +/-
				A	B	C	D	E	F	H	K	L	P	
JCS119	3/8	2	0.16	16.8	11	36.6	9.6	26.2	23.4	63	36	45.4	59.5	5%
JCS120	7/16	2-2/3	0.22	19	12.7	43	11.2	29.5	27	73.9	41.4	51.9	65	5%
JCS121	1/2	3-1/3	0.34	20.6	16	47	12.7	33	30	83.5	46	58.5	77.5	5%
JCS122	5/8	5	0.68	27	19	60	16	42	39	106	59	74	97	5%
JCS123	3/4	7	1.11	31.8	22.2	71	19	51	47	125	69.8	89	109	5%
JCS124	7/8	9-1/2	1.66	36.6	25.4	84	22	58	54	147	80.6	102	123	5%
JCS125	1	12-1/2	2.35	43	28.5	96	25	68	60	166	93	118	139	5%
JCS126	1-1/8	15	3.22	46	31.7	107	28	74	66	185	102	130	149	5%
JCS127	1-1/4	18	4.98	51.5	35.1	119	32	82	76	208	115.5	146	171	5%
JCS128	1-3/8	21	6.36	57	38	131	35	89	84	228	127	159	186	5%
JCS129	1-1/2	30	8.24	60.5	41.5	148	38	98	92	254	136.5	174	194	5%
JCS130	1-3/4	40	14.29	73	50.8	177	45	127	109	303	163	217	238	5%
JCS131	2	55	20.1	82.5	57.1	197	51	146	127	341	184.5	248	260	5%
JCS132	2-1/2	85	43.6	105	69.8	264	69	184	150	443	234	314	326	5%
JCS133	3	120	67	127	85	328	79	216	165	533	279	368	378	5%
JCS134	3-1/2	150	113	133	95	371	92	229	203	632	323	432	425	5%
JCS135	4	175	141	140	107	368	104	254	228	651	340	457	452	5%

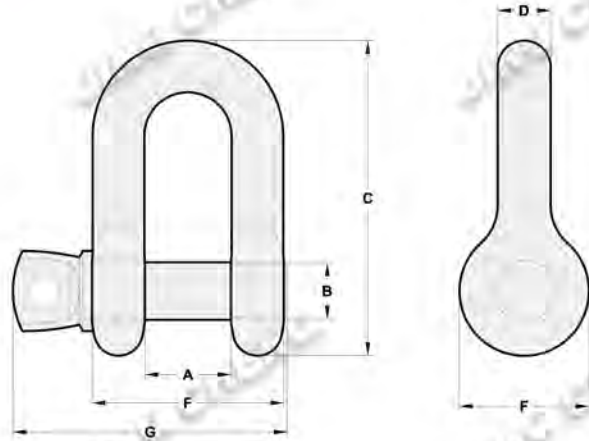
## EN13889 SCREW PIN ANCHOR SHACKLE



- Standard: Meets EN13889 and US Fed. Spec. RR-C271F Type IVA, Grade A
- Production Process: Drop Forged
- Material: High Strength Steel for shackle body and pin
- Heat Treatment: Quenching and Tempering
- Safety Factor: Minimum Ultimate Load is 6 times the Working Load Limit
- Finish: Hot Dip Galvanized according to ASTM A153, Powder Coated or Self-Colored
- Certification: Material Certificates and Testing Certificates available when requested at the time of order
- Package: Packing available with Carton Box or Gunny Bag

Item No.	Size (in)	Working Load Limit (t)	Weight Each (lbs.)	Dimensions (mm)									Tolerance +/-
				A	B	C	D	E	F	H	L	G	
JCS136	3/16	0.33	0.03	9.7	6.3	37.3	4.8	15.2	14.2	19.3	24.8	29.2	5%
JCS137	1/4	0.5	0.05	11.9	8	46.7	6.4	19.8	15.7	24.7	32.6	37	5%
JCS138	5/16	0.75	0.09	13.5	9.5	53	7.9	21.3	19	29.3	37.3	43.4	5%
JCS139	3/8	1	0.14	16.8	11	63	9.6	26.2	23.4	36	45.4	51	5%
JCS140	7/16	1.5	0.2	19	12.7	73.9	11.2	29.5	27	41.4	51.9	60	5%
JCS141	1/2	2	0.33	20.6	16	83.5	12.7	33	30	46	58.5	68	5%
JCS142	5/8	3.25	0.62	27	19	106	16	42	39	59	74	87	5%
JCS143	3/4	4.75	1	31.8	22.2	125	19	51	47	69.8	89	101	5%
JCS144	7/8	6.5	1.6	36.6	25.1	147	22	58	54	80.6	102	117	5%
JCS145	1	8.5	2.33	43	28.5	166	25	68	60	93	118	135.5	5%
JCS146	1-1/8	9.5	3.05	46	31.7	185	28	74	66	102	130	146	5%
JCS147	1-1/4	12	4.31	51.5	35.1	208	32	82	76	115.5	146	161	5%
JCS148	1-3/8	13.5	5.98	57	38	228	35	89	84	127	159	172	5%
JCS149	1-1/2	17	7.21	60.5	41.5	254	38	98	92	136.5	174	187	5%
JCS150	1-3/4	25	12.7	73	50.8	303	45	127	109	163	217	220	5%
JCS151	2	35	20.4	82.5	57.1	341	51	146	127	184.5	248	241	5%
JCS152	2-1/4	42.5	29	95	63	382	57	160	143	209	274	295	5%
JCS153	2-1/2	55	38	105	69.8	456	66.5	179	150	235	321	316	5%
JCS154	3	85	64	127	85	546	76	200	165	379	371	361	5%

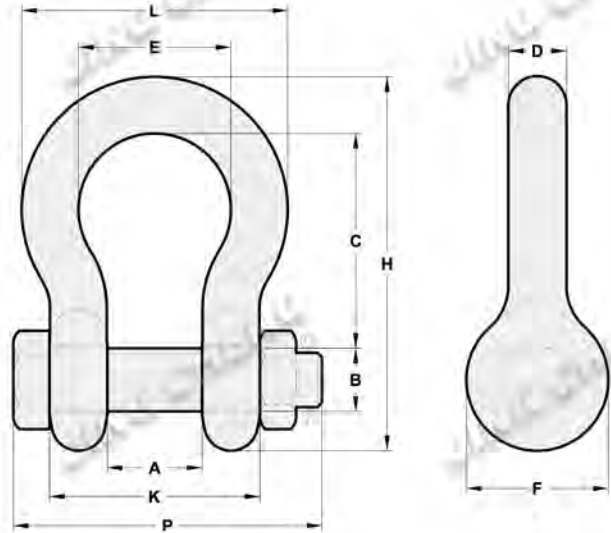
## EN13889 SCREW PIN CHAIN SHACKLE



- Standard: Meets EN13889 and US Fed. Spec. RR-C271F Type IVA, Grade A
- Production Process: Drop Forged
- Material: High Strength Steel for shackle body and pin
- Heat Treatment: Quenching and Tempering
- Safety Factor: Minimum Ultimate Load is 6 times the Working Load Limit
- Finish: Hot Dip Galvanized according to ASTM A153, Powder Coated or Self-Colored
- Certification: Material Certificates and Testing Certificates available when requested at the time of order
- Package: Packing available with Carton Box or Gunny Bag

Item No.	Size (in)	Working Load Limit (t)	Weight Each (lbs.)	Dimensions (mm)							Tolerance +/-
				A	B	C	D	E	F	G	
JCS155	3/16	0.33	0.03	9.5	6.3	37	5	14.5	19.5	29.2	5%
JCS156	1/4	0.5	0.05	11.9	8	40.4	6.4	15.7	24.7	37	5%
JCS157	5/16	0.75	0.08	13.5	9.5	48.5	7.9	19	29.3	43.4	5%
JCS158	3/8	1	0.13	16.8	11	58.7	9.6	23.4	36	51	5%
JCS159	7/16	1.5	0.2	19	12.7	67.8	11.2	27	41.4	60	5%
JCS160	1/2	2	0.27	20.6	16	77	12.7	30	46	68	5%
JCS161	5/8	3.25	0.57	27	19	96	16	39	59	87	5%
JCS162	3/4	4.75	1.2	31.8	22.2	114	19	47	69.8	101	5%
JCS163	7/8	6.5	1.43	36.6	25.4	134	22	54	80.6	117	5%
JCS164	1	8.5	2.15	43	28.5	152	25	60	93	135.5	5%
JCS165	1-1/8	9.5	3.06	46	31.7	168	28	66	102	146	5%
JCS167	1-1/4	12	4.11	51.5	35.1	189	32	76	115.5	161	5%
JCS168	1-3/8	13.5	5.28	57	38	208	35	84	127	172	5%
JCS169	1-1/2	17	7.23	60.5	41.5	230	38	92	136.5	187	5%
JCS170	1-3/4	25	12.1	73	50.8	272	45	109	163	220	5%
JCS171	2	35	19.2	82.5	57.1	314	51	127	184.5	241	5%
JCS172	2-1/4	42.5	26.6	95	63	342	57	143	209	295	5%
JCS173	2-1/2	55	32.5	105	69.8	378	65	150	235	326	5%
JCS174	3	85	54	127	85	417.5	76	165	279	381	5%

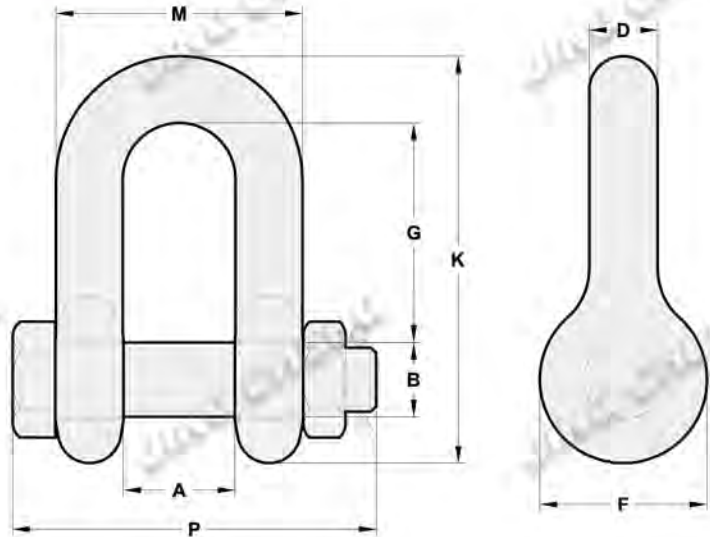
## EN13889 SAFETY BOLT ANCHOR SHACKLE



- Standard: Meets EN13889 and US Fed. Spec. RR-C271F Type IVA, Grade A
- Production Process: Drop Forged
- Material: High Strength Steel for shackle body and pin
- Heat Treatment: Quenching and Tempering
- Safety Factor: Minimum Ultimate Load is 6 times the Working Load Limit
- Finish: Hot Dip Galvanized according to ASTM A153, Powder Coated or Self-Colored
- Certification: Material Certificates and Testing Certificates available when requested at the time of order
- Package: Packing available with Carton Box or Gunny Bag

Item No.	Size (in)	Working Load Limit (t)	Weight Each (kg)	Dimensions (mm)										Tolerance +/-
				A	B	C	D	E	F	H	K	L	P	
JCS175	1/4	0.5	0.048	11.9	8	28.7	6.4	19.8	15.7	46.7	24.7	32.6	42	5%
JCS176	5/16	0.75	0.1	13.5	9.5	31	7.9	21.3	19	53	29.3	37.3	49	5%
JCS177	3/8	1	0.16	16.8	11.1	36.6	9.6	26.2	23.4	63	36	45.4	59.5	5%
JCS178	7/16	1.5	0.22	19	12.7	43	11.2	29.5	27	73.9	41.4	51.9	65	5%
JCS179	1/2	2	0.34	20.6	16	47	12.7	33	30	83.5	46	58.5	77.5	5%
JCS180	5/8	3.25	0.68	27	19	60	16	42	39	106	59	74	97	5%
JCS181	3/4	4.75	1.11	31.8	22.1	71	19	51	47	125	69.8	89	109	5%
JCS182	7/8	6.5	1.66	36.6	25.1	84	22	58	54	147	80.6	102	123	5%
JCS183	1	8.5	2.35	43	28.1	96	25	68	60	166	93	118	139	5%
JCS184	1-1/8	9.5	3.22	46	31.7	107	28	74	66	185	102	130	149	5%
JCS185	1-1/4	12	4.98	51.5	35.1	119	32	82	76	208	115.5	146	171	5%
JCS186	1-3/8	13.5	6.36	57	38	131	35	89	84	228	127	159	186	5%
JCS187	1-1/2	17	8.24	60.5	41.5	148	38	98	92	254	136.5	174	194	5%
JCS188	1-3/4	25	14.29	73	50.8	177	45	127	109	303	163	217	228	5%
JCS189	2	35	20.1	82.5	57.1	197	51	146	127	341	184.5	248	260	5%
JCS190	2-1/4	42.5	31.4	95	63	221	57	160	143	383	209	274	302	5%
JCS191	2-1/2	55	43.6	105	69.8	264	66.5	184	150	455	235	321	328	5%
JCS192	3	85	67	127	85	328	76	200	165	546	279	371	378	5%
JCS193	3-1/2	120	113	133	95	371	92	229	203	632	323	432	425	5%
JCS194	4	150	141	140	107	368	104	254	228	651.5	340	457	452	5%

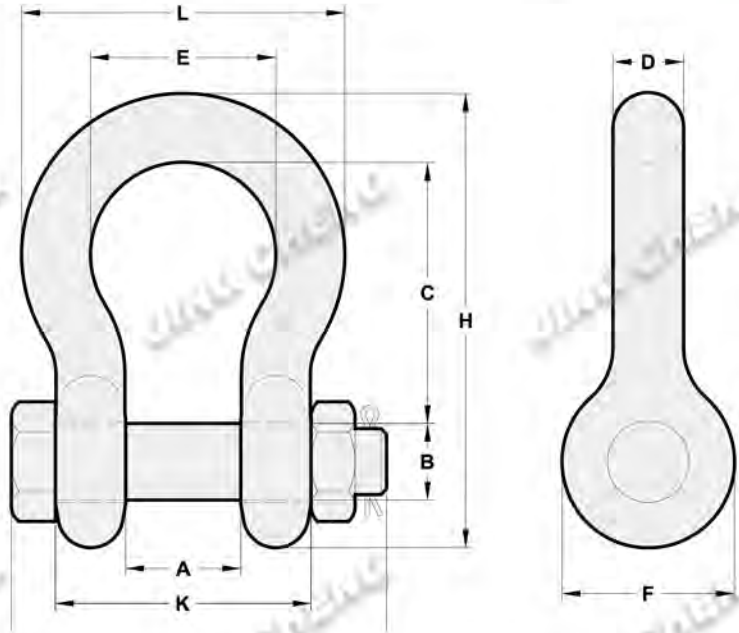
## EN13889 SAFETY BOLT CHAIN SHACKLE



- Standard: Meets EN13889 and US Fed. Spec. RR-C271F Type IVA, Grade A
- Production Process: Drop Forged
- Material: High Strength Steel for shackle body and pin
- Heat Treatment: Quenching and Tempering
- Safety Factor: Minimum Ultimate Load is 6 times the Working Load Limit
- Finish: Hot Dip Galvanized according to ASTM A153, Powder Coated or Self-Colored
- Certification: Material Certificates and Testing Certificates available when requested at the time of order
- Package: Packing available with Carton Box or Gunny Bag

Item No.	Size (in)	Working Load Limit (t)	Weight Each (lbs.)	Dimensions (mm)								Tolerance +/-
				A	B	D	F	M	G	K	P	
JCS195	3/8	1	0.15	16.8	11.1	9.6	23.4	36	32.5	58.7	59.5	5%
JCS196	7/16	1.5	0.19	19	12.7	11.2	27	41.4	37.6	67.8	65	5%
JCS197	1/2	2	0.33	20.6	16	12.7	30	46	40.7	77	77.5	5%
JCS198	5/8	3.25	0.67	27	19	16	39	59	50	96	97	5%
JCS199	3/4	4.75	1.05	31.8	22.1	19	47	69.8	59.5	114	109	5%
JCS200	7/8	6.5	1.55	36.6	25.1	22	54	80.6	71.5	134	123	5%
JCS201	1	8.5	2.2	43	28.1	25	60	93	82	152	139	5%
JCS202	1-1/8	9.5	2.9	46	31.7	28	66	102	90	168	149	5%
JCS203	1-1/4	12	4.43	51.5	35.1	32	76	115.5	100	189	171	5%
JCS204	1-3/8	13.5	6.24	57	38	35	84	127	111	208	186	5%
JCS205	1-1/2	17	7.74	60.5	41.5	38	92	136.5	124	230	194	5%
JCS206	1-3/4	25	12.6	73	50.8	45	109	163	145.5	272	238	5%
JCS207	2	35	18.45	82.5	57.1	51	127	184.5	169.5	314	260	5%
JCS208	2-1/4	42.5	28.9	95	63	57	143	209	181	342	302	5%
JCS209	2-1/2	55	38.6	105	69.8	65	150	235	201	378	328	5%
JCS210	3	85	56	127	73	71	157	160	243	383	409	5%

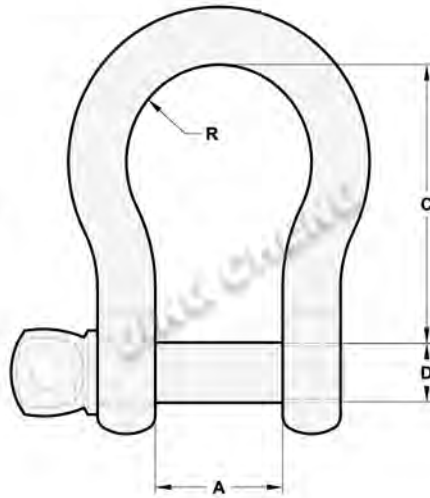
## EN13889 SUPER POLAR SAFETY BOLT ANCHOR SHACKLE



- Standard: Meets EN13889 and US Fed. Spec. RR-C271F Type IVA, Grade B
- Production Process: Drop Forged
- Material: Super Superior Alloy Steel for shackle body and pin
- Heat Treatment: Quenching and Tempering
- Safety Factor: Minimum Ultimate Load is 8 times the Working Load Limit (55tons and 85 tons,the safety factor is 7 times of working load limit)
- Finish: Hot Dip Galvanized according to ASTM A153, Powder Coated or Self-Colored
- Certification: Material Certificates and Testing Certificates available when requested at the time of order
- Package: Packing available with Carton Box or Gunny Bag

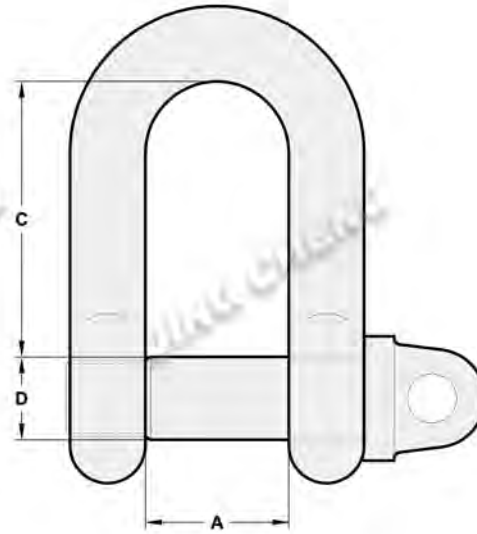
Item No.	Size (in)	Working Load Limit (t)	Weight Each (kg)	Dimensions (mm)										Tolerance +/-
				A	B	C	D	E	F	H	K	L	P	
JCS211	1/2	2	0.34	20.6	16	47	12.7	33.1	30	83.5	46	58.5	77.5	5%
JCS212	5/8	3.25	0.68	27	19	60	16	42	39	106	59	74	97	5%
JCS213	3/4	4.75	1.11	31.8	22.1	71	19	51	47	125	69.8	89	109	5%
JCS214	7/8	6.5	1.66	36.6	25.1	84	22	58	54	147	80.6	102	123	5%
JCS215	1	8.5	2.35	43	28.1	96	25	68	60	166	93	118	139	5%
JCS216	1-1/8	9.5	3.22	46	31.7	107	28	74	66	185	102	130	149	5%
JCS217	1-1/4	12	4.98	51.5	35.1	119	32	82	76	208	115.5	146	171	5%
JCS218	1-3/8	13.5	6.36	57	38	131	35	89	84	228	127	159	186	5%
JCS219	1-1/2	17	8.24	60.5	41.5	148	38	98	92	254	136.5	174	194	5%
JCS220	1-3/4	25	14.29	73	50.8	177	45	127	109	303	163	217	238	5%
JCS221	2	35	20.1	82.5	57.1	197	51	146	127	341	184.5	248	260	5%
JCS222	2-1/4	42.5	31.4	95	63	221	57	160	143	383	209	274	302	5%
JCS223	2-1/2	55	43.6	105	69.8	264	66.5	184	150	455	235	321	328	5%
JCS224	3	85	67	127	85	328	76	200	165	546	279	371	378	5%

## EUROPEAN BOW TYPE COMMERCIAL SHACKLE



- Production Process: Upset Forging
- Material: Carbon Steel for Shackle Body and Pin
- Safety Factor: 4:1
- Finish: Hot Dip Galvanized or Electro-galvanized
- Certification: Material Certificates and Testing Certificates available when requested at the time of order
- Package: Packing available with Carton Box or Gunny Bag

Item No.	Size (d)	Working Load Limit (t)	Dimensions (mm)					Weight (kg/pc)
			A	B	C	D	R	
JCS225	5	80	10	11	19	5	8	0.019
JCS226	6	100	13	14	25	6	10	0.034
JCS227	8	200	16	18	32	8	12	0.07
JCS228	10	320	19	20	38	10	16	0.13
JCS229	12	520	25	26	51	12	19	0.26
JCS230	16	800	32	33	64	16	28	0.5
JCS231	20	1100	38	40	76	20	33	0.8
JCS232	22	1500	44	50	89	22	37	1.3
JCS233	25	2100	51	57	100	25	40	2
JCS234	28	3000	57	68	115	28	47	3.1
JCS235	32	3500	64	73	127	32	52	4.3
JCS236	38	5000	76	85	152	38	63	7
JCS237	45	7000	90	96	180	45	75	12.5
JCS238	50	8000	102	108	200	50	78	17.5

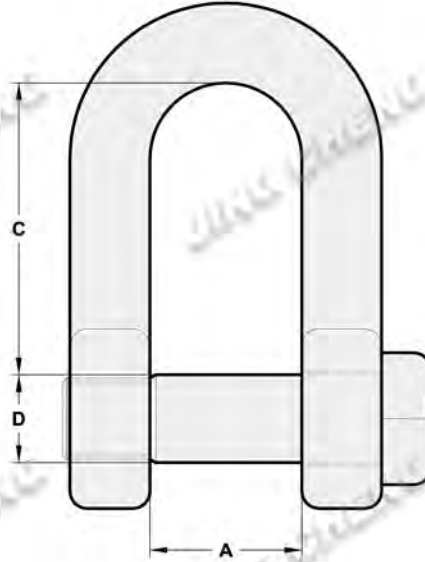


- Production Process: Upset Forging
- Material: Carbon Steel for Shackle Body and Pin
- Safety Factor: 4:1
- Finish: Hot Dip Galvanized or Electro-galvanized
- Certification: Material Certificates and Testing Certificates available when requested at the time of order
- Package: Packing available with Carton Box or Gunny Bag

Item No.	Size (d)	Working Load Limit (t)	Dimensions (mm)				Weight (kg/pc)
			A	B	C	D	
JCS239	5	80	11	10	19	5	0.019
JCS240	6	100	14	13	25	6	0.034
JCS241	8	200	18	16	32	8	0.07
JCS242	10	320	20	19	38	10	0.13
JCS243	12	520	26	25	51	12	0.24
JCS244	16	800	33	32	64	16	0.5
JCS245	20	1100	40	38	76	20	0.8
JCS246	22	1500	50	44	89	22	1.3
JCS247	25	2100	57	51	100	25	2
JCS248	28	3000	68	57	115	28	3
JCS249	32	3500	73	64	127	32	4.3
JCS250	38	5000	85	76	152	38	6.75
JCS251	45	7000	96	90	180	45	12.5
JCS252	50	8000	108	102	200	50	17.5

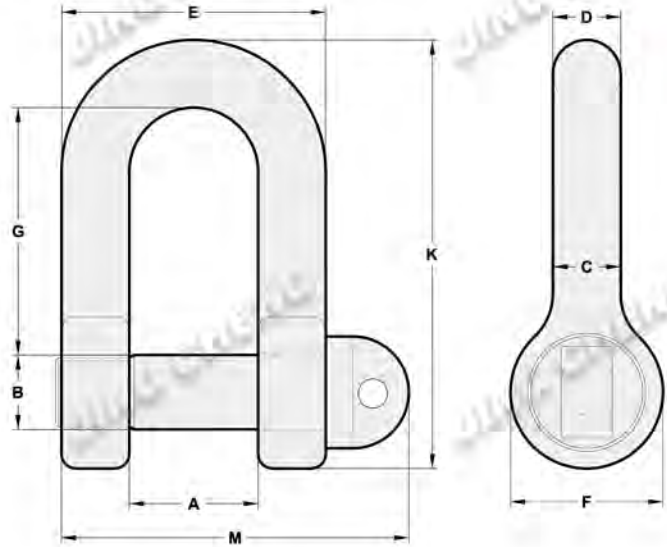


## EUROPEAN TYPE TRAWLING SHACKLE WITH SQUARE HEAD SCREW PIN



- Production Process: Upset Forging
- Material: Carbon Steel for Shackle Body and Pin
- Safety Factor: 4:1
- Finish: Hot Dip Galvanized or Electrogalvanized
- Certification: Material Certificates and Testing Certificates available when requested at the time of order
- Package: Packing available with Carton Box or Gunny Bag

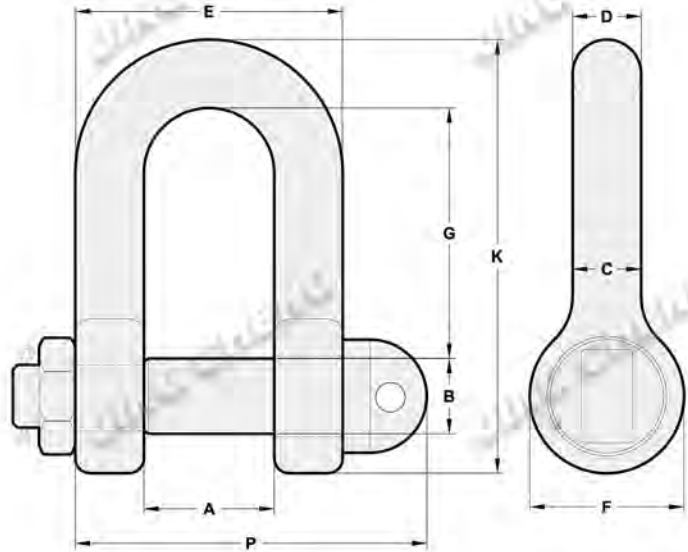
Item No.	Size (d)	Working Load Limit (t)	Dimensions (mm)				Weight (kg/pc)
			A	B	C	D	
JCS253	8	0.2	16	18	32	8	0.07
JCS254	10	0.3	20	20	38	10	0.134
JCS255	12	0.5	25	26	51	12	0.25
JCS256	16	0.8	32	33	63	16	0.53
JCS257	20	1.1	38	40	76	20	0.92
JCS258	22	1.5	45	50	88	22	1.4
JCS259	25	2	51	57	102	25	2.15
JCS260	28	2.6	57	68	114	28	3
JCS261	32	3.8	63	73	127	32	4.55
JCS262	38	4.5	76	85	152	38	7.6



- Production Process: Drop Forged
- Material: Carbon Steel for Shackle Body and Pin
- Safety Factor: 5:1
- Finish: Hot Dip Galvanized or Electroplated
- Certification: Material Certificates and Testing Certificates available when requested at the time of order
- Package: Packing available with Carton Box or Gunny Bag

Item No.	Size	Working Load Limit (t)	Weight Each (kg)	Dimensions (mm)									Tolerance +/-
				A	B	C	D	E	F	G	K	M	
JCS263	M5	0.1	0.013	7	5	4	5	15	10	15	28	23	5%
JCS264	M6	0.16	0.021	8	6	5	6	18	12	18	33	26.5	5%
JCS265	M8	0.25	0.048	11	8	7	8	25	16	23.5	44	33.5	5%
JCS266	M10	0.4	0.083	14	10	8	10	30	20	29.5	55	41	5%
JCS267	M12	0.6	0.156	17	12	10	12	37	24	35.5	66	50	5%
JCS268	M16	1	0.33	21	16	13	15	47	32	48.5	88	62	5%
JCS269	M20	1.6	0.71	27	20	17	19	61	40	60.5	110	82	5%
JCS270	M22	2	0.94	30	22	19	21	68	44	66.5	121	90	5%
JCS271	M24	2.5	1.35	33	24	21	23	75	48	72.5	132	99	5%
JCS272	M27	3	1.89	38	27	24	26	86	54	83	150	115	5%
JCS273	M30	4	2.53	42	30	27	29	96	60	90.5	165	125	5%
JCS274	M36	5	4	47	36	30	33	107	72	110.5	198	139	5%
JCS275	M39	6	5.1	53	39	34	37	121	78	119	215	154.5	5%
JCS276	M45	8	7.92	60	45	38	41	136	90	138.5	248	175.5	5%
JCS277	M48	10	9.87	66	48	42	45	150	96	146	264	195	5%
JCS278	M52	12	13.68	73	52	47	50	167	104	157	286	211	5%
JCS279	M60	16	20.23	81	60	52	55	185	120	183.5	330	232	5%
JCS280	M68	20	28.51	90	68	58	61	206	136	209.5	374	259	5%
JCS281	M72	25	33.93	100	72	63	67	226	144	219.5	396	284	5%

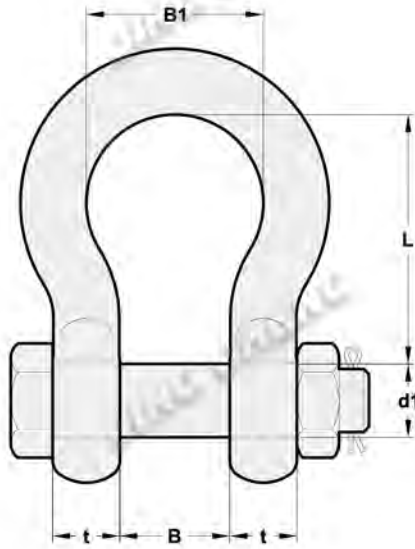
## DIN82101 SHACKLE, TYPE C



- Production Process: Drop Forged
- Material: Carbon Steel for Shackle Body and Pin
- Safety Factor: 5:1
- Finish: Hot Dip Galvanized or Electroplated
- Certification: Material Certificates and Testing Certificates available when requested at the time of order
- Package: Packing available with Carton Box or Gunny Bag

Item No.	Size	Working Load Limit (t)	Weight Each (kg)	Dimensions (mm)									Tolerance +/-
				A	B	C	D	E	F	G	K	P	
JCS282	M10	0.4	0.097	14	10	8	10	30	20	29.5	55	58	5%
JCS283	M12	0.6	0.181	17	12	10	12	37	24	35.5	66	68	5%
JCS284	M16	1	0.369	21	16	13	15	47	32	48.5	88	81	5%
JCS285	M20	1.6	0.788	27	20	17	19	61	40	60.5	110	104	5%
JCS286	M22	2	1.01	30	22	19	21	68	44	66.5	121	115	5%
JCS287	M24	2.5	1.458	33	24	21	23	75	48	72.5	132	127	5%
JCS288	M27	3	2.047	38	27	24	26	86	54	83	150	145	5%
JCS289	M30	4	2.72	42	30	27	29	96	60	90.5	165	156	5%
JCS290	M36	5	4.2	47	36	30	33	107	72	110.5	198	172	5%
JCS291	M39	6	5.66	53	39	34	37	121	78	119	215	189	5%
JCS292	M45	8	8.45	60	45	38	41	136	90	138.5	248	211	5%
JCS293	M48	10	10.8	66	48	42	45	150	96	146	264	240	5%
JCS294	M52	12	14.23	73	52	47	50	167	104	157	286	254	5%
JCS295	M60	16	21.93	81	60	52	55	185	120	183.5	330	285	5%
JCS296	M68	20	31.18	90	68	58	61	206	136	209.5	374	316	5%
JCS297	M72	25	36.73	100	72	63	67	226	144	219.5	396	341	5%
JCS298	M80	32	50	110	80	70	74	250	160	244.5	440	369	5%
JCS299	M90	40	71	125	90	79	84	283	180	274	495	409	5%
JCS300	M100	50	97.08	140	100	88	93	316	200	307	550	462	5%

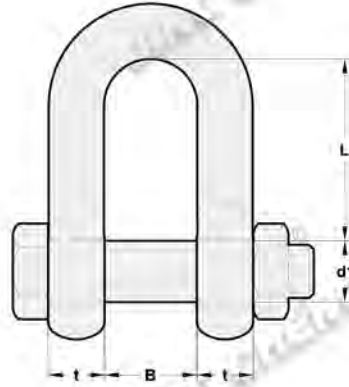
## JIS SHACKLE, TYPE BB



- Standard: Meet JIS BB Type
- Production Process: Drop Forged
- Material: Carbon Steel for Shackle Body and Pin
- Safety Factor: 4:1
- Finish: Hot Dip Galvanized or Electrogalvanized
- Certification: Material Certificates and Testing Certificates available when requested at the time of order
- Package: Packing available with Carton Box or Gunny Bag

Item No.	Size	Working Load Limit (t)	Dimensions (mm)							Tolerance +/-
			t	d	B	B1	D	d1	L	
JCS301	BB24	3.6	24	28	39	70	62	30	110.5	5%
JCS302	BB26	4.2	26	30	41	75	66	32	118.5	5%
JCS303	BB28	4.8	28	32	43	80	70	34	126.5	5%
JCS304	BB30	5.4	30	34	45	85	75	36	134.5	5%
JCS305	BB32	6.2	32	37	48	93	80	38	147.5	5%
JCS306	BB34	7	34	39	50	98	85	40	155.5	5%
JCS307	BB36	8	36	42	54	105	90	42	168.5	5%
JCS308	BB38	9	38	44	57	110	95	46	174.5	5%
JCS309	BB40	10	40	47	60	118	100	48	187.5	5%
JCS310	BB42	11	42	49	63	123	105	51	190.5	5%
JCS311	BB44	12	44	51	66	128	110	54	202	5%
JCS312	BB46	13	46	53	68	133	115	56	211	5%
JCS313	BB48	14	48	55	72	138	120	58	218	5%
JCS314	BB50	15	50	57	75	143	125	60	226	5%
JCS315	BB55	18	55	62	83	155	138	65	246.5	5%
JCS316	BB60	22	60	69	90	178	150	70	274	5%
JCS317	BB65	26	65	75	98	188	164	77	298.5	5%
JCS318	BB70	30	70	81	105	202	178	83	317.5	5%
JCS319	BB75	35	75	87	112	218	192	90	341	5%
JCS320	BB80	40	80	93	120	232	206	96	365	5%

## JIS SHACKLE, TYPE SB



- Standard: Meet JIS SB Type
- Production Process: Drop Forged
- Material: Carbon Steel for Shackle Body and Pin
- Safety Factor: 4:1
- Finish: Hot Dip Galvanized or Electroplated
- Certification: Material Certificates and Testing Certificates available when requested at the time of order
- Package: Packing available with Carton Box or Gunny Bag

Item No.	Size	Working Load Limit (t)	Dimensions (mm)						Tolerance +/-
			t	d	B	D	d1	L	
JCS321	SB20	2.5	20	20	31	50	24	67.5	5%
JCS322	SB22	3	22	22	34	55	26	103	5%
JCS323	SB24	3.6	24	24	39	62	30	110.3	5%
JCS324	SB26	4.2	26	26	41	66	32	118.5	5%
JCS325	SB28	4.8	28	28	43	70	34	126.5	5%
JCS326	SB30	5.4	30	30	45	75	36	134.5	5%
JCS327	SB32	6.2	32	32	48	80	38	147.5	5%
JCS328	SB34	7	34	34	50	85	39.5	155.5	5%
JCS329	SB36	8	36	36	54	90	41.5	168.5	5%
JCS330	SB38	9	38	38	57	95	46	174.5	5%
JCS331	SB40	10	40	40	60	100	48	187.5	5%
JCS332	SB42	11	42	42	63	105	51	190.5	5%
JCS333	SB44	12	44	44	66	110	54	202	5%
JCS334	SB46	13	46	46	68	115	56	211	5%
JCS335	SB48	14	48	48	72	120	58	218	5%
JCS336	SB50	15	50	50	75	125	60	226	5%
JCS337	SB55	18	55	55	83	138	65	246.5	5%
JCS338	SB60	22	60	60	90	150	70	274	5%
JCS339	SB65	26	65	65	98	164	77	298.5	5%
JCS340	SB70	30	70	70	105	178	83	317.5	5%
JCS341	SB75	35	75	75	112	192	90	341	5%
JCS342	SB80	40	80	80	120	206	96	365	5%
JCS343	SB85	45	85	85	128	220	102	388	5%
JCS344	SB90	50	90	90	135	232	108	418	5%

If you are in need of other types  
not listed in our catalogue  
please contact our sales department.



