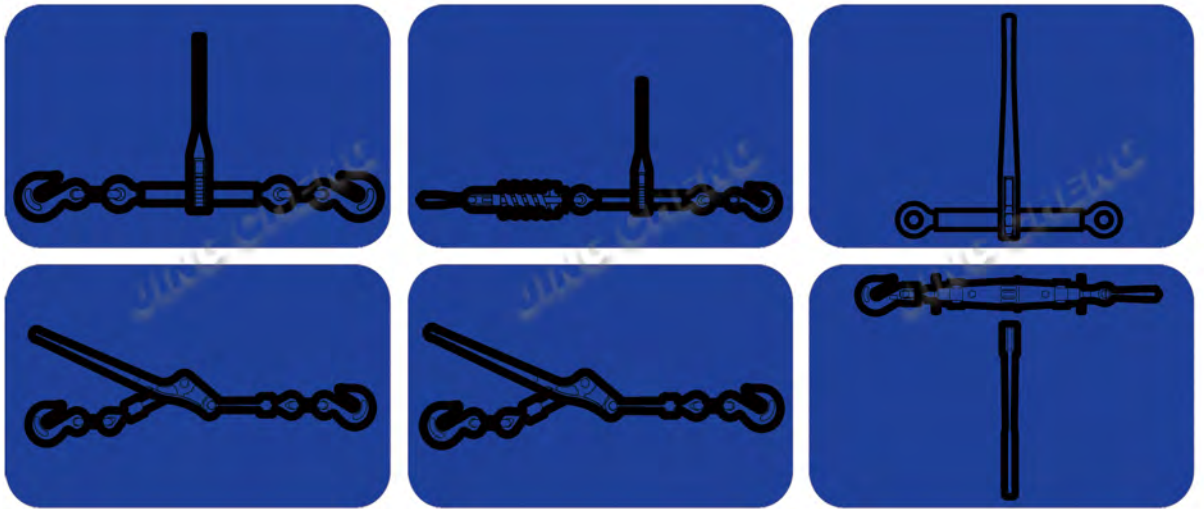


JINGCHENG

2022
FORGING

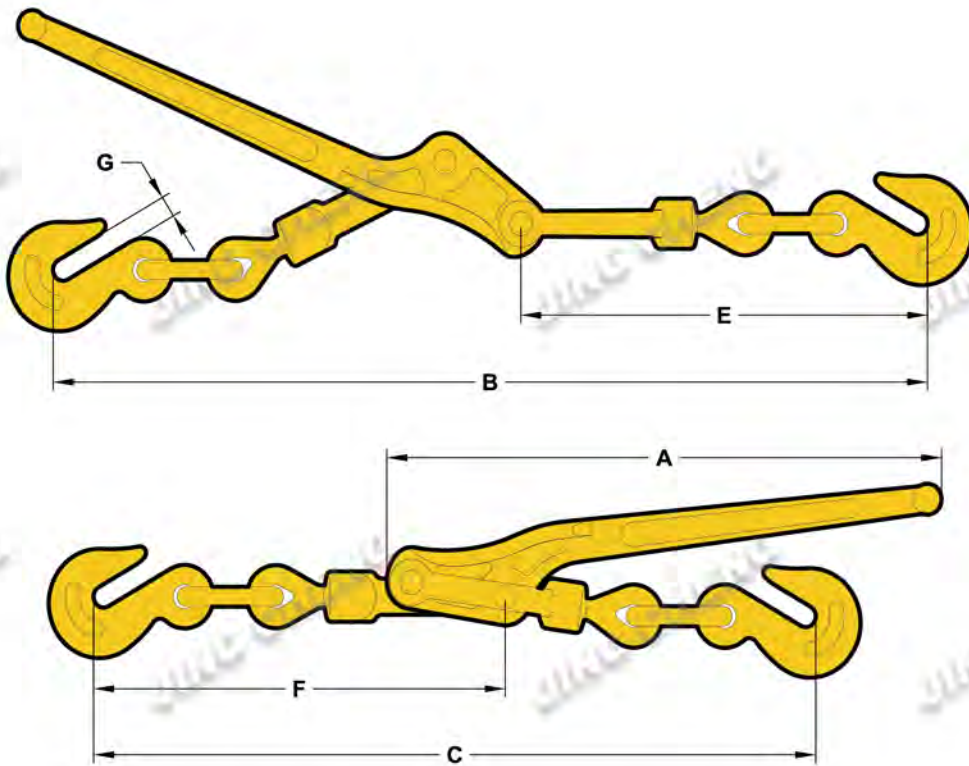
LOAD BINDER



Qingdao Jingcheng Forging Co., Ltd

www.qdjcforging.com

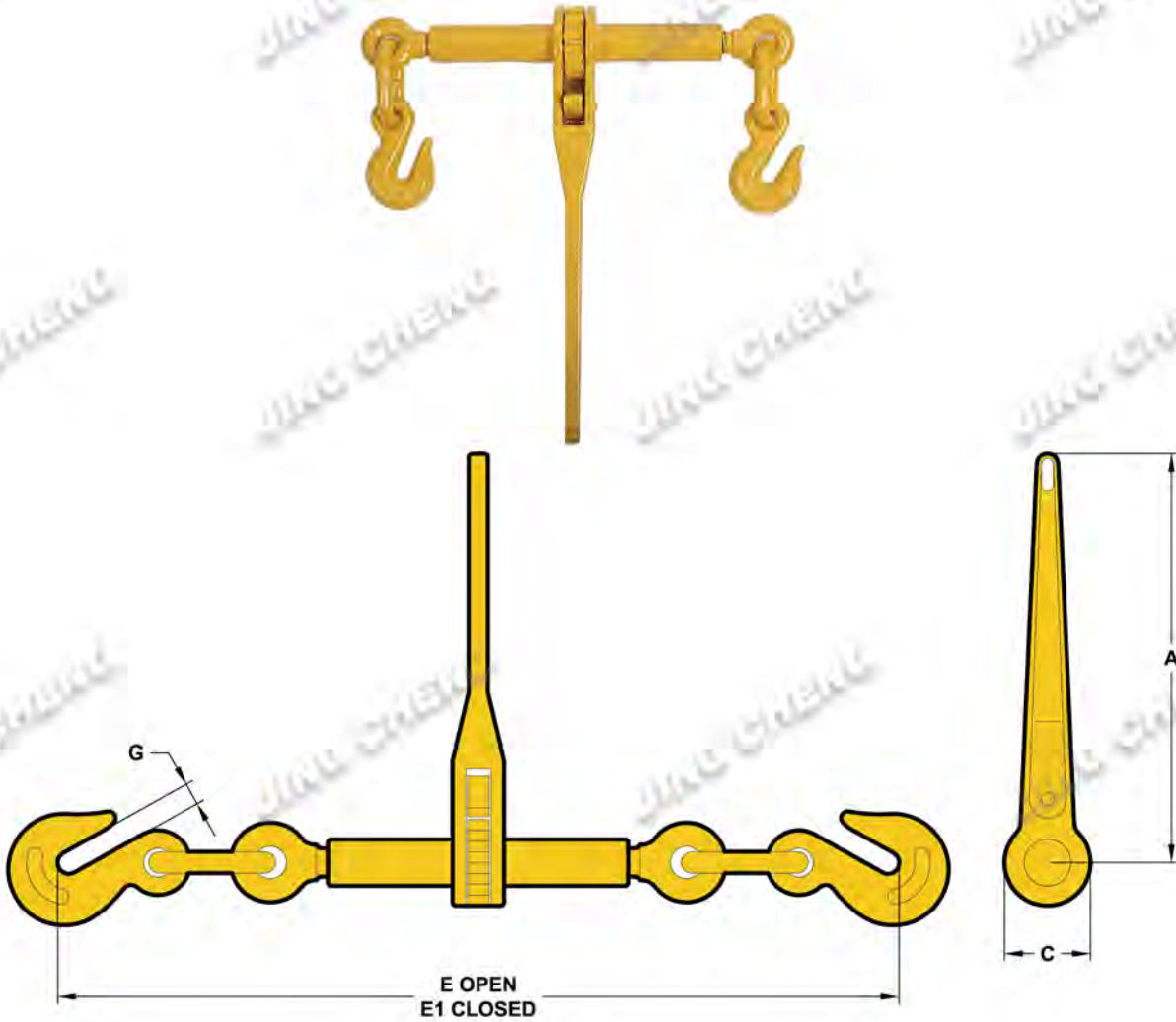
US TYPE STANDARD LEVER TYPE LOAD BINDER L150



- Meets or exceeds DOT and CVSA Cargo Securement Tie-Down Guideline
- Forged-Quenched and Tempered with 100% Proof Tested
- Powder Coated
- Material Certificates and Testing Certificates available when requested at the time of order
- Packing available with Carton Box

| Item No. | Size (in) | WLL (lbs) | MBL (lbs) | Weight (lbs) | Dimensions (in) | | | | | |
|----------|-----------|-----------|-----------|--------------|-----------------|-------|-------|-------|-------|------|
| | | | | | A | B | C | E | F | G |
| JCL001 | 1/4-5/16 | 2600 | 9100 | 3.63 | 12.05 | 17.32 | 14.37 | 8.46 | 8.23 | 0.39 |
| JCL002 | 5/16-3/8 | 5400 | 19000 | 7.93 | 15.75 | 23.90 | 19.80 | 11.30 | 11.22 | 0.50 |
| JCL003 | 5/16-3/8 | 6600 | 26400 | 8.15 | 15.75 | 24.49 | 20.39 | 11.60 | 11.52 | 0.50 |
| JCL004 | 3/8-1/2 | 9200 | 33000 | 12.56 | 17.36 | 27.36 | 22.24 | 12.80 | 12.76 | 0.65 |
| JCL005 | 1/2-5/8 | 13000 | 46000 | 20.26 | 20.39 | 33.39 | 27.36 | 15.55 | 15.39 | 0.73 |

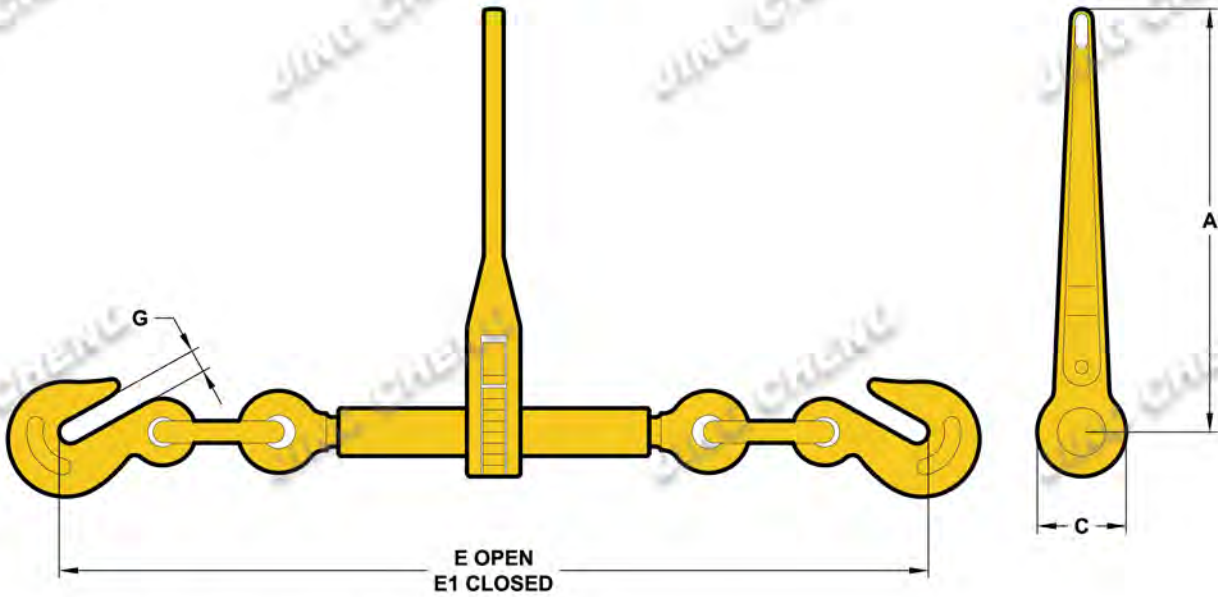
US TYPE STANDARD RATCHET TYPE LOAD BINDER L140



- Meets or exceeds DOT and CVSA Cargo Securement Tie-Down Guideline
- Available with Drop Forged or Casted Handle
- Forged-Quenched and Tempered with 100% Proof Tested
- Powder Coated
- Material Certificates and Testing Certificates available when requested at the time of order
- Packing available with Carton Box

| Item No. | Size (in) | WLL (lbs) | MBL (lbs) | Weight (lbs) | Dimensions (in) | | | | |
|----------|-----------|-----------|-----------|--------------|-----------------|------|-------|-------|------|
| | | | | | A | C | E | E1 | G |
| JCL006 | 1/4-5/16 | 2600 | 9100 | 3.68 | 8.27 | 1.65 | 17.52 | 22.64 | 0.39 |
| JCL007 | 5/16-3/8 | 5400 | 19000 | 10.36 | 13.98 | 2.56 | 22.95 | 29.29 | 0.50 |
| JCL008 | 5/16-3/8 | 6600 | 26400 | 10.56 | 13.98 | 2.56 | 23.54 | 29.88 | 0.50 |
| JCL009 | 5/16-3/8 | 8800 | 26400 | 10.95 | 13.98 | 2.56 | 23.54 | 29.88 | 0.50 |
| JCL010 | 3/8-1/2 | 9200 | 33000 | 11.24 | 13.98 | 2.56 | 23.74 | 30.24 | 0.65 |
| JCL011 | 3/8-1/2 | 15000 | 45000 | 11.69 | 13.98 | 2.56 | 24.45 | 30.95 | 0.65 |
| JCL012 | 1/2-5/8 | 13000 | 46000 | 15.83 | 13.98 | 2.56 | 27.17 | 33.86 | 0.73 |
| JCL013 | 5/8-3/4 | 20000 | 70000 | 28.60 | 13.98 | 2.56 | 31.61 | 39.29 | 0.93 |

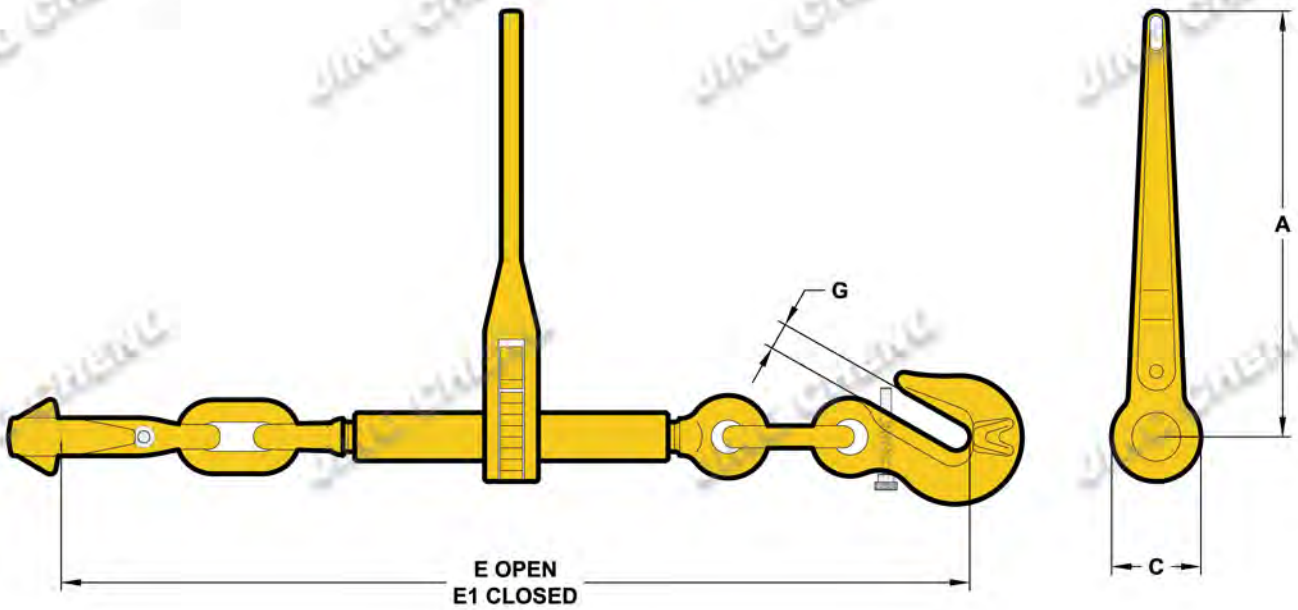
EUROPEAN STANDARD TYPE RATCHET LOAD BINDER



- Meets Performance Requirements of Europe Standard
- Forged-Quenched and Tempered with 100% Proof Tested
- Powder Coated
- Material Certificates and Testing Certificates available when requested at the time of order
- Packing available with Carton Box

| Item No. | Size | WLL (kgs) | MBL (kgs) | Weight (kgs) | Dimensions (mm) | | | | |
|----------|---------|-----------|-----------|--------------|-----------------|----|-----|-----|------|
| | | | | | A | C | E1 | E | G |
| JCL014 | 6mm | 1000 | 3500 | 1.65 | 210 | 42 | 415 | 526 | 10 |
| JCL015 | 8-10mm | 2400 | 8600 | 4.70 | 355 | 65 | 583 | 747 | 12.7 |
| JCL016 | 10-13mm | 4200 | 15000 | 5.10 | 355 | 65 | 603 | 768 | 16.5 |
| JCL017 | 13-16mm | 6000 | 20800 | 7.20 | 355 | 65 | 690 | 860 | 18.5 |
| JCL018 | 16-19mm | 9000 | 32000 | 12.00 | 356 | 82 | 790 | 988 | 23.5 |

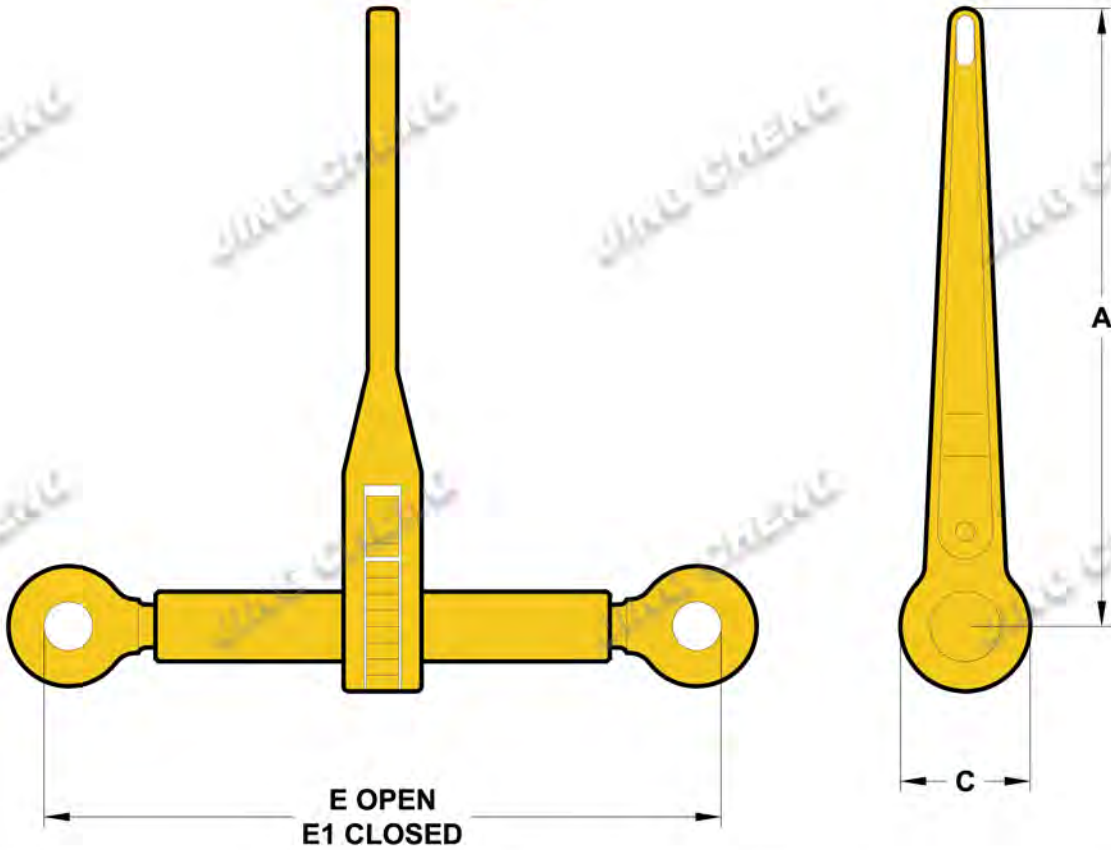
EN12195-3 TYPE RATCHET LOAD BINDER WITH SAFETY PIN



- Meets Performance Requirements of EN12195-3
- Forged-Quenched and Tempered with 100% Proof Tested
- Powder Coated
- Material Certificates and Testing Certificates available when requested at the time of order
- Packing available with Carton Box

| Item No. | Size | LC (kn) | BF (kn) | Weight (kg) | Dimensions (mm) | | | | |
|----------|------|---------|---------|-------------|-----------------|----|-----|-----|----|
| | | | | | A | C | E1 | E | G |
| JCL019 | 8mm | 40 | 80 | 4.9 | 355 | 65 | 590 | 754 | 11 |
| JCL020 | 10mm | 63 | 126 | 5.4 | 355 | 65 | 610 | 775 | 12 |
| JCL021 | 13mm | 100 | 212 | 7.5 | 355 | 65 | 700 | 870 | 15 |
| JCL022 | 16mm | 160 | 322 | 11 | 355 | 65 | 775 | 970 | 19 |

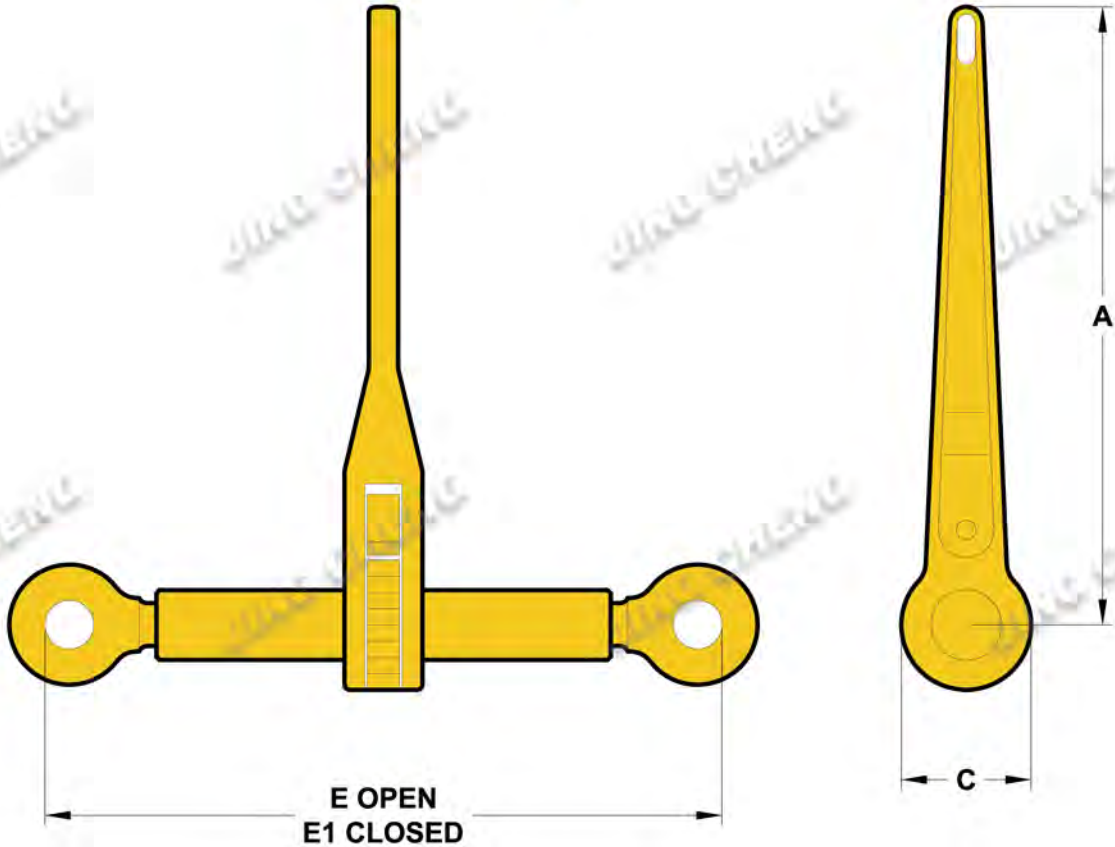
EUROPEAN STANDARD TYPE RATCHET LOAD BINDER WITHOUT LINK AND HOOK



- Meets Performance Requirements of Europe Standard
- Forged-Quenched and Tempered with 100% Proof Tested
- Powder Coated
- Material Certificates and Testing Certificates available when requested at the time of order
- Packing available with Carton Box

| Item No. | Size | WLL (kg) | MBL (kg) | Weight (kg) | Dimensions (in) | | | |
|----------|---------|----------|----------|-------------|-----------------|------|-------|-------|
| | | | | | A | C | E | E1 |
| JCL023 | 8-10mm | 2400 | 8600 | 3.40 | 13.98 | 2.56 | 20.00 | 13.54 |
| JCL024 | 10-13mm | 4200 | 15000 | 3.50 | 13.98 | 2.56 | 20.16 | 13.66 |
| JCL025 | 13-16mm | 6000 | 20800 | 4.20 | 13.98 | 2.56 | 21.61 | 14.92 |

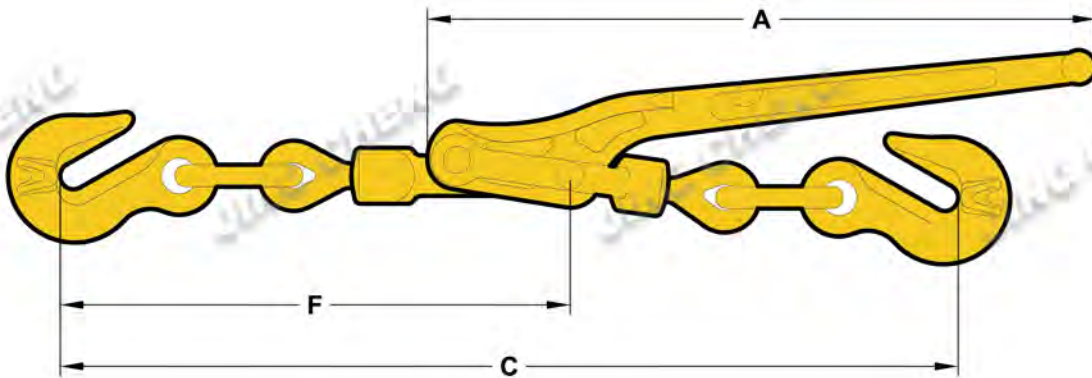
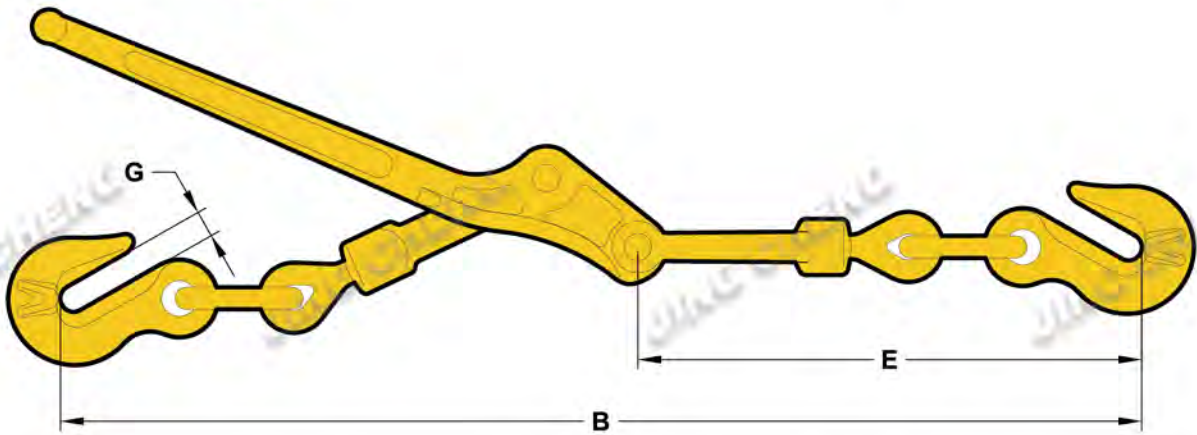
EN12195-3 TYPE RATCHET LOAD BINDER WITHOUT LINK AND HOOK



- Meets Performance Requirements of EN12195-3
- Forged-Quenched and Tempered with 100% Proof Tested
- Powder Coated
- Material Certificates and Testing Certificates available when requested at the time of order
- Packing available with Carton Box

| Item No. | Size | LC (KN) | BF (KN) | Weight (kg) | Dimensions (in) | | | |
|----------|------|---------|---------|-------------|-----------------|------|-------|-------|
| | | | | | A | C | E | E1 |
| JCL026 | 8mm | 40 | 80 | 3.40 | 13.98 | 2.56 | 20.00 | 13.54 |
| JCL027 | 10mm | 63 | 126 | 3.50 | 13.98 | 2.56 | 20.16 | 13.66 |
| JCL028 | 13mm | 100 | 212 | 4.20 | 13.98 | 2.56 | 21.61 | 14.92 |

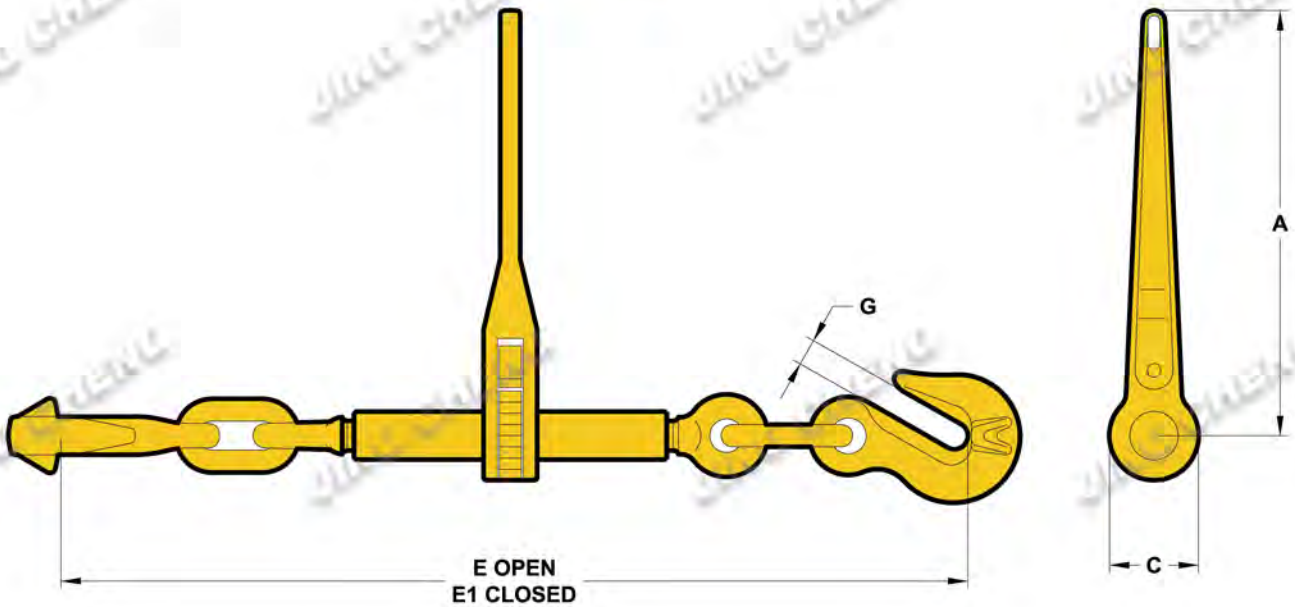
AUSTRALIA TYPE LEVER LOAD BINDER WITH WING HOOK



- Meets Performance Requirements of AS/NZ4344:2001 Standard
- Forged-Quenched and Tempered with 100% Proof Tested
- Powder Coated
- Material Certificates and Testing Certificates available when requested at the time of order
- Packing available with Carton Box

| Item No. | Size | WLL (kg) | MBL (kg) | Weight (kg) | Dimensions (mm) | | | | | |
|----------|-------|----------|----------|-------------|-----------------|-----|-----|-----|-----|----|
| | | | | | A | B | C | E | F | G |
| JCL029 | 6mm | 2300 | 4600 | 1.68 | 306 | 440 | 365 | 215 | 209 | 10 |
| JCL030 | 7-8mm | 3800 | 8600 | 3.85 | 400 | 614 | 510 | 287 | 285 | 11 |
| JCL031 | 10mm | 6000 | 12000 | 5.8 | 441 | 702 | 572 | 325 | 324 | 12 |
| JCL032 | 13mm | 9000 | 18000 | 9.35 | 518 | 858 | 705 | 395 | 391 | 15 |

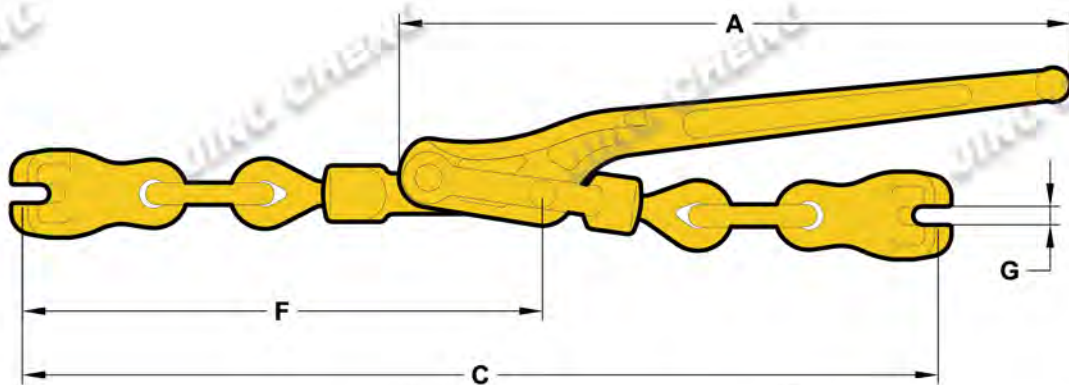
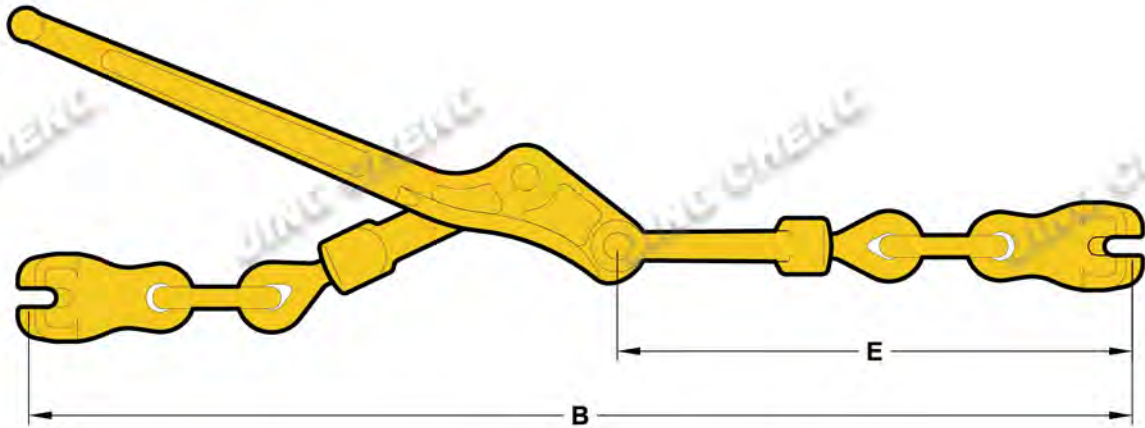
AUSTRALIA TYPE RATCHET LOAD BINDER WITH WING HOOK



- Meets Performance Requirements of AS/NZ4344:2001 Standard
- Forged-Quenched and Tempered with 100% Proof Tested
- Powder Coated
- Material Certificates and Testing Certificates available when requested at the time of order
- Packing available with Carton Box

| Item No. | Size | WLL (kg) | MBL (kg) | Weight (kg) | Dimensions (mm) | | | | |
|----------|-------|----------|----------|-------------|-----------------|----|-----|-----|----|
| | | | | | A | C | E1 | E | G |
| JCL033 | 6mm | 2300 | 4600 | 1.69 | 210 | 42 | 415 | 528 | 10 |
| JCL034 | 7-8mm | 3800 | 8600 | 4.9 | 355 | 65 | 590 | 754 | 11 |
| JCL035 | 10mm | 6000 | 12000 | 5.4 | 355 | 65 | 610 | 775 | 12 |
| JCL036 | 13mm | 9000 | 18000 | 7.5 | 355 | 65 | 700 | 870 | 15 |

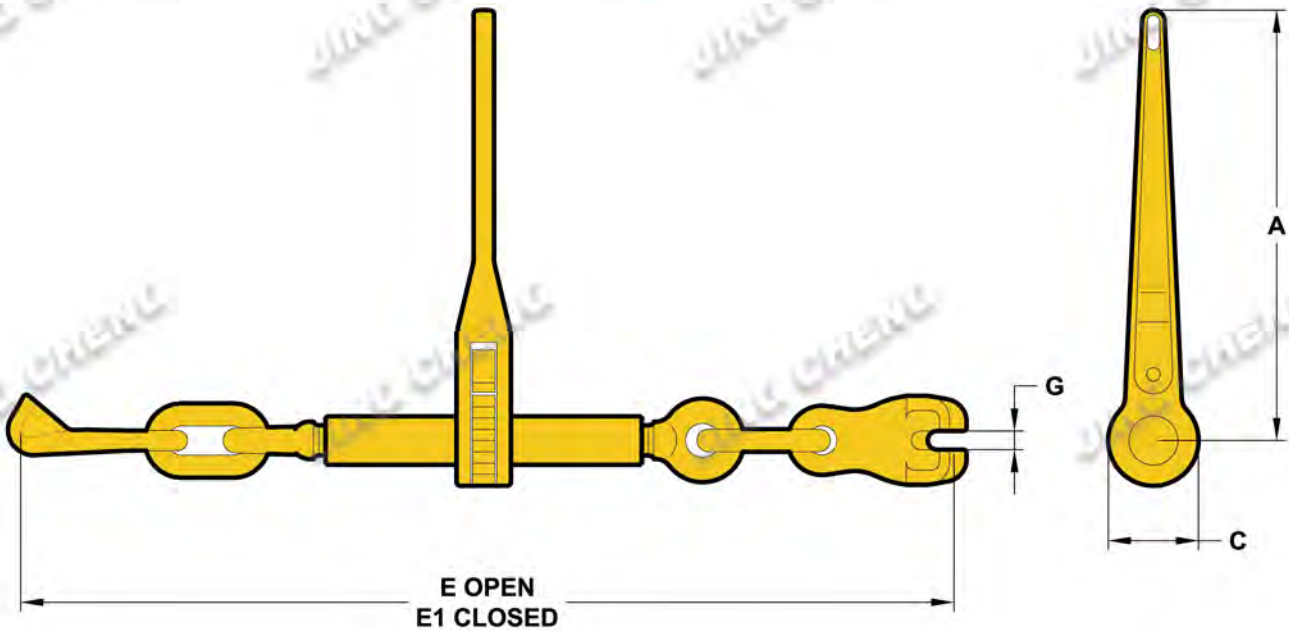
AUSTRALIA TYPE LEVER LOAD BINDER WITH CLAW HOOK



- Meets Performance Requirements of AS/NZ4344:2001 Standard
- Forged-Quenched and Tempered with 100% Proof Tested
- Powder Coated
- Material Certificates and Testing Certificates available when requested at the time of order
- Packing available with Carton Box

| Item No. | Size | WLL (kg) | MBL (kg) | Weight (kg) | Dimensions (mm) | | | | | |
|----------|-------|----------|----------|-------------|-----------------|-----|-----|-----|-----|------|
| | | | | | A | B | C | E | F | G |
| JCL037 | 7-8mm | 3800 | 8600 | 3.8 | 400 | 633 | 529 | 300 | 298 | 9.5 |
| JCL038 | 10mm | 6000 | 12000 | 5.8 | 441 | 735 | 605 | 345 | 344 | 11.5 |

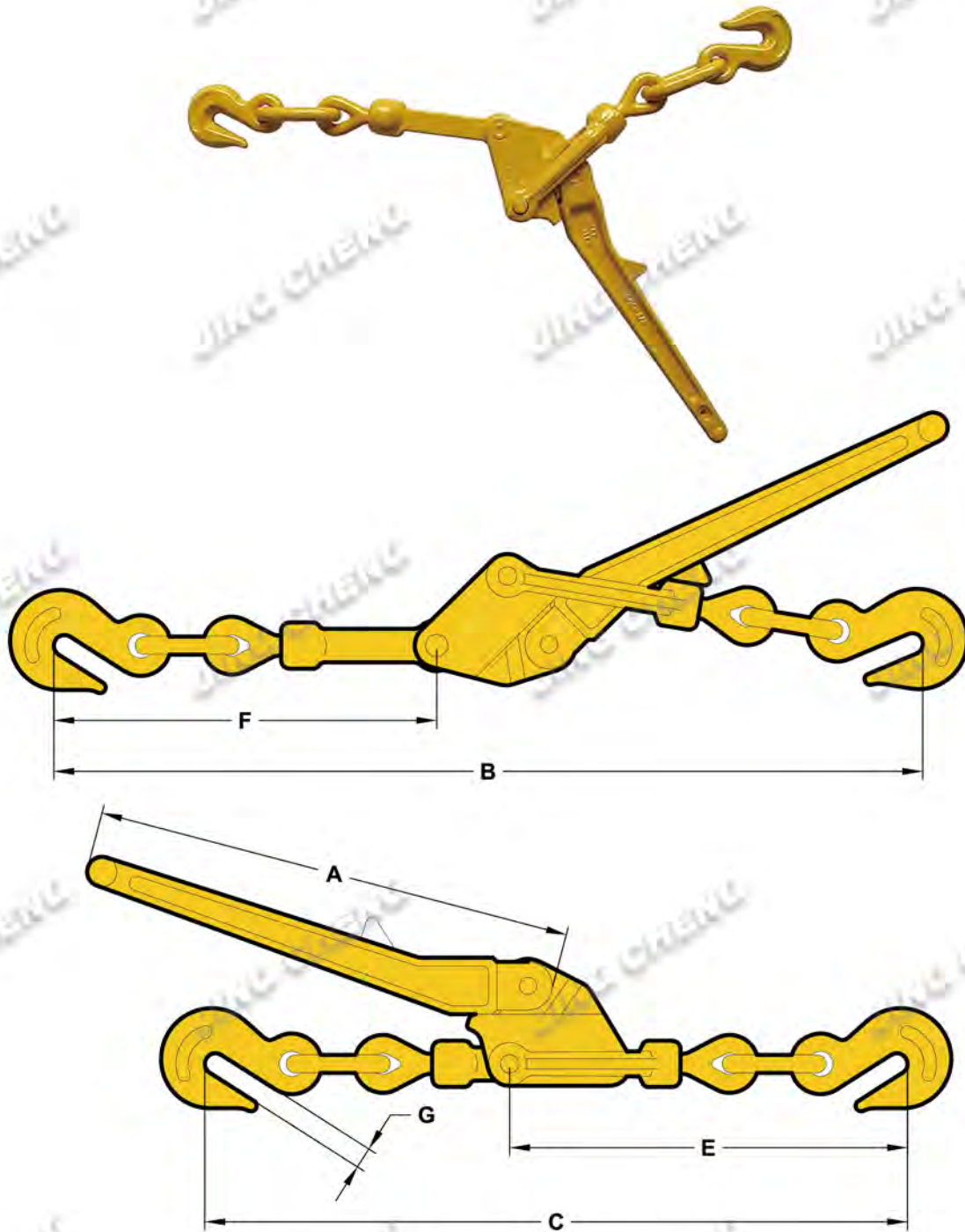
AUSTRALIA TYPE RATCHET LOAD BINDER WITH CLAW HOOK



- Meets Performance Requirements of AS/NZ4344: 2001 Standard
- Forged-Quenched and Tempered with 100% Proof Tested
- Powder Coated
- Material Certificates and Testing Certificates available when requested at the time of order
- Packing available with Carton Box

| Item No. | Size | WLL (kg) | MBS (kg) | Weight (kg) | Dimensions (mm) | | | | |
|----------|-------|----------|----------|-------------|-----------------|----|-----|-----|------|
| | | | | | A | C | E | E1 | G |
| JCL039 | 7-8mm | 3800 | 8600 | 4.8 | 355 | 65 | 609 | 773 | 9.5 |
| JCL040 | 10mm | 6000 | 12000 | 5.1 | 355 | 65 | 644 | 809 | 11.5 |

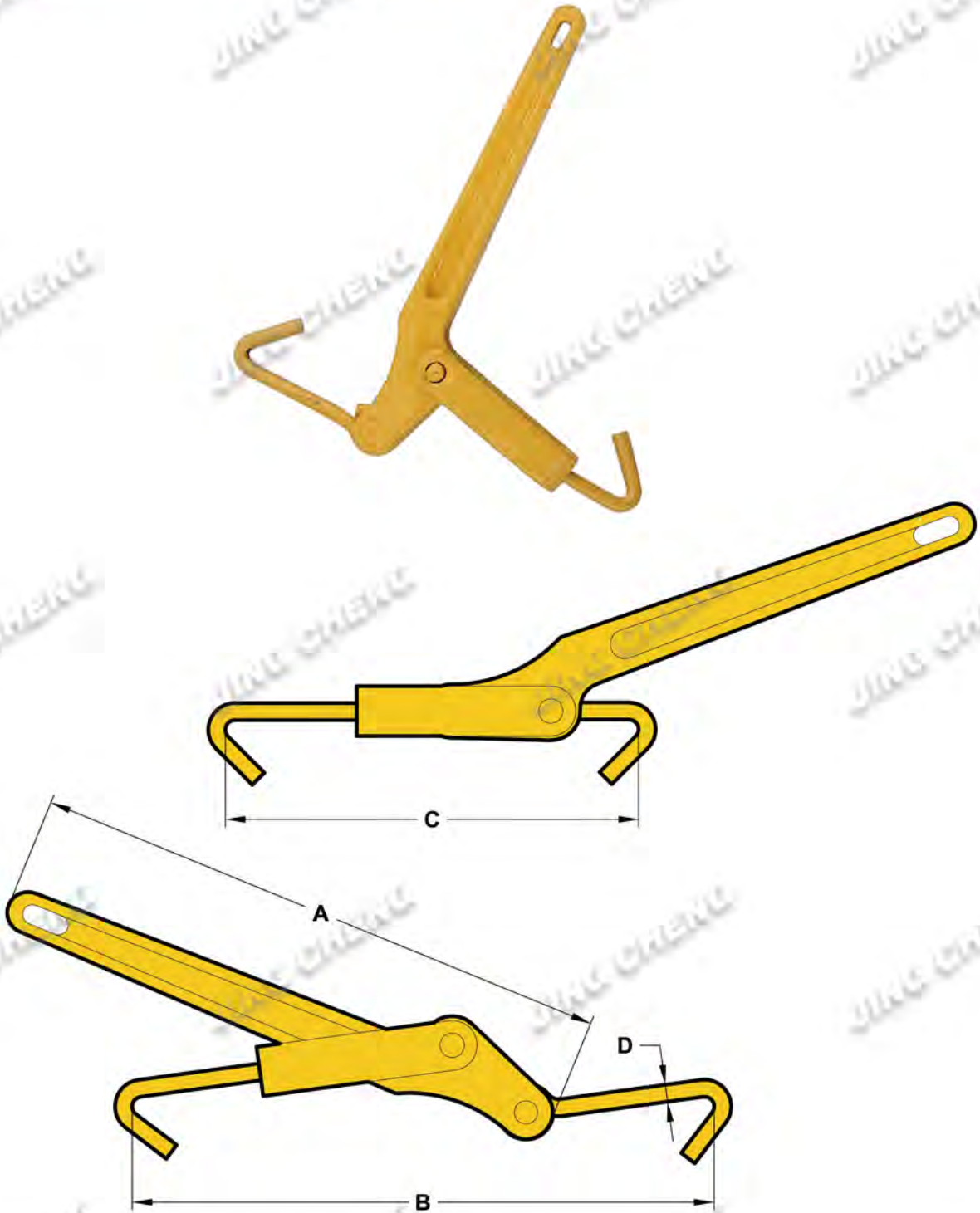
US TYPE RECOILESS LEVER LOAD BINDER



- Meets or exceeds DOT and CVSA Cargo Securement Tie-Down Guideline
- Forged-Quenched and Tempered with 100% Proof Tested
- Powder Coated or Yellow Chromate
- Material Certificates and Testing Certificates available when requested at the time of order
- Packing available with Carton Box

| Item No. | Size (in) | WLL (lbs) | MBL (lbs) | Weight (lbs) | Dimensions (in) | | | | | |
|----------|-----------|-----------|-----------|--------------|-----------------|-------|-------|-------|-------|------|
| | | | | | A | B | C | E | F | G |
| JCL041 | 5/16-3/8 | 5400 | 19000 | 9.46 | 12.99 | 23.94 | 19.76 | 11.30 | 11.22 | 0.50 |
| JCL042 | 3/8-1/2 | 9200 | 33000 | 14.51 | 19.33 | 28.27 | 23.46 | 12.80 | 12.76 | 0.65 |

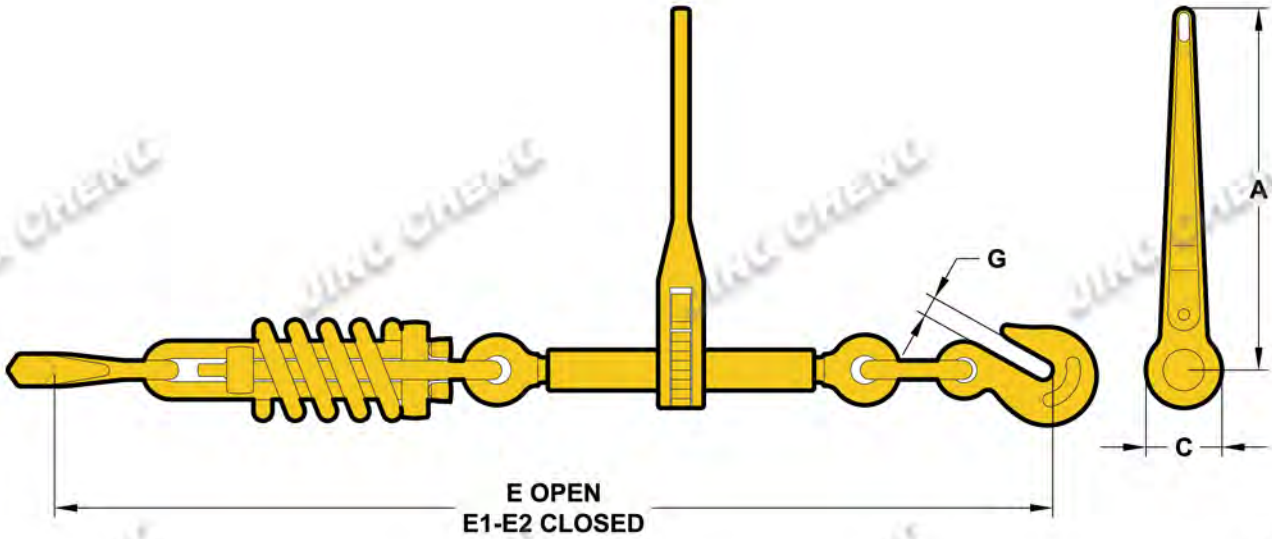
US TYPE LIGHT LEVER LOAD BINDER



- Meets or exceeds DOT and CVSA Cargo Securement Tie-Down Guideline
- Forged-Quenched and Tempered with 100% Proof Tested
- Powder Coated
- Material Certificates and Testing Certificates available when requested at the time of order
- Packing available with Carton Box

| Item No. | Size (mm) | WLL (kg) | MBL (kg) | Weight (kg) | Dimensions (in) | | | |
|----------|-----------|----------|----------|-------------|-----------------|------|-----|-------|
| | | | | | A | B | C | D |
| JCL043 | 250 | 250 | 500 | 1.43 | 9.5 | 9.37 | 6.5 | 0.275 |
| JCL044 | 375 | 275 | 750 | 1.52 | 9.5 | 9.37 | 6.5 | 0394 |

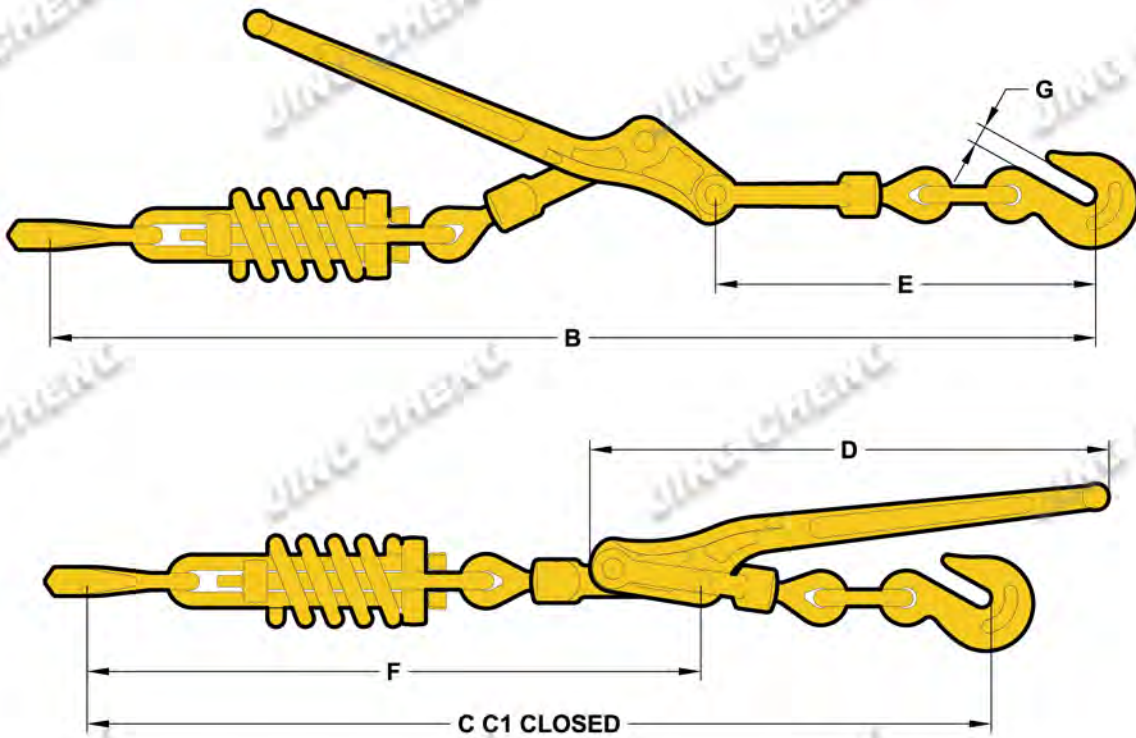
US TYPE SPRING RATCHET LOAD BINDER



- Meets or exceeds DOT and CVSA Cargo Securement Tie-Down Guideline
- Forged-Quenched and Tempered with 100% Proof Tested
- Powder Coated or Yellow Chromate
- Material Certificates and Testing Certificates available when requested at the time of order
- Packing available with Carton Box

| Item No. | Size (in) | WLL (lbs) | MBL (lbs) | Weight (lbs) | Dimensions (in) | | | | | |
|----------|-----------|-----------|-----------|--------------|-----------------|------|-------|-------|-------|------|
| | | | | | A | C | E | E1 | E2 | G |
| JCL045 | 5/16-3/8 | 5400 | 19000 | 18.32 | 13.98 | 2.56 | 30.82 | 37.16 | 38.26 | 0.50 |
| JCL046 | 3/8-1/2 | 9200 | 33000 | 19.2 | 13.98 | 2.56 | 31.61 | 38.11 | 39.21 | 0.65 |

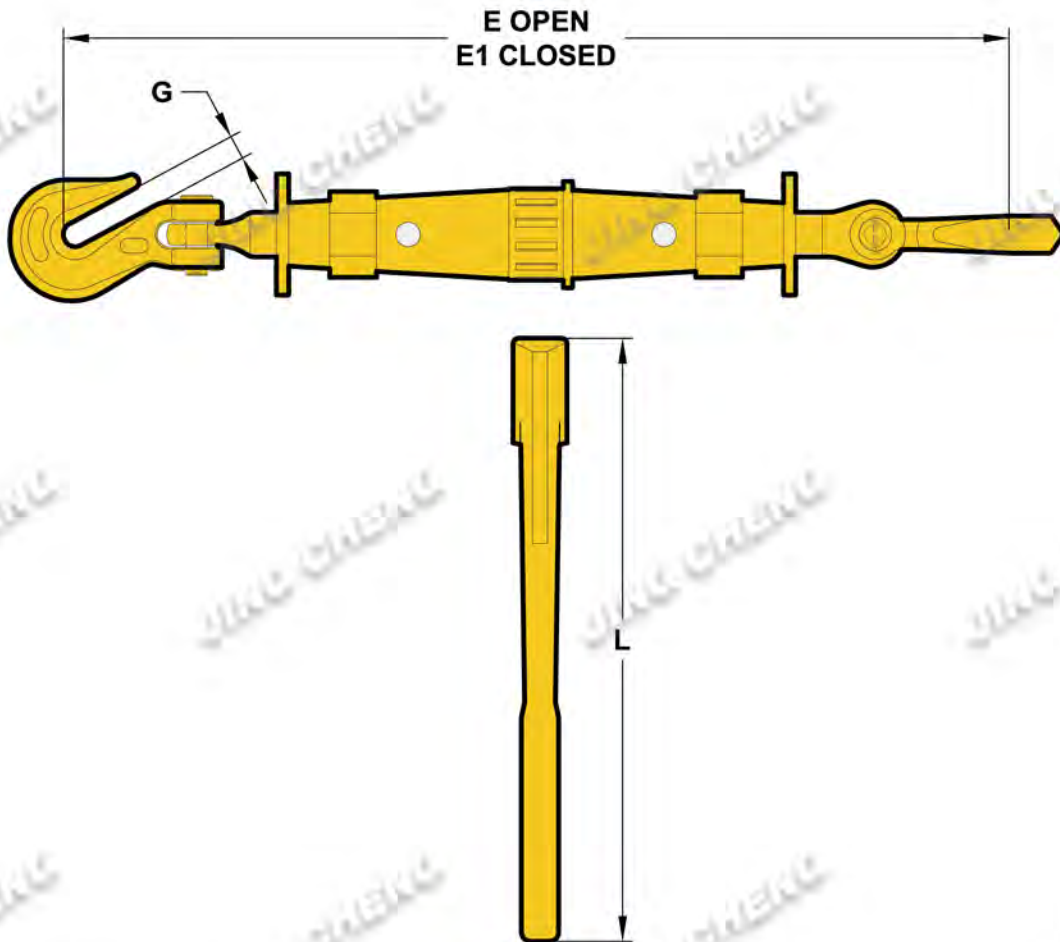
US TYPE SPRING LEVER LOAD BINDER



- Meets or exceeds DOT and CVSA Cargo Securement Tie-Down Guideline
- Forged-Quenched and Tempered with 100% Proof Tested
- Powder Coated or Yellow Chromate
- Material Certificates and Testing Certificates available when requested at the time of order
- Packing available with Carton Box

| Item No. | Size (in) | WLL (lbs) | MBL (lbs) | Weight (lbs) | Dimensions (in) | | | | | | |
|----------|-----------|-----------|-----------|--------------|-----------------|-------|-------|-------|-------|-------|------|
| | | | | | B | C | C1 | D | E | F | G |
| JCL047 | 5/16-3/8 | 5400 | 19000 | 14.96 | 31.77 | 27.67 | 28.77 | 15.75 | 11.30 | 19.09 | 0.50 |
| JCL048 | 3/8-1/2 | 9200 | 33000 | 19.36 | 35.23 | 30.11 | 31.21 | 17.36 | 12.80 | 20.63 | 0.65 |

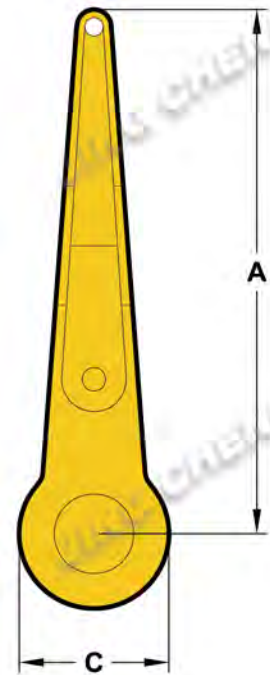
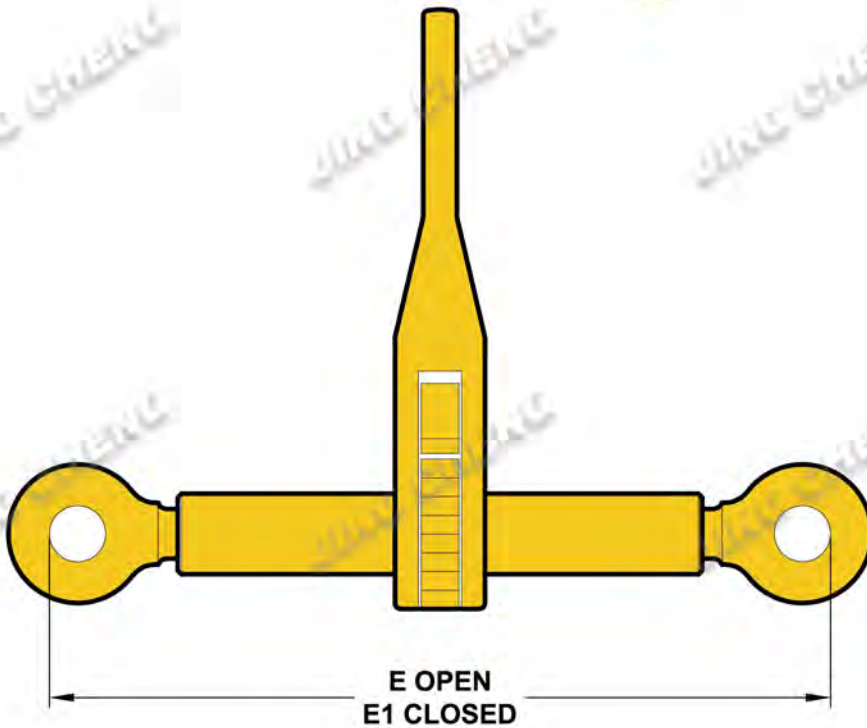
US TYPE REMOVABLE HANDLE RATCHET LOAD BINDER



- Meets or exceeds DOT and CVSA Cargo Securement Tie-Down Guideline
- Forged-Quenched and Tempered with 100% Proof Tested
- Powder Coated or Yellow Chromate
- Material Certificates and Testing Certificates available when requested at the time of order
- Packing available with Carton Box

| Item No. | Size (in) | WLL (lbs) | MBL (lbs) | Weight (lbs) | Dimensions (in) | | | |
|----------|-----------|-----------|-----------|--------------|-----------------|------|-------|-------|
| | | | | | L | G | E | E1 |
| JCL049 | 5/16-3/8 | 5400 | 19000 | 10.6 | 12.64 | 0.51 | 25.91 | 18.43 |

EN12195-3 TYPE SHORT HANDLE RATCHET LOAD BINDER



- Meets Performance Requirements of EN12195-3
- Available with Wing Hook and Safety Pin or without Link and Hook
- Forged-Quenched and Tempered with 100% Proof Tested
- Powder Coated or Yellow Chromate
- Material Certificates and Testing Certificates available when requested at the time of order
- Packing available with Carton Box

| Item No. | Size | LC (kn) | BF (kn) | Weight (kg) | Dimensions (in) | | | |
|----------|------|---------|---------|-------------|-----------------|----|-----|-----|
| | | | | | A | C | E1 | E |
| JCL050 | 8mm | 40 | 80 | 3.05 | 198 | 65 | 508 | 344 |
| JCL051 | 10mm | 63 | 126 | 3.12 | 228 | 65 | 512 | 347 |

If you are in need of other types
not listed in our catalogue
please contact our sales department.



OTHER LOAD BINDER

