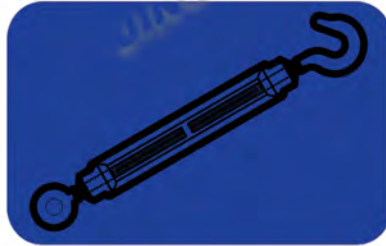
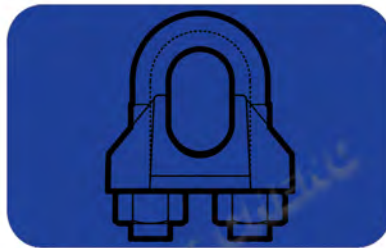


**JINGCHENG**

2022  
FORGING

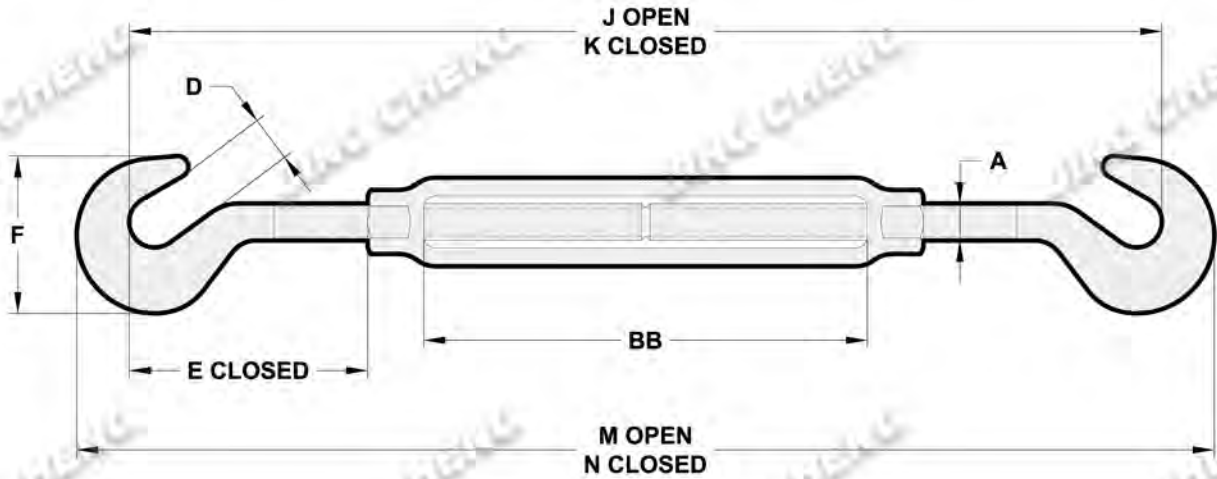
# **WIRE ROPE END TERMINATIONS**



**Qingdao Jingcheng Forging Co., Ltd**

[www.qdjcforging.com](http://www.qdjcforging.com)

## US TYPE FORGED TURNBUCKLE WITH HOOK & HOOK

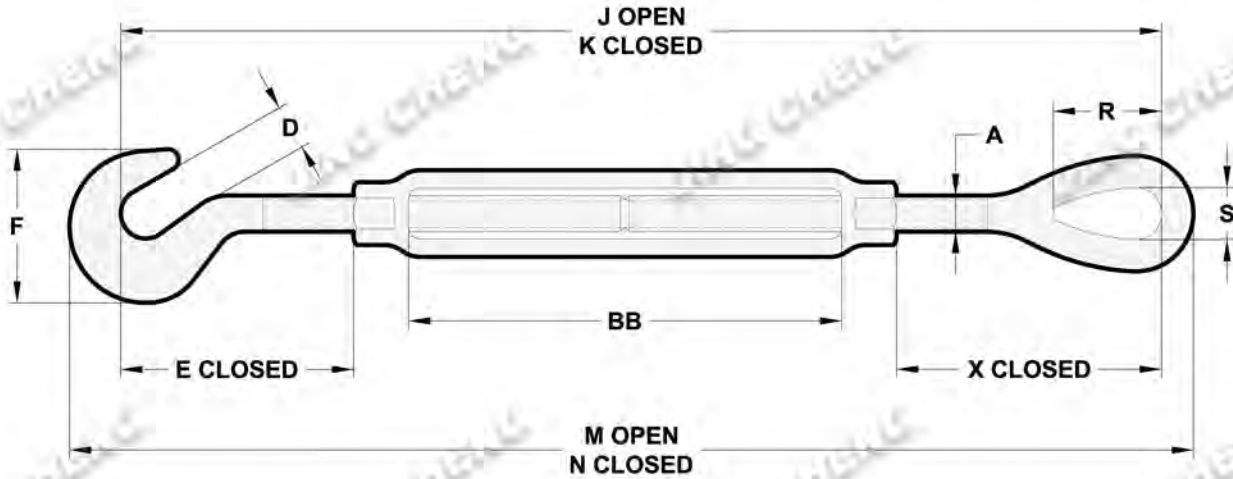


- Meet Performance requirements of US Fed. Spec. FF-T-791b, Type 1, Form 1, Class 5 and ASTM F-1145
- Material: Carbon 1045 Steel
- Ultimate Load at 5 Times the Working Load Limit
- Finish: Hot Dip Galvanized according to ASTM A153
- Packing available with Carton Box or Gunny Bag

Item No.	Thread Dia. & Take Up (in)	Working Load Limit (lbs)	Weight Each (lbs)	Dimensions (in)								
				A	D	E Closed	F	J Open	K Closed	M Open	N Closed	BB
JCW001	1/4 x 4	400	0.3	0.25	0.45	1.59	1.27	11.12	7.12	11.94	7.94	4
JCW002	5/16 x 4-1/2	700	0.47	0.31	0.50	1.94	1.5	12.81	8.31	13.81	9.31	4.5
JCW003	3/8 x 6	1000	0.78	0.38	0.56	2.3	1.77	16.5	10.5	17.72	11.72	6
JCW004	1/2 x 6	1500	1.6	0.50	0.65	2.94	2.28	18.82	11.82	20.38	13.38	6
JCW005	1/2 x 12	1500	2.28	0.50	0.65	2.94	2.28	30.82	17.82	32.38	19.38	12
JCW006	5/8 x 6	2250	2.75	0.63	0.90	3.69	2.81	20.5	13.25	22.5	15.25	6
JCW007	5/8 x 12	2250	3.5	0.63	0.90	3.69	2.81	32.5	19.25	34.5	21.25	12
JCW008	3/4 x 6	3000	3.89	0.75	0.98	4.52	3.33	22.38	14.88	24.78	17.28	6
JCW009	3/4 x 12	3000	5.43	0.75	0.98	4.52	3.33	34.38	20.88	36.78	23.28	12
JCW010	3/4 x 18	3000	8.12	0.75	0.98	4.52	3.33	46.38	26.88	48.78	29.28	18
JCW011	7/8 x 12	4000	8.1	0.88	1.13	5.19	3.78	36	22.25	38.75	25.00	12
JCW012	1 x 12	5000	11.93	1.00	1.25	5.84	4.25	37.63	23.63	40.69	26.69	12
JCW013	1 x 18	5000	14	1.00	1.25	5.84	4.25	49.63	29.63	52.69	32.69	18
JCW014	1 x 24	5000	17.25	1.00	1.25	5.84	4.25	61.63	35.63	64.69	38.69	24
JCW015	1 -1/4 x 12	6500	20.58	1.25	1.50	7.22	5.13	40.44	25.94	44.06	29.56	12
JCW016	1 -1/4 x 18	6500	23	1.25	1.50	7.22	5.13	52.44	31.94	56.06	35.56	18
JCW017	1 -1/4 x 24	6500	27	1.25	1.50	7.22	5.13	64.44	37.94	68.06	41.56	24
JCW018	1 -1/2 x 12	7500	27.5	1.5	1.88	8.34	5.75	43.94	28.94	47.44	32.44	12
JCW019	1 -1/2 x 18	7500	31	1.5	1.88	8.34	5.75	55.96	34.94	59.44	38.44	18
JCW020	1 -1/2 x 24	7500	37.5	1.5	1.88	8.34	5.75	67.94	40.94	71.44	44.44	24



## US TYPE FORGED TURNBUCKLE WITH HOOK & EYE

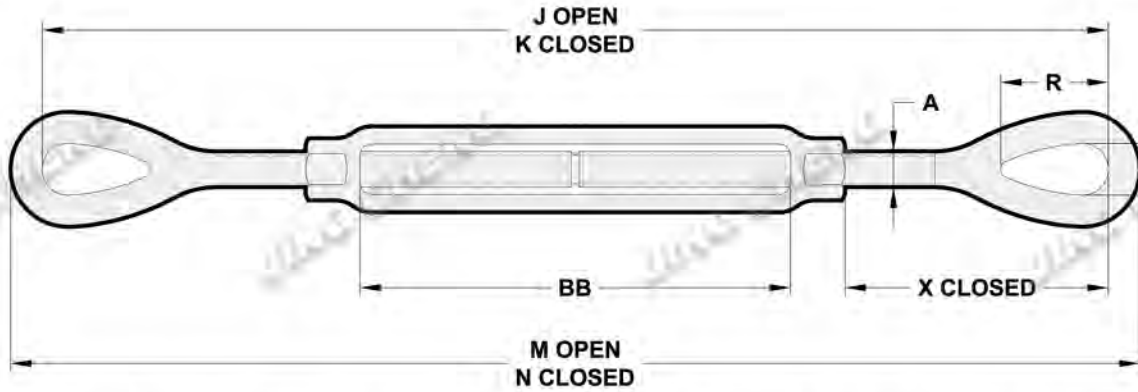


- Meet Performance requirements of US Fed. Spec. FF-T-791b, Type 1, Form 1, Class 5 and ASTM F-1145
- Material: Carbon 1045 Steel
- Ultimate Load at 5 Times the Working Load Limit
- Finish: Hot Dip Galvanized according to ASTM A153
- Packing available with Carton Box or Gunny Bag

Item No.	Thread Dia. & Take Up (in)	Working Load Limit (lbs)	Weight Each (lbs)	Dimensions (in)											
				A	D	E Closed	F	J Open	K Closed	M Open	N Closed	R	S	X Closed	BB
JCW021	1/4 x 4	400	0.29	0.25	0.45	1.59	1.27	11.46	7.46	12.09	8.09	0.78	0.34	1.75	4
JCW022	5/16 x 4-1/2	700	0.49	0.31	0.50	1.94	1.5	13.19	8.69	13.47	9.47	0.94	0.44	2.09	4.5
JCW023	3/8 x 6	1000	0.78	0.38	0.56	2.3	1.77	16.98	10.98	17.94	11.94	1.12	0.53	2.52	6
JCW024	1/2 x 6	1500	1.61	0.50	0.65	2.94	2.28	19.45	12.45	20.67	13.67	1.44	0.72	3.23	6
JCW025	1/2 x 12	1500	2.26	0.50	0.65	2.94	2.28	31.45	18.45	32.67	19.67	1.44	0.72	3.23	12
JCW026	5/8 x 6	2250	2.70	0.63	0.90	3.69	2.81	21.96	13.96	22.72	15.47	1.75	0.88	3.9	6
JCW027	5/8 x 12	2250	3.78	0.63	0.90	3.69	2.81	33.21	19.96	34.72	21.47	1.75	0.88	3.9	12
JCW028	3/4 x 6	3000	3.89	0.75	0.98	4.52	3.33	23.13	15.63	24.95	17.45	2.09	1	4.69	6
JCW028	3/4 x 12	3000	5.83	0.75	0.98	4.52	3.33	35.13	21.63	36.95	23.45	2.09	1	4.69	12
JCW029	3/4 x 18	3000	6.33	0.75	0.98	4.52	3.33	47.13	27.63	48.95	29.45	2.09	1	4.69	18
JCW030	7/8 x 12	4000	8.1	0.88	1.13	5.19	3.78	36.53	22.78	38.66	24.91	2.38	1.25	5.1	12
JCW031	1 x 12	5000	11.93	1.00	1.25	5.84	4.25	38.8	24.8	41.2	27.2	3	1.44	6.36	12
JCW032	1 x 18	5000	14	1.00	1.25	5.84	4.25	50.8	30.8	53.2	33.2	3	1.44	6.36	18
JCW033	1 x 24	5000	17.25	1.00	1.25	5.84	4.25	62.8	36.8	65.2	39.2	3	1.44	6.36	24
JCW034	1 -1/4 x 12	6500	19	1.25	1.50	7.22	5.13	41.63	27.13	44.56	30.06	3.56	1.81	7.72	12
JCW035	1 -1/4 x 18	6500	23	1.25	1.50	7.22	5.13	53.63	33.13	56.56	36.06	3.56	1.81	7.72	18
JCW036	1 -1/4 x 24	6500	24	1.25	1.50	7.22	5.13	65.63	39.13	68.56	42.06	3.56	1.81	7.72	24
JCW037	1 -1/2 x 12	7500	27.5	1.5	1.88	8.34	5.75	44.72	29.72	47.72	32.72	4.06	2.12	8.62	12
JCW038	1 -1/2 x 18	7500	31	1.5	1.88	8.34	5.75	59.72	35.72	59.72	38.72	4.06	2.12	8.62	18
JCW039	1 -1/2 x 24	7500	37.5	1.5	1.88	8.34	5.75	71.72	41.72	71.72	44.72	4.06	2.12	8.62	24



## US TYPE FORGED TURNBUCKLE WITH EYE & EYE

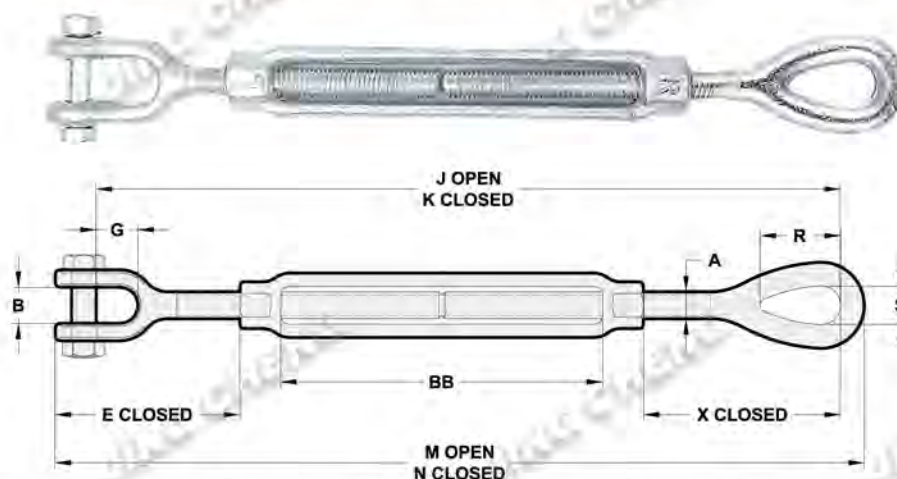


- Meet Performance requirements of US Fed. Spec. FF-T-791b, Type 1, Form 1, Class 5 and ASTM F-1145
- Material: Carbon 1045 Steel
- Ultimate Load at 5 Times the Working Load Limit
- Finish: Hot Dip Galvanized according to ASTM A153
- Packing available with Carton Box or Gunny Bag

Item No.	Thread Dia. & Take Up (in)	Working Load Limit (lbs)	Weight Each (lbs)	Dimensions (in)								
				A	J Open	K Closed	M Open	N Closed	R	S	X Closed	BB
JCW040	1/4 × 4	500	0.29	0.25	11.94	7.94	12.38	8.38	0.81	0.34	1.76	4.07
JCW041	5/16 × 4-1/2	800	0.48	0.31	13.92	9.42	14.48	9.98	0.95	0.44	2.20	4.58
JCW042	3/8 × 6	1200	0.75	0.38	17.56	11.56	18.24	12.24	1.13	0.53	2.48	6.10
JCW043	1/2 × 6	2200	1.72	0.50	19.94	13.94	20.82	14.82	1.41	0.71	3.56	6.03
JCW044	1/2 × 12	2200	2.63	0.50	32.23	20.23	33.11	21.11	1.41	0.71	3.54	12.36
JCW045	5/8 × 6	3500	2.75	0.63	21.72	15.72	22.72	16.72	1.80	0.88	4.35	6.03
JCW046	5/8 × 12	3500	4.12	0.63	34.06	22.06	35.06	23.06	1.80	0.88	4.34	12.39
JCW047	3/4 × 6	5200	4.22	0.75	23.24	17.24	24.50	18.50	2.09	1.00	5.12	6.13
JCW048	3/4 × 12	3500	6.12	0.75	35.64	23.64	36.90	24.90	2.09	1.00	5.09	12.59
JCW049	3/4 × 18	3500	7.83	0.75	47.64	29.64	48.90	30.90	2.09	1.00	5.12	18.53
JCW050	7/8 × 12	7200	8.83	0.88	36.70	24.70	38.20	26.20	2.38	1.25	5.79	12.16
JCW051	7/8 × 18	7200	11.5	0.88	49.17	31.17	50.67	32.67	2.38	1.25	5.79	18.63
JCW052	1 × 6	10000	9.62	1.00	26.24	20.24	28.00	22.00	3.00	1.43	6.50	6.18
JCW053	1 × 12	10000	13.0	1.00	38.24	26.24	40.00	28.00	3.00	1.43	6.50	12.18
JCW054	1 × 18	10000	16.3	1.00	50.24	32.24	52.00	34.00	3.00	1.43	6.50	18.18
JCW055	1 × 24	10000	20.2	1.00	62.84	38.84	64.60	40.60	3.00	1.43	6.47	24.84
JCW056	1-1/4 × 12	15200	19.9	1.25	42.14	30.14	44.38	32.38	3.59	1.82	8.49	12.06
JCW057	1-1/4 × 18	15200	23.8	1.25	54.14	36.14	56.38	38.38	3.59	1.82	8.49	18.06
JCW058	1-1/4 × 24	15200	27.8	1.25	66.70	42.70	68.94	44.94	3.59	1.82	8.49	24.62
JCW059	1-1/2 × 12	21400	28.7	1.50	44.24	32.24	46.74	34.74	4.09	2.12	9.46	12.32
JCW060	1-1/2 × 18	21400	34.1	1.50	56.24	38.24	58.74	40.74	4.09	2.12	9.46	18.32
JCW061	1-1/2 × 24	21400	39.6	1.50	68.86	44.86	71.36	47.36	4.65	2.12	9.46	24.94
JCW062	1-3/4 × 18	28000	58.2	1.75	57.38	39.38	60.38	42.38	4.65	2.38	9.97	18.37
JCW063	1-3/4 × 24	28000	174	1.75	69.38	45.38	72.38	48.38	4.65	2.38	9.97	24.37
JCW064	2 × 24	37000	83.5	2.00	75.68	51.68	79.18	55.18	5.81	2.69	13.03	24.48
JCW065	2-1/2 × 24	60000	149	2.50	79.18	55.18	83.18	59.18	6.49	3.12	13.76	24.60
JCW066	2-3/4 × 24	75000	194	2.75	81.34	57.34	85.84	61.84	7.00	3.25	15.09	24.65



## US TYPE FORGED TURNBUCKLE WITH JAW & EYE

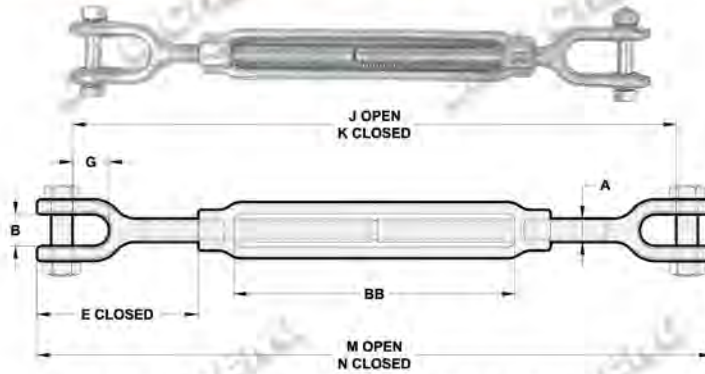


- Meet Performance requirements of US Fed. Spec. FF-T-791b, Type 1, Form 1, Class 5 and ASTM F-1145
- Material: Carbon 1045 Steel
- Ultimate Load at 5 Times the Working Load Limit
- Finish: Hot Dip Galvanized according to ASTM A153
- Packing available with Carton Box or Gunny Bag

Item No.	Thread Dia. & Take Up (in)	Working Load Limit (lbs)	Weight Each (lbs)	Dimensions (in)											
				A	B	E Closed	G	J Open	K Closed	M Open	N Closed	R	S	X Closed	BB
JCW067	1/4 × 4	500	0.33	0.25	0.25	1.66	0.64	11.57	7.57	12.28	12.28	0.81	0.34	1.76	4.07
JCW068	5/16 × 4-1/2	800	0.52	0.52	0.31	2.02	0.87	13.50	9.00	14.30	14.30	0.95	0.44	2.20	4.58
JCW069	3/8 × 6	1200	0.80	0.80	0.38	2.11	0.85	16.91	10.91	17.87	17.87	1.13	0.53	2.48	6.10
JCW070	1/2 × 6	2200	1.77	1.77	0.50	3.22	1.07	19.30	13.30	20.48	20.48	1.41	0.71	3.56	6.03
JCW071	1/2 × 9	2200	2.25	2.25	0.50	3.20	1.07	25.59	16.59	26.77	26.77	1.41	0.71	3.54	9.36
JCW072	1/2 × 12	2200	2.67	2.67	0.50	3.20	1.07	31.59	19.59	32.77	32.77	1.41	0.71	3.54	12.36
JCW073	5/8 × 6	3500	2.98	2.98	0.63	3.90	1.32	20.73	14.73	22.27	22.27	1.80	0.88	4.35	6.03
JCW074	5/8 × 9	3500	3.72	3.72	0.63	3.89	1.32	27.07	18.07	28.61	28.61	1.80	0.88	4.34	9.39
JCW075	5/8 × 12	3500	4.35	4.35	0.63	3.89	1.32	33.07	21.07	34.61	34.61	1.80	0.88	4.34	12.39
JCW076	3/4 × 6	5200	4.51	4.51	0.75	4.71	1.52	22.17	16.17	24.09	24.09	2.09	1.00	5.12	6.13
JCW077	3/4 × 9	3500	5.56	5.56	0.75	4.68	1.52	28.57	19.57	30.49	30.49	2.09	1.00	5.09	9.59
JCW078	3/4 × 12	3500	6.42	6.42	0.75	4.68	1.52	34.57	22.57	36.49	36.49	2.09	1.00	5.09	12.59
JCW079	3/4 × 18	3500	8.14	8.14	0.75	4.71	1.52	46.57	28.57	48.49	48.49	2.09	1.00	5.12	18.53
JCW080	7/8 × 12	7200	9.10	9.10	0.88	5.50	1.77	35.68	23.68	37.91	37.91	2.38	1.25	5.79	12.16
JCW081	7/8 × 18	7200	11.6	11.6	0.88	5.50	1.77	48.15	30.15	50.38	50.38	2.38	1.25	5.79	18.63
JCW082	1 × 6	10000	10.0	10.0	1.00	6.09	2.05	25.03	19.03	27.59	27.59	3.00	1.43	6.50	6.18
JCW083	1 × 12	10000	13.4	13.4	1.00	6.09	2.05	37.03	25.03	39.59	39.59	3.00	1.43	6.50	12.18
JCW084	1 × 18	10000	16.7	16.7	1.00	6.09	2.05	49.03	31.03	51.59	51.59	3.00	1.43	6.50	18.18
JCW085	1 × 24	10000	20.6	20.6	1.00	6.06	2.05	61.63	37.63	64.19	64.19	3.00	1.43	6.47	24.84
JCW086	1-1/4 × 12	15200	20.9	20.9	1.84	8.09	2.82	40.76	28.76	43.98	43.98	3.59	1.82	8.49	12.06
JCW087	1-1/4 × 18	15200	24.8	24.8	1.84	8.09	2.82	52.76	34.76	55.98	55.98	3.59	1.82	8.49	18.06
JCW088	1-1/4 × 24	15200	28.8	28.8	1.84	8.09	2.82	65.32	41.32	68.54	68.54	3.59	1.82	8.49	24.62
JCW089	1-1/2 × 12	21400	30.6	30.6	2.06	8.93	2.81	42.50	30.50	46.21	46.21	4.09	2.12	9.46	12.32
JCW090	1-1/2 × 18	21400	36.0	36.0	2.06	8.93	2.81	54.50	36.50	58.21	58.21	4.09	2.12	9.46	18.32
JCW091	1-1/2 × 24	21400	41.5	41.5	2.06	8.93	2.81	67.12	43.12	70.83	70.83	4.09	2.12	9.46	24.94
JCW092	1-3/4 × 18	28000	52.1	52.1	2.60	9.36	3.35	55.37	37.37	59.77	59.77	4.65	2.38	9.97	18.37
JCW093	1-3/4 × 24	28000	59.7	59.7	2.60	9.36	3.35	67.37	43.37	71.77	71.77	4.65	2.38	9.97	24.37
JCW094	2 × 24	37000	89.9	89.9	2.62	11.80	3.74	72.66	48.66	77.95	77.95	5.81	2.69	13.03	24.48
JCW095	2-1/2 × 24	60000	158	158	3.06	13.26	4.44	76.08	52.08	82.68	82.68	6.49	3.12	13.76	24.60
JCW096	2-3/4 × 24	75000	197	187	3.69	14.92	4.19	78.05	54.05	85.67	85.67	7.00	3.25	15.09	24.65



## US TYPE FORGED TURNBUCKLE WITH JAW & JAW

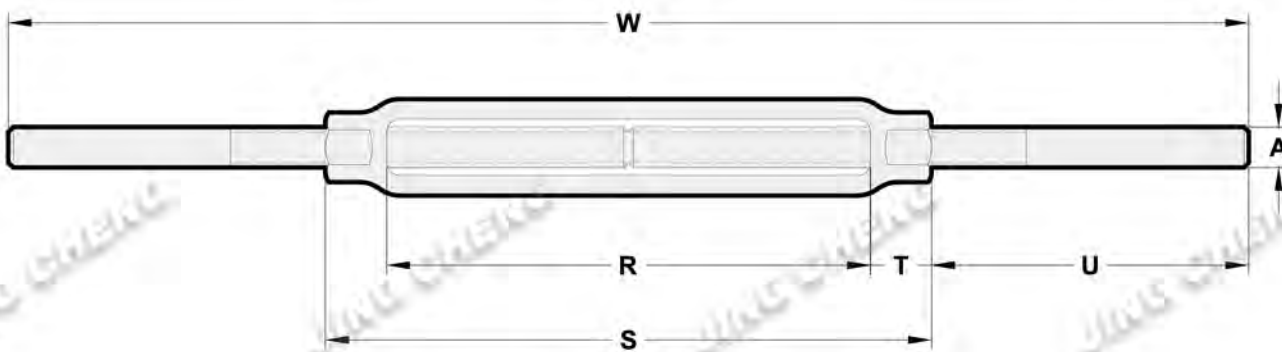


- Meet Performance requirements of US Fed. Spec. FF-T-791b, Type 1, Form 1, Class 5 and ASTM F-1145
- Material: Carbon 1045 Steel
- Ultimate Load at 5 Times the Working Load Limit
- Finish: Hot Dip Galvanized according to ASTM A153
- Packing available with Carton Box or Gunny Bag

Item No.	Thread Dia. & Take Up (in)	Working Load Limit (lbs)	Weight Each (lbs)	Dimensions (in)								
				A	B	E Closed	G	J Open	K Closed	M Open	N Closed	BB
JCW097	1/4 × 4	500	0.37	0.25	0.45	1.66	0.64	11.19	7.19	12.18	8.18	4.07
JCW098	5/16 × 4-1/2	800	0.56	0.31	0.50	2.02	0.87	13.07	8.57	14.12	9.62	4.58
JCW099	3/8 × 6	1200	0.85	0.38	0.53	2.11	0.85	16.25	10.25	17.50	11.50	6.10
JCW100	1/2 × 6	2200	1.82	0.50	0.64	3.22	1.07	18.65	12.65	20.14	14.14	6.03
JCW101	1/2 × 9	2200	2.29	0.50	0.64	3.20	1.07	24.94	15.94	26.43	17.43	9.36
JCW102	1/2 × 12	2200	2.71	0.50	0.64	3.20	1.07	30.94	18.94	32.43	20.43	12.36
JCW103	5/8 × 6	3500	3.21	0.63	0.79	3.90	1.32	19.74	13.94	21.82	15.82	6.03
JCW104	5/8 × 9	3500	3.95	0.63	0.79	3.89	1.32	26.08	17.08	28.16	19.16	9.39
JCW105	5/8 × 12	3500	4.58	0.63	0.79	3.89	1.32	32.08	20.08	34.16	22.16	12.39
JCW106	3/4 × 6	5200	4.80	0.75	0.97	4.71	1.52	21.09	15.09	23.68	17.68	6.13
JCW107	3/4 × 9	3500	5.85	0.75	0.97	4.68	1.52	27.49	18.49	30.08	21.08	9.59
JCW108	3/4 × 12	3500	6.72	0.75	0.97	4.68	1.52	33.49	21.49	36.08	24.08	12.59
JCW109	3/4 × 18	3500	8.45	0.75	0.97	4.71	1.52	45.49	27.49	48.08	30.08	18.53
JCW110	7/8 × 12	7200	9.37	0.88	1.16	5.50	1.77	34.65	22.65	37.62	25.62	12.16
JCW111	7/8 × 18	7200	11.8	0.88	1.16	5.50	1.77	47.12	29.12	50.09	32.09	18.63
JCW112	1 × 6	10000	10.4	1.00	1.34	6.09	2.05	23.82	17.92	27.18	21.18	6.18
JCW113	1 × 12	10000	13.8	1.00	1.34	6.09	2.05	35.82	23.82	39.18	27.18	12.18
JCW114	1 × 18	10000	17.1	1.00	1.34	6.09	2.05	47.82	29.82	51.18	33.18	18.18
JCW115	1 × 24	10000	21.0	1.00	1.34	6.06	2.05	60.42	36.42	63.78	39.78	24.84
JCW116	1-1/4 × 12	15200	21.9	1.25	1.84	8.09	2.82	39.37	27.37	43.58	31.58	12.06
JCW117	1-1/4 × 18	15200	25.9	1.25	1.84	8.09	2.82	51.37	33.37	55.58	37.58	18.06
JCW118	1-1/4 × 24	15200	29.8	1.25	1.84	8.09	2.82	63.93	39.93	68.14	44.14	24.62
JCW119	1-1/2 × 12	21400	32.6	1.50	2.06	8.93	2.81	40.76	28.76	45.68	33.68	12.32
JCW120	1-1/2 × 18	21400	38.0	1.50	2.06	8.93	2.81	52.76	34.76	57.68	39.68	18.32
JCW121	1-1/2 × 24	21400	43.5	1.50	2.06	8.93	2.81	65.38	41.38	70.30	46.30	24.94
JCW122	1-3/4 × 18	28000	53.5	1.75	2.60	9.36	3.35	53.35	35.35	59.16	41.16	18.37
JCW123	1-3/4 × 24	28000	61.1	1.75	2.60	9.36	3.35	65.35	41.35	71.16	47.16	24.37
JCW124	2 × 24	37000	96.3	2.00	2.62	11.80	3.74	69.64	45.64	76.72	52.72	24.48
JCW125	2-1/2 × 24	60000	167	2.50	3.06	13.26	4.44	72.97	48.97	82.18	58.18	24.60
JCW126	2-3/4 × 24	75000	199	2.75	3.69	14.92	4.19	74.75	50.75	85.50	61.50	24.65



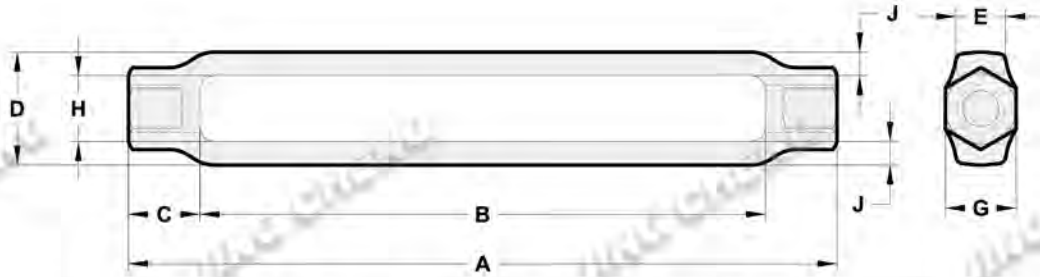
## US TYPE FORGED TURNBUCKLE WITH STUB END



- Meet Performance requirements of US Fed. Spec. FF-T-791b, Type 1, Form 1, Class 5 and ASTM F-1145
- Material: Carbon 1045 Steel
- Ultimate Load at 5 Times the Working Load Limit
- Finish: Hot Dip Galvanized according to ASTM A153
- Packing available with Carton Box or Gunny Bag

Item No.	Thread Dia. & Take Up (in)	Working Load Limit (lbs)	Weight Each (lbs)	Dimensions (in)					
				A	R	S	T	U	W
JCW127	3/8 × 6	1200	0.75	0.38	6.00	7.13	0.56	4.44	16.00
JCW128	1/2 × 6	2200	1.25	0.50	6.00	7.50	0.75	4.25	16.00
JCW129	5/8 × 6	3500	2.11	0.63	6.00	7.88	0.94	4.06	16.00
JCW130	3/4 × 6	5200	3.27	0.75	6.00	8.25	1.13	4.38	17.00
JCW131	7/8 × 6	7200	4.78	0.88	6.00	8.63	1.31	4.69	18.00
JCW132	1 × 6	10000	6.36	1.00	6.00	9.00	1.50	5.00	19.00
JCW133	1 × 12	10000	8.80	1.00	12.0	15.0	1.50	5.00	25.00
JCW134	1-1/8 × 6	12400	8.88	1.13	6.00	9.13	1.56	4.94	19.00
JCW135	1-1/4 × 6	15200	10.18	1.25	6.00	9.13	1.56	5.44	20.00
JCW136	1-1/4 × 12	15200	13.60	1.25	12.0	15.12	1.56	5.44	26.00
JCW137	1-1/2 × 12	21400	20.44	1.50	12.0	15.75	1.88	5.38	26.50



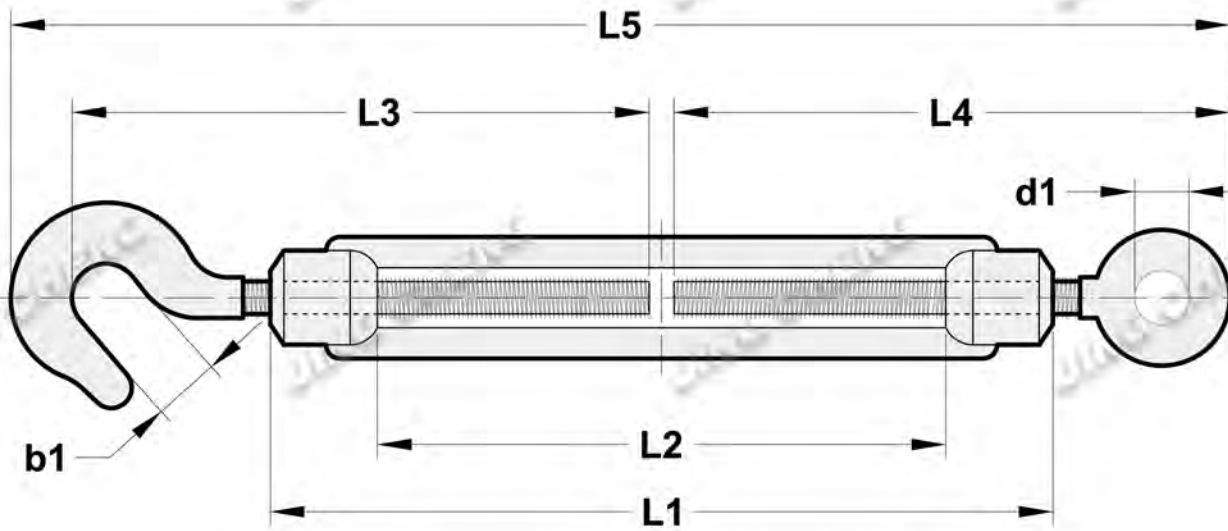


- Meet Performance requirements of US Fed. Spec. FF-T-791b, Type 1, Form 1, Class 5 and ASTM F-1145
- Material: Carbon 1045 Steel
- Ultimate Load at 5 Times the Working Load Limit
- Finish: Self Color
- Packing available with Carton Box or Gunny Bag

Item No.	Thread Dia. & Take Up (in)	Working Load Limit (lbs)	Weight Each (lbs)	Dimensions (in)							
				A	B	C	D	E	G	H	J
JCW138	1/4 x 4	500	0.15	4.87	4.07	0.40	0.72	0.34	0.50	0.38	0.17
JCW139	5/16 x 4-1/2	800	0.22	5.59	4.58	0.50	0.82	0.38	0.56	0.44	0.19
JCW140	3/8 x 6	1200	0.29	7.29	6.10	0.60	0.88	0.68	0.63	0.50	0.19
JCW141	1/2 x 6	2200	0.70	7.70	6.03	0.84	1.19	0.68	0.81	0.63	0.28
JCW142	1/2 x 9	2200	1.03	11.03	9.36	0.84	1.19	0.68	0.81	0.63	0.28
JCW143	1/2 x 12	2200	1.27	14.03	12.36	0.84	1.19	0.83	0.81	0.63	0.28
JCW144	5/8 x 6	3500	1.11	8.02	6.03	1.00	1.43	0.83	1.00	0.75	0.34
JCW145	5/8 x 9	3500	1.59	11.38	9.39	1.00	1.43	0.83	1.00	0.75	0.34
JCW146	5/8 x 12	3500	1.96	14.38	12.39	1.00	1.43	0.83	1.00	0.75	0.34
JCW147	3/4 x 6	5200	1.50	8.26	6.13	1.07	1.74	0.94	1.13	0.94	0.40
JCW148	3/4 x 9	3500	2.17	11.72	9.59	1.07	1.74	0.94	1.13	0.94	0.40
JCW149	3/4 x 12	3500	2.66	14.72	12.59	1.07	1.74	0.94	1.13	0.94	0.40
JCW150	3/4 x 18	3500	3.63	20.66	18.53	1.07	1.74	0.94	1.13	0.94	0.40
JCW151	7/8 x 12	7200	3.61	14.62	12.16	1.23	2.00	1.13	1.31	1.06	0.47
JCW152	7/8 x 18	7200	5.27	21.09	18.63	1.23	2.00	1.13	1.31	1.06	0.47
JCW153	1 x 6	10000	3.32	9.00	6.18	1.41	2.45	1.25	1.50	1.25	0.60
JCW154	1 x 12	10000	5.34	15.00	12.18	1.41	2.45	1.25	1.50	1.25	0.60
JCW155	1 x 18	10000	7.35	21.00	18.18	1.41	2.45	1.25	1.50	1.25	0.60
JCW156	1 x 24	10000	9.85	27.66	24.84	1.41	2.45	1.25	1.50	1.25	0.60
JCW157	1-1/4 x 12	15200	5.72	15.40	12.06	1.67	2.62	1.25	1.88	1.50	0.56
JCW158	1-1/4 x 18	15200	7.58	21.40	18.06	1.67	2.62	1.25	1.88	1.50	0.56
JCW159	1-1/4 x 24	15200	9.45	27.96	24.62	1.67	2.62	1.25	1.88	1.50	0.56
JCW160	1-1/2 x 12	21400	8.01	15.82	12.32	1.75	2.99	1.50	2.25	1.75	0.62
JCW161	1-1/2 x 18	21400	10.4	21.82	18.32	1.75	2.99	1.50	2.25	1.75	0.62
JCW162	1-1/2 x 24	21400	12.9	28.54	24.94	1.75	2.99	1.50	2.25	1.75	0.62
JCW163	1-3/4 x 18	28000	15.7	22.44	18.37	2.04	3.62	1.75	2.62	2.12	0.75
JCW164	1-3/4 x 24	28000	19.2	28.44	24.37	2.04	3.62	1.75	2.62	2.12	0.75
JCW165	2 x 24	37000	25.8	29.13	24.48	2.33	4.14	2.00	3.00	2.38	0.88
JCW166	2-1/2 x 24	60000	55.9	31.66	24.60	3.53	5.12	2.75	3.88	3.12	1.25
JCW167	2-3/4 x 24	75000	54.0	31.66	24.65	3.51	5.12	2.75	3.88	4.48	1.25



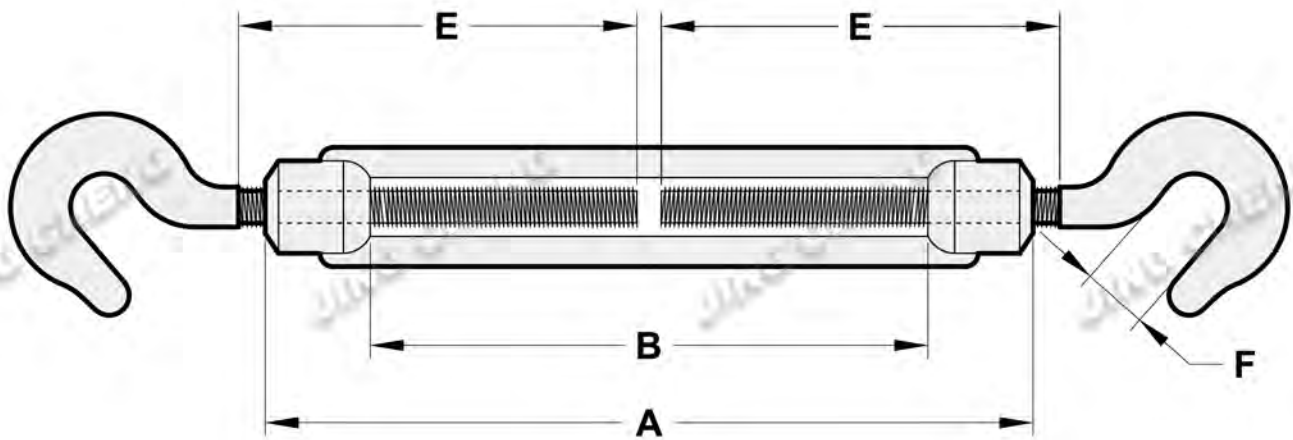
## DIN1480 TURNBUCKLES, TYPE HOOK AND EYE



- Meet Performance requirements of DIN1480
- Drop Forged
- Material: Carbon Steel
- Ultimate Load at 4 Times the Working Load Limit
- Finish: Hot Dip Galvanized or Electrogalvanized
- Packing available with Carton Box or Gunny Bag

Item No.	Size (mm)	Working Load Limit (t)	Weight (kg)	Dimensions (mm)						
				L1	L2	L3	b1	L4	d1	L5
JCW168	M6	0.075	0.086	110	80	85	8.5	80	9	172
JCW169	M8	0.165	0.15	110	75	85	11	84	10	182
JCW170	M10	0.235	0.28	125	85	112	13.5	105	14	213
JCW171	M12	0.32	0.38	125	80	117	15.5	115	16	238
JCW172	M14	0.43	0.62	140	90	122	18.5	122	18	263
JCW173	M16	0.53	0.97	170	110	138	19	165	22	320
JCW174	M20	0.73	1.64	200	130	170	20.5	167	24	367
JCW175	M22	1.12	1.95	220	145	185	26	167	27	398
JCW176	M24	1.55	3.27	255	170	205	26	205	27	447
JCW177	M30	2.24	5.38	255	160	225	33	255	31	512
JCW178	M36	3.26	9.33	295	180	255	44	276	43	568
JCW179	M42	3.675	15.38	330	200	340	48	260	49	683
JCW180	M48	6.86	22.65	355	195	360	58	300	58	755



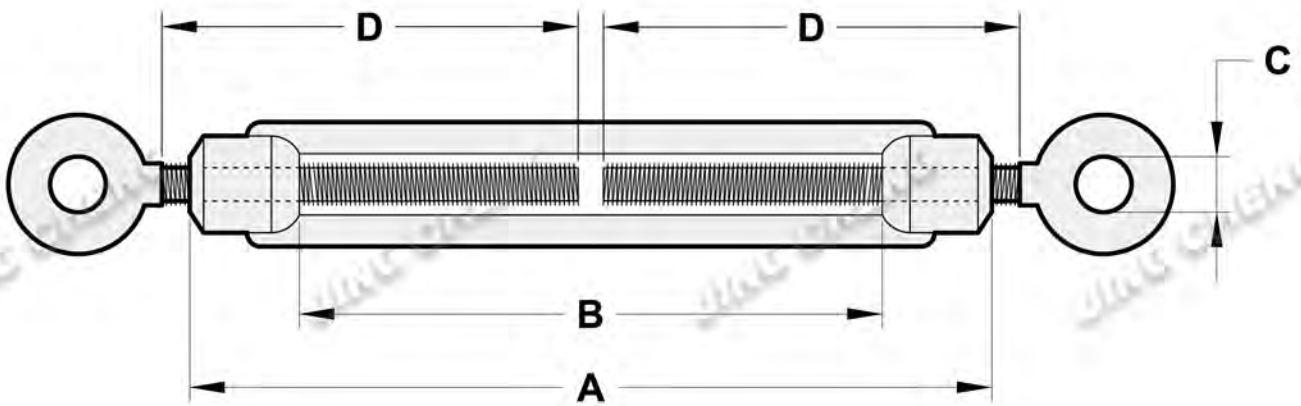


- Meet Performance requirements of DIN1480
- Drop Forged
- Material: Carbon Steel
- Ultimate Load at 4 Times the Working Load Limit
- Finish: Hot Dip Galvanized or Electrogavanized
- Packing available with Carton Box or Gunny Bag

Item No.	Size (mm)	Working Load Limit (t)	Weight (kg)	Dimensions (mm)			
				A	B	E	F
JCW181	M6	0.075	0.086	110	86	53	9.5
JCW182	M8	0.165	0.156	110	80	55	10
JCW183	M10	0.235	0.29	125	89	65	13.5
JCW184	M12	0.32	0.42	125	83	70	16
JCW185	M16	0.53	1.03	170	116	100	16
JCW186	M20	0.73	1.64	200	130	105	18
JCW187	M22	1.12	2.12	220	148	115	22
JCW188	M24	1.55	3.16	255	177	130	28
JCW189	M30	2.24	6.28	255	165	145	33
JCW190	M36	3.26	10.01	295	185	155	41
JCW191	M42	3.675	15.14	330	204	175	45
JCW192	M48	6.86	25.09	355	199	185	54



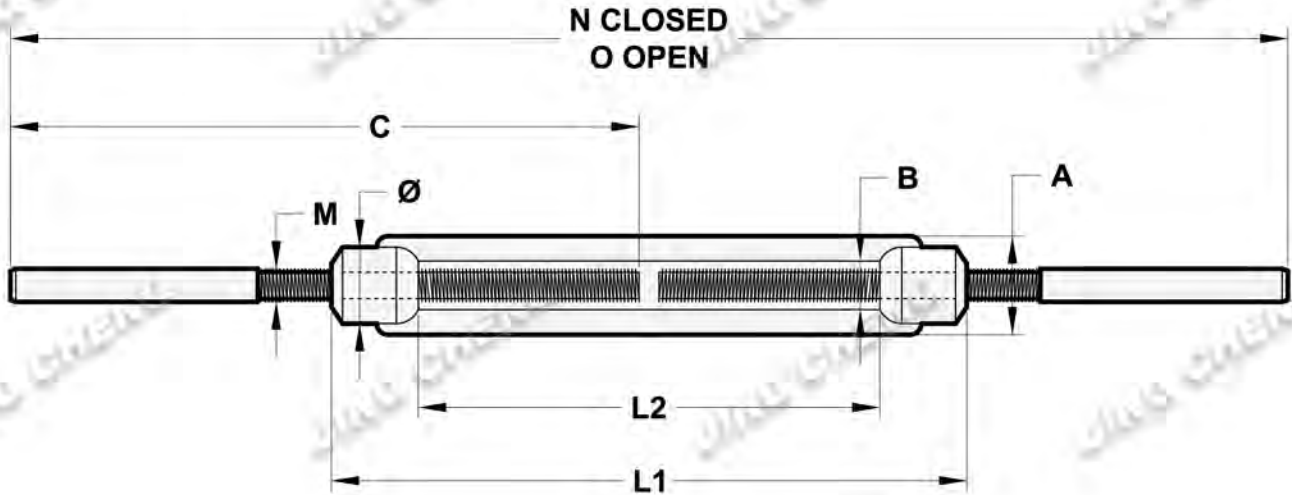
## DIN1480 TURNBUCKLES, TYPE EYE AND EYE



- Meet Performance requirements of DIN1480
- Drop Forged
- Material: Carbon Steel
- Ultimate Load at 4 Times the Working Load Limit
- Finish: Hot Dip Galvanized or Electrogvanized
- Packing available with Carton Box or Gunny Bag

Item No.	Size (mm)	Working Load Limit (t)	Weight (kg)	Dimensions (mm)			
				A	B	C	D
JCW193	M6	0.075	0.086	110	86	9.5	53
JCW194	M8	0.41	0.156	110	80	11	55
JCW195	M10	0.65	0.29	125	89	14.5	65
JCW196	M12	0.93	0.42	125	83	17	66
JCW197	M14	1.33	0.635	140	94	18	83
JCW198	M16	1.77	0.91	170	116	22	100
JCW199	M20	2.7	1.64	200	130	24	100
JCW200	M22	3.3	2.76	220	148	30	125
JCW201	M24	3.92	3.38	255	177	26	132.5
JCW202	M30	6.25	4.48	255	165	39	145
JCW203	M36	9.1	8.65	295	185	44	155
JCW204	M42	12.75	12.02	330	204	49	175
JCW205	M48	16.8	20.21	355	199	58	185



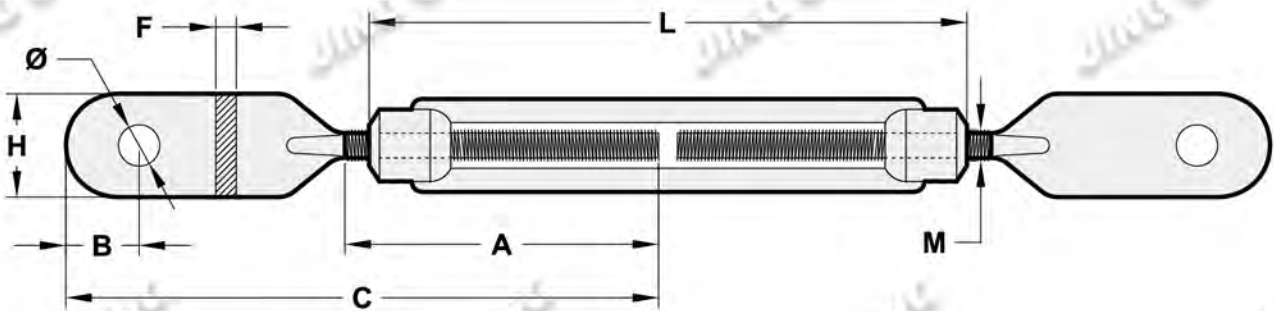


- Meet Performance requirements of DIN1480
- Drop Forged
- Material: Carbon Steel
- Ultimate Load at 4 Times the Working Load Limit
- Finish: Hot Dip Galvanized or Electrogalvanized
- Packing available with Carton Box or Gunny Bag

Item No.	Size (M)	Dimensions (mm)							
		A	B	C	N	O	L1	L2	$\Phi$
JCW206	M6	19	9	120	245	320	110	86	12
JCW207	M8	23	11	120	245	315	110	80	15
JCW208	M10	30	14	150	305	354	125	89	18
JCW209	M12	34	18	150	305	378	125	83	21
JCW210	M14	38	18	162	330	415	140	94	24.5
JCW211	M16	42	20	220	445	545	170	110	27
JCW212	M20	53	24	220	445	565	200	130	34
JCW213	M22	56	26	220	445	583	220	148	37
JCW214	M24	60	28	260	525	692	255	177	39
JCW215	M30	74	34	260	525	650	255	165	45
JCW216	M36	86	40	300	605	780	295	185	55
JCW217	M42	104	50	350	705	900	330	204	63
JCW218	M48	135	65	380	705	955	355	199	80
JCW219	M56	135	65	380	705	955	355	199	80



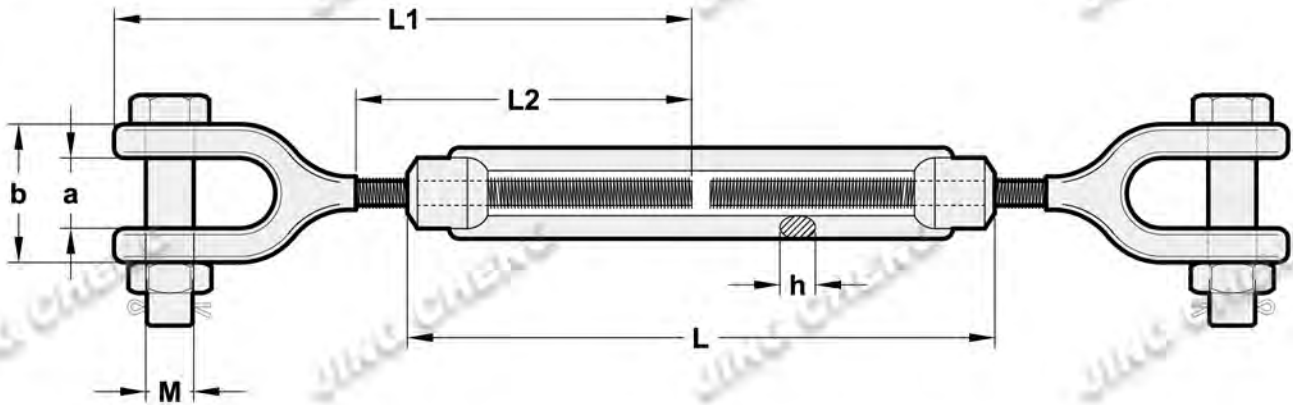
## DIN1480 TURNBUCKLES WITH PLANE SCREWS



- Meet Performance requirements of DIN1480
- Drop Forged
- Material: Carbon Steel
- Ultimate Load at 4 Times the Working Load Limit
- Finish: Hot Dip Galvanized or Electrogalvanized
- Packing available with Carton Box or Gunny Bag

Item No.	Size	Working Load Limit (t)	Weight (kg)	Dimensions (mm)								
				A	B	C	H	M	F	P	L	Φ
JCW220	M12	1.67	1.1	70	35	210	40	M12	7	77	125	18
JCW221	M16	3.12	1.73	90	35	240	50	M16	10	85	170	18
JCW222	M20	4.86	2.58	100	35	255	50	M20	10	91	272	18
JCW223	M24	7	4.14	150	45	315	70	M24	12	80	255	22
JCW224	M27	9.1	5.4	150	50	320	70	M27	15	80	255	22
JCW225	M30	11.18	6.8	160	60	365	80	M30	15	98	255	26
JCW226	M36	16.2	10.87	220	60	425	80	M36	20	100	295	26



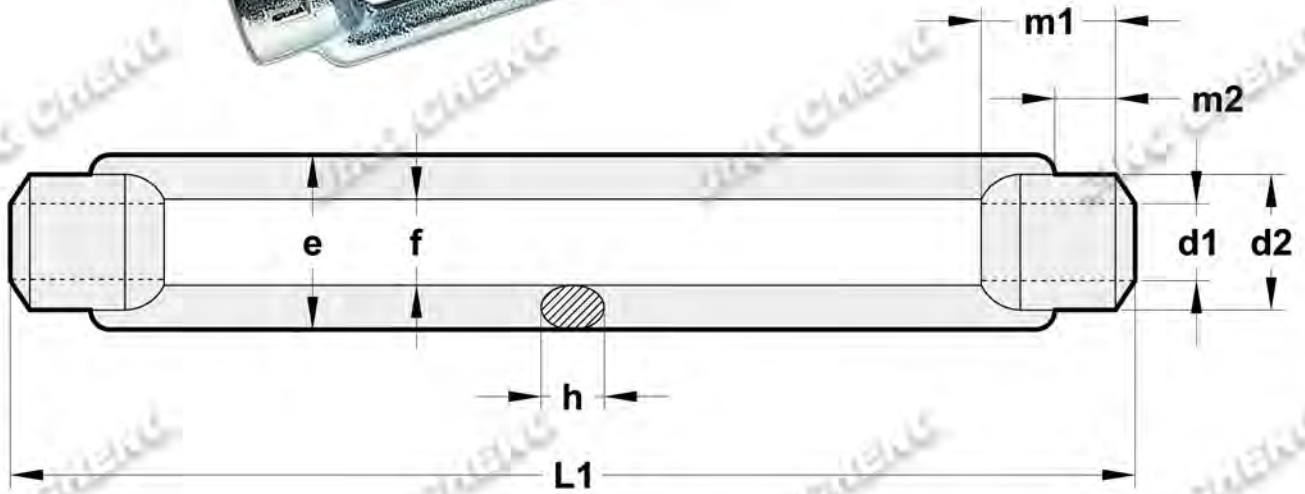


- Meet Performance requirements of DIN1480
- Drop Forged
- Material: Carbon Steel
- Ultimate Load at 4 Times the Working Load Limit
- Finish: Hot Dip Galvanized or Electroplated
- Packing available with Carton Box or Gunny Bag

Item No.	Size	Dimensions (mm)						
		L	h	L1	L2	a	b	M
JCW227	M10	125	9.5	135	78	12.5	27.5	M10
JCW228	M16	170	14	187	105	20	41	M16
JCW229	M20	200	17	205	115	23.5	46	M20
JCW230	M24	255	21	240	130	28	60	M24



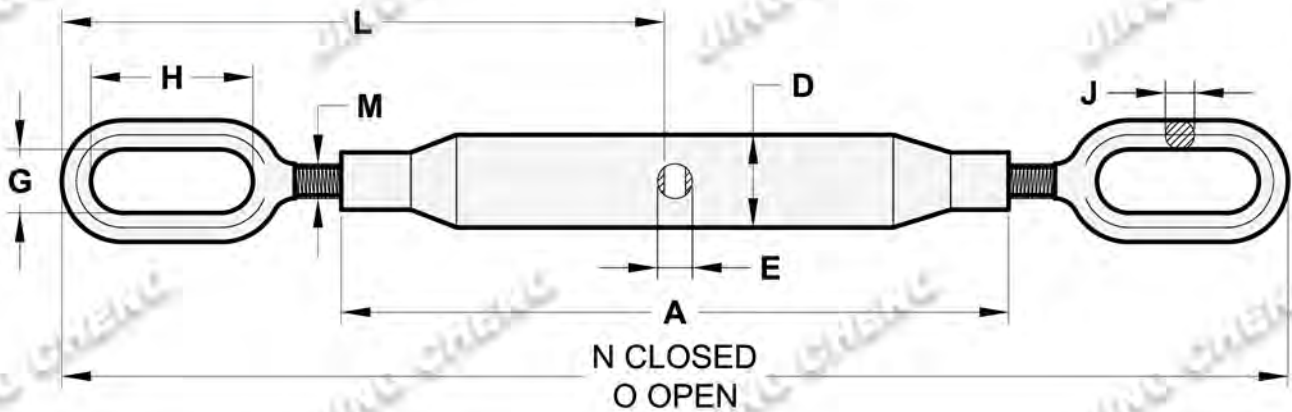
## DIN1480 TURNBUCKLES BODY



- Meet Performance requirements of DIN1480
- Drop Forged
- Material: Carbon Steel
- Ultimate Load at 4 Times the Working Load Limit
- Finish: Hot Dip Galvanized or Electrogalvanized
- Packing available with Carton Box or Gunny Bag

Item No.	Thread Size (d1)	Dimensions (mm)								Weight 100pcs (kg)
		L1	Length or engagement	d2	e	f	h	m1	m2	
JCW231	M6	110	80	12	19	9	6	12	6	5.5
JCW232	M8	110	75	15	23	11	8	15	8	9.5
JCW233	M10	125	85	18	30	14	9	18	9	15.5
JCW234	M12	125	80	21	34	16	11	21	11	20.5
JCW235	M14	140	90	25	38	18	10	24	9	31
JCW236	M16	170	110	27	42	20	14	27	14	42
JCW237	M20	200	130	34	52	24	17	34	17	74
JCW238	M22	220	145	36	57	26	16	37	15	95
JCW239	M24	255	170	39	60	28	20	39	20	130
JCW240	M30	255	160	45	74	34	23	45	23	180
JCW241	M36	295	180	55	86	40	28	55	28	310
JCW242	M42	330	200	63	104	50	32	63	32	556
JCW243	M48	355	195	80	135	65	40	78	39	975
JCW244	M56	355	195	80	135	65	40	78	39	900



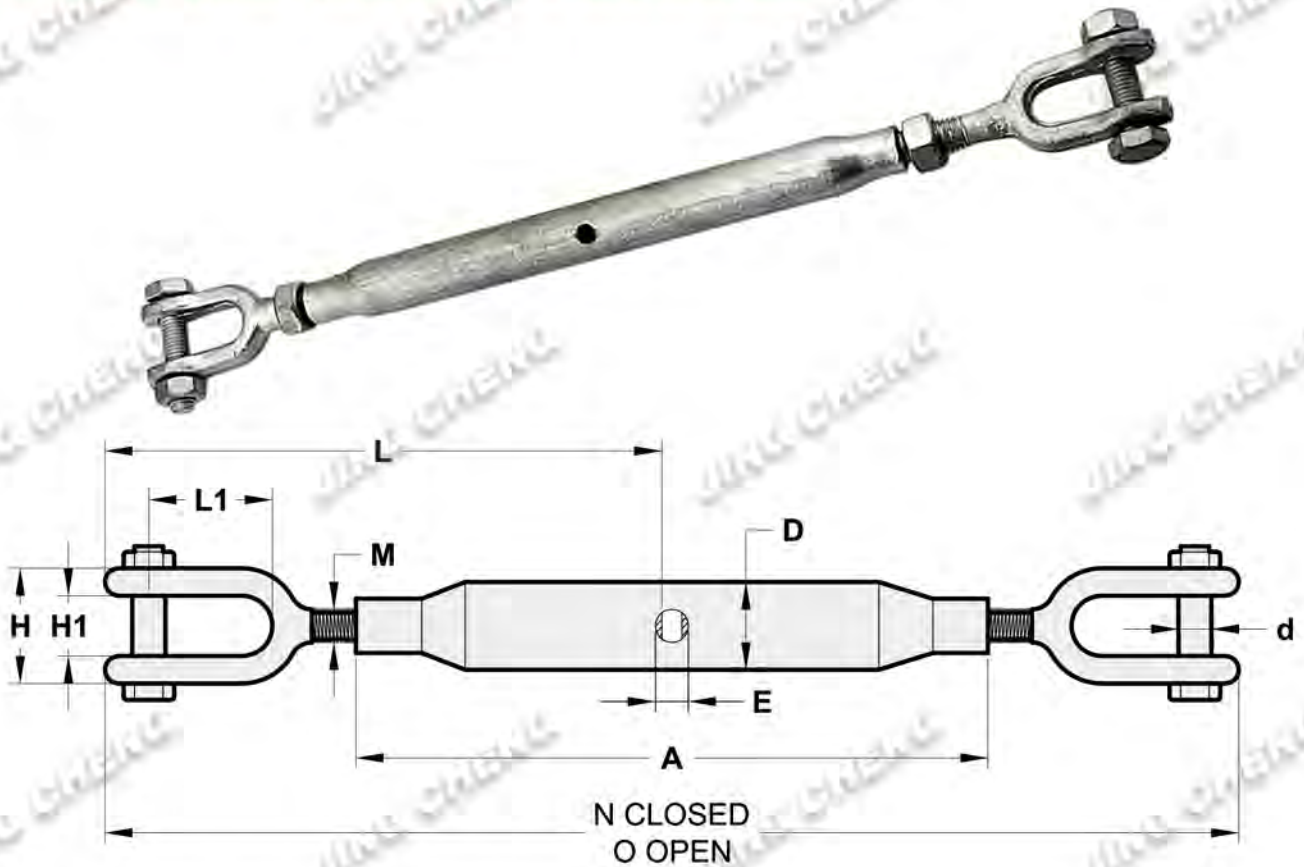


- Meet Performance requirements of DIN1478
- Drop Forged
- Material: Carbon Steel
- Ultimate Load at 4 Times the Working Load Limit
- Finish: Hot Dip Galvanized or Electroplated
- Packing available with Carton Box or Gunny Bag

Item No.	Size	Weight (kg)	Dimensions (mm)									
			M	A	D	E	G	J	L	N Closed	O Open	H
JCW245	M6	0.18	M6×1	110	15	6	8	6	96	197	307	14
JCW246	M8	0.38	M8×1.25	110	17	8.5	8	8	109	223	333	20
JCW247	M10	0.43	M10×1.5	125	21	8.5	11	8	127	259	384	25
JCW248	M12	0.9	M12×1.75	125	25	10.5	14	11	182	369	494	36
JCW249	M16	1.2	M16×2	170	30	10.5	18	14	194	393	563	40
JCW250	M20	2.02	M20×2.5	200	33.5	12.5	22	16	204	413	613	55
JCW251	M22	3.07	M22×2.5	220	33.5	12.5	22	17	248	501	721	55
JCW252	M24	3.9	M24×3	255	42	12.5	25	19	292	589	844	57
JCW253	M27	4.97	M27×3	255	42	14.5	28	20	294	593	848	57
JCW254	M33	6.83	M33×3.5	255	57	16.5	34	25	320	645	900	64
JCW255	M36	7.94	M36×4	295	63	16.5	36	26	325	655	950	75
JCW256	M42	14.08	M42×4.5	330	70	20.5	38	27	356	717	1047	84
JCW257	M48	17.48	M48×5	355	83	20.5	44	37	404	813	1168	94

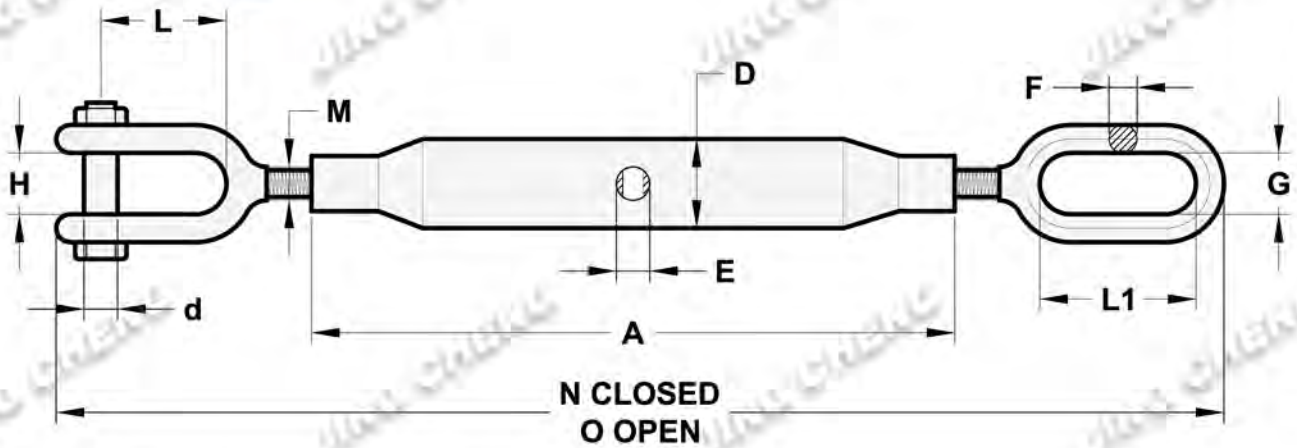


## DIN1478 RIGGING SCREWS, TYPE JAW AND JAW



- Meet Performance requirements of DIN1478
- Drop Forged
- Material: Carbon Steel
- Ultimate Load at 4 Times the Working Load Limit
- Finish: Hot Dip Galvanized or Electrogalvanized
- Packing available with Carton Box or Gunny Bag

Item No.	Size	Weight (kg)	Dimensions (mm)										
			M	A	D	E	H	H1	L	L1	d	N Closed	O Open
JCW258	M6	0.18	M6×1	110	15	6	21	9	96	21	5	197	292
JCW259	M8	0.38	M8×1.25	110	17	8.5	21	9	109	21	6.5	223	313
JCW260	M10	0.484	M10×1.5	125	21	8.5	27	11	124	21	8	253	353
JCW261	M12	1	M12×1.75	125	25	10.5	37	19	183	35	10	370	465
JCW262	M16	1.356	M16×2	170	30	10.5	40	22	194	51	12	393	523
JCW263	M20	2.212	M20×2.5	200	33.5	12.5	44	22	204	48	16	413	563
JCW264	M22	3.59	M22×2.5	220	33.5	12.5	51	25	248	60	20	500	650
JCW265	M24	4.814	M24×3	255	42	12.5	60	32	292	65	22	589	786
JCW266	M27	5.73	M27×3	255	42	14.5	60	32	294	65	22	593	783
JCW267	M33	8.04	M33×3.5	255	57	16.5	76	38	320	76	24	645	828
JCW268	M36	8.82	M36×4	295	63	16.5	76	38	325	76	27	655	870
JCW269	M42	16.4	M42×4.5	330	70	20.5	85	47	330	111	35	655	888
JCW270	M48	22.4	M48×5	355	83	20.5	101	51	404	121	42	813	951

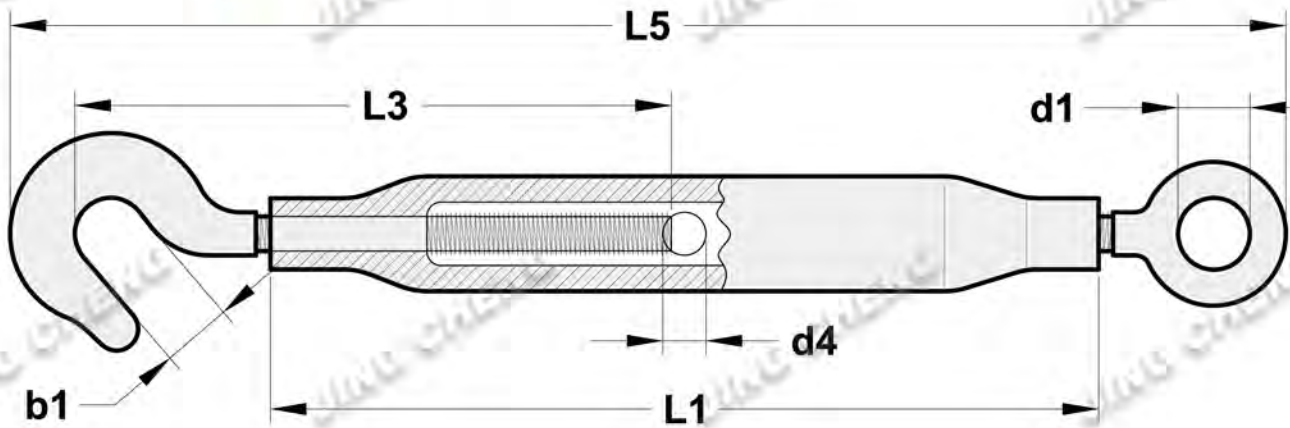


- Meet Performance requirements of DIN1478
- Drop Forged
- Material: Carbon Steel
- Ultimate Load at 4 Times the Working Load Limit
- Finish: Hot Dip Galvanized or Electrogalvanized
- Packing available with Carton Box or Gunny Bag

Item No.	Size	Weight (kg)	Dimensions (mm)										
			M	A	D	E	H	L	L1	F	d	N Closed	O Open
JCW271	M6	0.18	M6×1	110	15	6	9	21	14	6	5	197	307
JCW272	M8	0.363	M8×1.25	110	17	8.5	9	21	20	8	6.5	223	333
JCW273	M10	0.455	M10×1.5	125	21	8.5	11	21	25	8	8	256	381
JCW274	M12	0.935	M12×1.75	125	25	10.5	19	35	36	11	10	370	495
JCW275	M16	1.277	M16×2	170	30	10.5	22	51	40	14	12	393	563
JCW276	M20	2.114	M20×2.5	200	33.5	12.5	22	48	55	16	16	413	613
JCW277	M22	3.33	M22×2.5	220	33.5	12.5	25	60	55	17	20	501	721
JCW278	M24	4.354	M24×3	255	42	12.5	32	65	57	19	22	589	844
JCW279	M27	5.35	M27×3	255	42	14.5	32	65	57	20	22	593	848
JCW280	M33	7.43	M33×3.5	255	57	16.5	38	76	64	25	24	645	900
JCW281	M36	8.63	M36×4	295	63	16.5	38	76	75	26	27	655	950
JCW282	M42	16.4	M42×4.5	330	70	20.5	47	111	84	27	35	691	1021
JCW283	M48	19.94	M48×5	355	83	20.5	51	121	94	37	42	813	1168

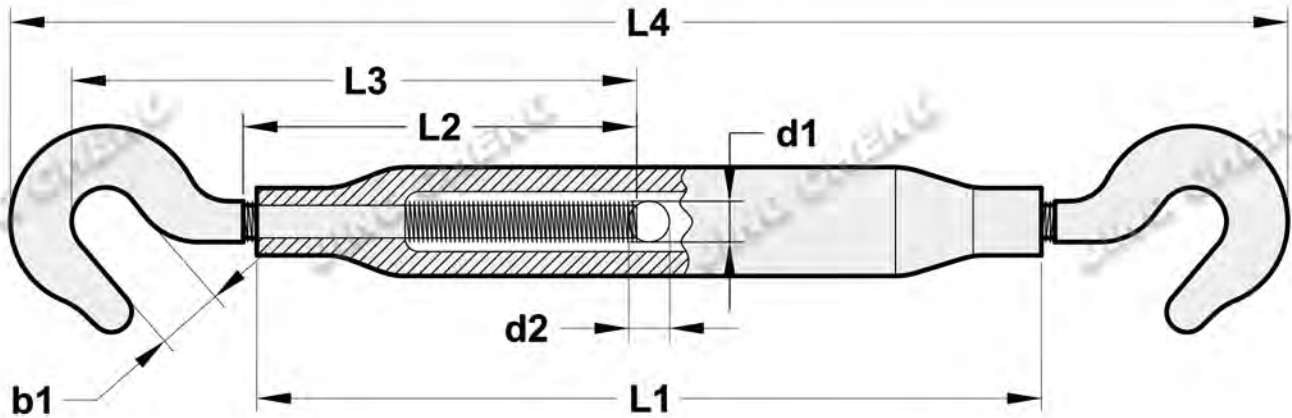


## DIN1478 RIGGING SCREWS, TYPE EYE AND HOOK



- Meet Performance requirements of DIN1478
- Drop Forged
- Material: Carbon Steel
- Ultimate Load at 4 Times the Working Load Limit
- Finish: Hot Dip Galvanized or Electrogalvanized
- Packing available with Carton Box or Gunny Bag

Item No.	Size	Weight Per 100Pcs (kg)	Dimensions (mm)							
			Body Length L1	Adjustable	d4	Hook		Eye		Total Length Screwed In L5
						L3	b1	L3	d1	
JCW284	M6	11.6	110	90	6	85	8.5	80	9	172
JCW285	M8	19	110	85	8	85	11	84	10	182
JCW286	M10	31	125	95	8	112	13.5	105	14	213
JCW287	M12	42	125	90	10	117	15.5	115	16	238
JCW288	M16	89	170	120	10	138	19	165	22	320
JCW289	M20	158	200	140	12	170	20.5	167	24	367
JCW290	M24	292	255	180	12	205	26	205	27	447
JCW291	M30	430	255	160	16	225	33	255	31	512
JCW292	M36	605	295	180	16	255	44	276	43	568
JCW293	M42	1160	330	200	20	340	48	260	49	683
JCW294	M48	1600	355	210	20	360	58	300	58	755

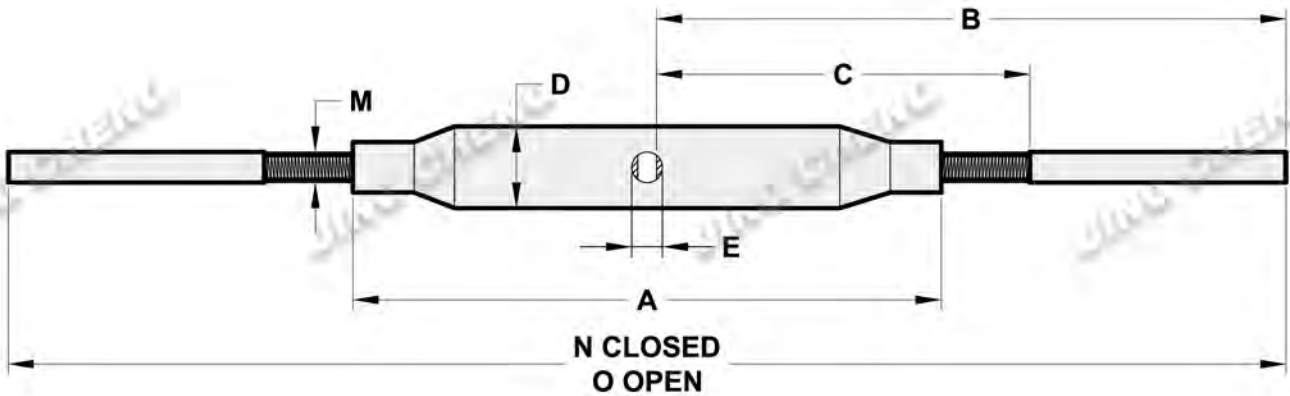


- Meet Performance requirements of DIN1478
- Drop Forged
- Material: Carbon Steel
- Ultimate Load at 4 Times the Working Load Limit
- Finish: Hot Dip Galvanized or Electrogvanized
- Packing available with Carton Box or Gunny Bag

Item No.	Size	Weight (kg)	Dimensions (mm)							
			d1	L1	L2	L3	L4 Min.	L4 Max.	b1	d2
JCW295	M6	0.16	M6×1	110	50	77	160	250	9.5	6
JCW296	M8	0.2	M8×1.25	110	60	98	204	289	11	8
JCW297	M10	0.3	M10×1.5	125	73	116	241	336	14	8
JCW298	M12	0.47	M12×1.75	125	90	146	303	393	18	10
JCW299	M16	1.01	M16×2	170	100	165	340	460	19	10
JCW300	M20	1.4	M20×2.5	200	105	180	372	512	21	12
JCW301	M24	2.86	M24×3	255	135	225	463	543	29	12
JCW302	M30	4.09	M30×3	255	140	225	527	687	31	16
JCW303	M36	6.85	M36×4	295	170	300	617	697	35	16

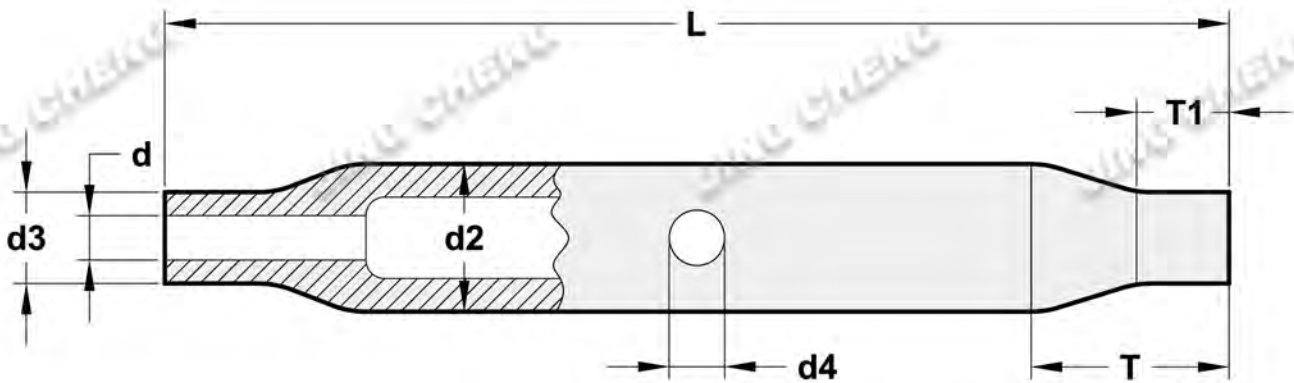


## DIN1478 TURNBUCKLES WITH STUB END



- Meet Performance requirements of DIN1478
- Drop Forged
- Material: Carbon Steel
- Ultimate Load at 4 Times the Working Load Limit
- Finish: Hot Dip Galvanized or Electrogalvanized
- Packing available with Carton Box or Gunny Bag

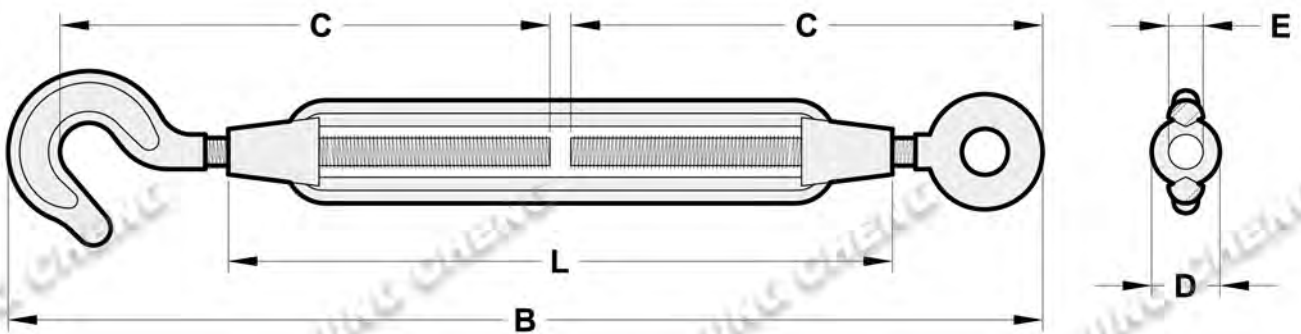
Item No.	Size	Weight (kg)	Dimensions (mm)							
			M	E	A	D	B	C	N Closed	O Open
JCW304	M6	0.14	M6×1	6	110	15	120	65	240	340
JCW305	M8	0.18	M8×1.25	8.5	110	17	120	65	240	340
JCW306	M10	0.32	M10×1.5	8.5	125	21	150	75	300	410
JCW307	M12	0.45	M12×1.75	10.5	125	25	150	75	300	410
JCW308	M16	0.9	M16×2	10.5	170	30	200	100	400	550
JCW309	M20	1.5	M20×2.5	12.5	200	33.5	220	120	400	615
JCW310	M24	2.75	M24×3	12.5	255	42	260	150	520	740
JCW311	M30	3.94	M30×3	14.5	255	55	260	160	520	740
JCW312	M36	6.75	M36×4	16.5	295	70	300	190	600	850



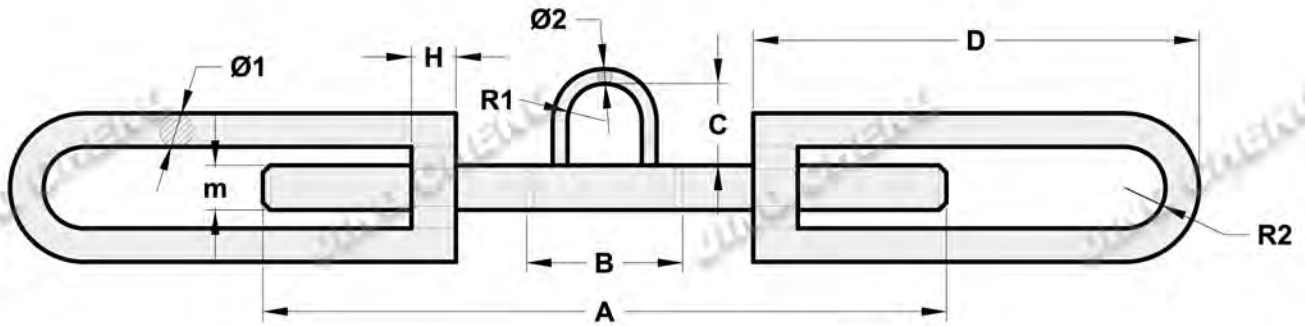
Item No.	Size (d)	Working Load Limit (kg)	Weight (kg)	Dimensions (mm)					
				d2	d3	d4	L	T	T1
JCW313	M6	225	0.1	17.2	9	6	110	9.5	7.8
JCW314	M8	410	0.09	17.2	12	8	110	12	10
JCW315	M10	650	0.19	21.3	15	8	125	14	12
JCW316	M12	930	0.27	25	18	10	125	17	15
JCW317	M16	1170	0.51	30	22.5	10	170	22	20
JCW318	M20	2700	0.62	33.7	27	12	200	26	24
JCW319	M24	3920	1.15	42.4	32	12	255	31	29
JCW320	M30	6250	1.57	51	38	16	255	38	36
JCW321	M36	9100	3.16	63.5	47.5	16	295	46	43
JCW322	M42	12500	4.33	70	57	20	330	54	51
JCW323	M48	16500	5.78	82.5	63	20	355	61	58



## COMMERCIAL TYPE MALLEABLE TURNBUCKLES WITH EYE AND HOOK



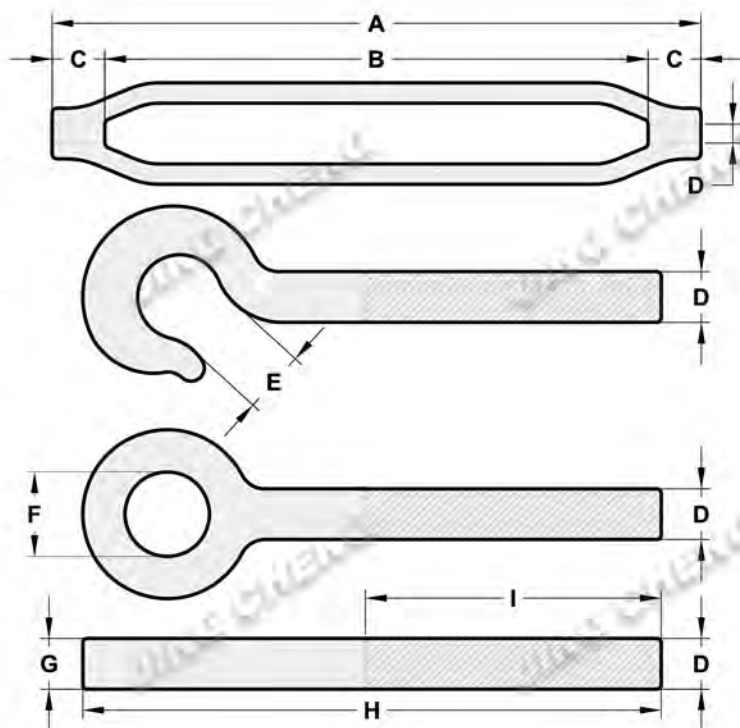
Item No.	Size (mm)	Working Load Limit (kg)	Weight Each (lbs.)	Dimensions (mm)				
				B	C	D	E	L
JCW324	6 × 100	100	0.35	145	215	12	10	100
JCW325	8 × 125	200	0.53	185	280	14	12	125
JCW326	10 × 150	300	0.79	210	325	16	14	150
JCW327	12 × 200	500	1.41	275	430	19	18	200
JCW328	16 × 250	1000	3.18	345	540	23	24	250
JCW329	20 × 300	1500	4.96	435	670	28	26	300
JCW330	22 × 330	2200	7.79	480	740	34	32	330
JCW331	24 × 350	3000	9.58	555	830	36	36	350



Item No.	Size (M)	Breaking Load (t)	Weight (kg)	Dimensions (mm)								
				A	B	C	D	H	1	2	R1	R2
JCW332	M24	13	2.9	400	75	35	210	22	16	12	15	20
JCW333		18	2.9	400	75	35	210	36	18	12	15	20
JCW334	M24	13	3.4	500	75	35	260	22	16	12	15	20
JCW335		18	3.4	500	75	35	260	36	18	12	15	20
JCW336	M27	20	4	400	75	35	210	33	20	12	17.5	21.5
JCW337		25	4	400	75	35	210	42	20	12	17.5	21.5
JCW338	M27	20	4.6	500	75	35	260	33	20	12	17.5	21.5
JCW339		25	4.6	500	75	35	260	42	20	12	17.5	21.5
JCW340	M30	-	4.5	400	75	35	210	-	-	12	22.5	25.5
JCW341		25	4.5	400	75	35	210	45	22	12	22.5	25.5
JCW342	M30	-	5.5	500	75	35	260	-	-	12	22.5	25.5
JCW343		25	5.5	500	75	35	260	45	22	12	22.5	25.5
JCW344	M38	30	7.8	480	80	35	255	40	25	12	28	28
JCW345		-	9	480	80	35	-	-	-	-	-	-

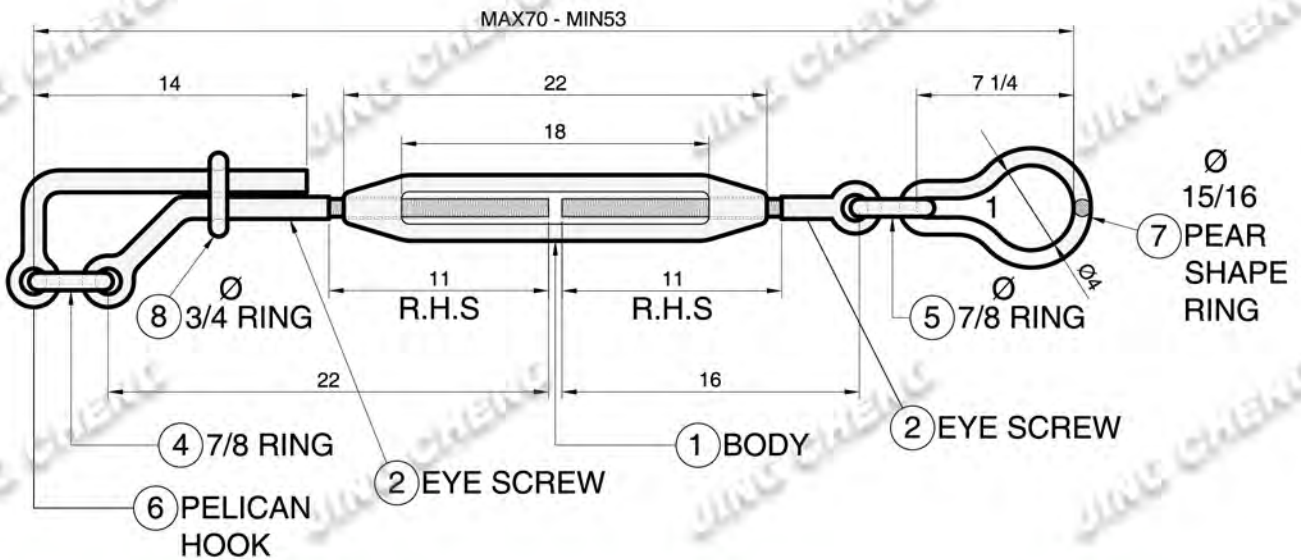


## JIS FRAME TYPE TURNBUCKLE



Item No.	Size (D)		Body Only					Eye & Eye			Hook & Eye		Hook & Hook			With Stubs				
			A	B	C	T.L	W/ Pcs	F	T.L	W/ Pcs	T.L	W/ Pcs	E	T.L	W/ Pcs	H	I	G	W/ Pcs	
JCW346	mm	in	mm	in	mm	mm	Ton	kg	mm	Ton	kg	Ton	kg	mm	Ton	kg	mm	mm	mm	kg
JCW347	6	1/4	100	4	78	11	1	0.08	10	0.1	0.12	0.04	0.11	9	0.04	0.11	80	50	5.3	0.11
JCW348	8	5/16	125	5	100	12.5	1.2	0.15	12	0.2	0.22	0.08	0.22	9	0.08	0.22	100	63	6.9	0.22
JCW349	9	3/8	150	6	120	12.5	1.5	0.17	16	0.5	0.3	0.15	0.29	11	0.15	0.29	130	75	8.3	0.27
JCW350	12	1/2	200	8	164	18	2	0.29	20	2	0.58	0.35	0.59	16	0.35	0.57	150	100	11.2	0.51
JCW351	16	5/8	250	10	202	21.5	3	0.52	22	3	1.07	0.7	1.05	19	0.7	1.03	180	125	14.2	0.95
JCW352	19	3/4	300	12	250	25	4	0.85	28	4	1.77	1	1.78	20	1	1.77	220	150	17.2	1.62
JCW353	22	7/8	325	13	269	28	5	1.17	33	5	2.55	1.5	2.58	21	1.5	2.6	250	165	20.3	2.34
JCW354	25	1	350	14	285	32.5	6	1.69	35	6	3.79	2	3.77	26	2	3.72	270	175	23.3	3.27
JCW355	32	1-1/4	400	16	310	45	8	3.51	36*70	10	7.6	3	7.52	34	3	7.44	300	200	29	6.52
JCW356	38	1-1/2	450	18	350	55	10	5.08	40*80	15	13.5	4	12.8	35	4	22	330	225	38	13
JCW357	44	1-3/4	500	20	386	57	-	9	-	-	-	-	-	-	22	-	250	44	-	-
JCW358	50	2	550	22	420	65	-	11.5	-	-	-	-	-	-	29	-	275	50	-	-

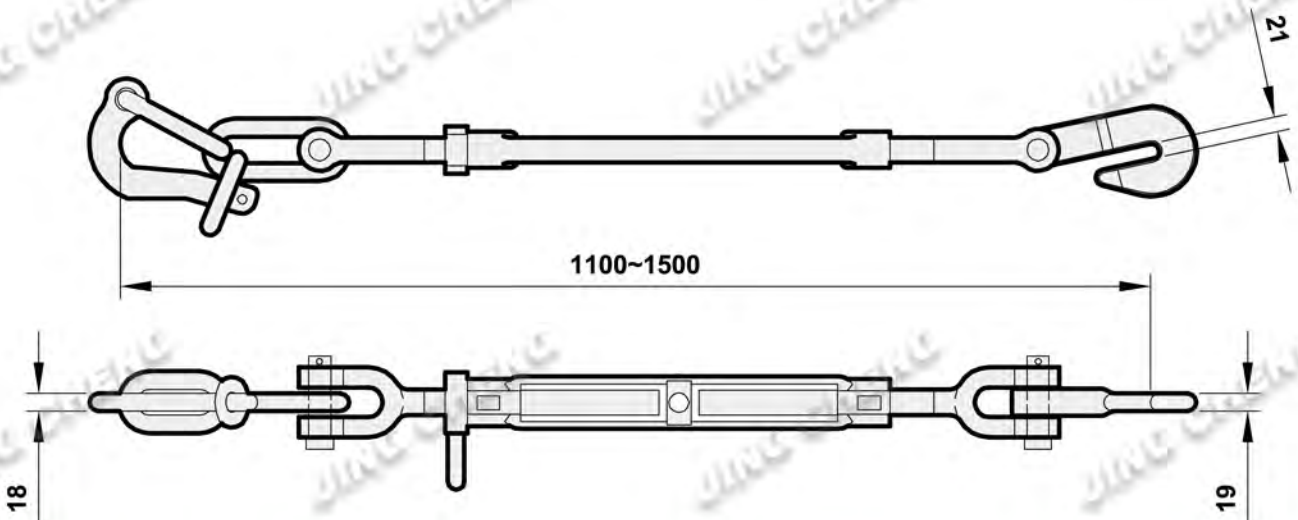
## DECKLASHING TURNBUCKLE WITH PELICAN AND PEAR SHAPE LINK



Item No.	Size (in)	Working Load Limit (t)	Dimensions (mm)		Weight (kg)
			Max. Length	Min. Length	
JCW359	1-1/4 x 18	25.5	1775	1270	16.8



## DECKLASHING TURNBUCKLE, SLIP HOOK & HOOK TYPE



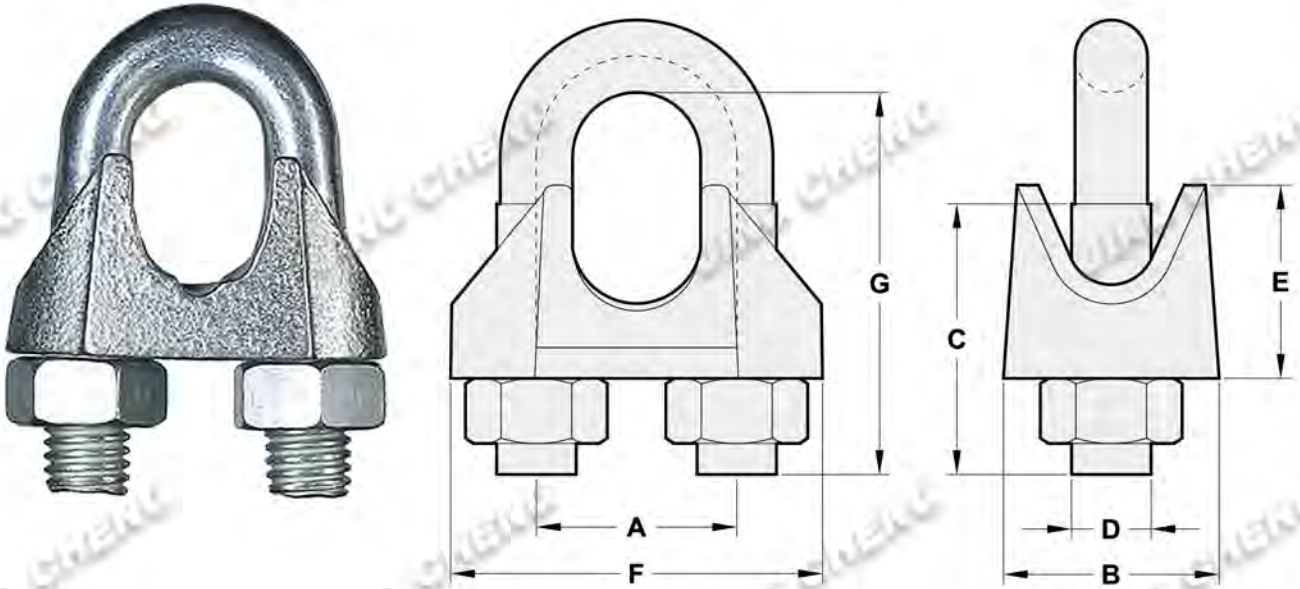
Item No.	Size (in)	S.W.L (kn)	B.L (kn)	Dimensions (mm)		Weight (kg)
				Max. Length	Min. Length	
JCW360	1 x 18	40	160	1500	1100	12.5

If you are in need of other types  
not listed in our catalogue  
please contact our sales department.







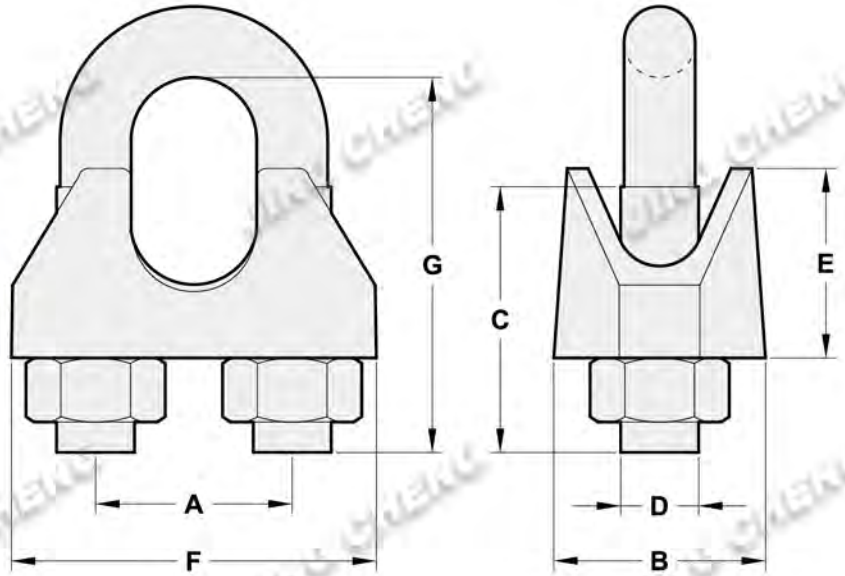


- Meet Performance requirements of Germany Standard
- Finish: Electric gavanized
- Packing available with Carton Box or Gunny Bag

Item No.	Size		Weight (kg)	Dimensions (mm)						
	mm	in		A	B	C	D	E	F	G
JCW361	3	1/8	0.014	9	10	12	4	10	21	20
JCW362	5	3/16	0.015	11	11	13	5	10	23	24
JCW363	6.5	1/4	0.021	13	12	15	5	11	26	28
JCW364	8	5/16	0.041	16	14	19	6	15	30	34
JCW365	10	3/8	0.068	19	18	22	8	17	34	42
JCW366	11	7/16	0.072	20	19	22	8	18	36	54
JCW367	13	1/2	0.130	24	23	30	10	21	42	55
JCW368	14	9/16	0.135	25	23	30	10	22	44	57
JCW369	16	5/8	0.210	29	26	33	12	26	50	63
JCW370	19	3/4	0.280	32	29	38	12	30	54	75
JCW371	22	7/8	0.400	37	33	44	14	34	61	85
JCW372	26	1	0.440	41	35	45	14	37	65	95
JCW373	30	1-1/8	0.660	48	37	50	16	43	74	110
JCW374	34	1-1/4	0.850	52	42	55	16	50	80	120
JCW375	40	1-1/2	1.040	58	45	60	16	55	88	140



## DIN1142 WIRE ROPE CLIPS

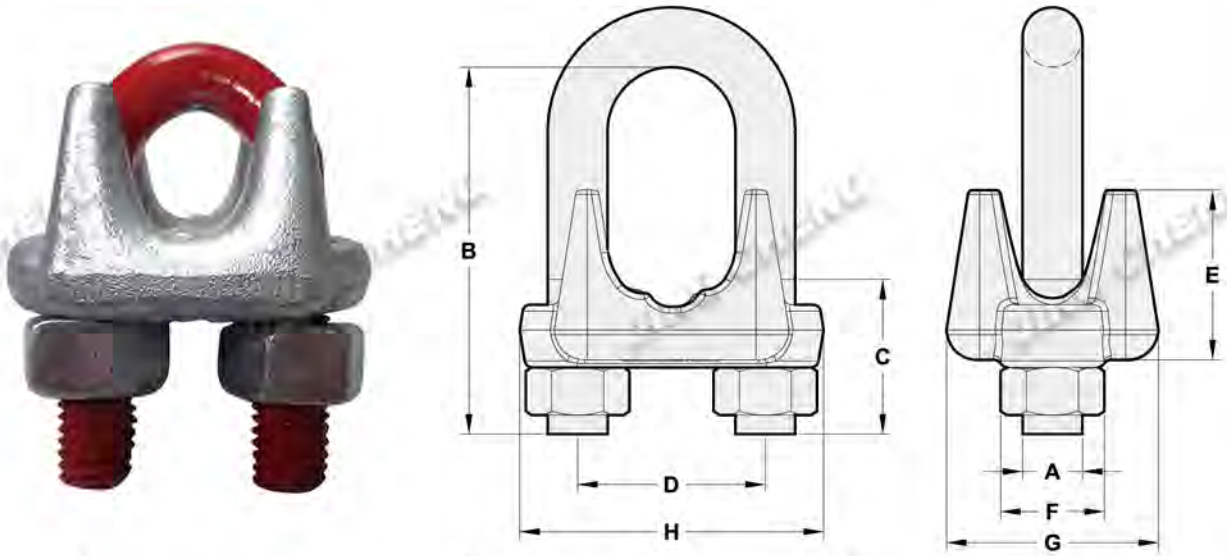


- Meet Performance requirements of Germany Standard
- Finish: Electric gavanized
- Packing available with Carton Box or Gunny Bag

Item No.	Size (mm)	Weight Per 100 (kg)	Dimensions (mm)						
			A	B	C	D	E	F	G
JCW376	5	2.08	5	13	13	5	13	25	25
JCW377	6.5	4	6	16	17	6	14	30	32
JCW378	8	8.2	8	20	20	8	18	39	41
JCW379	10	9.2	8	20	24	8	21	40	46
JCW380	13	27.5	12	28	30	12	29	55	64
JCW381	16	43	14	32	35	14	35	64	76
JCW382	19	49	14	32	36	14	40	68	83
JCW383	22	68	16	34	40	16	44	74	96
JCW384	26	117	20	38	50	20	51	84	111
JCW385	30	140	20	41	55	20	59	95	127
JCW386	34	213	22	45	60	22	67	105	141
JCW387	40	268	24	49	65	24	77	117	159



## US TYPE FORGED WIRE ROPE CLIPS G450

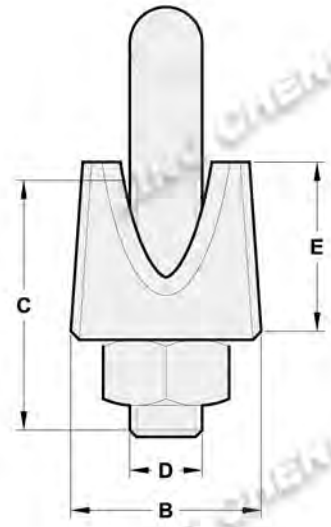
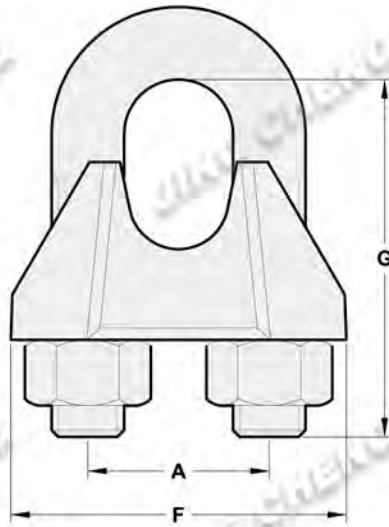


- Meet Performance requirements of Federal Specification FF-C-450D Type 1, Class 1
- Available with Drop Forged Steel
- Finish: Hot Dip Galvanized according to ASTM A153, Powder Coated or Electroplated
- Packing available with Carton Box or Gunny Bag

Item No.	Rope Size		Standard Package Qty.	Weight Per 100 (lbs)	Dimensions (in)							
	(in)	(mm)			A	B	C	D	E	F	G	H
JCW388	1/8	3-4	100	6	0.22	0.72	0.44	0.47	0.37	0.38	0.81	0.99
JCW389	3/16	5	100	10	0.25	0.97	0.56	0.59	0.50	0.44	0.94	1.18
JCW390	1/4	6-7	100	19	0.31	1.03	0.50	0.75	0.66	0.56	1.19	1.43
JCW391	5/16	8	100	28	0.38	1.38	0.75	0.88	0.73	0.69	1.31	1.66
JCW392	3/8	9-10	100	48	0.44	1.50	0.75	1.00	0.91	0.75	1.63	1.94
JCW393	7/16	11	50	78	0.50	1.88	1.00	1.19	1.13	0.88	1.91	2.28
JCW394	1/2	12-13	50	80	0.50	1.88	1.00	1.19	1.13	0.88	1.91	2.28
JCW395	9/16	14-15	50	109	0.56	2.25	1.25	1.31	1.34	0.94	2.06	2.50
JCW396	5/8	16	50	110	0.56	2.25	1.25	1.31	1.34	0.94	2.06	2.50
JCW397	3/4	18-20	25	142	0.62	2.75	1.44	1.50	1.39	1.06	2.25	2.84
JCW398	7/8	22	25	212	0.75	3.12	1.62	1.75	1.58	1.25	2.44	3.16
JCW399	1	24-26	10	252	0.75	3.50	1.81	1.88	1.77	1.25	2.63	3.47
JCW400	1-1/8	28-30	10	283	0.75	3.88	2.00	2.00	1.91	1.44	2.81	3.59
JCW401	1-1/4	32-34	10	438	0.88	4.44	2.22	2.34	2.17	1.44	3.13	4.13
JCW402	1-3/8	36	10	442	0.88	4.44	2.22	2.34	2.31	1.44	3.13	4.19
JCW403	1-1/2	38	10	544	0.88	4.94	2.38	2.59	2.44	1.63	3.41	4.44
JCW404	1-5/8	41-42	Buck	704	1.00	5.31	2.62	2.75	2.66	1.81	3.63	4.75
JCW405	1-3/4	44-46	Buck	934	1.13	5.75	2.75	3.06	2.92	2.00	3.81	5.24
JCW406	2	48-52	Buck	1300	1.25	6.44	3.00	3.38	3.03	2.00	4.44	5.88
JCW407	2-1/4	56-58	Buck	1600	1.25	7.13	3.19	3.88	3.19	2.00	4.56	6.38
JCW408	2-1/2	62-65	Buck	1900	1.25	7.69	3.44	4.13	3.69	2.00	4.69	6.63
JCW409	2-3/4	68-72	Buck	2300	1.25	8.31	3.56	4.38	4.88	2.00	5.00	6.88
JCW410	3	75-78	Buck	3100	1.50	9.19	3.88	4.75	4.44	2.38	5.31	7.61
JCW411	3-1/2	85-90	Buck	4000	1.50	10.75	4.50	5.50	6.00	2.38	6.19	8.38

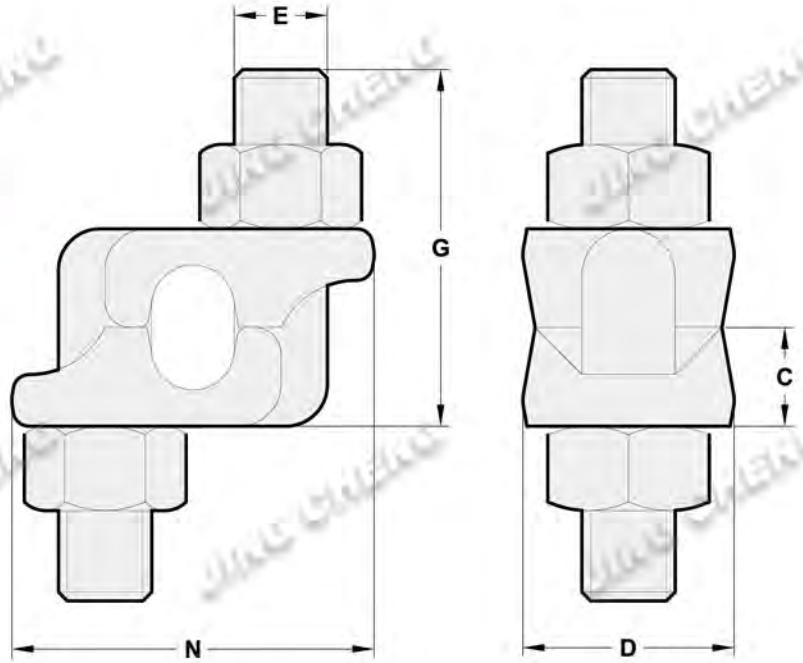


## US TYPE MALLEABLE WIRE ROPE CLIPS



- Meet Performance requirements of Federal Specification FF-C-450D Type 1, Class 2
- Available with Casted Steel
- Finish: Hot Dip Galvanized according to ASTM A153, or Electro-galvanized
- Packing available with Carton Box or Gunny Bag

Item No.	Rope Size		Weight Each (kg)	Dimensions (in)						
	(in)	(mm)		A	B	C	D	E	F	G
JCW412	1/16	1.5-2	0.0136	0.38	0.45	0.45	0.15	0.45	0.69	0.65
JCW413	1/8	3-4	0.0182	0.50	0.56	0.50	0.18	0.50	0.94	0.81
JCW414	3/16	5	0.0286	0.56	0.63	0.56	0.25	0.56	1.06	0.94
JCW415	1/4	6-7	0.0591	0.75	0.75	0.75	0.31	0.75	1.31	1.19
JCW416	5/16	8	0.0682	0.75	0.75	0.84	0.31	0.84	1.44	1.31
JCW417	3/8	9-10	0.0955	0.88	0.88	1.00	0.38	1.00	1.63	1.63
JCW418	7/16	11	0.1682	1.06	1.06	1.19	0.44	1.19	1.88	2.00
JCW419	1/2	12-13	0.1682	1.06	1.06	1.19	0.44	1.19	1.88	2.00
JCW420	9/16	14-15	0.2682	1.25	1.28	1.38	0.50	1.38	2.09	2.31
JCW421	5/8	16	0.2682	1.25	1.28	1.38	0.50	1.38	2.09	2.31
JCW422	3/4	18-20	0.3818	1.31	1.56	1.56	0.56	1.56	2.38	2.56
JCW423	7/8	22	0.5682	1.63	1.81	1.81	0.63	1.81	2.88	3.06
JCW424	1	24-26	0.7545	1.88	2.00	2.00	0.63	2.00	3.00	3.44
JCW425	1-1/8	28-30	1.1045	2.00	2.06	2.75	0.75	2.75	3.38	4.00

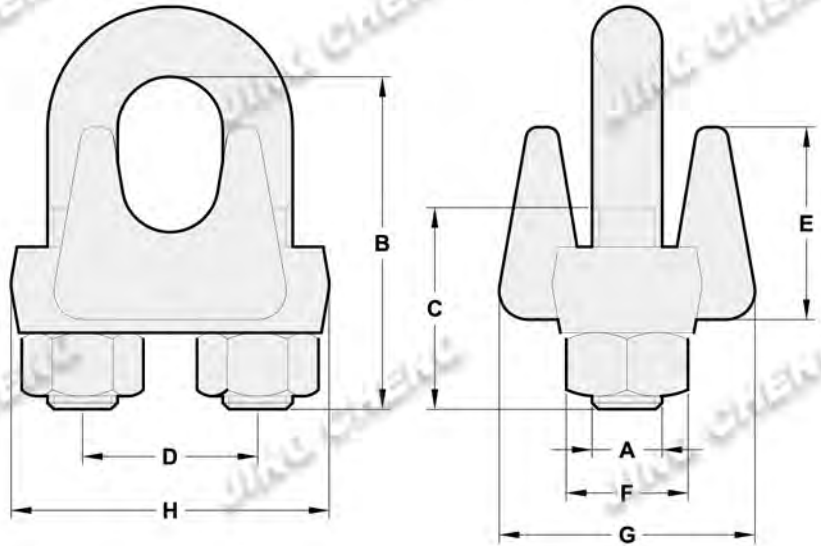


- Meet Performance requirements of Federal Specification FF-C-450D Type 1, Class 3
- Available with Drop Forged Steel
- Finish: Hot Dip Galvanized according to ASTM A153, or Electroplated
- Packing available with Carton Box or Gunny Bag

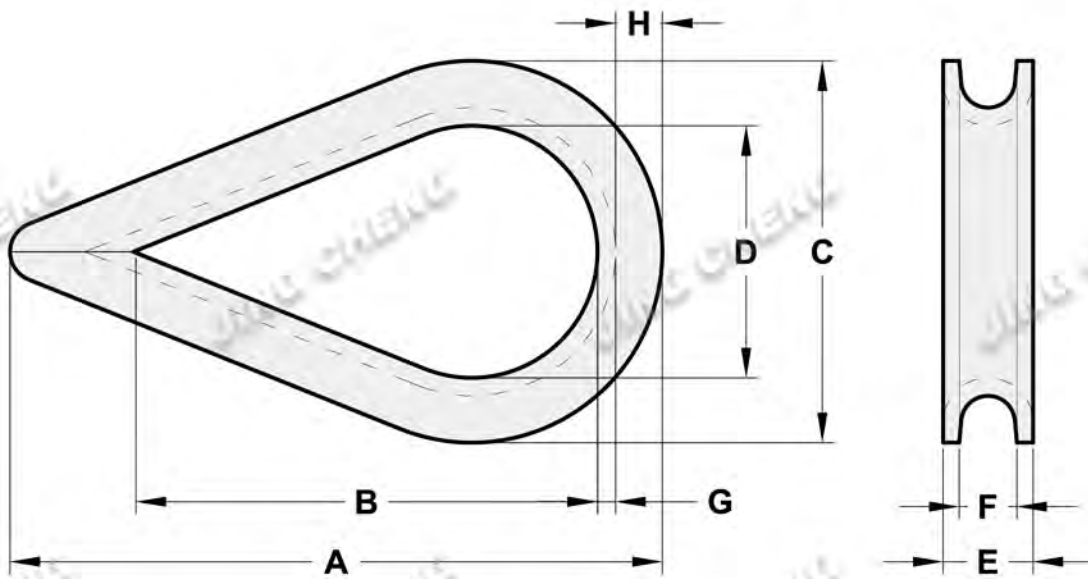
Item No.	Rope Size		Weight Per 100 (lbs)	Dimensions (in)				
	(in)	(mm)		C	D	E	G	N
JCW426	3/16-1/4	5-7	23	0.40	0.94	0.38	1.41	1.44
JCW427	5/16	8	28	0.47	1.06	0.38	1.50	1.54
JCW428	3/8	10	40	0.51	1.06	0.44	1.84	1.78
JCW429	7/16-1/2	11-13	62	0.59	1.25	0.50	2.21	2.15
JCW430	9/16-5/8	14-16	103	0.72	1.50	0.63	2.72	2.57
JCW431	3/4	18-20	175	0.86	1.81	0.75	2.94	2.67
JCW432	7/8	22	225	0.97	2.12	0.75	3.31	2.86
JCW433	1	24-26	300	1.13	2.25	0.75	3.72	3.06
JCW434	1-1/8	28-30	400	1.28	2.38	0.88	4.22	3.44
JCW435	1-1/4	32-34	400	1.34	2.50	0.88	4.25	3.56
JCW436	1-3/8 - 1-1/2	36-40	700	1.56	3.00	1.00	5.56	4.12



## TYPE A WIRE ROPE CLIPS



Item No.	Size (mm)	Weight Per 100 (kg)	Dimensions (mm)						
			A	B	C	D	E	F	G
JCW437	6	2.5	12	17	14	5	14	23	24
JCW438	8	4.5	15	21	16	6	17	28	30
JCW439	10	9	19	28	20	8	21	38	37
JCW440	12	18	24	34	25	10	27	45	47
JCW441	15	28	29	40	30	12	32	52	56
JCW442	20	47	36	47	36	14	38	62	70
JCW443	22	62	40	52	39	16	43	69	77
JCW444	25	85	43	56	44	18	50	76	85
JCW445	28	120	48	62	48	20	57	85	95
JCW446	32	157	55	67	51	22	61	93	108
JCW447	40	261	64	81	62	24	73	111	120
JCW448	45	363	72	88	70	27	86	123	137
JCW449	50	480	80	95	80	30	95	135	154

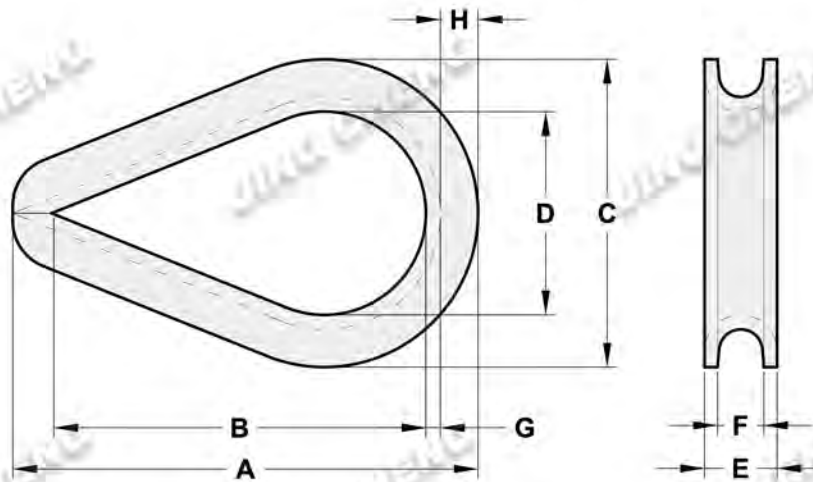


- Meet Performance requirements of Federal Specification FF-T-276b, Type II
- Finish: Hot Dip Galvanized
- Packing available with Carton Box or Gunny Bag

Item No.	Rope Size		Weight Per 100 (lbs)	Dimensions (in)							
	(in)	(mm)		A	B	C	D	E	F	G	H
JCW450	1/8	3-4	3.5	1.94	1.31	1.06	0.69	0.25	0.16	0.05	0.13
JCW451	3/16	5	3.5	1.94	1.31	1.06	0.69	0.31	0.22	0.05	0.13
JCW452	1/4	6-7	3.5	1.94	1.31	1.06	0.69	0.38	0.28	0.05	0.13
JCW453	5/16	8	4.0	2.13	1.50	1.25	0.81	0.44	0.34	0.05	0.13
JCW454	3/8	9-10	6.7	2.38	1.63	1.47	0.94	0.53	0.41	0.06	0.16
JCW455	1/2	11-13	12.5	2.75	1.88	1.75	1.13	0.69	0.53	0.08	0.19
JCW456	5/8	16	34.5	3.50	2.25	2.38	1.38	0.91	0.66	0.13	0.34
JCW457	3/4	18-20	47.1	3.75	2.50	2.69	1.63	1.08	0.78	0.14	0.34
JCW458	7/8	22	84.6	5.00	3.50	3.19	1.88	1.27	0.94	0.16	0.44
JCW459	1	24-26	97.5	5.69	4.25	3.75	2.50	1.39	1.06	0.16	0.41
JCW460	1-1/8-1-1/4	28-32	175	6.25	4.50	4.31	2.75	1.75	1.31	0.22	0.50

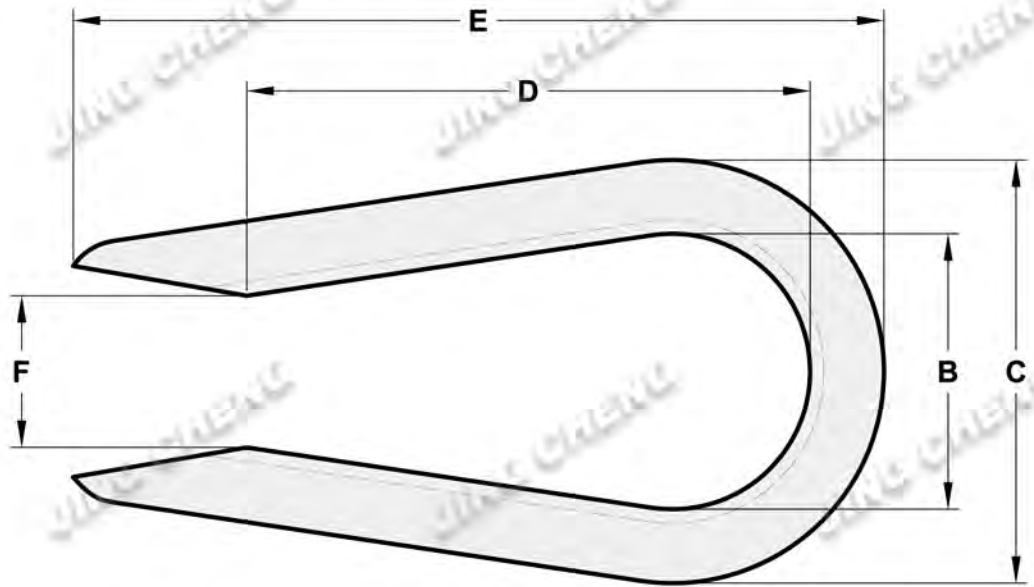


## US HEAVY DUTY THIMBLE G414



- Meet Performance requirements of Federal Specification FF-T-276b, Type III
- Finish: Hot Dip Galvanized
- Packing available with Carton Box or Gunny Bag

Item No.	Rope Size		Weight Per 100 (lbs)	Dimensions (in)							
	(in)	(mm)		A	B	C	D	E	F	G	H
JCW461	1/4	6-7	7	2.19	1.62	1.50	0.88	0.41	0.28	0.06	0.25
JCW462	5/16	8	14	2.50	1.88	1.81	1.06	0.50	0.34	0.08	0.30
JCW463	3/8	9-10	23	2.88	2.12	2.12	1.12	0.63	0.41	0.11	0.39
JCW464	7/16	11-12	37	3.25	2.38	2.38	1.25	0.72	0.47	0.12	0.45
JCW465	1/2-9/16	13-15	50	3.62	2.75	2.75	1.50	0.89	0.59	0.15	0.48
JCW466	5/8	16	82	4.25	3.25	3.12	1.75	1.00	0.66	0.16	0.53
JCW467	3/4	18-20	157	5.00	3.75	3.81	2.00	1.22	0.78	0.22	0.69
JCW468	7/8	22	190	5.50	4.25	4.25	2.25	1.38	0.94	0.22	0.78
JCW469	1	24-26	280	6.12	4.50	4.75	2.50	1.56	1.06	0.25	0.88
JCW470	1-1/8-1-1/4	28-32	-	7.00	5.12	5.88	2.88	1.88	1.31	0.25	1.25
JCW471	1-1/4-1-3/8	32-35	830	9.08	6.50	6.81	3.50	2.25	1.44	0.37	1.29
JCW472	1-3/8-1-1/2	35-38	1250	9.00	6.25	7.12	3.50	2.62	1.56	0.50	1.31
JCW473	1-5/8	40	-	11.25	8.00	8.12	4.00	3.00	1.72	0.50	1.38
JCW474	1-3/4	44	1860	12.19	9.00	8.50	4.50	3.06	1.84	0.50	1.50
JCW475	1-7/8-2	48-52	2780	15.12	12.00	10.38	6.00	3.38	2.09	0.50	1.69
JCW476	2-1/4	56	-	17.50	14.00	11.88	7.00	3.88	2.38	0.62	1.82

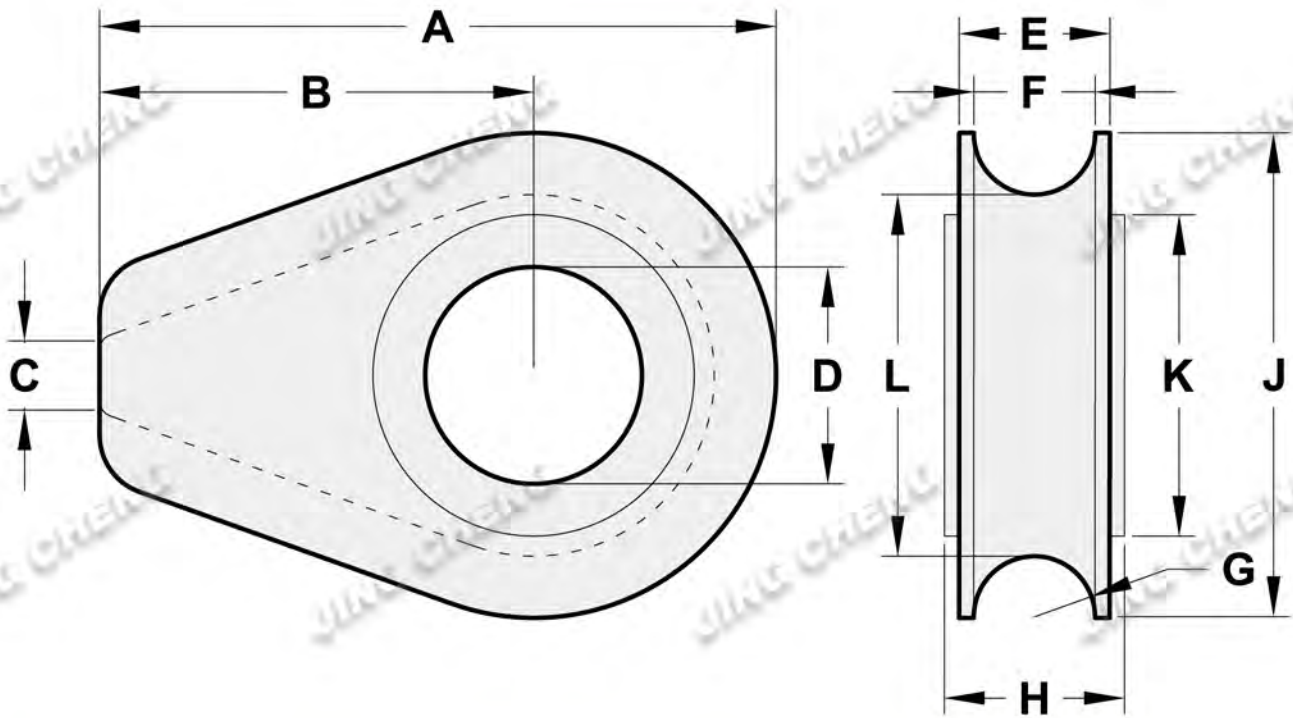


- Meet Performance requirements of Federal Specification FF-T-276b, Type III
- Finish: Hot Dip Galvanized
- Packing available with Carton Box or Gunny Bag

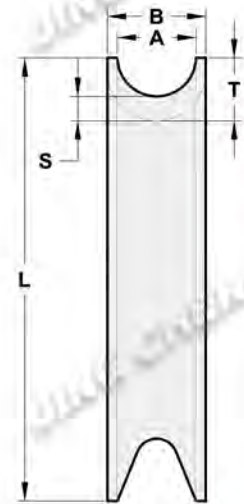
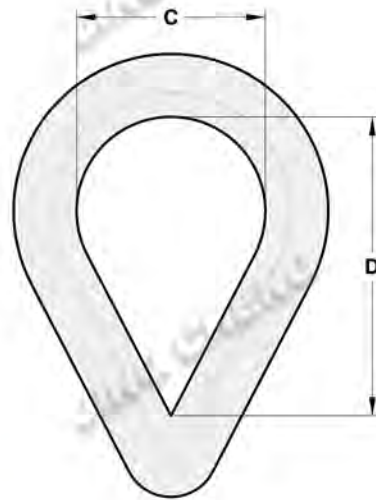
Item No.	Size (in)	Weight Per 100 (lbs)	Dimensions (in)					
			A	B	C	D	E	F
JCW477	1/4	3	0.28	0.69	1.06	1.41	2.03	0.38
JCW478	5/16	3.8	0.34	0.81	1.25	1.53	2.16	0.50
JCW479	3/8	7	0.44	0.94	1.47	1.72	2.47	0.62
JCW480	1/2	12.5	0.53	1.12	1.75	1.97	2.84	0.75
JCW481	5/8	25	0.66	1.38	2.38	2.34	3.59	1.00



## US TYPE SOLID WIRE ROPE THIMBLES S412



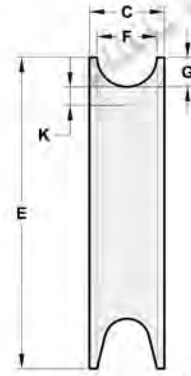
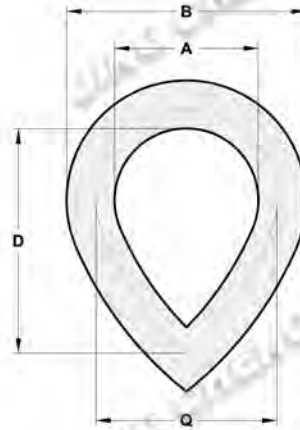
Item No.	Rope Size		Weight Per 100 (lbs)	Dimensions (in)										
	(in)	(mm)		A	B	C	D	E	F	G	H	J	K	L
JCW482	1/2	13	0.61	2.81	1.75	0.25	1.06	0.75	0.56	0.28	0.88	2.13	1.63	1.56
JCW483	5/8	16	2.21	4.69	3.00	0.38	1.31	1.06	0.81	0.41	1.13	3.38	2.25	2.56
JCW484	3/4	18-20	2.32	4.69	3.00	0.38	1.50	1.06	0.81	0.41	1.38	3.38	2.25	2.56
JCW485	7/8	22	5.45	6.06	3.81	0.50	1.75	1.38	1.06	0.53	1.63	4.50	3.25	3.44
JCW486	1	24-26	5.25	6.06	3.81	0.50	2.13	1.38	1.06	0.53	1.81	4.50	3.25	3.44
JCW487	1-1/8	28-30	9.29	7.25	4.56	0.63	2.38	1.75	1.31	0.66	2.06	5.38	3.88	4.06
JCW488	1-1/4 - 1-3/8	32-35	9.81	7.25	4.56	0.63	2.63	1.94	1.53	0.78	2.31	5.38	3.88	4.13



Item No.	Size (mm)	Dimensions (mm)					
		A	B	C	D	S	T
JCW489	2.5	2.5-3	4.5	12	19	1.6	4
JCW490	3.5	3.5-4	5.5	13	21	1.6	4.25
JCW491	4	4-5	6.5	14	23	1.9	4.5
JCW492	5	5-6	7.5	16	25	2.4	6.5
JCW493	6	6-7	8.5	18	28	2.4	7
JCW494	7	7-8	10	20	32	2.8	8
JCW495	9	9-10	12.5	24	38	3.1	8
JCW496	11	11-12	15	28	45	3.3	9.5
JCW497	13	13x13	16	30	48	3.3	10
JCW498	13x14	13-14	17.5	32	51	3.7	11
JCW499	15	15-16	20	36	58	3.8	12.5
JCW500	17x17	17x17	21	38	61	4.5	13
JCW501	16	16-18	22	40	64	4.7	13
JCW502	18	18-20	24.5	45	72	5.7	15
JCW503	20	20-22	27	50	80	5.7	16
JCW504	22	22-24	30	56	90	6.5	17
JCW505	24	24-26	33	62	99	6.8	21.5
JCW506	26	26-28	35	70	112	8	23
JCW507	28	28-30	37	75	120	8	25.5
JCW508	30	30-32	39	80	128	8	26.5
JCW509	32	32-34	41	95	152	8	27
JCW510	34	34-36	43	100	160	8.5	27.5
JCW511	36	36-38	45	110	176	8.5	27.5
JCW512	38	38-40	48	115	184	10.5	33
JCW513	40	40-42	50	120	192	10.5	33
JCW514	42	42-45	57	150	240	10.5	37.5
JCW515	46	46-48	58	160	256	14	42
JCW516	50	50-52	60	170	272	16	46
JCW517	54	54-56	64	180	288	20	52
JCW518	56	56-58	67	180	299	21	53
JCW519	62	62-64	74	190	300	22	55
JCW520	64	64-66	77	200	320	23	56



## BS464 THIMBLES



Item No.	Nominal Dia of Rope		Approx Circle	A		B		C		D		E		F		G		K		Q	
	in	mm		in	mm	in	mm	in	mm	in	mm	in	mm	in	mm	in	mm	in	mm	in	mm
JCW521	5/16	8	1	7/8	22.2	1-1/2	1/2	12.7	1-5/16	33.4	2-1/8	52	4/16	7.9	5/32	4	5/32	4	1-3/16	30.1	
JCW522	3/8	9	1-1/4	1	25.4	1-7/8	9/16	14.3	1-1/2	38	2-1/2	64	13/32	10.3	1/4	6.3	3/16	4.8	1-3/8	35	
JCW523	7/16	11	1-1/2	1-1/8	28.6	2-1/8	11/16	17.5	1-1/2	41.3	2-7/8	73	1/2	12.7	5/16	7.9	3/16	4.8	1-1/2	38	
JCW524	1/2	13	1-5/8	1-1/4	31.7	2-5/16	13/16	20.6	1-3/4	44.5	3-1/8	79.4	9/16	14.3	5/16	7.9	7/32	5.5	1-11/16	42.9	
JCW525	9/16	14	1-3/4	1-1/4	31.7	2-5/16	13/16	20.6	1-3/4	44.5	3-1/8	79.4	9/16	14.3	5/16	7.9	7/32	5.5	1-11/16	42.9	
JCW526	5/8	16	2	1-5/8	41.3	2-15/16	7/8	22.2	2-5/16	58.8	3-7/8	95.8	5/8	15.9	11/32	8.7	5/16	7.9	2-1/4	56	
JCW527	11/16	17	2-1/4	1-3/4	44.5	3-1/8	1-1/8	28.6	2-5/8	66.6	4-1/4	108	3/4	19	3/8	9.5	5/16	7.9	2-3/8	60.4	
JCW528	3/4	19	2-3/8	2	50.8	3-5/8	1-1/8	28.6	2-7/8	73	4-7/8	124	13/16	20.6	7/16	11.1	3/8	9.5	2-3/4	69.8	
JCW529	13/16	21	2-1/2	2	50.8	3-5/8	1-1/8	28.6	2-7/8	73	4-7/8	121	13/16	20.6	7/16	11.1	3/8	9.5	2-3/4	69.8	
JCW530	7/8	22	2-3/4	2-1/4	56	4	1-1/4	31.7	3-1/4	82.5	4-1/4	131	7/8	22.2	1/2	12.7	3/8	9.5	3	76.2	
JCW531	15/16	24	3	2-1/2	64	5-11/16	1-5/16	33.4	3-5/8	92	5-3/4	146	1	25.4	1/2	12.7	13/32	10.3	3-5/16	84	
JCW532	1	25	3-1/4	2-3/4	69.8	5-11/16	1-3/8	35	4-1/4	108	6-3/8	162	1-1/16	27	9/16	14.3	13/32	10.3	3-9/16	90.5	
JCW533	1-1/8	29	3-1/2	3	76.2	5-1/4	1-1/8	38	4-3/8	112	7	178	1-1/8	28.6	5/8	15.9	1/2	12.7	4	102	
JCW534	1-1/4	32	4	3-3/4	95	6	1-5/8	41.3	5-1/4	133	7-3/4	197	1-5/16	33.4	5/8	15.9	1/2	12.7	4-3/4	121	
JCW535	1-3/8	35	4-1/2	4-1/8	105	6-7/8	1-7/8	47.6	6	152	9	228	1-1/2	38	3/4	19	5/8	15.9	5-3/8	137	
JCW536	1-1/2	38	5	4-1/2	114	7-3/4	2-1/8	52	6-1/2	165	10	254	1-5/8	41.3	15/16	23.8	1-1/16	17.5	5-7/8	149	
JCW537	1-5/8	41	5-1/4	4-1/2	114	7-3/4	2-3/16	58.6	6-1/2	165	10	254	1-11/16	42.9	15/16	23.8	1-1/16	17.5	5-7/8	149	
JCW538	1-3/4	44	5-1/2	5	127	9	2-1/4	56	7	178	11-1/4	286	2	50.8	1	25.4	1	25.4	7	178	
JCW539	1-7/8	48	6	5-1/4	133	9-3/4	2-5/8	66.6	7-1/2	190	12-1/4	317	2-3/8	60.4	1-1/8	28.6	1-1/8	28.6	7-1/2	190	
JCW540	2	51	6-1/4	5-1/2	140	10-1/8	2-2/4	69.8	8	203	13	330	2-1/8	64	1-3/16	30.1	1-1/8	28.6	7-3/4	197	
JCW541	2-1/8	54	6-1/2	5-1/2	140	10-1/8	2-3/4	69.8	8	203	13	330	2-1/2	64	1-3/16	30.1	1-1/8	28.6	7-3/4	197	
JCW542	2-1/4	57	7	5-3/4	146	10-5/8	3	76.2	8-1/2	216	14	356	2-5/8	66.6	1-1/4	31.7	1-3/16	30.1	8-1/3	206	
JCW543	2-1/2	64	8	6-1/4	159	12-1/4	3-3/4	95	9-1/2	242	16-1/4	414	2-3/4	69.8	1-3/4	44.5	1-1/4	31.7	8-3/4	222	

If you are in need of other types  
not listed in our catalogue  
please contact our sales department.

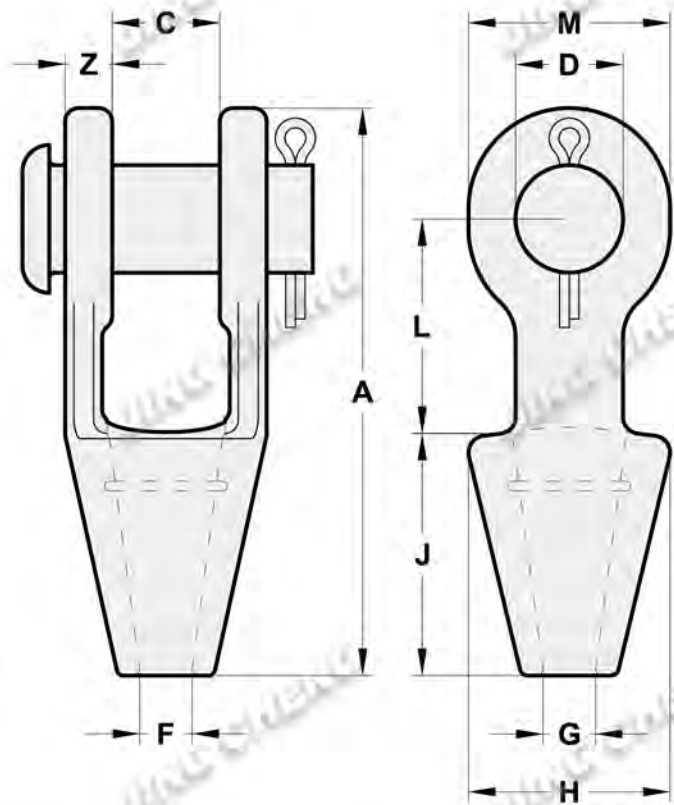








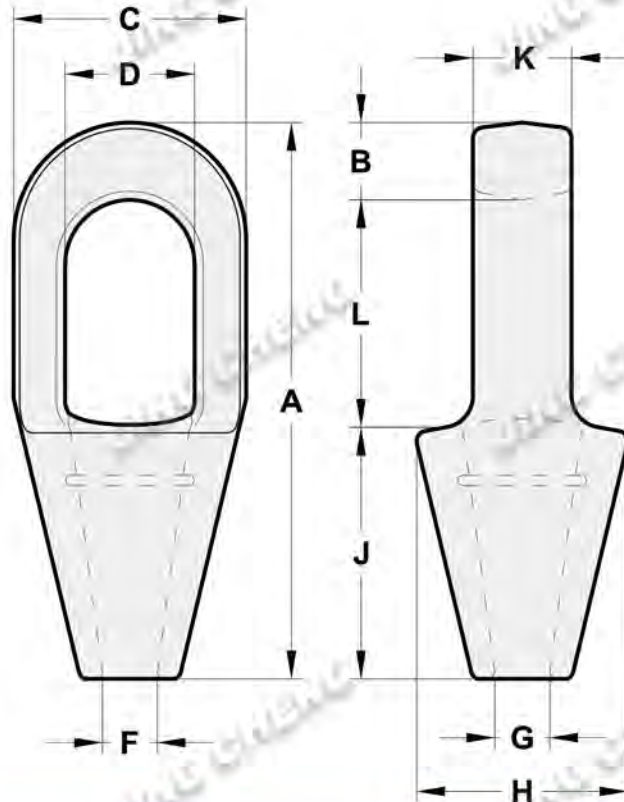
## G416/S416 OPEN SPELTER SOCKETS



Item No.	Rope Size		Ultimate Load (t)	Weight Each (lbs)	Dimensions (in)									
	(in)	(mm)			A	C	D	F	G	H	J	L	M	N
JCW544	1/4	6-7	4.5	1.10	4.56	0.75	0.69	0.38	0.69	1.56	2.25	1.56	1.31	0.56
JCW545	5/16-3/8	8-10	12	1.30	4.84	0.81	0.81	0.50	0.81	1.69	2.25	1.75	1.50	0.44
JCW546	7/16-1/2	10-13	20	2.25	5.56	1.00	1.00	0.56	0.94	1.88	2.50	2.00	1.88	0.50
JCW547	9/16-5/8	14-16	27	3.60	6.75	1.25	1.19	0.69	1.13	2.25	3.00	2.50	2.25	0.56
JCW548	3/4	18	43	5.83	7.94	1.50	1.38	0.81	1.25	2.62	3.50	3.00	2.62	0.62
JCW549	7/8	20-22	55	9.65	9.25	1.75	1.63	0.94	1.50	3.25	4.00	3.50	3.13	0.80
JCW550	1	24-26	78	15.50	10.56	2.00	2.00	1.13	1.75	3.75	4.50	4.00	3.75	0.88
JCW551	1-1/8	28-30	92	21.50	11.81	2.25	2.25	1.25	2.00	4.12	5.00	4.62	4.12	1.00
JCW552	1-1/4-1-3/8	32-35	136	31.00	13.19	2.50	2.50	1.50	2.25	4.75	5.50	5.00	4.75	1.13
JCW553	1-1/2	38	170	47.25	15.12	3.00	2.75	1.63	2.75	5.25	6.00	6.00	5.38	1.19
JCW554	1-5/8	40-42	188	55.00	16.25	3.00	3.00	1.75	3.00	5.50	6.50	6.50	5.75	1.38
JCW555	1-3/4-1-7/8	44-48	288	82.00	18.25	3.50	3.50	2.00	3.13	6.38	7.50	7.00	6.50	1.50
JCW556	2-2-1/8	50-54	291	129.00	21.50	4.00	3.75	2.25	3.75	7.38	8.50	9.00	7.00	1.81
JCW557	2-1/4-2-3/8	56-60	360	167.00	23.50	4.50	4.25	2.50	4.00	8.25	9.00	10.00	7.75	2.13
JCW558	2-1/2-2-5/8	64-67	424	252.00	25.50	5.00	4.75	2.88	4.50	9.25	9.75	10.75	8.50	2.38
JCW559	2-3/4--2-7/8	70-73	511	315.00	27.25	5.25	5.00	3.12	4.88	10.50	11.00	11.00	9.00	2.28
JCW560	3-2-1/8	75-80	563	380.00	29.00	5.75	5.25	3.38	5.25	11.12	12.00	11.25	9.50	3.00
JCW561	3-1/4-3-3/8	82-86	722	434.00	30.88	6.25	5.50	3.62	5.75	11.88	13.00	11.75	10.00	3.12
JCW562	3-1/2-3-5/8	88-92	779	563.00	33.25	6.75	6.00	3.88	6.50	12.38	14.00	12.50	10.75	3.25
JCW563	3-3/4-4	94-102	875	783.00	36.25	7.50	7.00	4.25	7.25	13.62	15.00	13.50	12.50	3.50

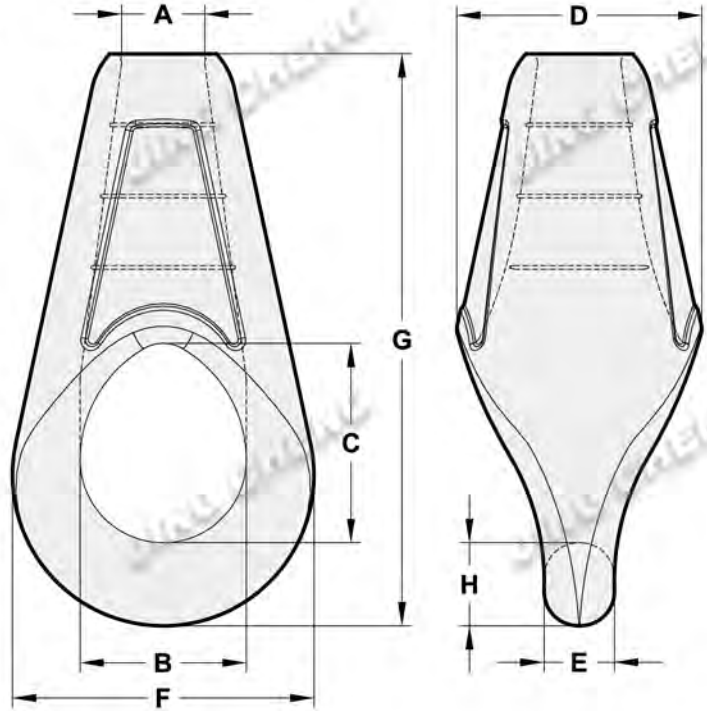


## G417/S417 CLOSED SPELTER SOCKETS



Item No.	Rope Size		Ultimate Load (t)	Weight Each (lbs)	Dimensions (in)									
	(in)	(mm)			A	B	C	D	F	G	H	J	K	L
JCW564	1/4	6-7	4.5	0.50	4.50	0.50	1.50	0.88	0.38	0.69	1.56	2.25	0.50	1.75
JCW565	5/16-3/8	8-10	12	0.75	4.94	0.62	1.69	0.97	0.50	0.81	1.69	2.25	0.69	2.06
JCW566	7/16-1/2	10-13	20	1.50	5.50	0.69	2.00	1.16	0.56	0.94	2.00	2.50	0.88	2.31
JCW567	9/16-5/8	14-16	30.8	2.50	6.31	0.81	2.63	1.41	0.69	1.12	2.38	3.00	1.00	2.50
JCW568	3/4	18	43.5	4.25	7.62	1.06	3.00	1.66	0.88	1.25	2.75	3.50	1.25	3.06
JCW569	7/8	20-22	65.3	7.25	8.75	1.25	3.63	1.94	1.00	1.50	3.25	4.00	1.50	3.50
JCW570	1	24-26	81.6	10.50	9.88	1.38	4.13	2.30	1.13	1.75	3.75	4.50	1.75	4.00
JCW571	1-1/8	28-30	100	14.25	11.00	1.50	4.50	2.56	1.25	2.00	4.13	5.00	2.00	4.50
JCW572	1-1/4-1-3/8	32-35	137	19.75	12.12	1.63	5.00	2.81	1.50	2.25	4.75	5.50	2.25	5.00
JCW573	1-1/2	38	170	29.20	13.94	1.94	5.38	3.19	1.63	2.75	5.25	6.00	2.50	6.00
JCW574	1-5/8	40-42	188	36.00	15.13	2.13	5.75	3.25	1.75	3.00	5.50	6.50	2.75	6.50
JCW575	1-3/4-1-7/8	44-48	268	57.25	17.25	2.19	6.75	3.75	2.00	3.13	6.38	7.50	3.00	7.56
JCW576	2-2-1/8	50-54	309	79.00	19.87	2.44	7.63	4.38	2.25	3.75	7.38	8.50	3.25	8.81
JCW577	2-1/4-2-3/8	56-60	360	105.00	21.50	2.75	8.50	5.00	2.63	4.13	8.25	9.00	3.63	9.75
JCW578	2-1/2-2-5/8	64-67	424	140.00	23.50	3.12	9.50	5.50	2.88	4.50	9.25	9.75	4.00	10.62
JCW579	2-3/4--2-7/8	70-73	549	220.00	25.38	3.12	10.75	6.25	3.12	4.88	10.19	11.00	4.88	11.25
JCW580	3-2-1/8	75-80	656	276.00	27.12	3.37	11.50	6.75	3.38	5.25	11.50	12.00	5.25	11.75
JCW581	3-1/4-3-3/8	82-86	750	313.00	29.25	4.00	12.25	7.25	3.62	5.75	12.25	13.00	5.75	12.25
JCW582	3-1/2-3-5/8	88-92	820	400.00	31.00	4.00	13.00	7.75	3.88	6.31	13.00	14.00	6.25	13.00
JCW583	3-3/4-4	94-102	1005	542.00	33.25	4.25	14.25	8.50	4.25	7.25	14.25	15.00	7.00	14.00

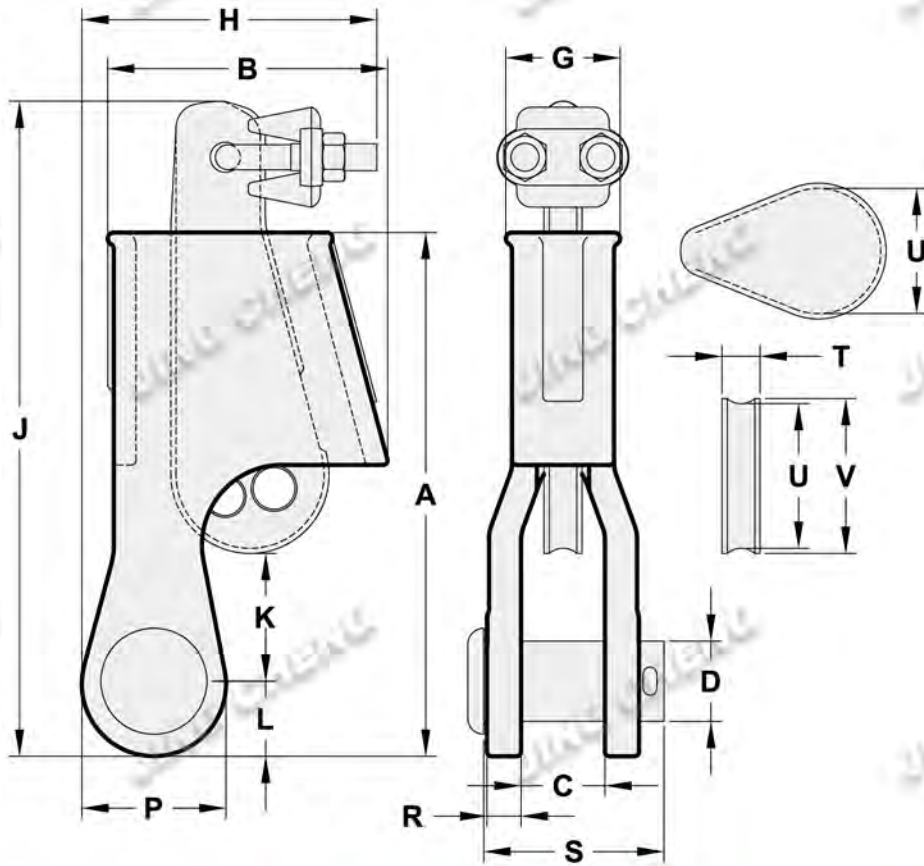




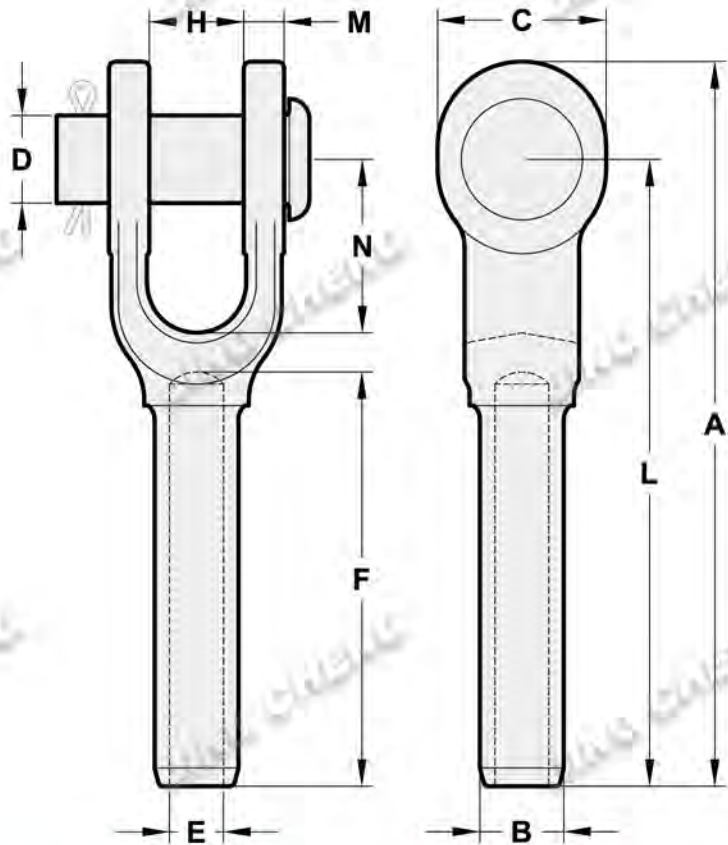
Item No.	Wire Rope Size		Ultimate Load (t)	Weight Each (lbs)	Dimensions (in)							
	(in)	(mm)			A	B	C	D	E	F	G	H
JCW584	1-1/4 - 1-3/8	32-35	113	17	1.63	3.09	3.63	4.45	1.44	5.13	10.89	1.53
JCW585	1-1/2 - 1-5/8	38-41	136	30	1.95	3.69	4.32	5.43	1.60	6.31	13.00	1.81
JCW586	1-3/4 - 1-7/8	44-48	181	43	2.23	4.16	4.53	6.30	1.84	7.22	14.11	2.09
JCW587	2 - 2-1/8	50-54	227	57	2.50	4.75	5.26	7.02	2.09	8.25	16.02	2.24
JCW588	2-1/4 - 2-3/8	57-60	277	76	2.78	5.25	5.78	7.72	2.31	9.16	17.90	2.62
JCW589	2-1/2 - 2-5/8	64-67	363	106	3.05	5.88	6.71	8.53	2.69	10.13	19.89	2.66
JCW590	2-3/4 - 2-7/8	70-73	454	138	3.33	6.50	7.13	9.35	3.00	11.09	21.63	2.98
JCW591	3 - 3-1/8	76-79	544	193	3.50	7.25	7.74	10.30	3.25	12.31	23.50	3.24
JCW592	3-1/4 - 3-3/8	82-86	635	229	3.81	7.62	8.80	10.94	3.50	13.13	25.75	3.43
JCW593	3-1/2 - 3-5/8	88-92	735	279	4.15	8.00	9.06	11.72	3.69	13.96	27.70	4.12
JCW594	3-3/4 - 4	95-102	907	384	4.39	8.75	10.50	12.91	3.69	15.88	30.13	4.46



## S421T WEDGE SOCKETS



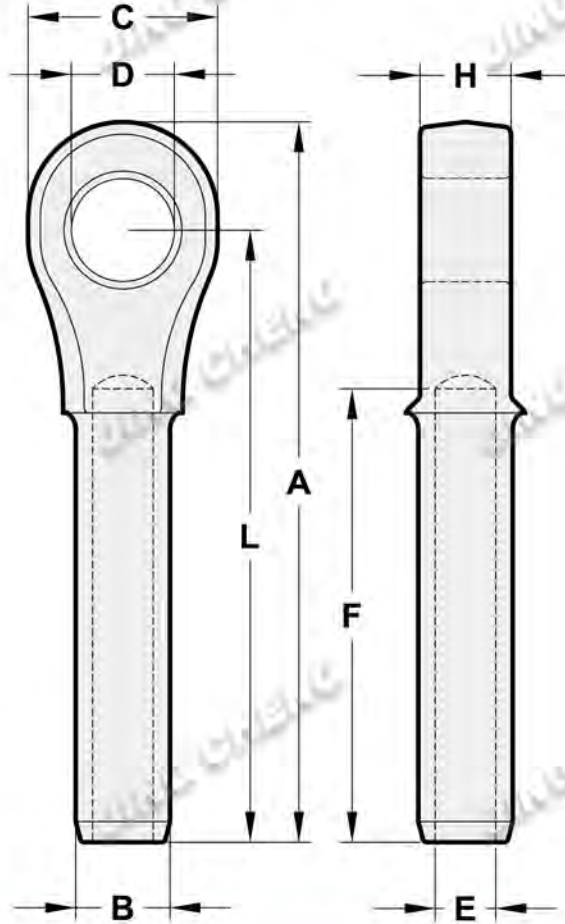
Item No.	Wire Rope Size		Weight Each (lbs)	Dimensions (in)														
	(in)	(mm)		A	B	C	D	G	H	J	K	L	P	R	S	T	U	V
JCW595	3/8	9-10	3.18	5.69	2.72	0.81	0.81	1.38	3.06	7.80	1.88	0.88	1.56	0.44	2.13	0.44	1.25	1.38
JCW596	1/2	11-13	6.15	6.88	3.47	1.00	1.00	1.62	3.76	8.91	1.26	1.06	1.94	0.50	2.56	0.53	1.75	1.88
JCW597	5/8	14-16	9.70	8.25	4.30	1.25	1.19	2.12	4.47	10.75	1.99	1.22	2.25	0.56	3.25	0.69	2.00	2.19
JCW598	3/4	18-19	14.50	9.88	5.12	1.50	1.38	2.44	5.28	12.36	2.41	1.40	2.63	0.66	3.63	0.78	2.34	2.56
JCW599	7/8	20-22	21.50	11.25	5.85	1.75	1.63	2.69	6.16	14.37	2.48	1.67	3.13	0.75	4.31	0.88	2.69	2.94
JCW600	1	24-26	30.75	12.81	6.32	2.00	2.00	2.94	6.96	16.29	3.04	2.00	3.75	0.88	4.70	1.03	2.88	3.28
JCW601	1-1/8	28	45.30	14.38	6.92	2.25	2.25	3.31	7.62	18.34	2.56	2.25	4.25	1.00	5.44	1.10	3.25	3.56
JCW602	1-1/4	30-32	64.90	16.34	8.73	2.62	2.62	3.56	9.39	20.48	2.94	2.34	4.50	1.06	6.13	1.19	4.62	4.94



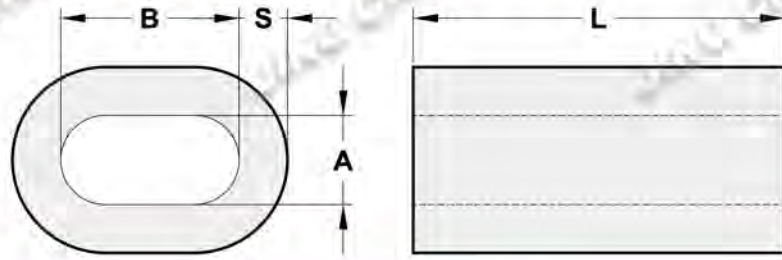
Item No.	Wire Rope Size		Ultimate Load (t)	Weight Each (lbs)	Dimensions (in)									
	(in)	(mm)			A	B	C	D	E	F	H	L	M	N
JCW603	1/4	6	5.4	0.52	4.78	0.50	1.38	0.69	0.27	2.19	0.69	4.00	0.38	1.47
JCW604	5/16	8	11.8	1.12	6.30	0.78	1.62	0.81	0.34	3.25	0.80	5.34	0.48	1.67
JCW605	3/8	9-10	13.6	1.30	6.30	0.78	1.62	0.81	0.41	3.25	0.80	5.34	0.48	1.67
JCW606	7/16	11-12	18.1	2.08	7.82	1.01	2.00	1.00	0.49	4.31	1.00	6.69	0.56	1.96
JCW607	1/2	13	21.3	2.08	7.82	1.01	2.00	1.00	0.55	4.31	1.00	6.69	0.56	1.96
JCW608	9/16	14	31.8	4.67	9.54	1.27	2.38	1.19	0.61	5.38	1.25	8.13	0.68	2.21
JCW609	5/8	16	34.9	4.51	9.54	1.27	2.38	1.19	0.68	5.38	1.25	8.13	0.68	2.21
JCW610	3/4	18-20	43.5	7.97	11.61	1.56	2.75	1.38	0.80	6.44	1.50	10.00	0.80	2.69
JCW611	7/8	22	51.5	11.52	13.37	1.72	3.13	1.63	0.94	7.50	1.75	11.63	0.94	3.20
JCW612	1	24-26	71.4	17.80	15.47	2.00	3.69	2.00	1.07	8.63	2.00	13.38	1.07	3.68
JCW613	1-1/8	28	83.3	25.25	17.35	2.25	4.12	2.25	1.19	9.63	2.25	15.00	1.19	4.18
JCW614	1-1/4	32	109	35.56	19.20	2.53	4.59	2.50	1.34	10.69	2.50	16.50	1.27	4.68
JCW615	1-3/8	34-36	136	43.75	21.10	2.81	5.25	2.50	1.46	11.88	2.41	18.13	1.46	5.25
JCW616	1-1/2	38-40	181	58.50	23.17	3.08	5.50	2.75	1.59	12.81	3.00	19.75	1.70	5.70
JCW617	1-3/4	44	228	88.75	26.70	3.40	6.25	3.50	1.87	15.06	3.50	23.00	2.11	6.67
JCW618	2	48-52	272	146.2	31.15	3.94	7.80	3.75	2.12	17.06	4.00	26.75	1.81	8.19



## S502 CLOSED SWAGE SOCKETS



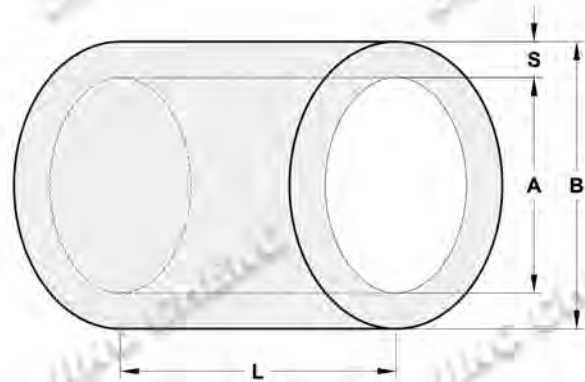
Item No.	Wire Rope Size		Ultimate Load (t)	Weight Each (lbs)	Dimensions (in)							
	(in)	(mm)			A	B	C	D	E	F	H	L
JCW619	1/4	6	5.4	0.33	4.28	0.50	1.38	0.76	0.27	2.19	0.50	3.50
JCW620	5/16	8	11.8	0.75	5.42	0.77	1.62	0.88	0.34	3.25	0.68	4.50
JCW621	3/8	9-10	13.6	0.72	5.42	0.78	1.62	0.88	0.41	3.25	0.68	4.50
JCW622	7/16	11-12	18.1	1.42	6.88	1.01	2.00	1.07	0.49	4.31	0.87	5.75
JCW623	1/2	13	21.3	1.42	6.88	1.01	2.00	1.07	0.55	4.31	0.87	5.75
JCW624	9/16	14	31.8	2.92	8.59	1.27	2.38	1.28	0.61	5.38	1.14	7.25
JCW625	5/8	16	34.9	2.85	8.59	1.27	2.38	1.28	0.68	5.38	1.14	7.25
JCW626	3/4	18-20	43.5	5.00	10.25	1.56	2.88	1.49	0.80	6.44	1.33	8.63
JCW627	7/8	22	51.5	6.80	11.87	1.72	3.12	1.73	0.94	7.50	1.53	10.09
JCW628	1	24-26	71.4	10.40	13.56	2.00	3.62	2.11	1.07	8.63	1.78	11.50
JCW629	1-1/8	28	83.3	14.82	15.03	2.25	4.00	2.37	1.19	9.75	2.03	12.75
JCW630	1-1/4	32	109	21.57	16.94	2.53	4.50	2.62	1.34	10.81	2.25	14.38
JCW631	1-3/8	34-36	136	28.54	18.59	2.81	5.00	2.62	1.46	11.88	2.29	15.75
JCW632	1-1/2	38-40	181	38.06	20.13	3.08	5.38	2.87	1.59	12.81	2.56	17.00
JCW633	1-3/4	44	228	51.00	23.56	3.40	6.25	3.63	1.87	15.06	3.08	20.00
JCW634	2	48-52	272	89.25	27.13	3.94	7.25	3.88	2.12	17.06	3.31	23.00



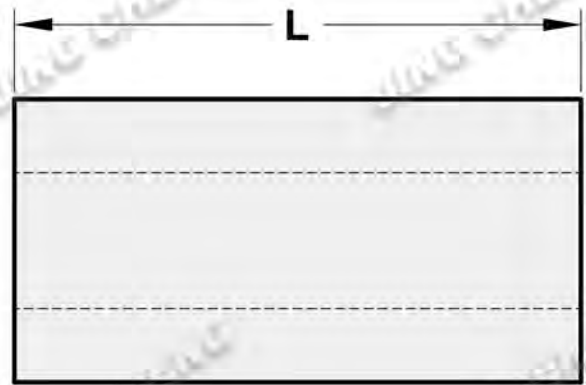
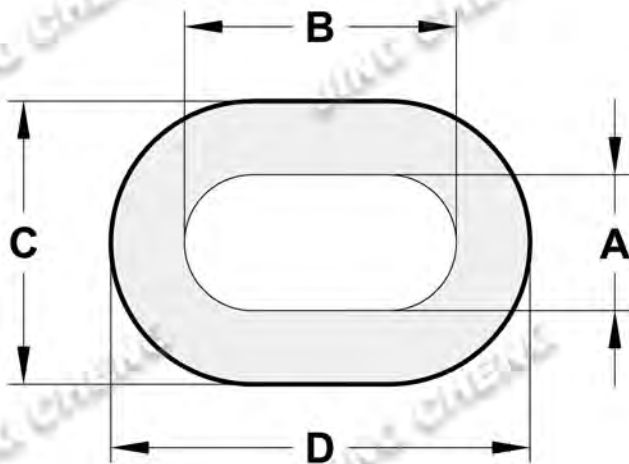
Item No.	Ferrule Code	Weight Per 1000 (kg)	Dimensions (mm)			
			A	B	S	L
JCW635	1	0.098	1.2	2.4	0.65	5
JCW636	1.5	0.176	1.7	3.4	0.75	6
JCW637	2	0.285	2.2	4.4	0.85	7
JCW638	2.5	0.439	2.7	5.4	1.05	9
JCW639	3	0.907	3.3	6.6	1.25	11
JCW640	3.5	1.18	3.8	7.6	1.5	13
JCW641	4	1.63	4.4	8.8	1.7	14
JCW642	4.5	2.39	4.9	9.8	1.9	16
JCW643	5	3.62	5.5	11.0	2.1	18
JCW644	6	5.87	6.6	13.2	2.5	21
JCW645	6.5	7.18	7.2	14.4	2.7	23
JCW646	7	9.83	7.8	15.6	2.9	25
JCW647	8	12.96	8.8	17.6	3.3	28
JCW648	9	18.94	9.9	19.8	3.7	32
JCW649	10	24.09	10.9	21.8	4.1	35
JCW650	11	35.35	12.1	24.2	4.5	39
JCW651	12	44.18	13.2	26.4	4.9	42
JCW652	13	59.86	14.2	28.4	5.4	46
JCW653	14	73.5	15.3	30.6	5.8	49
JCW654	16	111	17.5	35.0	6.7	56
JCW655	18	156	19.6	39.2	7.6	63
JCW656	20	217	21.7	43.4	8.4	70
JCW657	22	292	24.3	48.6	9.2	77
JCW658	24	376	26.4	52.8	10.0	84
JCW659	26	481	28.5	57.0	10.9	91
JCW660	28	603	31.0	62.0	11.7	98
JCW661	30	739	33.1	66.2	12.5	105
JCW662	32	897	35.2	70.4	13.4	112
JCW663	34	1077	37.8	75.6	14.2	119
JCW664	36	1275	39.8	79.6	15.0	126
JCW665	38	1503	41.9	83.8	15.8	133
JCW666	40	1734	44.0	88.0	16.6	140
JCW667	42	2024	46.2	92.4	17.5	147
JCW668	44	2314	48.4	96.8	18.3	154
JCW669	46	2662	50.6	101.2	19.2	161
JCW670	48	3010	52.8	105.6	20.0	168
JCW671	50	3412	55.0	110.0	20.8	175
JCW672	52	3813	57.2	114.4	21.6	182
JCW673	54	4293	59.4	118.8	22.5	189
JCW674	56	4772	61.6	123.2	23.3	196
JCW675	58	5326	63.8	127.6	24.2	203
JCW676	60	5880	66.0	132.0	25.0	210



## SEAMLESS ALUMINIUM ROUND SLEEVES



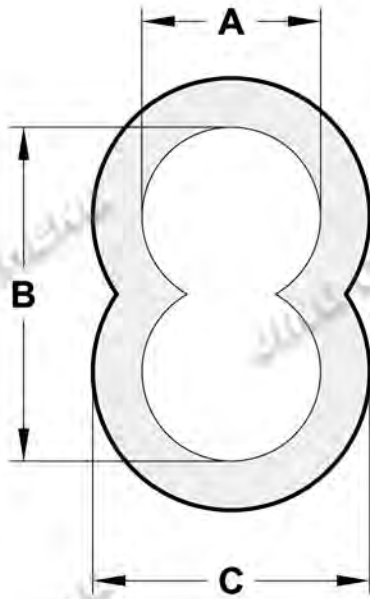
Item No.	Ferrule Code	Weight Per 1000 (kg)	Dimensions (in)			
			A	B	S	L
JCW677	#6	8	11	16	2.5	25
JCW678	#7	12	12.7	18.5	2.9	30
JCW679	#8	18	14.6	21.2	3.3	34
JCW680	#9	25	16.4	23.8	3.7	38
JCW681	#10	33	18.1	26.3	4.1	42
JCW682	#11	45	20	29	4.5	47
JCW683	#12	57	21.8	31.6	4.9	50
JCW684	#13	74	23.6	34.4	5.4	55
JCW685	#14	92	25.4	37	5.8	59
JCW686	#15	138	29	42.4	6.7	67
JCW687	#18	212	32.5	48.5	8	76
JCW688	#20	380	36	58	11	84
JCW689	#22	440	39.5	61.5	11	92
JCW690	#24	530	43.1	65.5	11.2	101
JCW691	#26	660	46.7	70.5	11.9	109
JCW692	#28	760	51.2	75	11.9	118
JCW693	#30	930	54.6	80	12.7	126
JCW694	#32	1110	58.2	85	13.4	134
JCW695	#34	1390	61.4	91	14.8	143
JCW696	#36	1570	65	95	15	152
JCW697	#38	1830	68.4	100	15.8	160
JCW698	#40	2140	72.8	106	16.6	168
JCW699	#44	2820	79.6	116	18.2	184
JCW700	#48	3620	86.4	126	19.8	200
JCW701	#52	4560	93.2	136	21.4	216
JCW702	#56	5680	101	147	23	232
JCW703	#60	7000	108.8	158	24.6	248
JCW704	#65	10500	119.2	176	28.4	284
JCW705	#70	11730	125	185	30	294
JCW706	#75	14360	134	198	32	315
JCW707	#80	17300	142	210	34	336
JCW708	#85	20900	153	225	36	357
JCW709	#90	24900	164	240	38	378
JCW710	#95	28800	175	250	40	399
JCW711	#100	34200	184	268	42	420



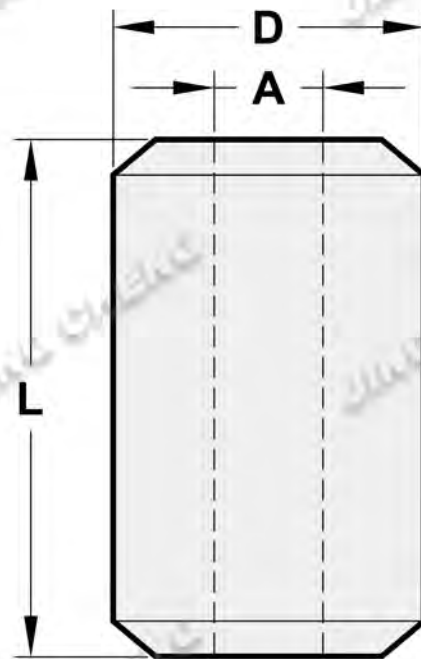
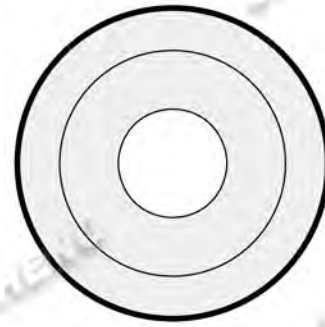
Item No.	Size (in)	Weight Per 1000 (kg)	Dimensions (mm)				
			A	B	C	D	L
JCW712	1/4	10.4	7.54	15.08	13.49	21.43	25.40
JCW713	5/16	19.5	9.52	19.05	16.67	26.19	30.54
JCW714	3/8	24.0	11.11	21.43	19.05	29.37	34.93
JCW715	7/16	49.9	12.70	25.40	23.02	35.72	43.67
JCW716	1/2	74.8	15.08	29.77	26.19	41.28	49.21
JCW717	9/16	99.7	18.26	34.92	30.96	48.02	56.36
JCW718	5/8	145	19.05	38.10	34.92	53.18	63.50
JCW719	3/4	236	21.03	42.86	38.10	60.33	73.03
JCW720	7/8	304	24.21	47.62	42.86	66.68	76.20
JCW721	1	567	27.78	53.37	50.01	78.58	95.25
JCW722	1-1/8	780	32.54	65.09	58.74	91.28	108.74
JCW723	1-1/4	970	35.72	70.64	63.50	98.43	112.71
JCW724	1-1/2	1768	42.07	83.74	79.38	120.65	140.89



## US TYPE ALUMINIUM HOURGLASS SLEEVES



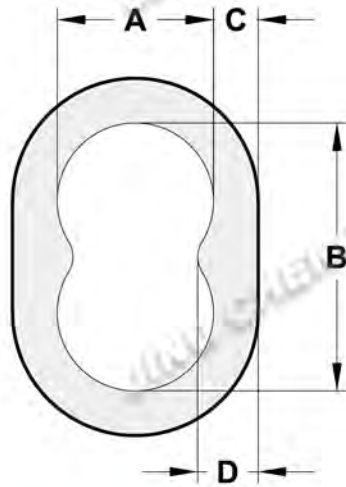
Item No.	Size		Weight Per 1000 (kg)	Dimensions									
				A		B		C		D		L	
	in	mm		in	mm	in	mm	in	mm	in	mm	in	mm
JCW725	3/64	1.19	0.276	1/16	1.58	1/8	3.18	9/64	3.6	13/64	5.2	3/8	9.53
JCW726	1/16	1.58	0.433	5/64	1.98	5/32	3.97	11/64	4.4	1/4	6.35	3/8	9.53
JCW727	5/64	1.98	0.645	3/32	2.38	3/16	4.76	13/64	5.2	5/16	7.94	3/8	9.53
JCW728	3/32	2.38	1.45	1/8	3.18	1/4	6.35	9/32	7.1	13/32	10.3	1/2	12.7
JCW729	1/8	3.18	2.70	5/32	3.97	5/16	7.94	11/32	8.7	1/2	12.7	5/8	15.88
JCW730	5/32	3.97	3.67	3/16	4.76	3/8	9.53	3/8	9.53	9/16	14.29	11/16	17.4
JCW731	3/16	4.76	7.18	7/32	5.56	7/16	11.11	7/16	11.11	21/32	16.7	1	25.40
JCW732	7/32	5.56	10.00	1/4	6.35	1/2	12.7	1/2	12.7	3/4	19.1	1 1/16	26.9
JCW733	1/4	6.35	11.76	9/32	7.14	9/16	14.29	17/32	13.5	13/16	20.6	1 1/8	28.58
JCW734	9/32	7.14	13.62	5/16	7.94	5/8	15.88	9/16	14.29	7/8	22.2	1 3/16	30.1
JCW735	5/16	7.94	20.94	3/8	9.53	23/32	19.05	11/16	17.5	1 1/32	26.2	1 1/4	31.75
JCW736	3/8	9.53	28.18	7/16	11.11	27/32	22.23	3/4	19.1	1 5/32	29.4	1 7/16	36.5
JCW737	7/16	11.11	52.00	1/2	12.7	1	25.40	15/16	23.8	1 7/16	36.5	1 11/16	42.8
JCW738	1/2	12.7	80.15	9/16	14.29	1 1/8	28.58	1 1/16	26.9	1 5/8	41.3	2	50.8
JCW739	9/16	14.29	99.88	5/8	15.88	1 1/4	31.75	1 1/8	28.58	1 3/4	44.5	2 1/8	53.9
JCW740	5/8	15.88	139.78	11/16	17.46	1 3/8	34.93	1 1/4	31.75	1 15/16	49.2	2 1/2	63.5



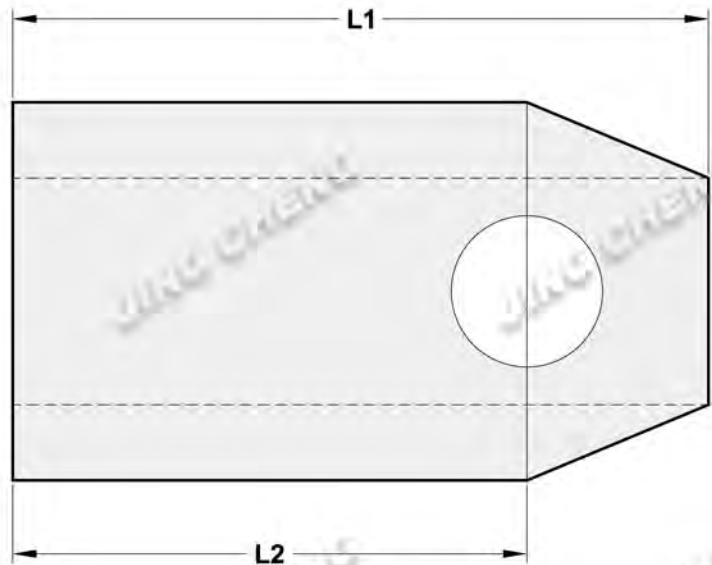
Item No.	Size (in)	Weight Per 1000 (kg)	Dimensions (mm)		
			A	D	L
JCW741	3/64	0.236	1.54	4.40	4.16
JCW742	1/16	0.278	1.92	6.35	4.16
JCW743	5/64	0.282	2.38	6.35	4.16
JCW744	3/32	1.05	2.90	8.72	7.95
JCW745	1/8	0.949	3.86	8.72	7.95
JCW746	5/32	1.76	4.70	11.11	8.73
JCW747	3/16	1.69	5.54	11.11	8.73
JCW748	7/32	1.50	6.35	11.11	8.73
JCW749	1/4	9.07	7.20	17.46	17.46
JCW750	5/16	7.46	9.53	17.46	17.46
JCW751	3/8	6.58	11.13	17.46	17.46
JCW752	1/2	30.32	14.28	26.98	26.98
JCW753	9/16	38.52	15.88	28.60	31.75
JCW754	5/8	47.88	17.46	31.75	31.75



## ALUMINIUM FERRULES JIS TYPE



Item No.	Ferrule Code	Weight Per 1000 (kg)	Dimensions (mm)				
			A	B	C	D	L
JCW755	6	10	7.00	13.80	3.20	3.80	24
JCW756	7	14	8.20	16.20	3.60	4.25	26
JCW757	8	22	9.40	18.60	4.00	4.70	32
JCW758	9	29	10.22	20.70	4.30	5.52	36
JCW759	10	37	11.60	23.00	4.50	5.50	40
JCW760	12	63	13.62	27.60	5.30	6.92	48
JCW761	14	88	15.89	32.20	5.53	7.42	56
JCW762	16	130	18.16	36.80	6.32	8.48	64
JCW763	18	186	20.43	41.40	7.11	9.54	72
JCW764	20	245	23.10	46.00	7.70	9.20	80
JCW765	22	319	25.40	50.60	8.30	10.00	88
JCW766	24	408	27.80	55.30	8.90	10.90	96
JCW767	26	581	29.90	59.80	10.70	12.90	104
JCW768	28	714	32.20	64.40	11.30	13.60	112
JCW769	30	859	34.50	69.00	11.80	14.30	120
JCW770	32	1026	36.80	73.60	12.50	15.20	128
JCW771	34	1257	39.10	78.20	13.30	16.20	136
JCW772	36	1465	41.40	82.80	14.10	17.30	142
JCW773	38	1706	43.70	87.40	14.90	18.40	150

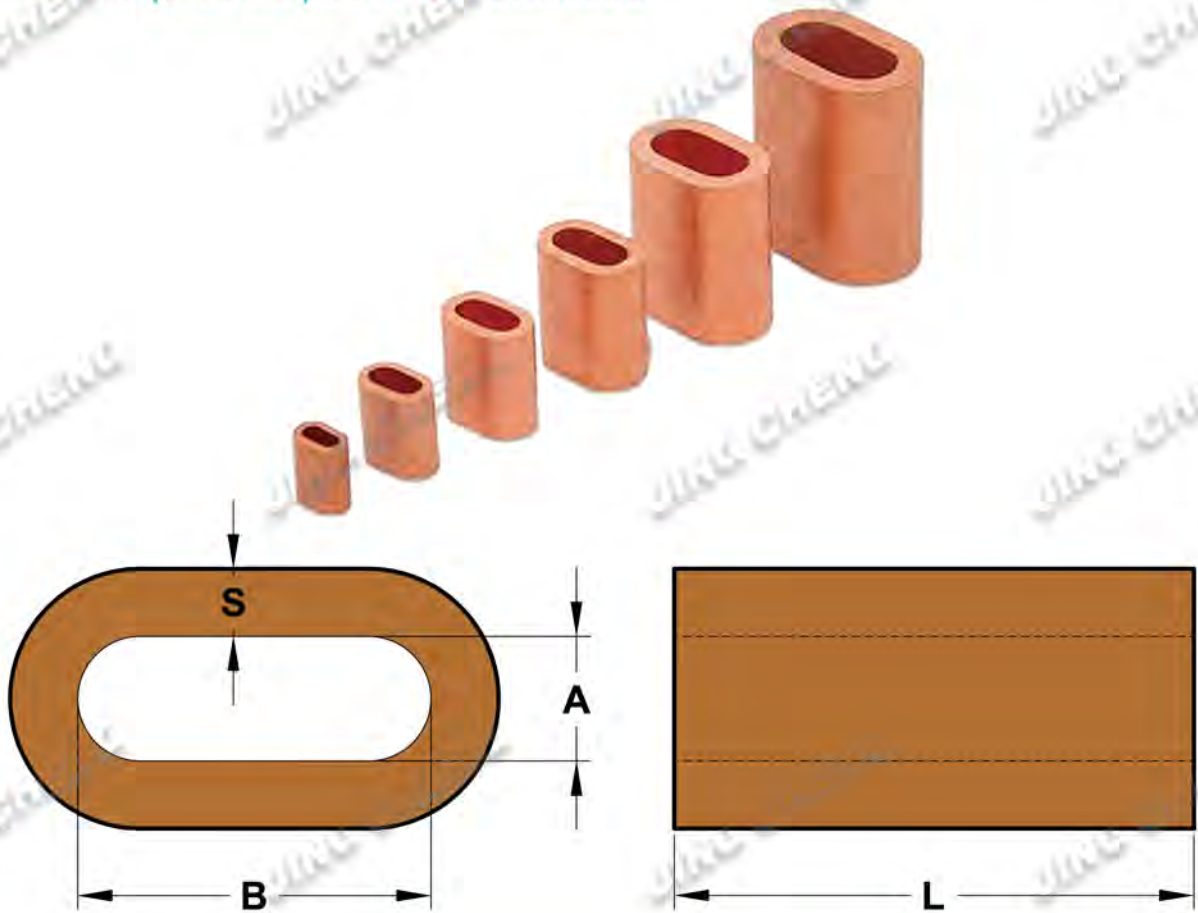


- The inspection hole guarantees control of the correct inserted length of wire rope before and after swaging.
- These types of sleeves have to be swaged with the conical type C swaging dies.

Item No.	Ferrule Code	Dimensions (mm)	
		L1	L2
JCW774	8	43	34
JCW775	9	48	38.5
JCW776	10	53	42
JCW777	11	59	46.7
JCW778	12	65	50.2
JCW779	13	70	54.7
JCW780	14	75	58.2
JCW781	16	85	66.5
JCW782	18	96	75
JCW783	20	106	83
JCW784	22	116	91
JCW785	24	126	99.5
JCW786	26	136	107.2
JCW787	28	147	115.5
JCW788	30	158	125
JCW789	32	170	135
JCW790	36	190	150
JCW791	38	200	158
JCW792	44	235	186
JCW793	52	276	218

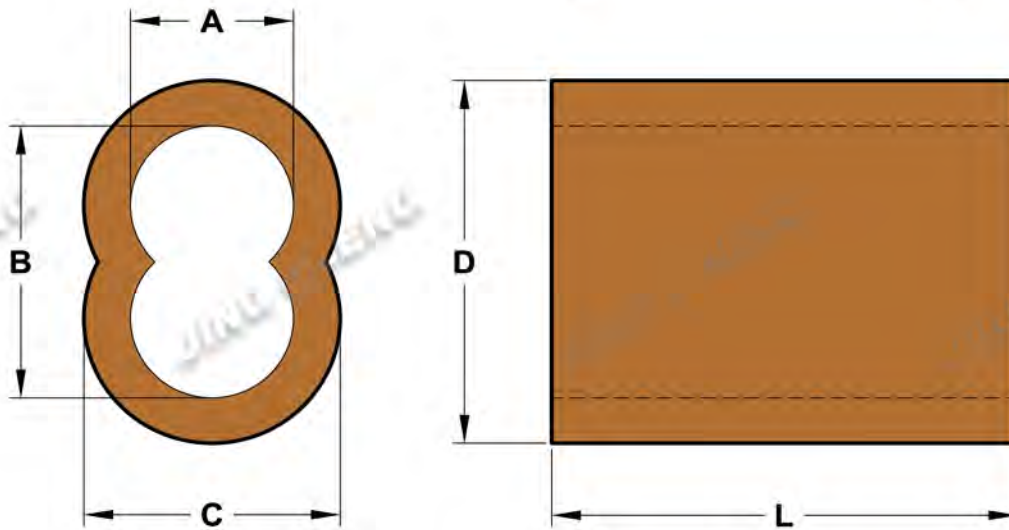


## EN13411-3 (DIN3093) COPPER FERRULES



Item No.	Ferrule Code	Weight Per 1000 (kg)	Dimensions (mm)			
			A	B	S	L
JCW794	1	0.32	1.2	2.4	0.65	5
JCW795	1.5	0.72	1.7	3.4	0.75	6
JCW796	2	0.82	2.2	4.4	0.85	7
JCW797	2.5	1.7	2.7	5.4	1.05	9
JCW798	3	2.9	3.3	6.6	1.25	11
JCW799	3.5	4.5	3.8	7.6	1.5	13
JCW800	4	6.2	4.4	8.8	1.7	14
JCW801	4.5	8.9	4.9	9.8	1.9	16
JCW802	5	12.2	5.5	11.0	2.1	18
JCW803	6	20	6.6	13.2	2.5	21
JCW804	6.5	27	7.2	14.4	2.7	23
JCW805	7	32	7.8	15.6	2.9	25
JCW806	8	47	8.8	17.6	3.3	28
JCW807	9	68	9.9	19.8	3.7	32
JCW808	10	90	10.9	21.8	4.1	35
JCW809	11	122	12.1	24.2	4.5	39
JCW810	12	158	13.2	26.4	4.9	42
JCW811	13	198	14.2	28.4	5.4	46
JCW812	14	243	15.3	30.6	5.8	49
JCW813	16	366	17.5	35.0	6.7	56
JCW814	18	529	19.6	39.2	7.6	63

## US TYPE COPPER HOURGLASS SLEEVES

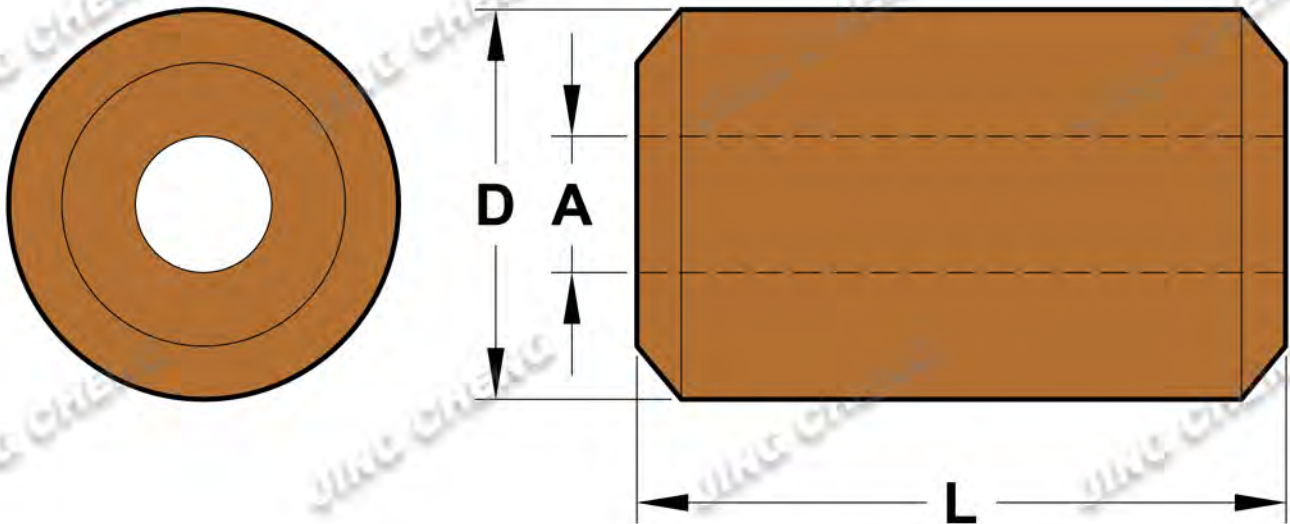


- Extruded copper hourglass sleeves and stop buttons have efficient cold forming properties, and are ideal for non-rusting permanent splices. These sleeves and buttons are 99% pure copper, and the mass of copper provides excellent holding strength.
- Return eye splice using copper hourglass sleeves will attain 95% of Improved Plow wire rope catalog strength when properly swaged.
- CAUTION: Return eye slings using copper hourglass sleeves must be properly swaged to attain strength.

Item No.	Size (in)	Weight Per 1000 (kg)	Dimensions (mm)				
			A	B	C	D	L
JCW815	3/64	1.12	1.59	3.18	3.57	5.16	9.50
JCW816	1/16	1.43	2.06	4.05	4.36	6.35	9.70
JCW817	5/64	2.61	2.45	4.85	5.55	7.95	10.70
JCW818	3/32	4.39	3.35	6.55	7.05	10.25	11.50
JCW819	1/8	8.20	3.97	8.33	8.33	12.69	14.30
JCW820	5/32	11.07	4.80	9.55	9.56	14.31	15.90
JCW821	3/36	20.63	5.64	11.20	11.08	16.64	22.20
JCW822	7/32	22.58	6.60	13.00	11.90	18.30	22.20
JCW823	1/4	38.32	7.42	14.65	13.62	20.85	28.40
JCW824	5/16	60.59	9.58	18.35	17.38	26.15	28.40
JCW825	3/8	81.72	11.15	21.50	18.15	28.50	38.10
JCW826	7/16	129.00	12.70	25.40	21.00	33.70	42.80
JCW827	1/2	183.05	15.10	28.20	24.60	37.70	47.60



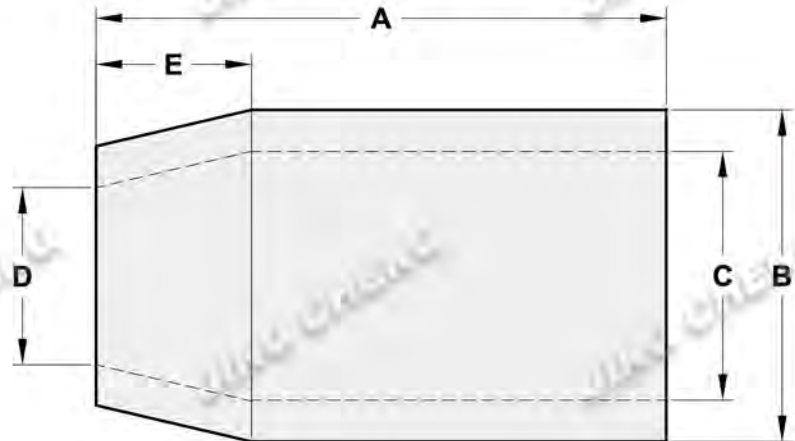
## US TYPE COPPER BUTTON STOPS



- Zinc Plated, Nickle Plated & Chrome Plated are available on request.

Item No.	Size (in)	Weight Per 1000 (kg)	Dimensions (mm)		
			A	D	L
JCW828	3/64	0.67	1.59	4.46	5.56
JCW829	1/16	0.96	1.98	5.16	5.56
JCW830	3/32	3.9	2.78	8.33	8.33
JCW831	1/8	3.3	3.97	8.33	8.33
JCW832	5/32	6.5	4.76	10.72	8.33
JCW833	3/16	6.2	5.56	10.72	8.33
JCW834	7/32	6.0	6.35	10.72	15.88
JCW835	1/4	32	7.14	16.67	17.46
JCW836	5/16	29	9.53	16.67	17.46

## FLEMISH EYE STEEL SWAGING SLEEVES (S-505)

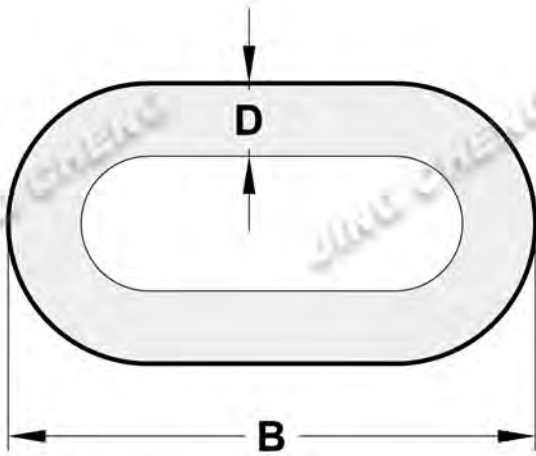


- Our modern in-house forging, heat treatment, sand blasting, auto-marding facilities assures the consistent quality of Flemish eye steel sleeves form 1/4" to 6" (galvanized and self-colored).

Item No.	Size (in)	Weight Per 100 (kg)	Dimensions (mm)					Max After Swage Dimensions (mm)
			A	B	D	E	C	
JCW837	1/4	2.27	25.4	16.8	7.88	7.12	11.9	14.5
JCW838	5/16	6.36	38.1	23.1	11.2	11.2	15.8	19.1
JCW839	3/8	6.36	38.1	23.1	11.9	9.91	16.8	19.1
JCW840	7/16	15	51.0	31.0	14.0	16.5	21.6	25.7
JCW841	1/2	13	51.0	31.0	16.0	14.2	23.1	25.7
JCW842	9/16	29	70.0	37.3	17.5	16.0	26.2	31.5
JCW843	5/8	26	70.0	37.3	19.1	16.0	27.7	31.5
JCW845	3/4	40	81.0	43.7	23.1	21.3	32.5	37.1
JCW846	7/8	60	90.5	51.5	26.2	25.4	38.9	42.7
JCW847	1	89	102	58.0	29.5	28.6	43.7	49.0
JCW848	1-1/8	118	122	63.5	32.5	31.8	49.3	54.1
JCW849	1-1/4	161	132	70.5	36.5	35.8	55.0	58.9
JCW850	1-3/8	192	148	76.0	39.7	39.7	60.5	64.0
JCW851	1-1/2	227	159	82.5	42.9	42.9	67.0	69.0
JCW852	1-3/4	366	184	97.5	49.2	50.0	79.5	78.7
JCW853	2	514	216	111	57.0	57.0	92.0	90.4
JCW854	2-1/4	879	243	128	63.5	64.5	102	105
JCW855	2-1/2	1068	267	140	70.0	71.5	114	114
JCW856	2-3/4	1271	292	146	76.0	78.5	121	119
JCW857	3	1335	305	152	82.5	86.0	127	126
JCW858	3-1/4	1650	330	165	98	89.9	138	136
JCW859	3-1/2	2106	356	178	98.5	100	148	147
JCW860	3-3/4	2497	381	191	103	108	160	158
JCW861	4	3087	406	206	111	114	173	170
JCW862	4-1/2	4540	457	232	124	129	195	189
JCW863	5	6600	508	267	140	143	222	210
JCW864	6	12300	610	318	165	171	259	252

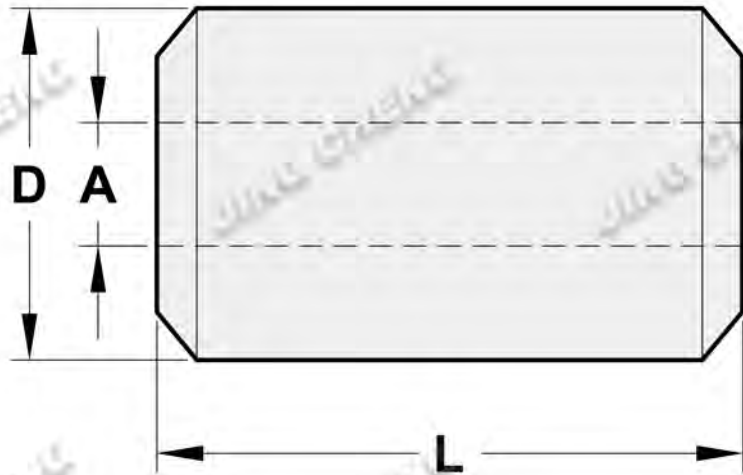
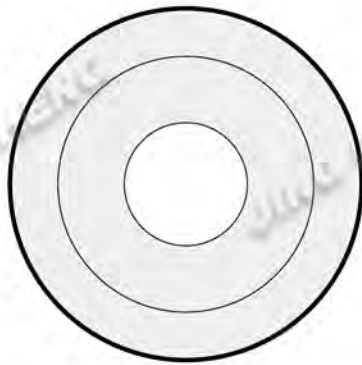


## US TYPE STEEL OVAL SLEEVES



- Specially processed low carbon steel
- Note: Steel Oval Sleeves are recommended for use with 6x19 or 6x37, IPS ORxIP(EIP), RRL, FC or IWRC wire rope

Item No.	Rope Size (in)	Weight Per 100 (kg)	Dimensions (mm)				Max after Swage DIA. (mm)
			L	B	C	D	
JCW865	5/16	77.1	31.8	26.9	20.6	4.85	19.6
JCW866	3/8	59	31.8	28.4	20.6	3.55	19.6
JCW867	7/16	141	41.4	35.8	25.9	4.85	26.2
JCW868	1/2	122	41.4	36.6	25.9	4.05	26.2
JCW869	9/16	286	57.0	43.7	31.2	5.85	32.8
JCW870	5.8	245	57.0	46.7	32.5	5.10	32.8
JCW871	3/4	413	67.0	55.0	38.6	5.85	39.4
JCW872	7/8	570	73.0	63.5	44.5	6.85	45.7
JCW873	1	850	77.5	72.0	51.0	8.40	52.0
JCW874	1-1/4	1740	103	89.0	63.5	9.65	65.0

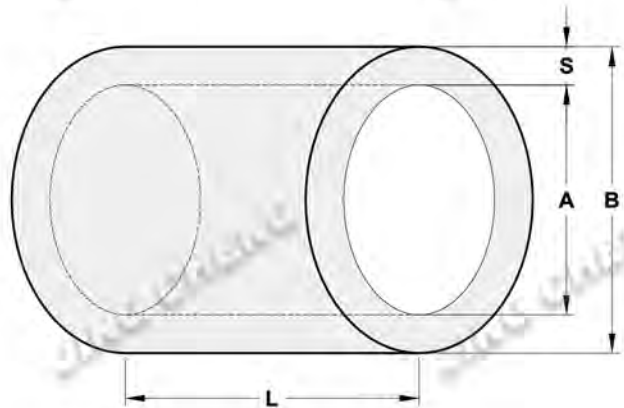


- Specially processed low carbon steel
- Note: Steel Stop Buttons Sleeves are recommended for use with 6x19 or 6x37, IPS ORxIP(EIP), RRL, FC or IWRC wire rope

Item No.	Size (in)	Weight Per 100 (kg)	Dimensions (mm)			Max after Swage DIA. (mm)
			A	D	L	
JCW875	1/8	9.1	3.56	10.7	12.7	10.2
JCW876	3/16	18.1	5.08	14.2	17.8	13.2
JCW877	1/4	36.3	7.87	17.3	26.9	14.7
JCW878	5/16	72.6	9.14	22.4	28.7	19.6
JCW879	3/8	68	10.7	22.4	37.6	19.6
JCW880	7/16	136	12.2	28.7	41.4	26.2
JCW881	1/2	227	14.0	33.3	48.0	29.5
JCW882	9/16	318	15.5	36.6	51.3	32.8
JCW883	5/8	454	17.0	39.6	61.5	36.1
JCW884	3/4	590	20.3	42.7	69.6	39.6
JCW885	7/8	1000	23.9	50.8	83.1	45.7
JCW886	1	1410	26.9	57.2	93.2	52.1
JCW887	1-1/8	2040	30.2	65.0	103	58.4
JCW888	1-1/4	2950	33.8	71.4	116	65.0



## SEAMLESS ALUMINIUM TUBE



Item No.	Item NO.	Weight Pcs (kg)	Dimensions (mm)		
			B	S	L
JCW889	#6	0.7	16	2.5	25
JCW890	#7	1.2	18.5	3	30
JCW891	#8	1.7	21	3.5	34
JCW892	#9	2.4	23.5	4	38
JCW893	#10	3.2	26	4	42
JCW894	#11	4.4	29	4.5	47
JCW895	#12	5.5	32	5	50
JCW896	#13	7.2	34	5.5	55
JCW897	#14	8.9	37	6	59
JCW898	#16	13.5	42	7	67
JCW899	#18	20	48	8	76
JCW900	#20	32.1	53	8.5	84
JCW901	#22	40.4	58	9.5	92
JCW902	#24	46.3	63	10	101
JCW903	#26	62	68	11	109
JCW904	#28	75	75	12	118
JCW905	#30	91	80	13	126
JCW906	#32	108	85	13	134
JCW907	#34	137	90	14	143
JCW908	#36	155	95	16	152
JCW909	#38	181	100	16	160
JCW910	#40	210	106	17	168
JCW911	#44	278	116	19	184
JCW912	#48	353	125	20	200
JCW913	#52	450	136	22	216
JCW914	#56	560	147	23	232
JCW915	#60	686	158	25	248
JCW916	#65	990	171	28	284