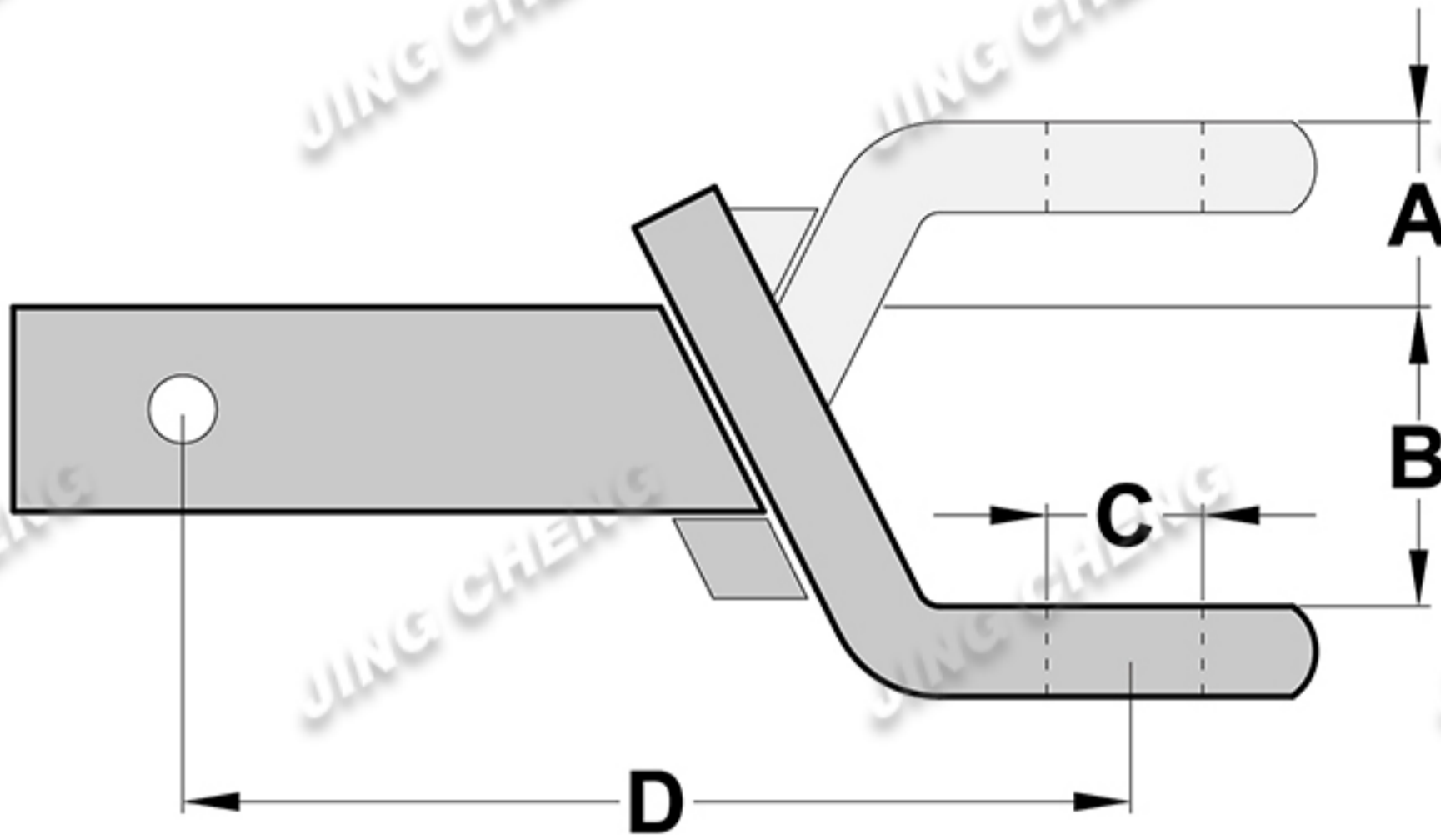


STANDARD MOUNTS



- **A: Rise**
Distance the ball platform is set above the Top of the Shank.
- **C: Hole Size**
Size of trailer ball shank that is required to fit the Ball Mount.

- **B: Drop**
Distance the ball platform is set below the Top of the Shank.
- **D: Length**
Distance from the pin hole center to the Ball hole center.

HITCH BALL MOUNTS



ITEM NO.	Box Size (in.)	Ball Hole Size (in.)	Drop (in.)	Rise (in.)	Length (in.)	Capacity (lbs.)	Shack	Finish
JCT046	2*2	1	2	3/4	9	6000	Hollow	Black, Chrome, Zinc Plated
JCT047	2*2	1	3	2	7-7/8	6000	Hollow	
JCT048	2*2	1	4	2-3/4	8-1/4	6000	Hollow	
JCT049	2*2	1	5	3-3/4	9	5000	Hollow	
JCT050	2*2	1	6	4-3/4	9-1/2	5000	Hollow	
JCT051	2*2	1	8	6-3/4	10	5000	Hollow	



FORGED BALL MOUNTS



ITEM NO.	Box Size (in.)	Ball Hole Size (in.)	Drop (in.)	Rise (in.)	Length (in.)	Capacity (lbs.)	Finish
JCT052	2*2	1-1/4	2	1	8-1/2	10000	Black, Powder Coated
JCT053	2*2	1-1/4	4	3	9-1/4	10000	
JCT054	2*2	1-1/4	6	5	10-1/4	10000	



TRAILER HITCH TRI-BALL MOUNT

- **Ball Size:**
1-7/8", 3500lbs
2", 6000lbs
2-5/16", 10000lbs
- **Length:** 12"
- **Shank:** Hollow/Solid

JCT055 HITCH TRI-BALL MOUNT



ADJUSTABLE ALUMINUM BALL MOUNT

ITEM NO.	Ball Size (in.)	Drop (in.)	Capacity (lbs.)	Shack
JCT056	1-7/8&2	2~6	6000	Solid
JCT057	2&2-5/16	2~6	6000	Solid



ADJUSTABLE STEEL BALL MOUNT



ADJUSTABLE STEEL BALL MOUNT TYP A

ITEM NO.	Box Size (in.)	Drop (in.)	Max Rise (in.)	Length (in.)	Capacity (lbs.)	Shack
JCT058	2*2	7-1/2	6-1/4	13 to 12	5000	Hollow

ADJUSTABLE STEEL BALL MOUNT TYP B

ITEM NO.	Box Size (in.)	Max Drop (in.)	Max Rise (in.)	Length (in.)	Capacity (lbs.)	Shack
JCT059	2*2	9-5/8	8-3/8	12	6000	Hollow

- **Capacity:** Ball 1-7/8", 3500lbs
2", 6000lbs
2-5/16", 10000lbs

- **Finish:** Ball is Chrome Mount is Black

ADJUSTABLE STEEL TRI-BALL MOUNT

ITEM NO.	Box Size (in.)	Max Drop (in.)	Max Rise (in.)	Length (in.)	Capacity (lbs.)	Shack
JCT060	2*2	4-3/4	5-11/16	11-9/16	*	Solid

TRAILER BALL MOUNT



If you are in need of other types
not listed in our catalogue
please contact our sales department.