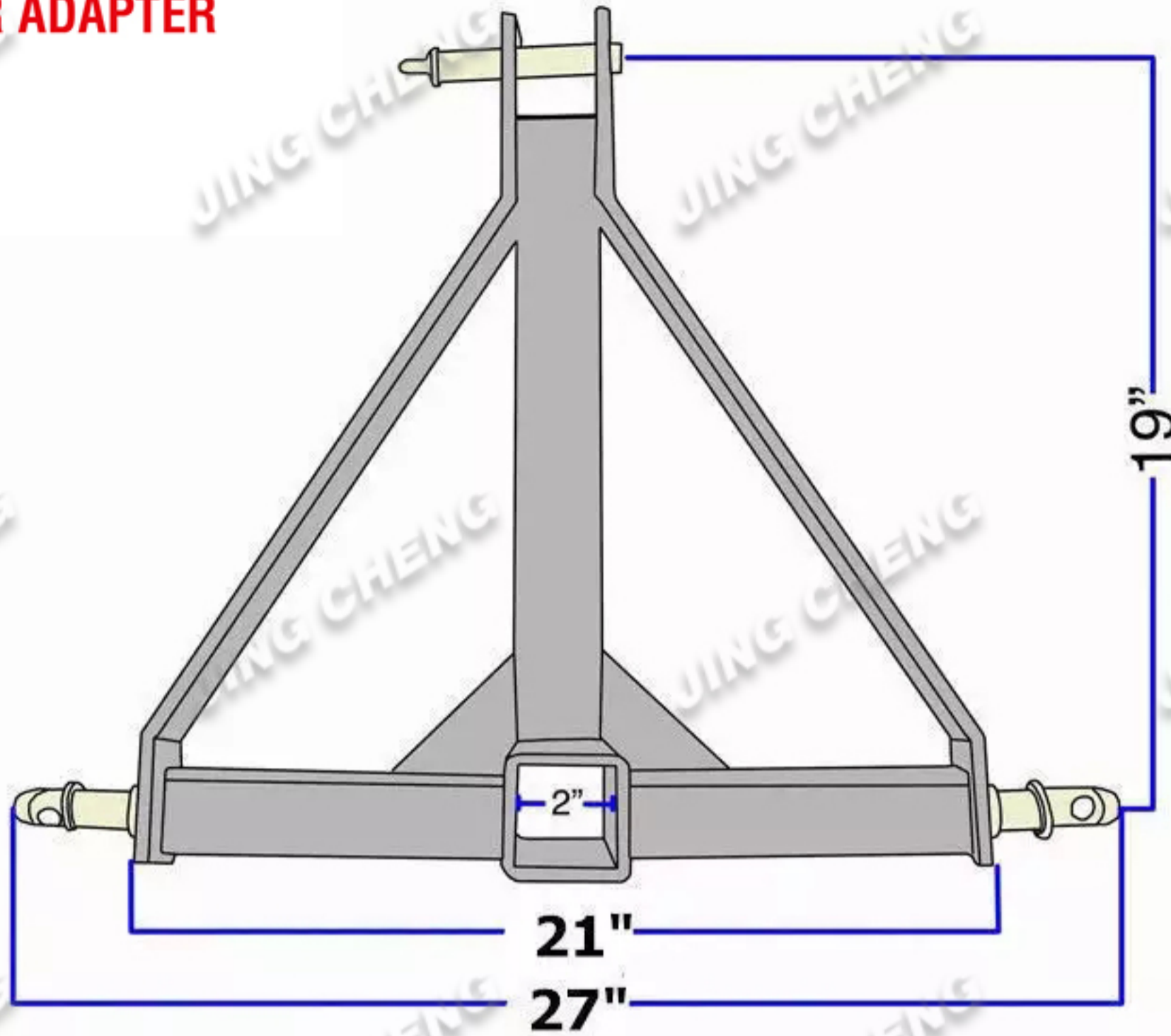


RECEIVER ADAPTER



Product Size

