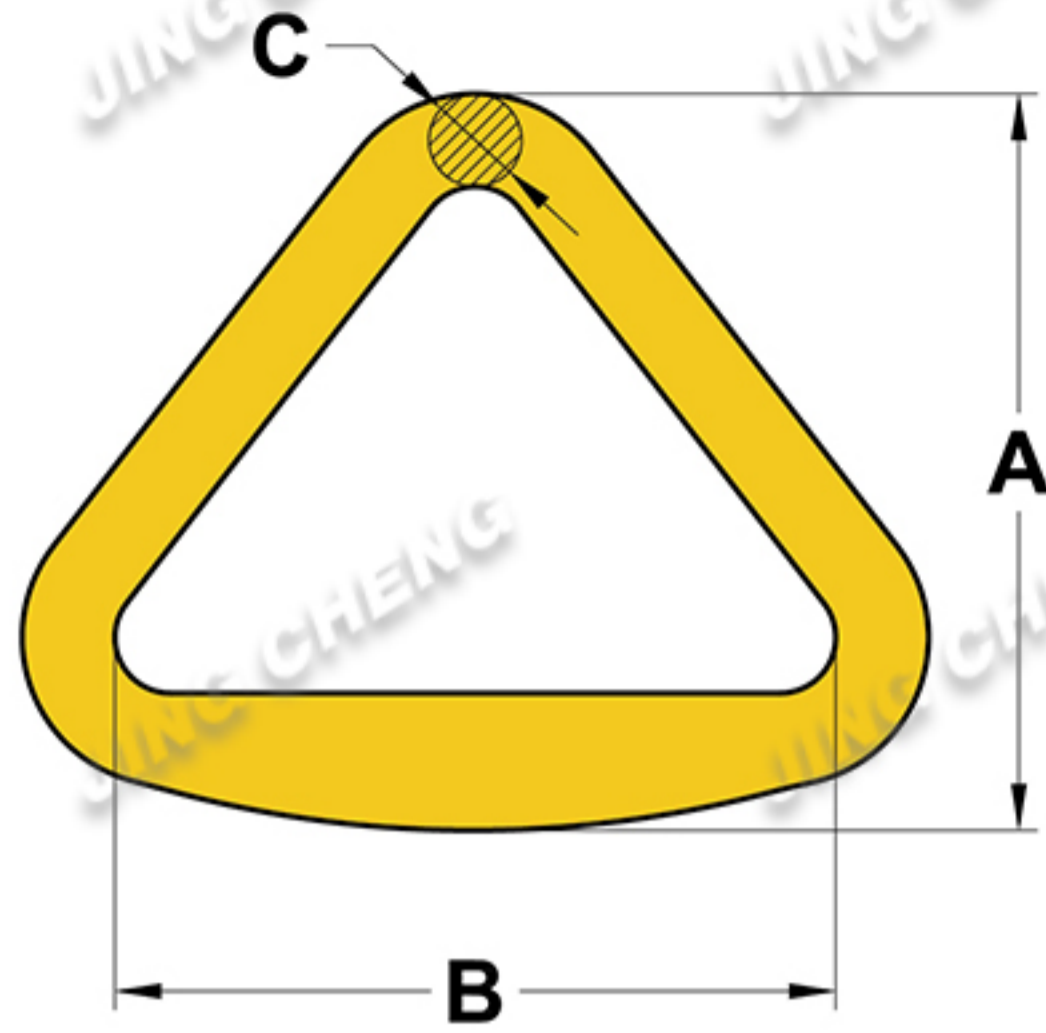
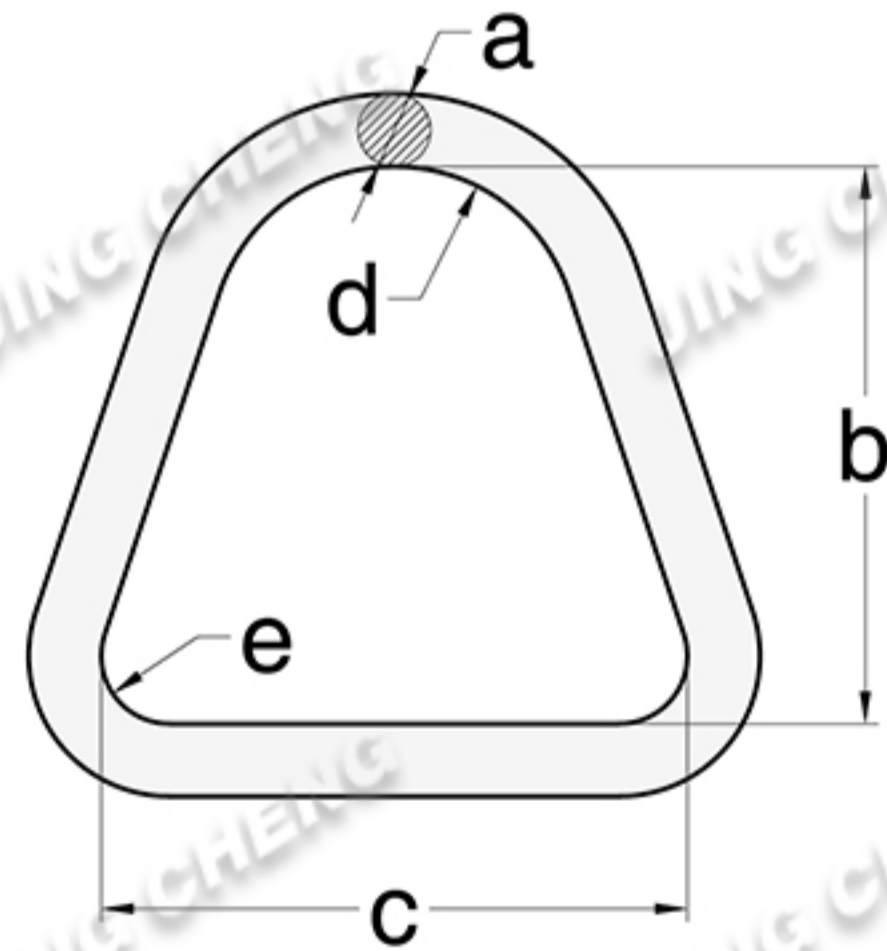


ALLOY FORGED TRIANGLE RING



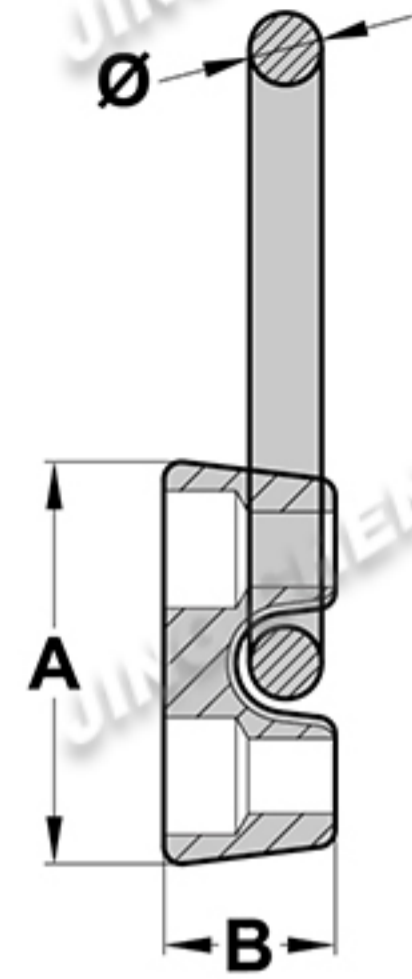
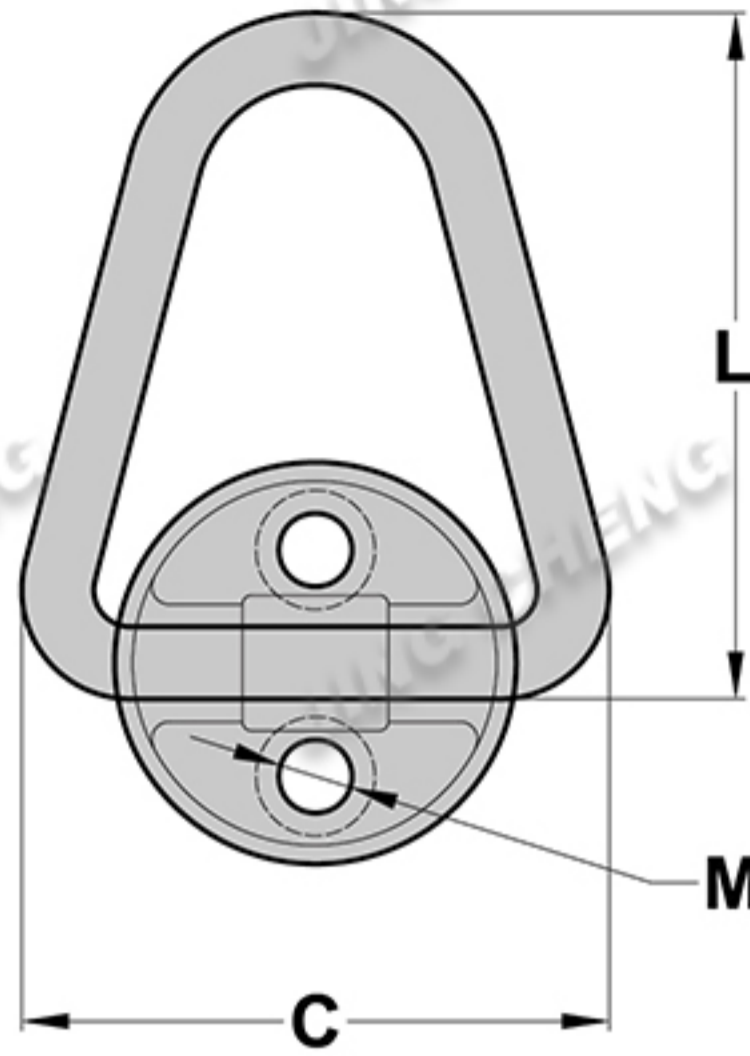
Item No.	Size (in.)	Working Load Limit (lbs.)	Minimum Breaking Strength (lbs.)	Weight Each (kg)	Dimensions (mm)		
					A	B	C
JCR227	2	2750	11000	0.44	80.3	56	12
JCR228	3	4500	18000	0.79	109.4	80	14
JCR229	4	5000	20000	1.37	142.0	108	16

TRIANGULAR LINK B.S. 2837-TABLE 1-1988



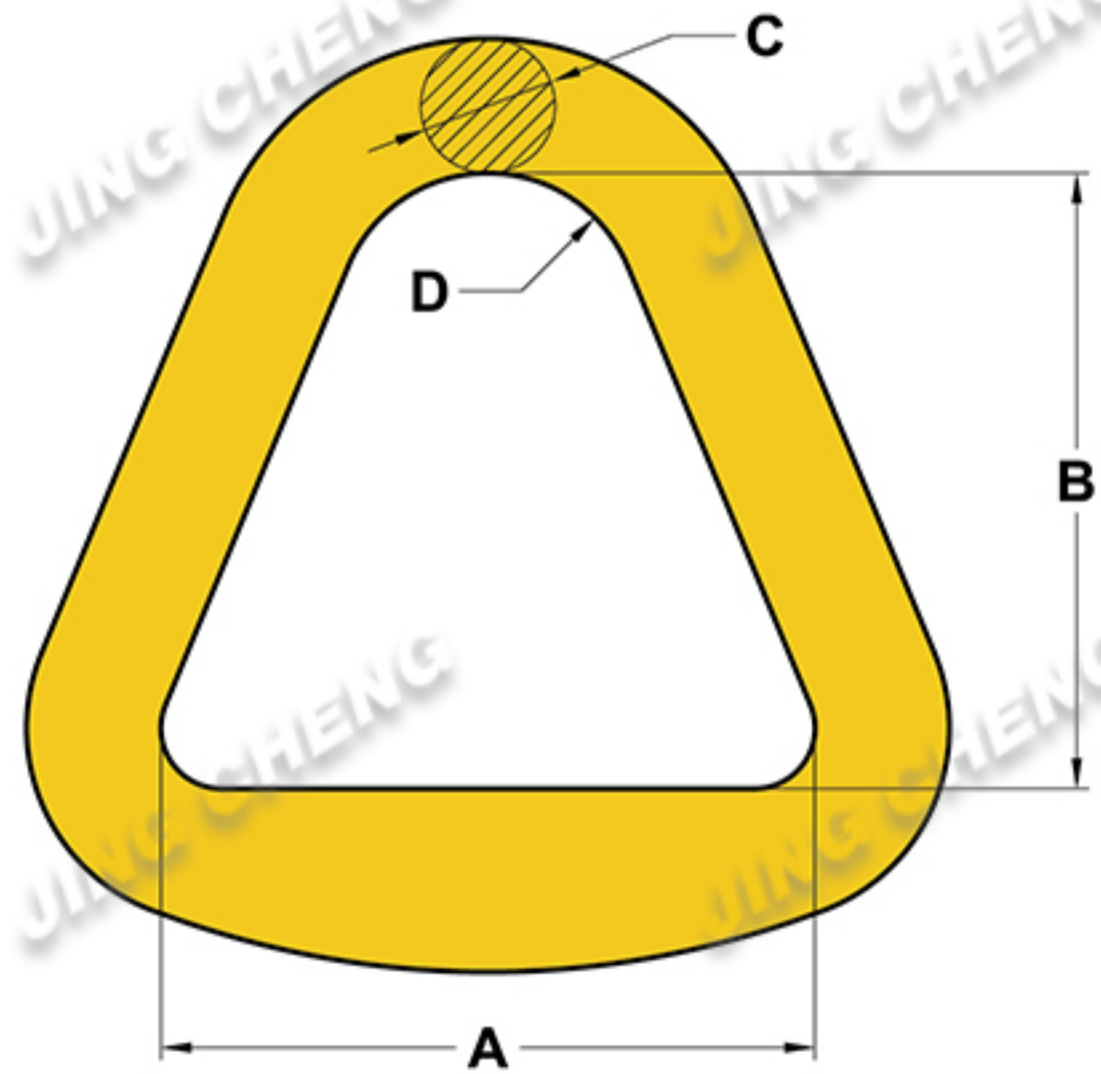
Item No.	Class	Weight Each (kg)	Safe Working Load (T)	Minimum Breaking Load (T)	Dimensions (mm)				
					a	b	c	d	e
JCR230	A	0.15	0.32	1.6	10	67	67	25	8
JCR231	B	0.26	0.50	2.5	12	67	67	25	8
JCR232	C	0.35	0.80	4.0	14	67	67	25	8
JCR233	D	0.90	1.25	6.25	19	115	93	38	14
JCR234	E	1.23	2.00	10.0	22	115	93	38	14
JCR235	F	1.75	3.20	16.0	26	115	93	38	14

FORGED TRIANGLE RING WITH BASE



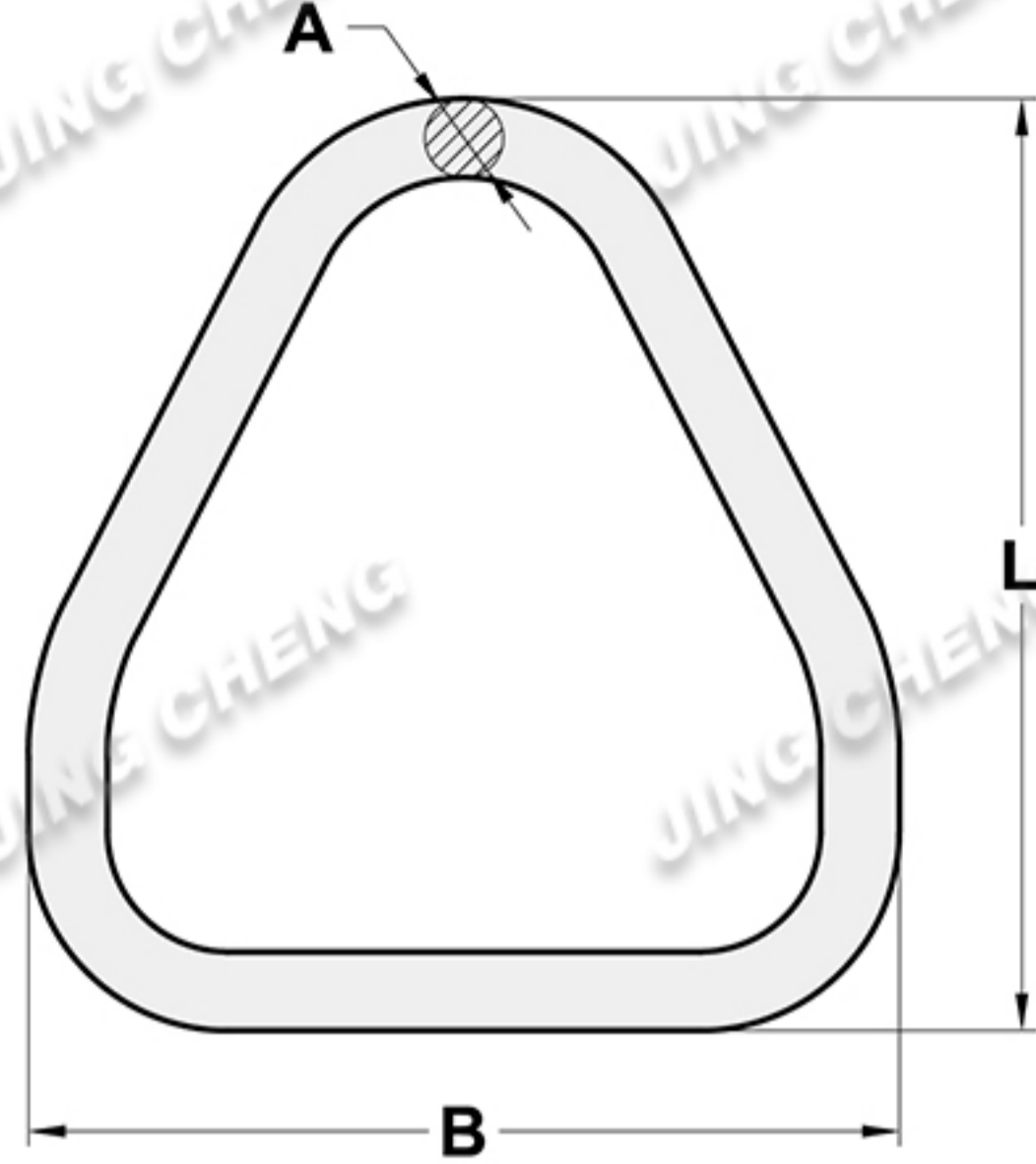
Item No.	Size	Working Load Limit (lbs.)	Breaking Load (lbs.)	Weight Each (kg)	Dimensions (mm)					
					A ± 2	Φ ± 2	B ± 2	C ± 3	L ± 3	M ± 3
JCR236	2000	2000	12000	0.3	44.5	8	19	65	76	8.3

FLAT DELTA RING



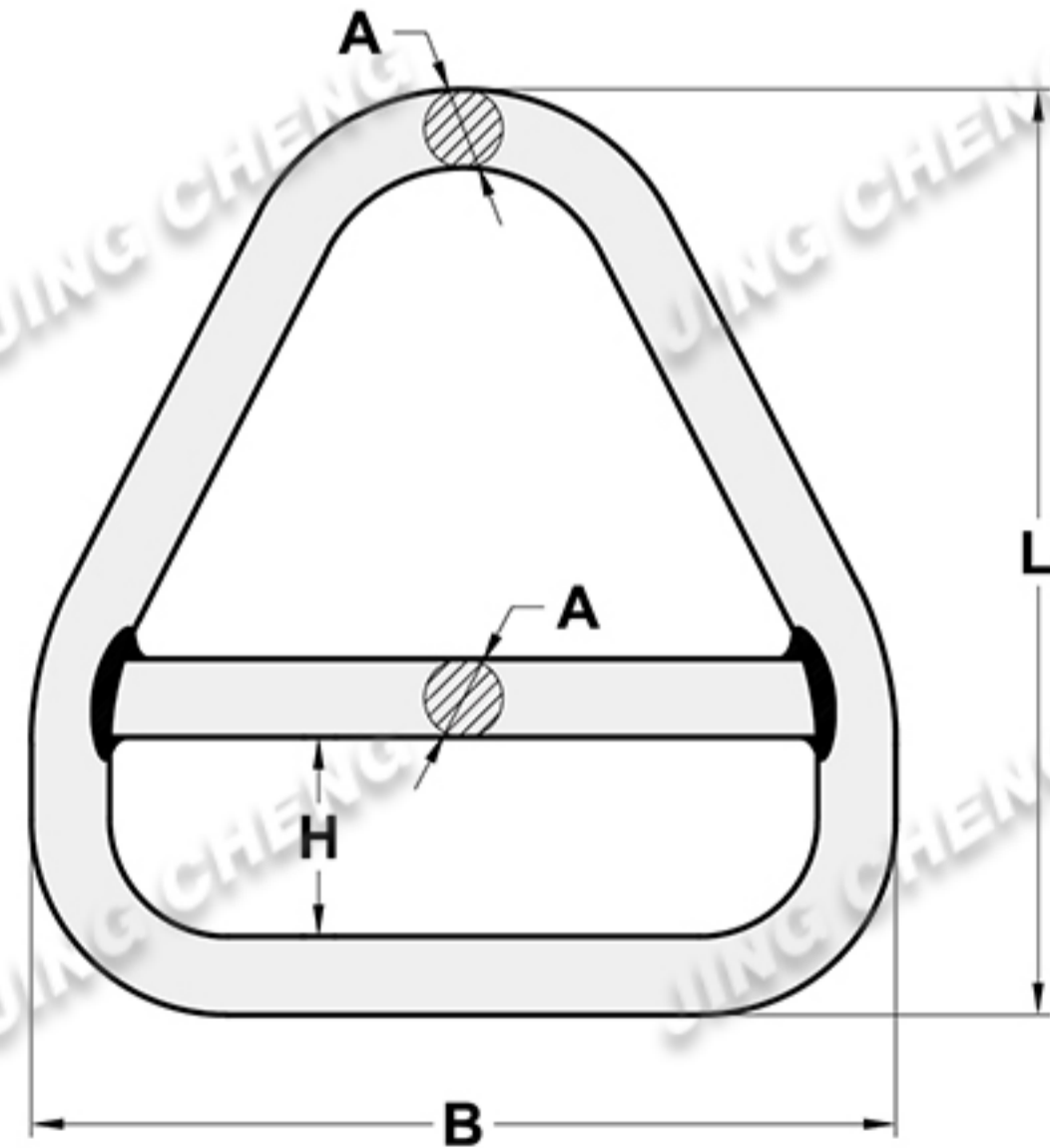
Item No.	Size (in)	Minimum Breaking Strength (lbs)	Weight Each (lbs)	Dimensions (mm)			
				A	B	C	D
JCR237	3	14400	1.63	81	85.7	17.0	17.5
JCR238	4	4000	3.15	108	101.6	22.2	25

ALLOY TRIANGLE RING FOR WEB SLING



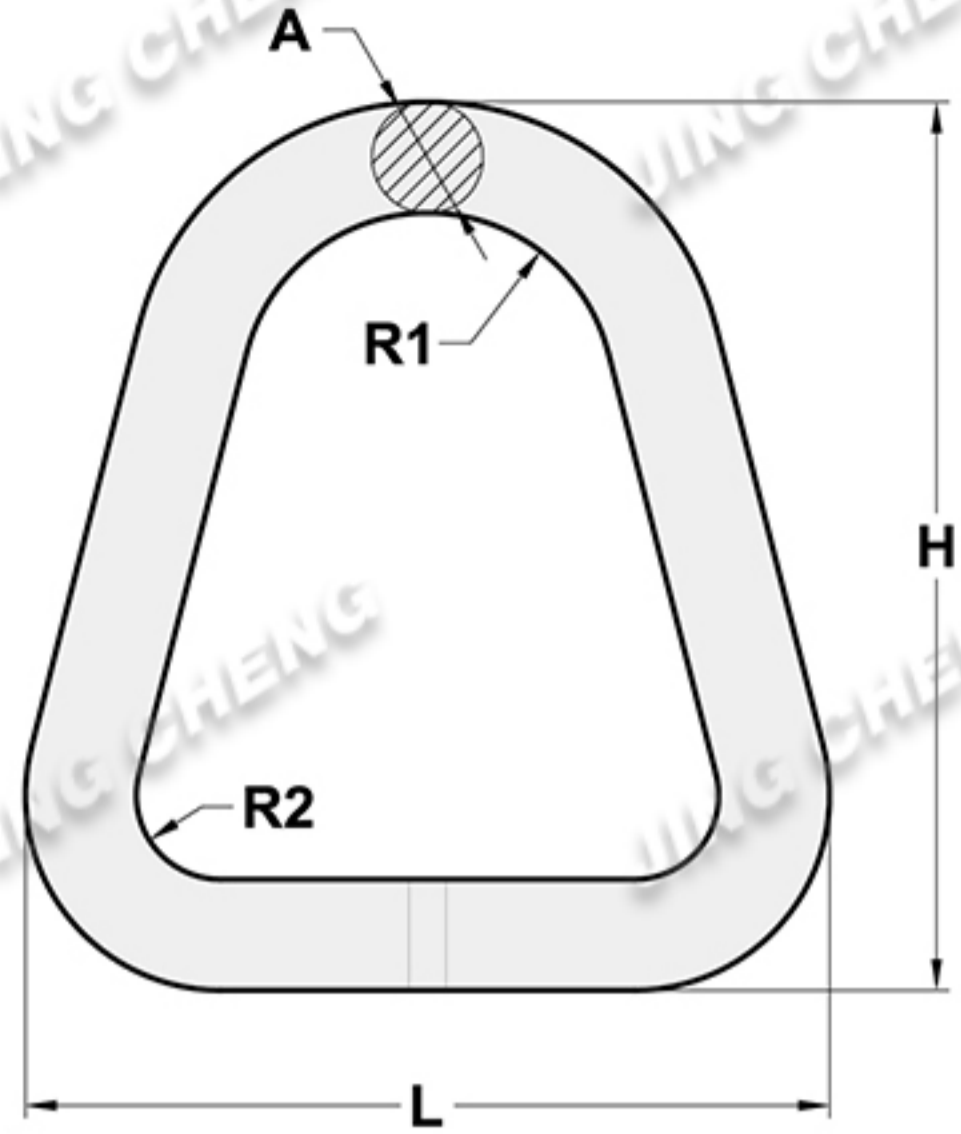
Item No.	Size	Weight Each (kg)	Working Load Limit (t)	Breaking Load Limit (t)	Dimensions (mm)		
					A	B	L
JCR239	2T	0.81	2	8	16	145	194
JCR240	3T	1.66	3	12	20	199	248
JCR241	4T	2.25	4	16	22	243	260
JCR242	6T	4.91	6	24	28	340	340

ALLOY TRIANGLE RING FOR WEB SLING



Item No.	Size	Weight Each (kg)	Working Load Limit (t)	Breaking Load Limit (t)	Dimensions (mm)			
					A	B	H	L
JCR243	2T	0.99	2	8	16	145	46	194
JCR244	3T	2.04	3	12	20	199	57	248
JCR245	4T	2.82	4	16	22	243	56	260
JCR246	6T	6.30	6	24	28	340	78	340

ALLOY TRIANGLE RING FOR WEB SLING



Item No.	Size	Weight Each (kg)	Working Load Limit (T)	Breaking Load (T)	Dimensions (mm)				
					A	H	L	R1	R2
JCR247	2T	0.47	2	8	16	112	100	15	5
JCR248	3T	1.12	3	12	20	160	145	33.5	6
JCR249	4T	1.52	4	16	22	175	178	32	10
JCR250	6T	3.5	6	24	28	235	260	45	25