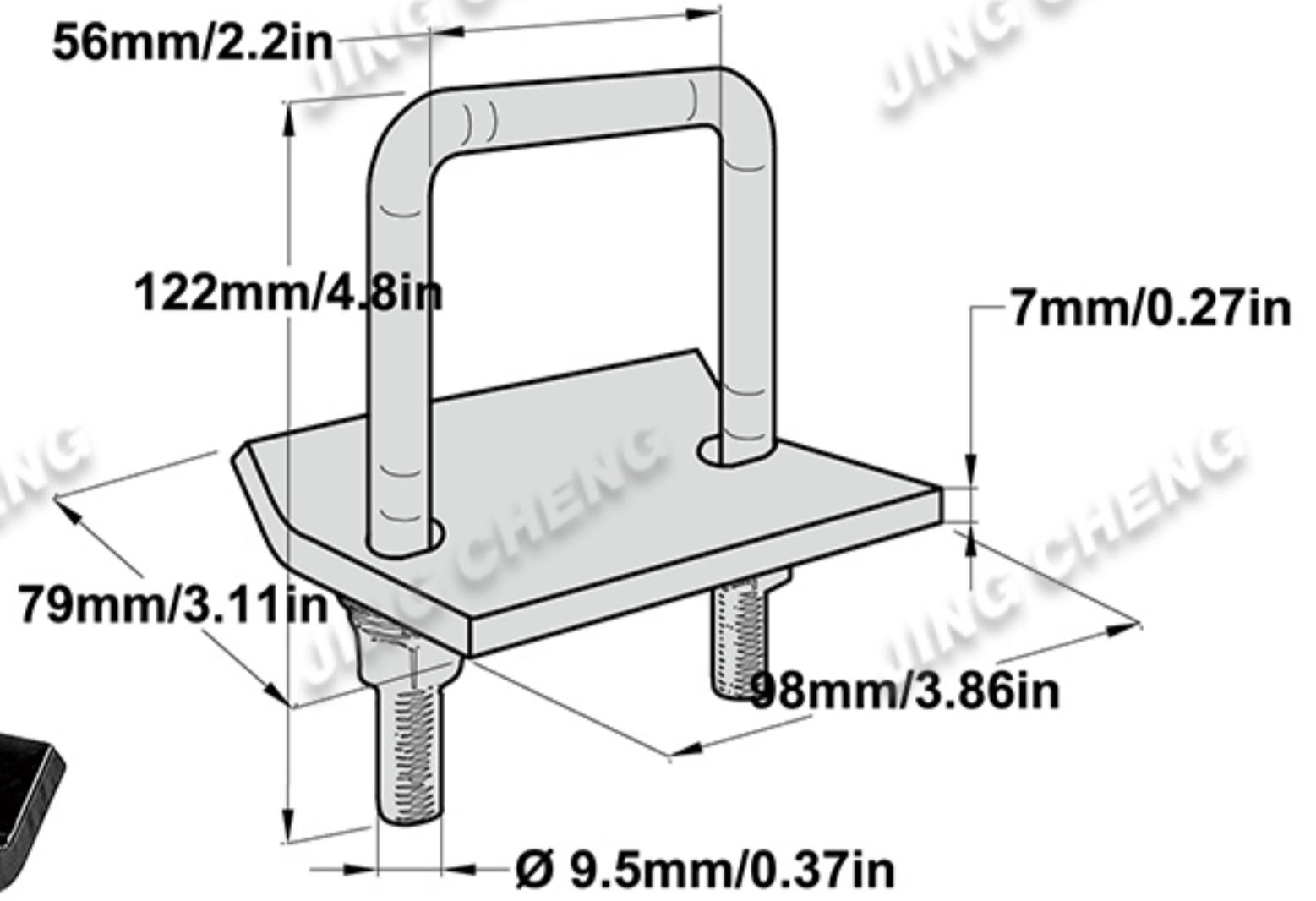
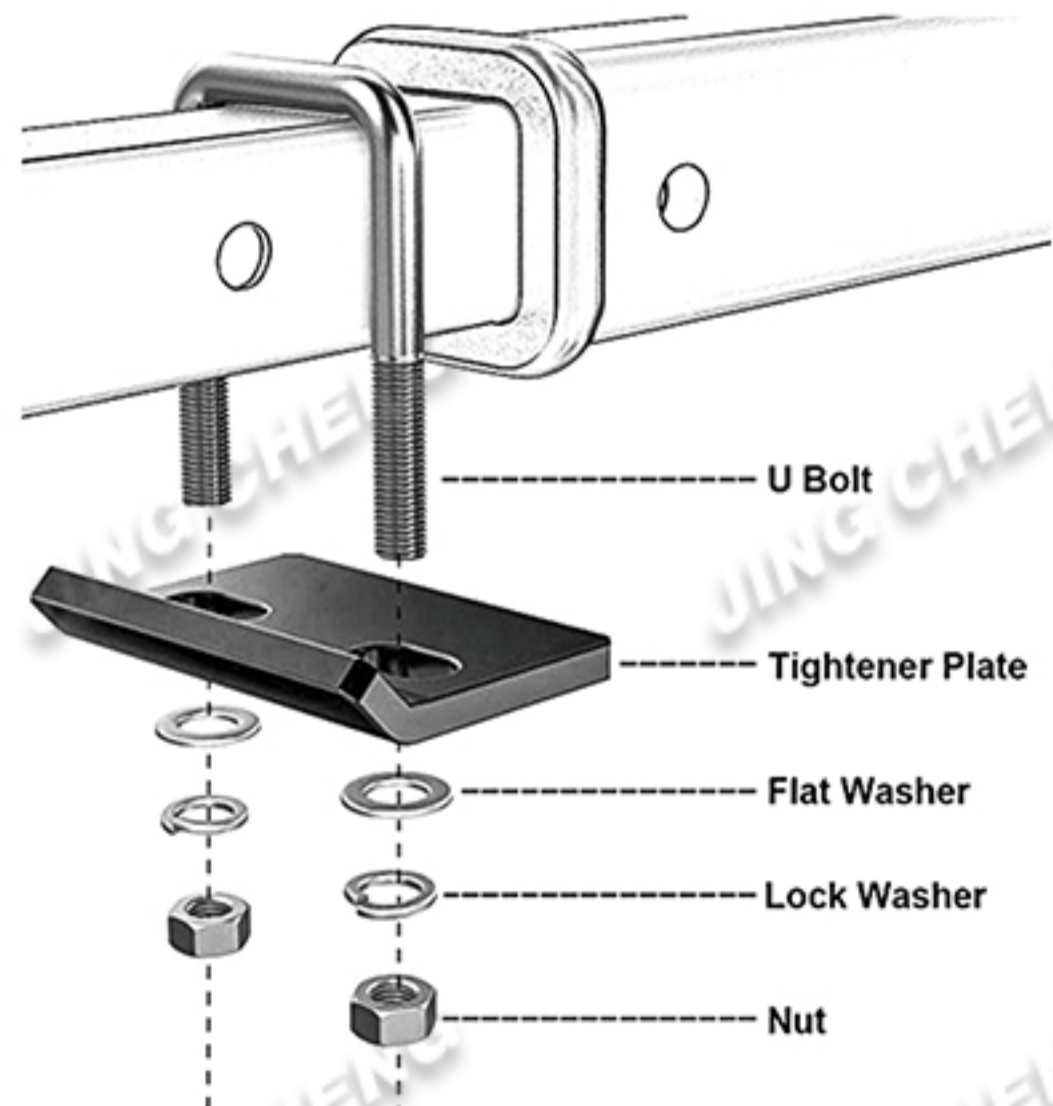


HITCH TIGHTENER

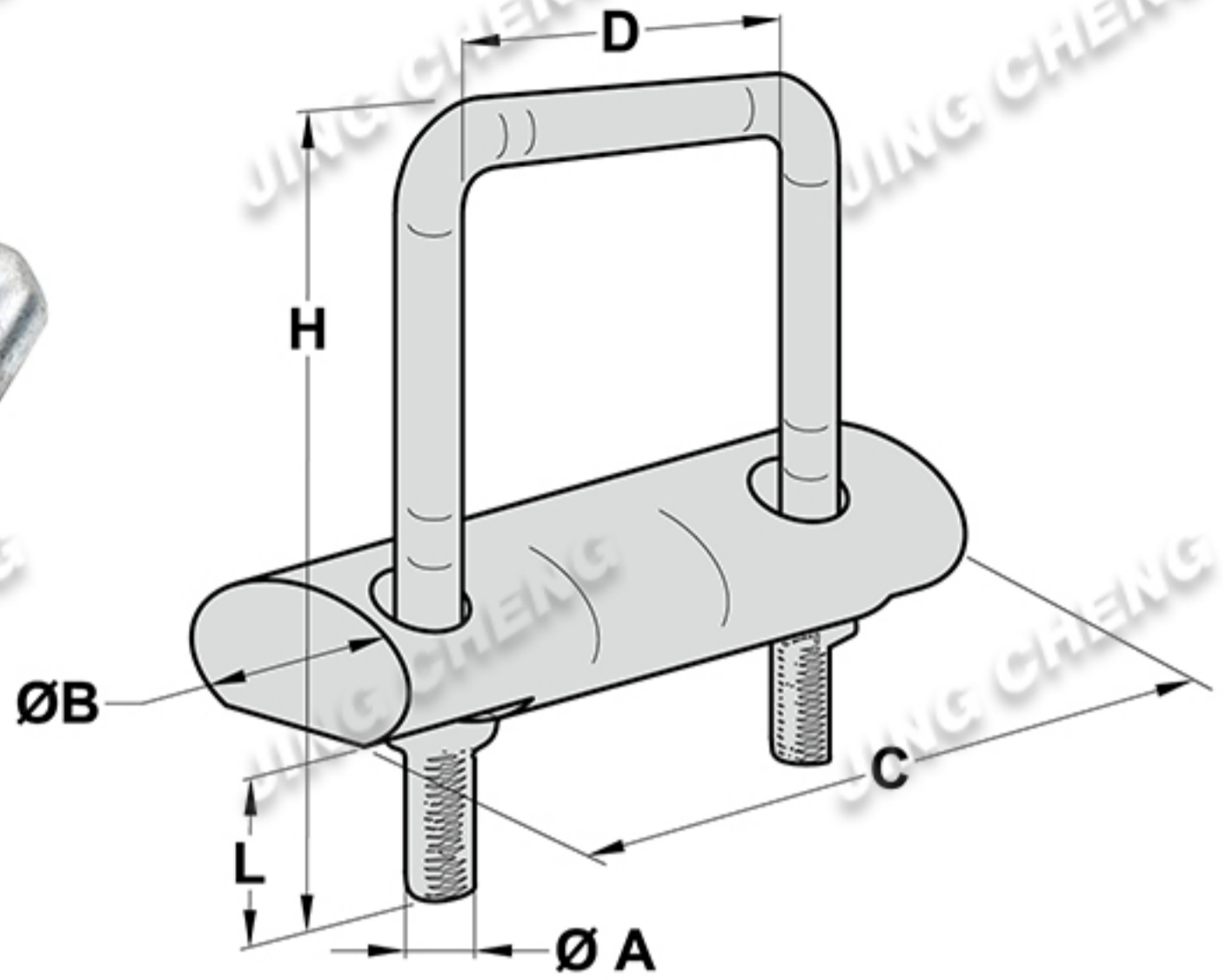
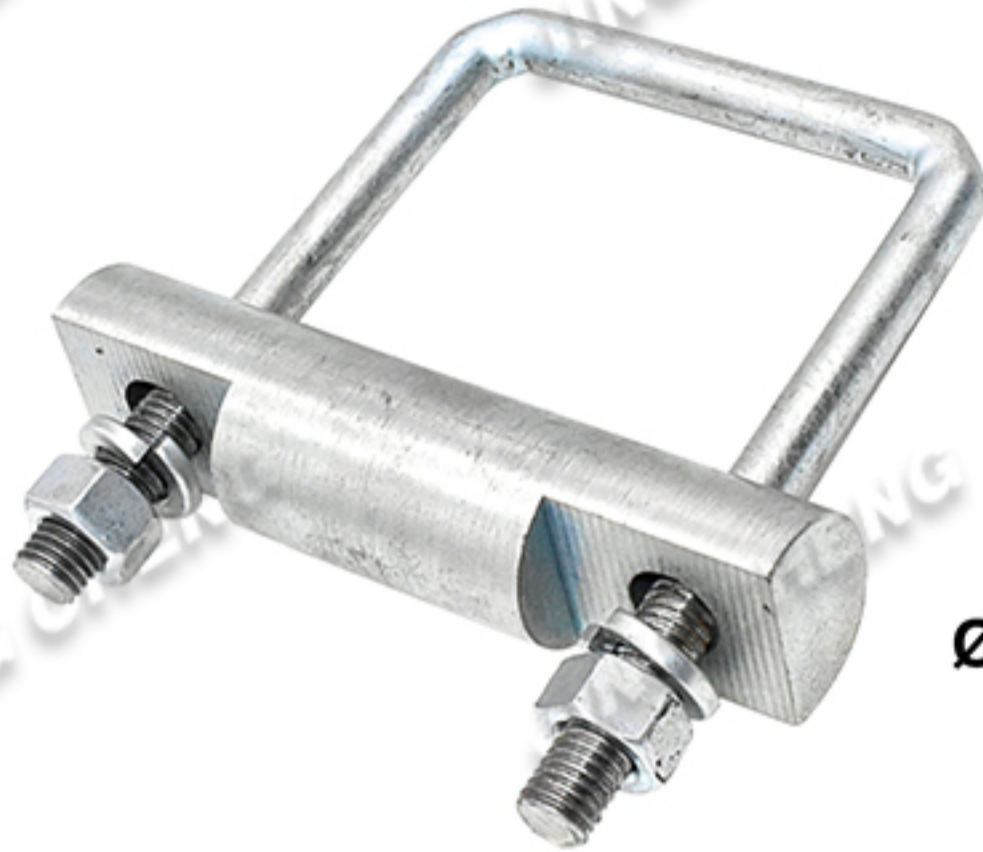
- Process: Stamping
- Material: Carbon Steel
- Surface: U Bolt is Zinc Plating, Plate is Powder Coated
- Size: Suit for 1-1/4" to 2" Hitch Extender
- Package: Bubble Bag+Box+Carton+Pallet



JCT043 HITCH TIGHTENER



HITCH TIGHTENER



- Process: Stamping
- Material: Carbon Steel
- Surface: Electrogalvanizing
- Size: Suit for 2" to 2-1/2" Hitch Extender
- Package: Bubble Bag+Box+Carton+Pallet

ITEM NO.	Dimensions (in.)					
	A	B	C	D	H	L*
JCT044	0.5	1.3	5	3	3.5	2
JCT045	0.5	1.3	5.5	3.5	5.1	2

*** Effective Tread Length

