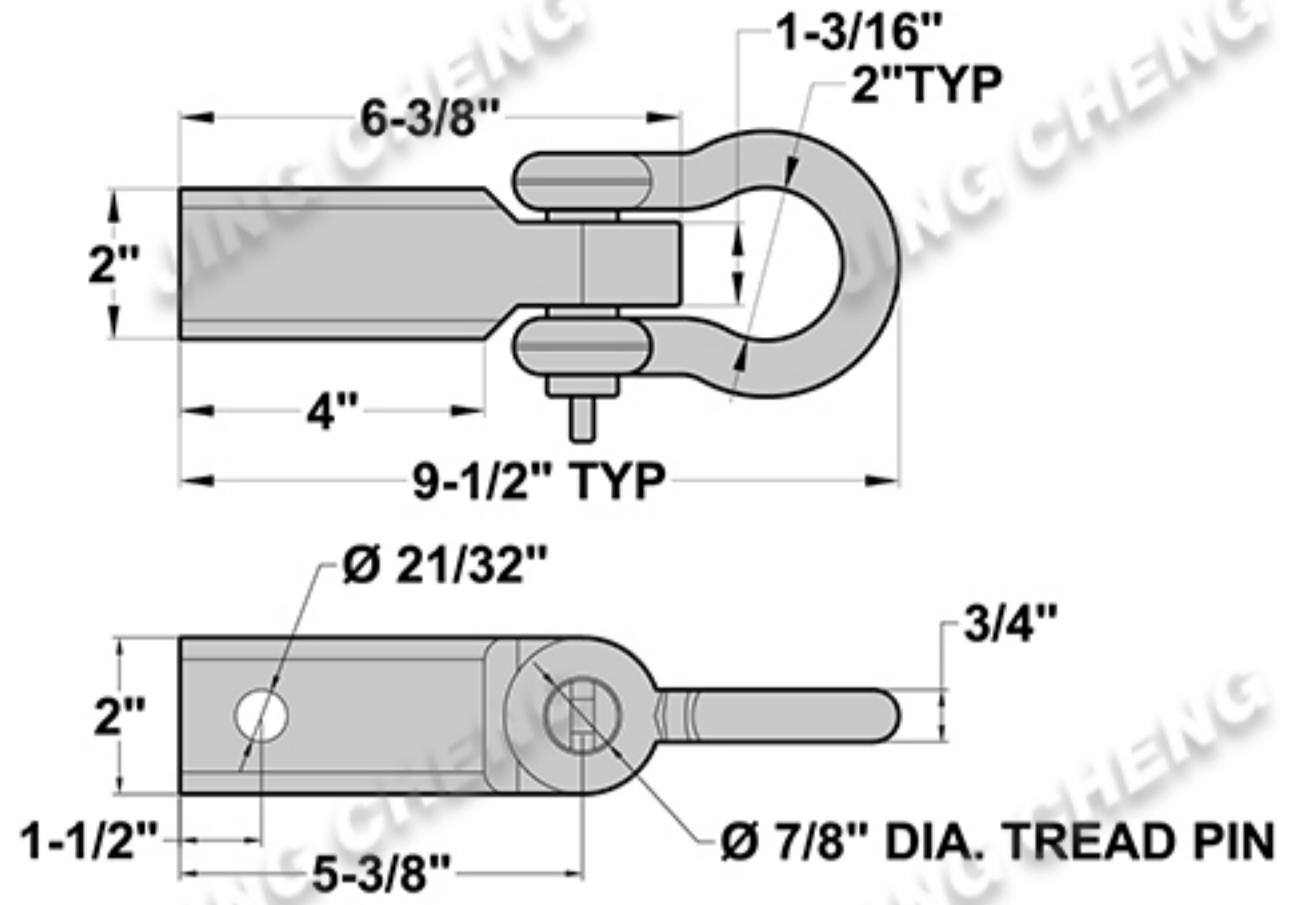
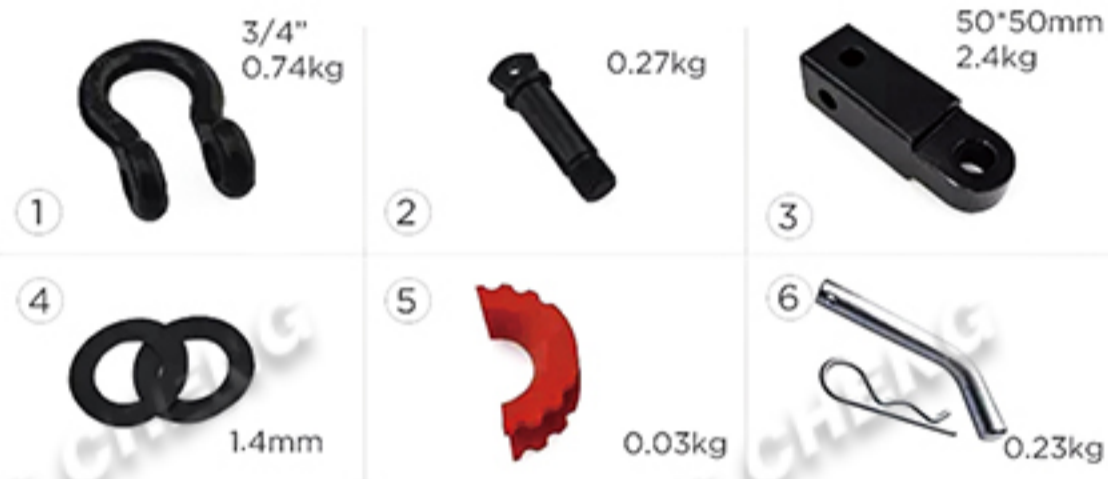


SHACKLE HITCH RECEIVER



- Process: Hitch Receiver is CNC, Shackle is Forging
- Material: Carbon Steel
- Surface: Powder Painted
- Fitting: Shackle Isolator, Hitch Pin, Washer etc

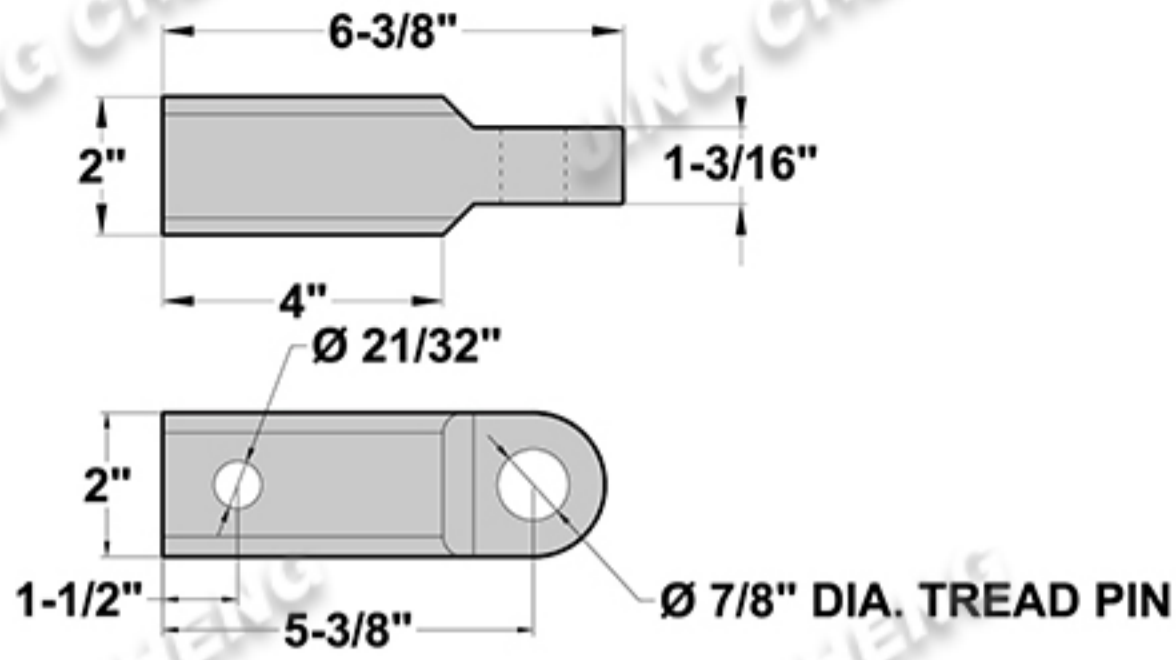


ITEM NO.	Size (in.)	Working Load Limit (t)	Weight Each (kg)
JCT012	2	4.75	3.4

CUSTOMIZED ON DEMAND Customized for Special Requirements



HITCH RECEIVER



- Process: CNC
- Material: Aluminum Alloy
- Surface: Anodic Oxidation
- Fitting: D Ring Shackle, Shackle Isolator, Hitch Pin, Washer etc

ITEM NO.	Size (in.)	Working Load Limit (t)	Weight Each (kg)
JCT013	2	5	0.88



- Process: CNC
- Material: Aluminum Alloy
- Surface: Anodic Oxidation
- Fitting: D Ring Shackle, Shackle Isolator, Hitch Pin, Washer etc

ITEM NO.	Size (in.)	Working Load Limit (lbs.)	Weight Each (kg)
JCT014	2	13000	1.02

