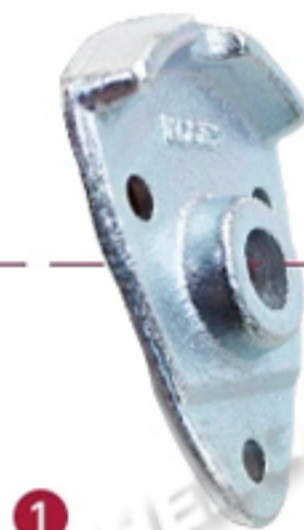
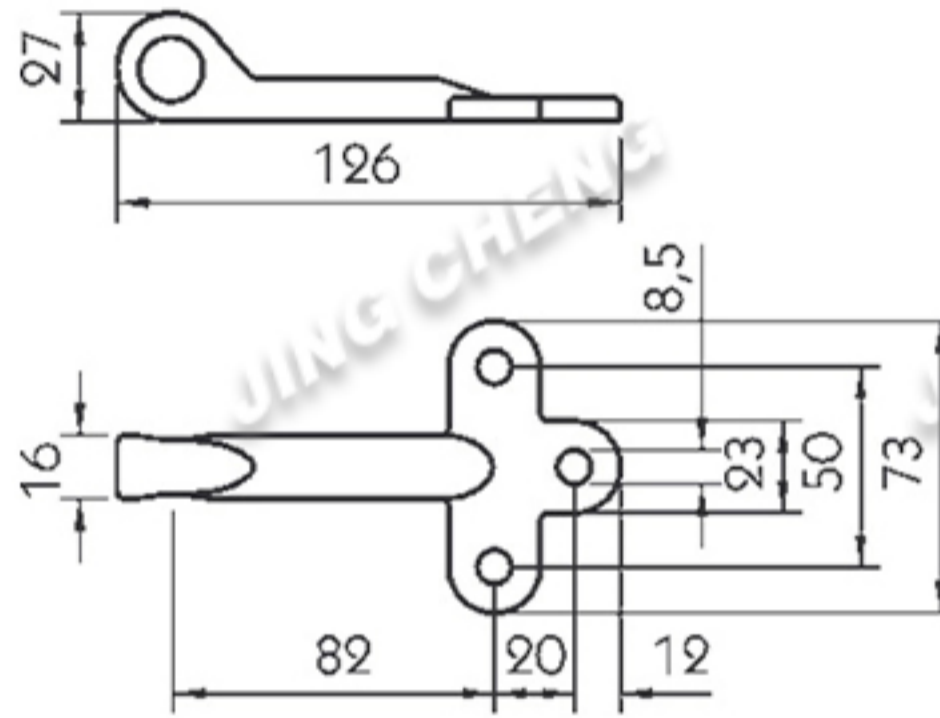
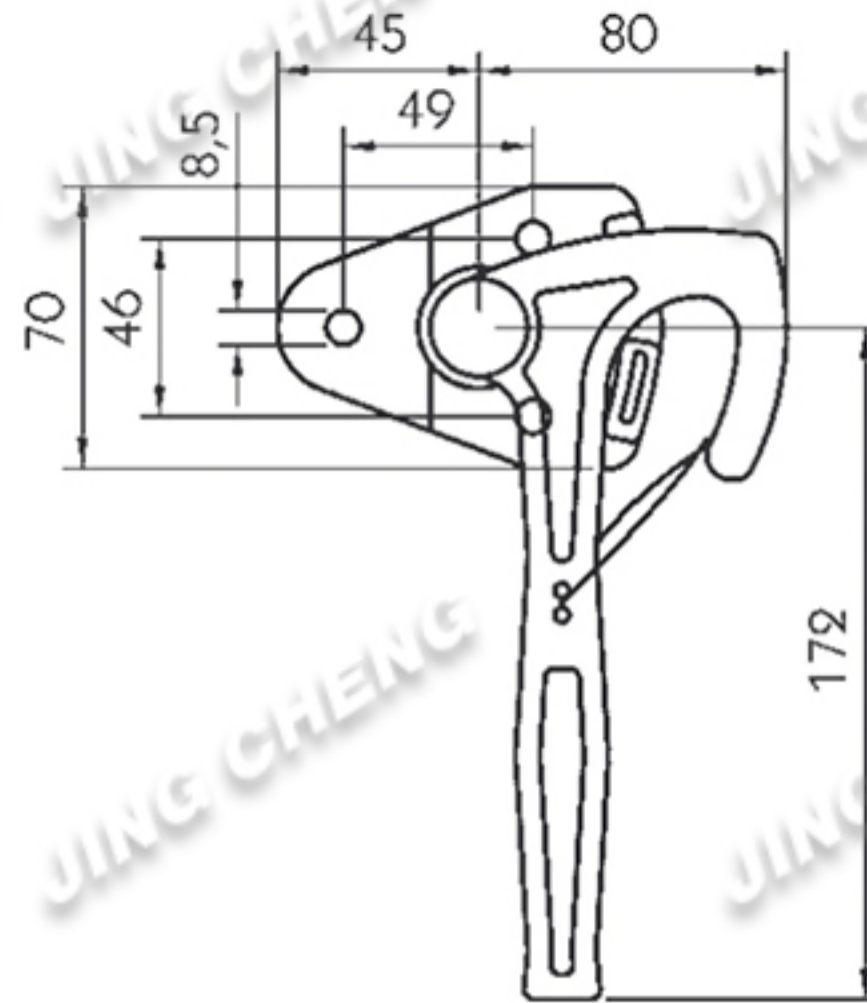


TRAILER LATCH



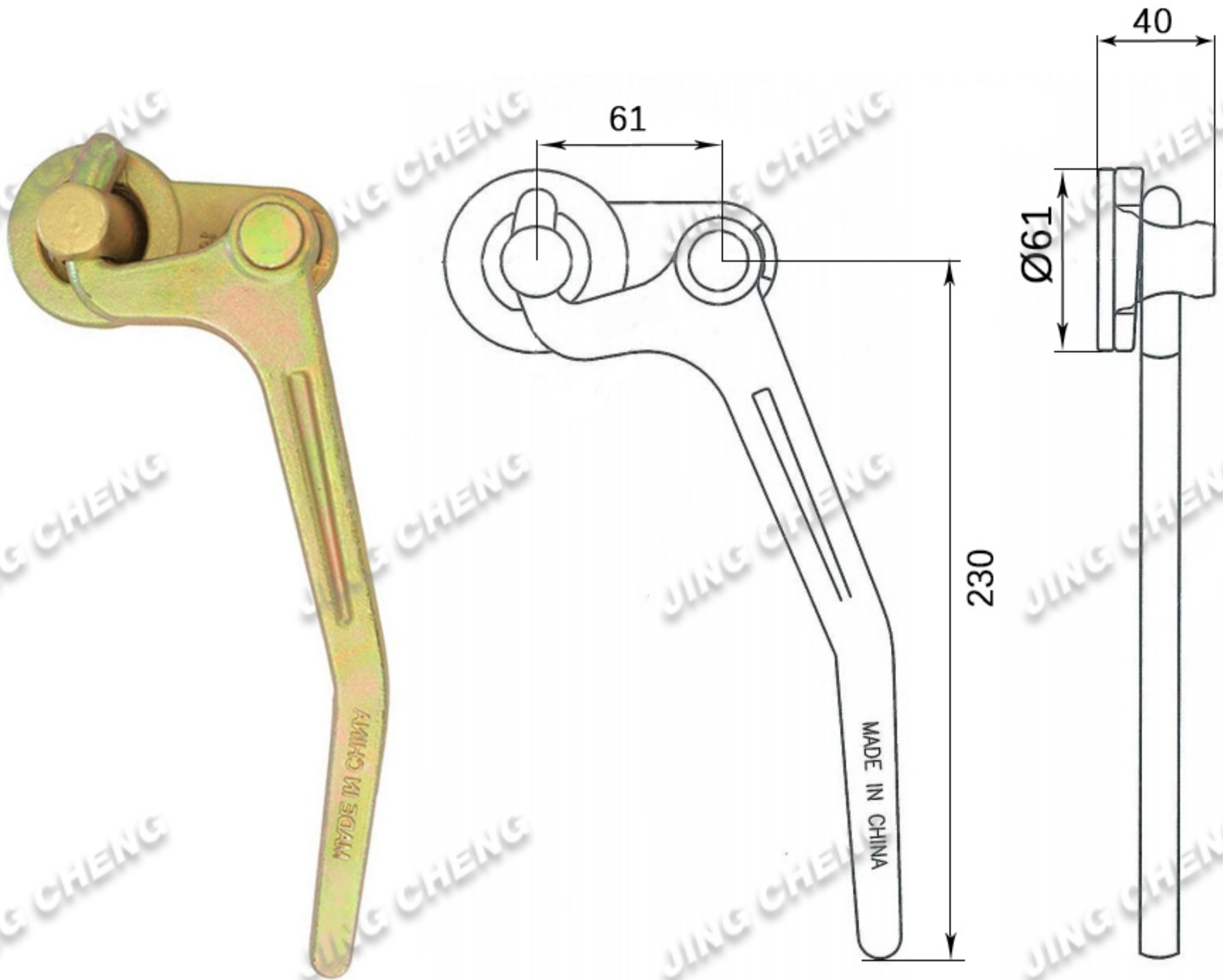
1 Forged base, high quality and more solid

2 Forged handle, high quality, strong and durable

Alloy spring sheet, wear-resisting, good rebound, long service life

5 Rivet technology, product firm and durable

3 304 stainless steel spring, corrosion resistance, good rebound



TRAILER LATCH



• ANGLE LEVER LOCK



• ANGLE LEVER LOCK



• ANGLE LEVER LOCK



• TRAILER LOCK LATCH



• TRAILER OVERCENTER LOCK LATCH



• TRUCK SIDE DOOR LOCK



• TRUCK DOOR HANDLE LOCK



• TRUCK LOCK LATCH



• TRAILER BOX SIDE DOOR LOCK



• TRUCK LOCK LATCH



• TRAILER LOCK LATCH WITH PLATE



• TRAILER LOCK LATCH WITH PLATE