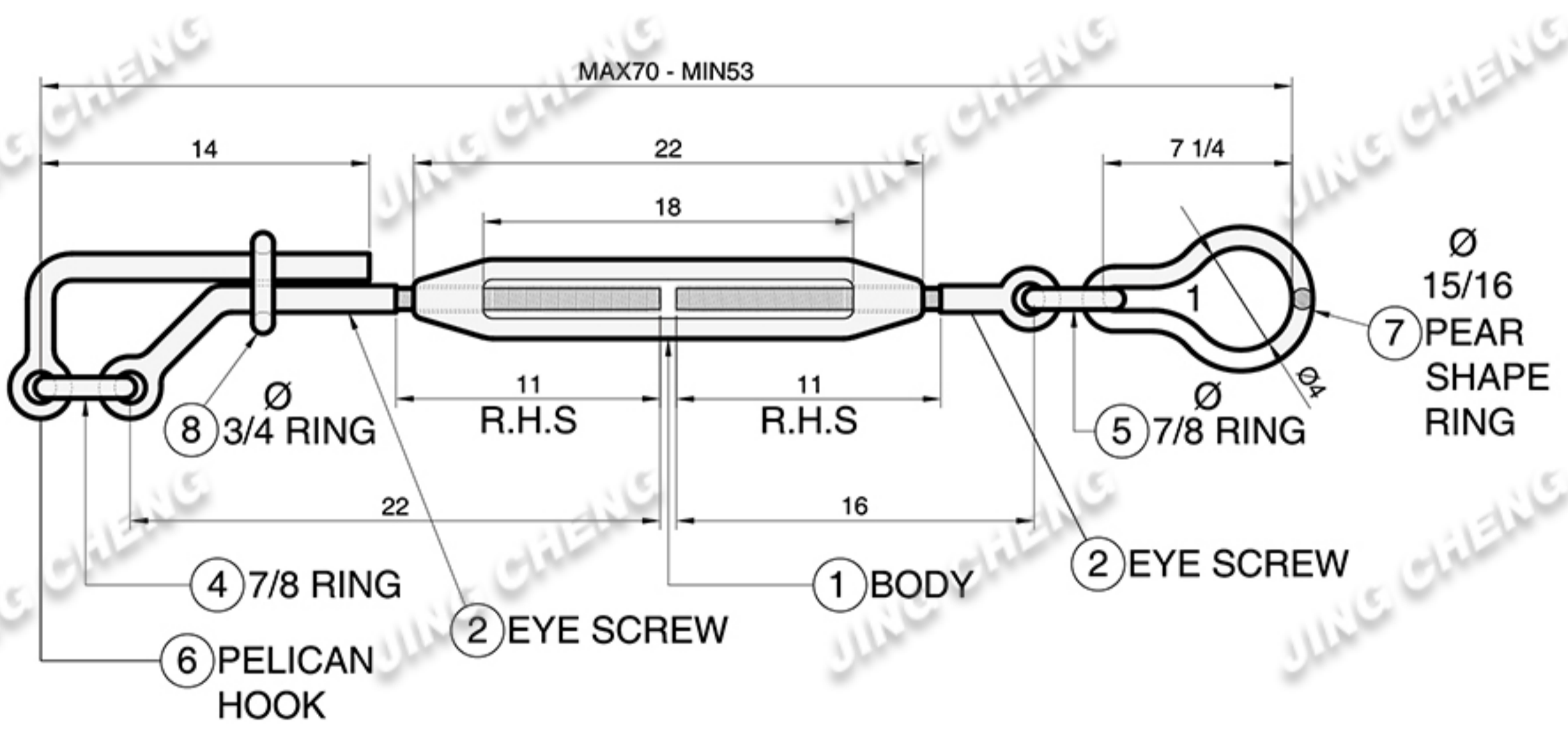
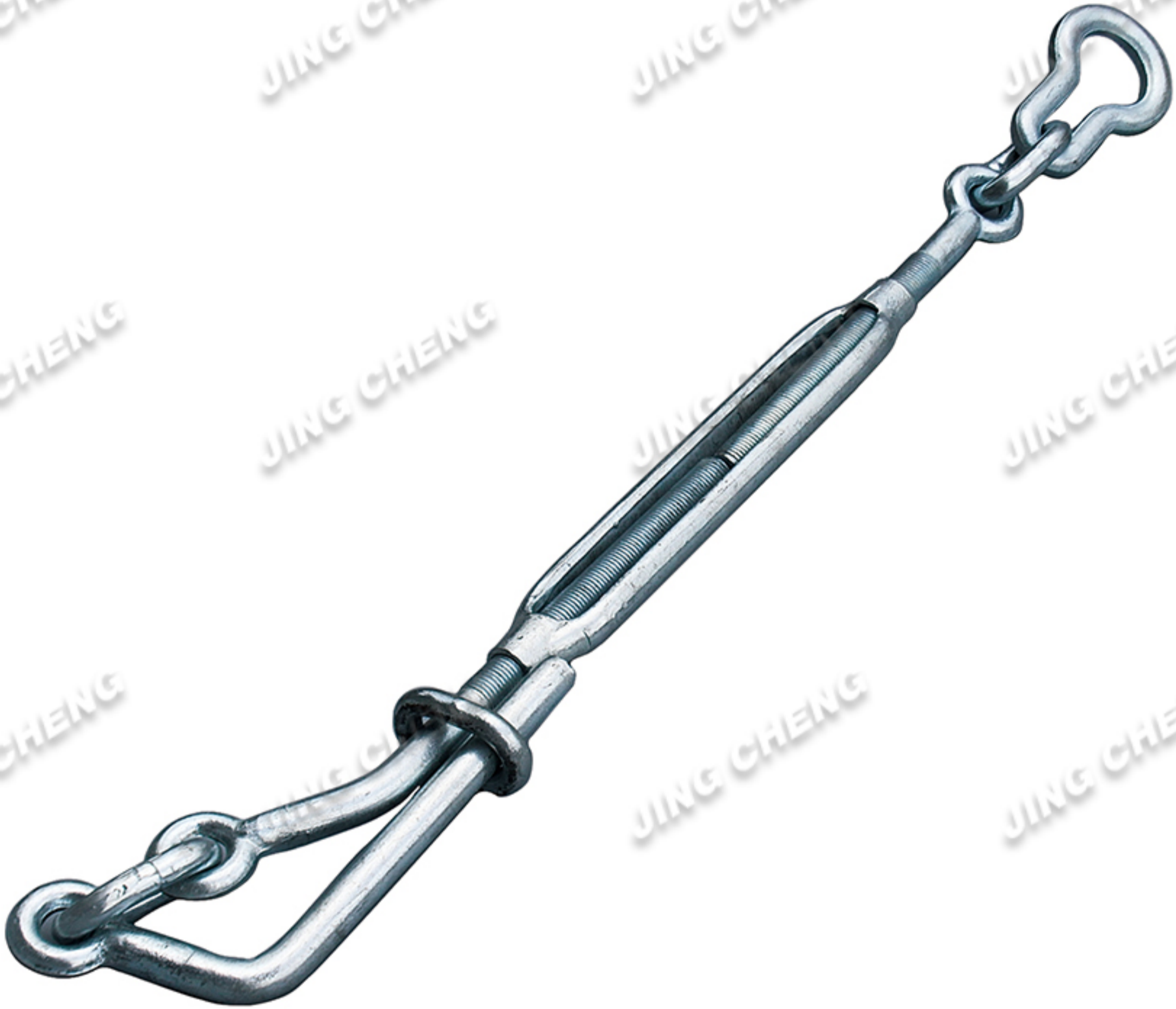
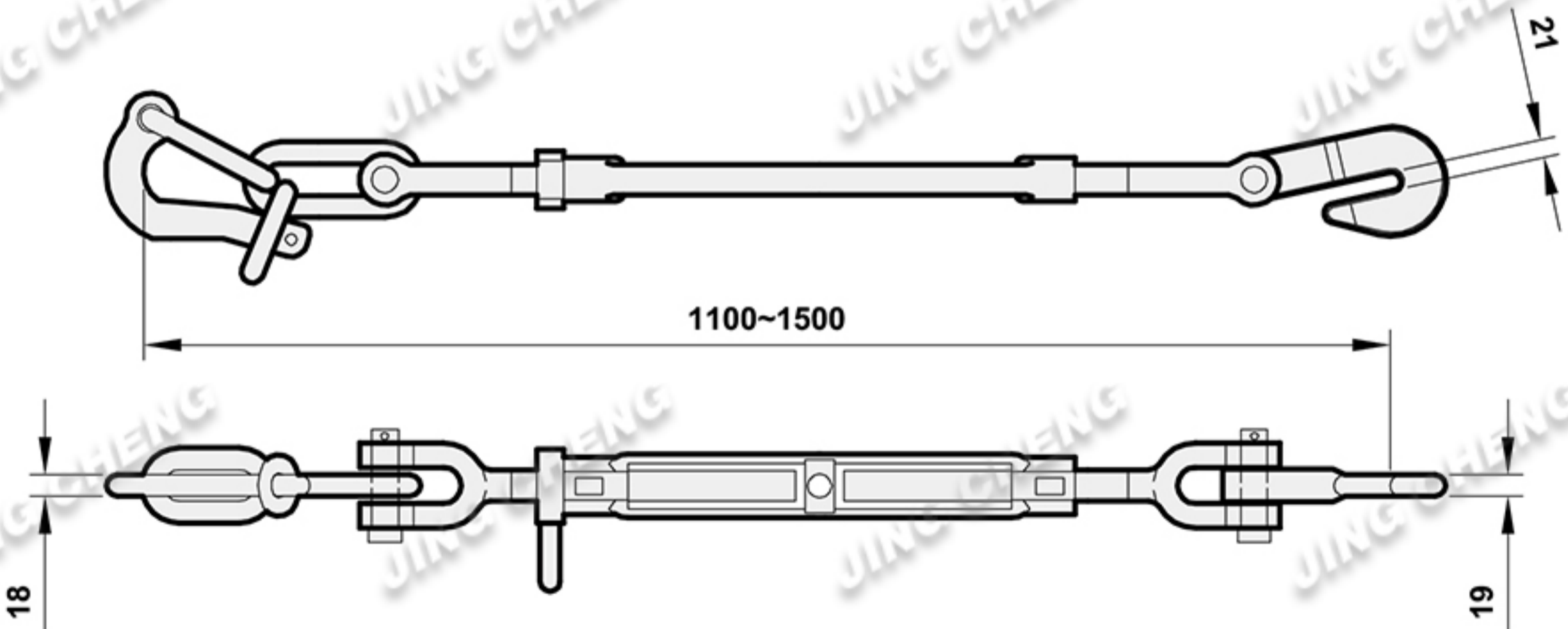


## DECKLASHING TURNBUCKLE WITH PELICAN AND PEAR SHAPE LINK



Item No.	Size (in)	Working Load Limit (t)	Dimensions (mm)		Weight (kg)
			Max. Length	Min. Length	
JCW359	1-1/4 x 18	25.5	1775	1270	16.8

## DECKLASHING TURNBUCKLE, SLIP HOOK & HOOK TYPE



Item No.	Size (in)	S.W.L (kn)	B.L (kn)	Dimensions (mm)		Weight (kg)
				Max. Length	Min. Length	
JCW360	1 × 18	40	160	1500	1100	12.5