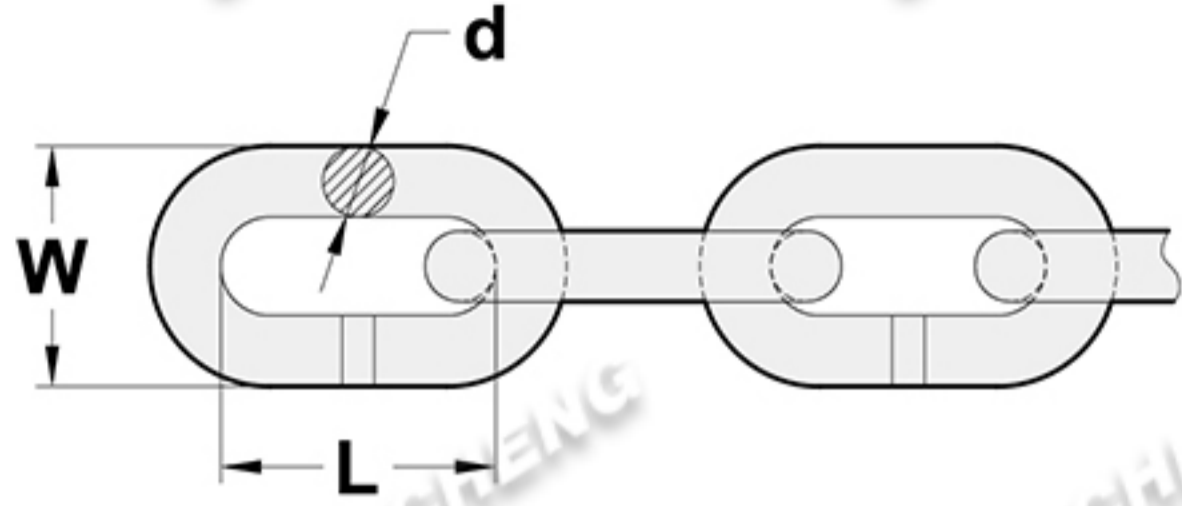


ENGLISH STANDARD ORDINARY LINK CHAIN



1. SHORT LINK CHAIN

Item No.	Link Specification			Proof Load	Breaking Load	Net WT Per 200 FT (kg)		
	Diameter (d)	Inside Length (L)	Outside Width (W)			B.F.	H.D.G.	
JCC185	Inch	±mm	mm	mm	kg	kg	B.F.	H.D.G.
JCC186	1/8	3.20	16	12	200	400	11.4	11.7
JCC187	5/32	4.00	18.5	14.5	300	600	18.6	19.0
JCC188	3/16	4.70	19	17	400	800	26.2	27.0
JCC189	7/32	5.50	20	19	550	1100	36.8	38.0
JCC190	1/4	6.35	22	21	750	1500	50.0	51.5
JCC191	5/16	7.94	26	26	1200	2400	80.0	82.4
JCC192	3/8	9.50	28	32	1700	3400	122.0	125.7
JCC193	7/16	11.11	33	36	2300	4600	164.0	169.0
JCC194	1/2	12.70	39	43	3000	6000	210.0	216.0
JCC195	5/8	15.80	45	53	4700	9400	334.0	344.0
JCC196	3/4	19.00	55	63	6800	13600	485.0	499.0
JCC197	7/8	22.20	64	74	9250	18500	656.0	675.0
JCC198	1	25.40	73	84	12150	24300	870.0	896.0

2. LONG LINK CHAIN

Item No.	Link Specification			Proof Load	Breaking Load	Net WT Per 200 FT (kg)		
	Diameter (d)	Inside Length (L)	Outside Width (W)			B.F.	H.D.G.	
JCC199	Inch	±mm	mm	mm	kg	kg	B.F.	H.D.G.
JCC200	1/8	3.20	23	12	200	400	10.4	10.7
JCC201	5/32	4.00	27	15	300	600	16.6	17.5
JCC202	3/16	4.70	31	17	400	800	22.4	23.3
JCC203	7/32	5.50	32	19	550	1100	32.0	33.0
JCC204	1/4	6.35	33	21	750	1500	43.5	44.8
JCC205	5/16	7.94	48	31	1200	2400	68.0	70.0
JCC206	3/8	9.50	60	37	1700	3400	96.0	99.0
JCC207	7/16	11.11	71	41	2300	4600	126.0	129.0
JCC208	1/2	12.70	85	48.5	3000	6000	167.0	172.0
JCC209	5/8	15.80	114	61.5	4700	9400	256.0	264.0
JCC210	3/4	19.00	125	75	6800	13600	381.0	392.0
JCC211	7/8	22.20	140	88	9250	18500	527.0	543.0
JCC212	1	25.40	155	100	12150	24300	696.0	716.0