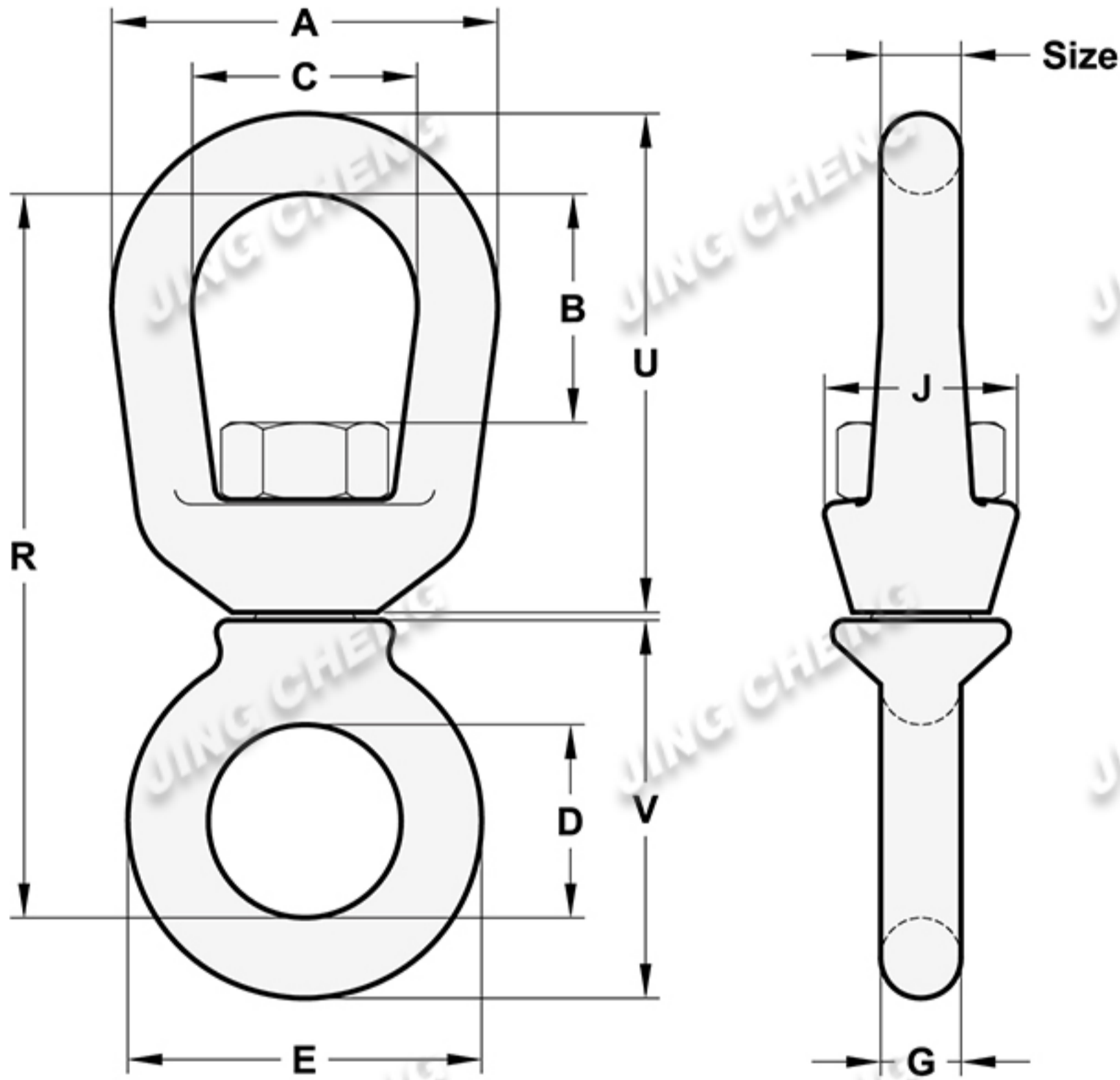


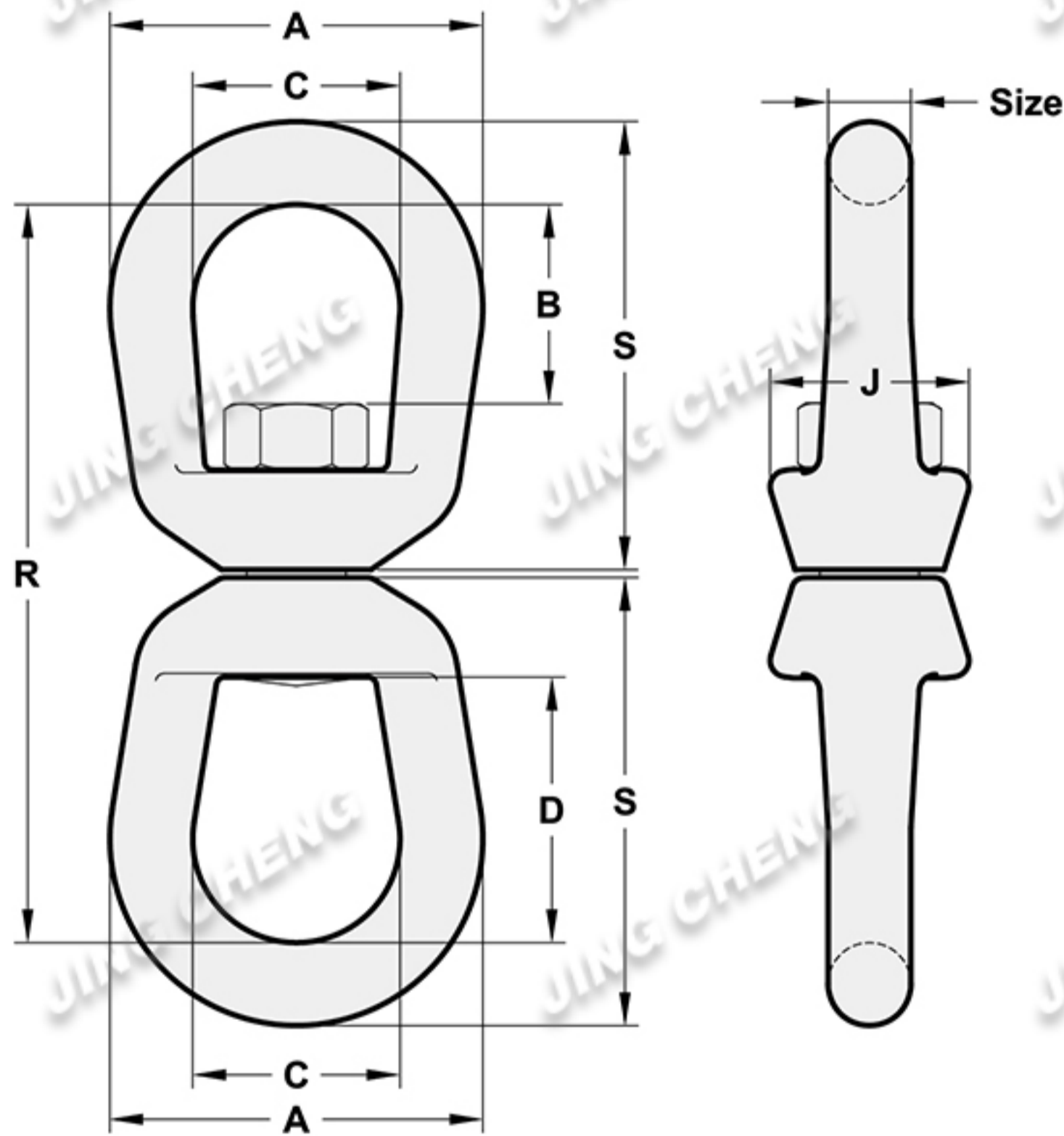
JING CHENG

G401 CHAIN SWIVELS



Item No.	Size (in)	Working Load Limit (lbs)	Weight Each (lbs)	Dimensions(in)										
				A	B	C	D	E	G	J	M	R	U	V
JCH272	1/4	850	0.13	1.25	0.69	0.75	0.62	1.12	0.25	0.69	0.31	2.25	1.69	1.25
JCH273	5/16	1250	0.25	1.63	0.81	1.00	0.75	1.38	0.31	0.81	0.38	2.72	2.06	1.47
JCH274	3/8	2250	0.54	2.00	0.94	1.25	1.00	1.75	0.38	1.00	0.50	3.44	2.50	1.88
JCH275	1/2	3600	1.12	2.50	1.31	1.50	1.25	2.25	0.50	1.31	0.63	4.25	3.19	2.44
JCH276	5/8	5200	2.09	3.00	1.56	1.75	1.50	2.75	0.62	1.50	0.75	5.13	3.88	2.94
JCH277	3/4	7200	3.09	3.50	1.75	2.00	1.75	3.25	0.75	1.88	0.88	5.78	4.94	3.46

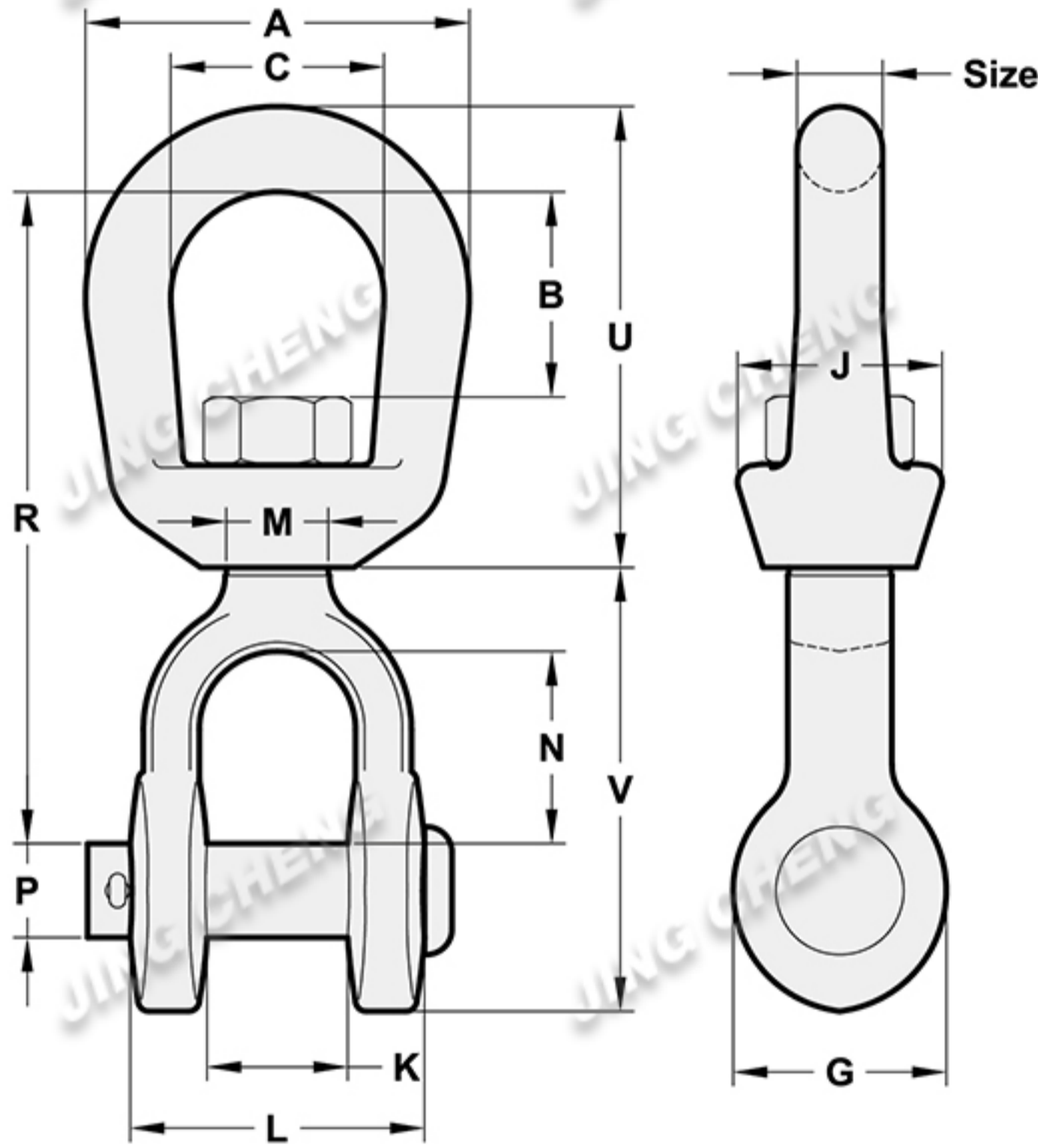
G402 REGULAR CHAIN SWIVELS



Item No.	Size (in)	Working Load Limit (lbs)	Weight Each (lbs)	Dimensions(in)							
				A	B	C	D	J	M	R	S
JCH278	1/4	850	0.21	1.25	0.69	0.75	1.06	0.69	0.31	2.94	1.69
JCH279	5/16	1250	0.39	1.63	0.81	1.00	1.25	0.81	0.38	3.56	2.06
JCH280	3/8	2250	0.71	2.00	0.94	1.25	1.50	1.00	0.50	4.31	2.50
JCH281	1/2	3600	1.32	2.50	1.31	1.50	2.00	1.31	0.38	5.44	3.19
JCH282	5/8	5200	2.49	3.00	1.56	1.75	2.38	1.50	0.75	6.56	3.88
JCH283	3/4	7200	4.02	3.50	1.79	2.00	2.63	1.88	0.88	7.19	4.31
JCH284	7/8	10000	6.25	4.00	2.06	2.25	3.06	2.13	1.00	8.38	5.00
JCH285	1	12500	8.95	4.50	2.31	2.50	3.50	2.38	1.13	9.63	5.75
JCH286	1-1/4	18000	16.37	5.63	2.69	3.13	3.69	3.00	1.50	11.44	6.75
JCH287	1-1/2	45200	45.79	7.09	3.88	4.09	3.88	3.75	2.25	16.69	9.91

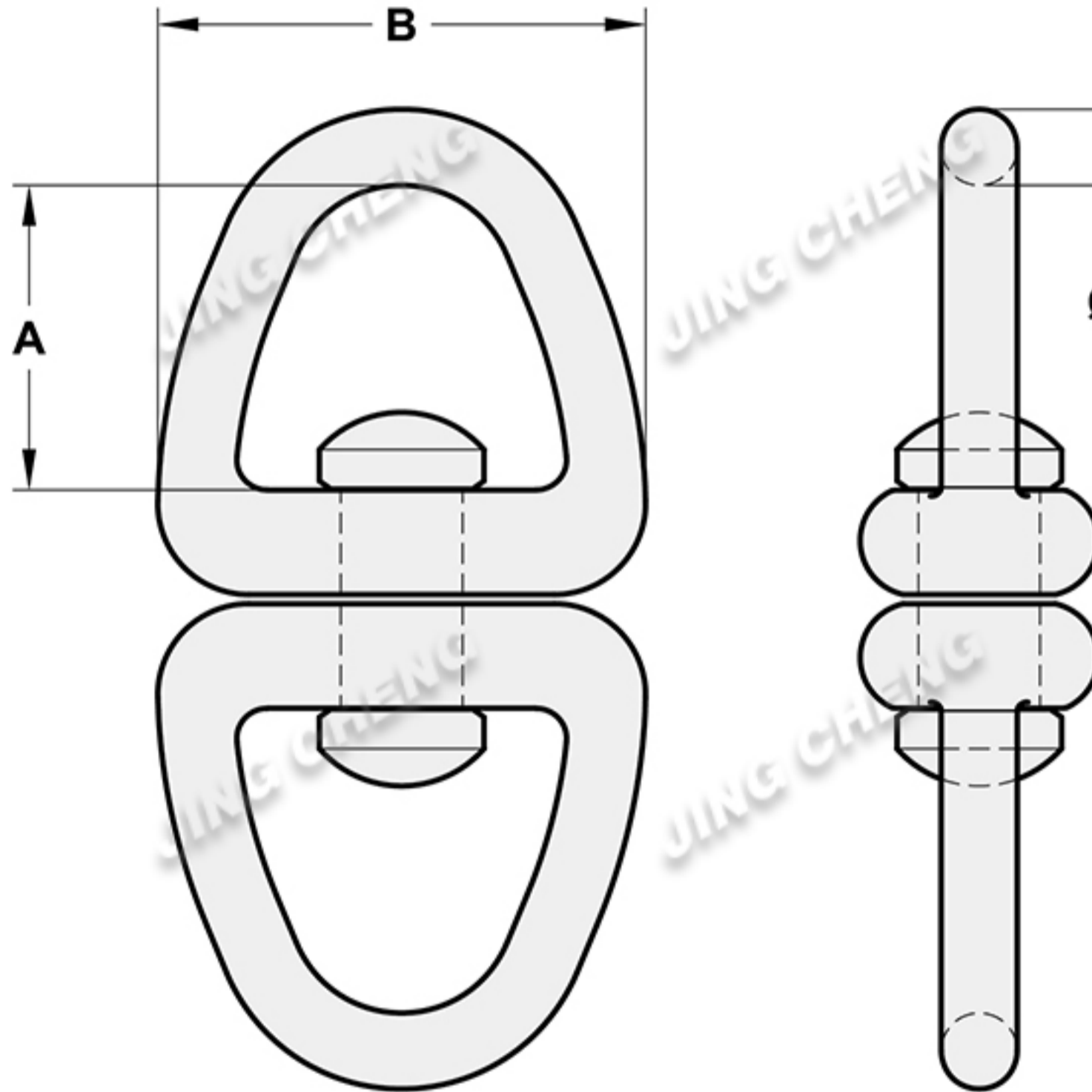
JING CHENG

G403 JAW SWIVELS

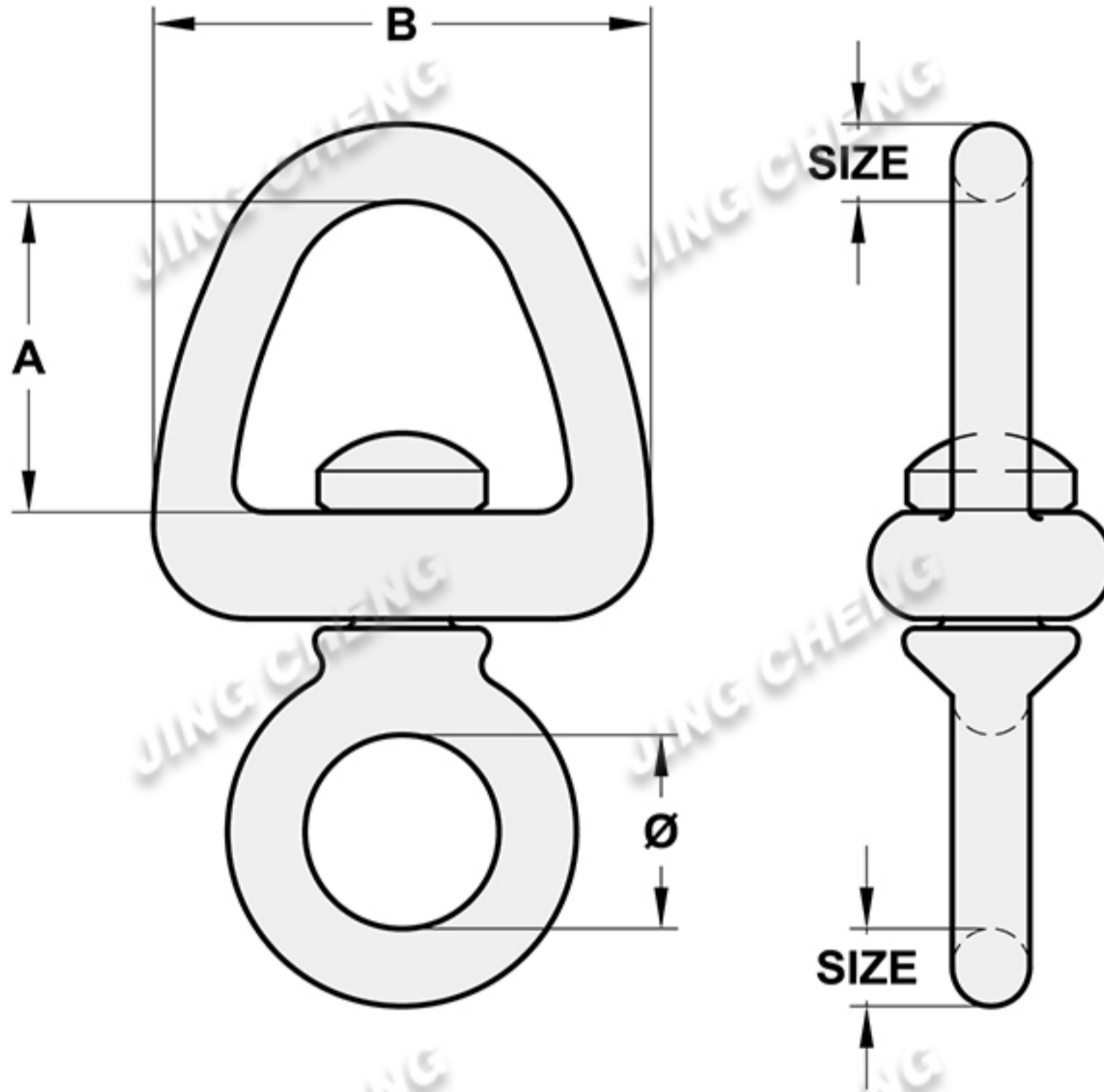


Item No.	Size (in)	Working Load Limit (lbs)	Weight Each (lbs)	Dimensions(in)												
				A	B	C	G	J	K	L	M	N	P	R	U	V
JCH288	1/4	850	0.21	1.25	0.69	0.75	0.69	0.69	0.47	1.03	0.31	0.88	0.25	2.63	1.69	1.69
JCH289	5/16	1250	0.34	1.63	0.81	1.00	0.81	0.81	0.50	1.13	0.38	0.88	0.31	2.94	2.06	1.81
JCH290	3/8	2250	0.66	2.00	0.94	1.25	1.00	1.00	0.63	1.41	0.50	1.06	0.38	3.63	2.50	2.25
JCH291	1/2	3600	1.34	2.50	1.31	1.50	1.31	1.31	0.75	1.75	0.63	1.31	0.50	4.50	3.19	2.88
JCH292	5/8	5200	2.48	3.00	1.56	1.75	1.63	1.50	0.94	2.06	0.75	1.50	0.63	5.31	3.88	3.44
JCH293	3/4	7200	3.88	3.50	1.75	2.00	1.88	1.88	1.13	2.53	0.88	1.75	0.75	6.06	4.31	4.00
JCH294	7/8	10000	5.87	4.00	2.06	2.25	2.13	2.13	1.34	2.79	1.00	2.06	0.88	7.00	5.00	4.53
JCH295	1	12500	9.84	4.50	2.31	2.50	2.63	2.88	1.75	3.72	1.13	2.81	1.13	8.56	5.75	5.94
JCH296	1-1/4	18000	15.75	5.69	2.69	3.13	3.13	3.00	2.06	4.31	1.63	2.81	1.38	9.75	7.06	6.38
JCH297	1-1/2	45200	54.75	7.00	3.88	4.00	5.63	4.00	2.88	6.00	2.25	4.44	2.25	14.25	10.00	10.84

FISHING SWIVELS "8" TYPE

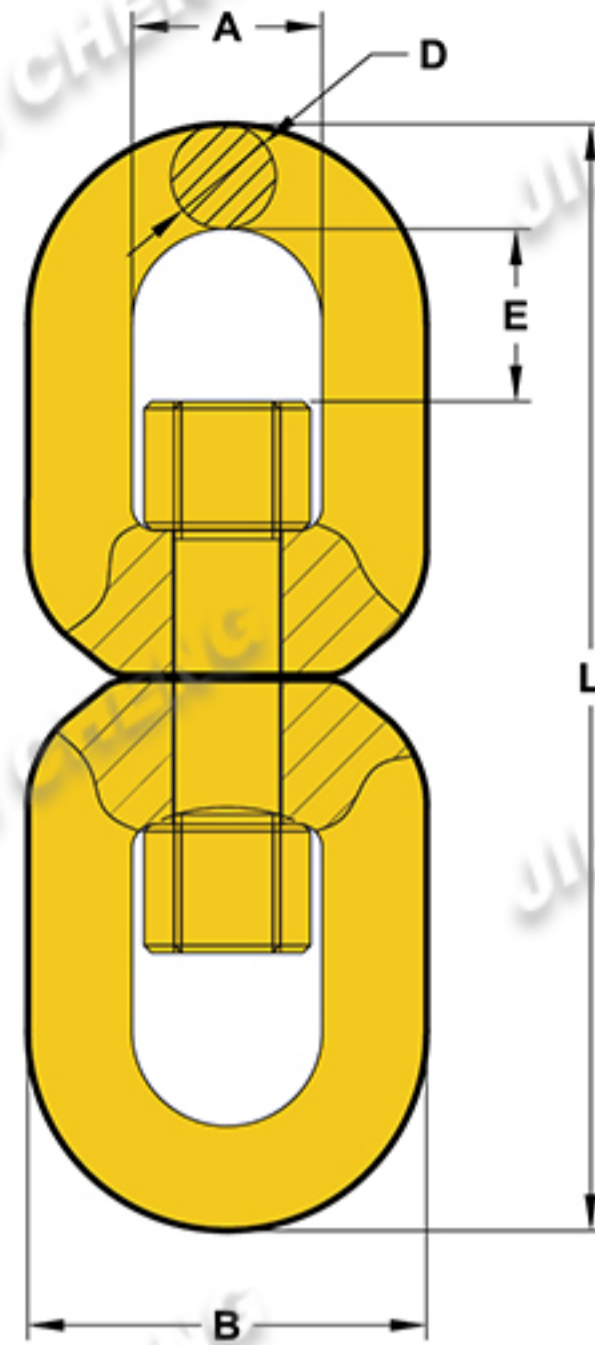


Item No.	Size (mm)	Working Load Limit (t)	Weight Each (kg)	Dimensions(mm)		
				A	B	Φ
JCH298	8	0.3	0.15	30	22	8
JCH299	10	0.7	0.25	38	29	10
JCH300	12	1.2	0.4	40	32	12
JCH301	14	2	0.6	46	36	14
JCH302	16	3	0.85	50	40	16
JCH303	18	3.5	1.2	55	46	18
JCH304	22	5	2	70	55	22
JCH305	24	6	3	80	64	24



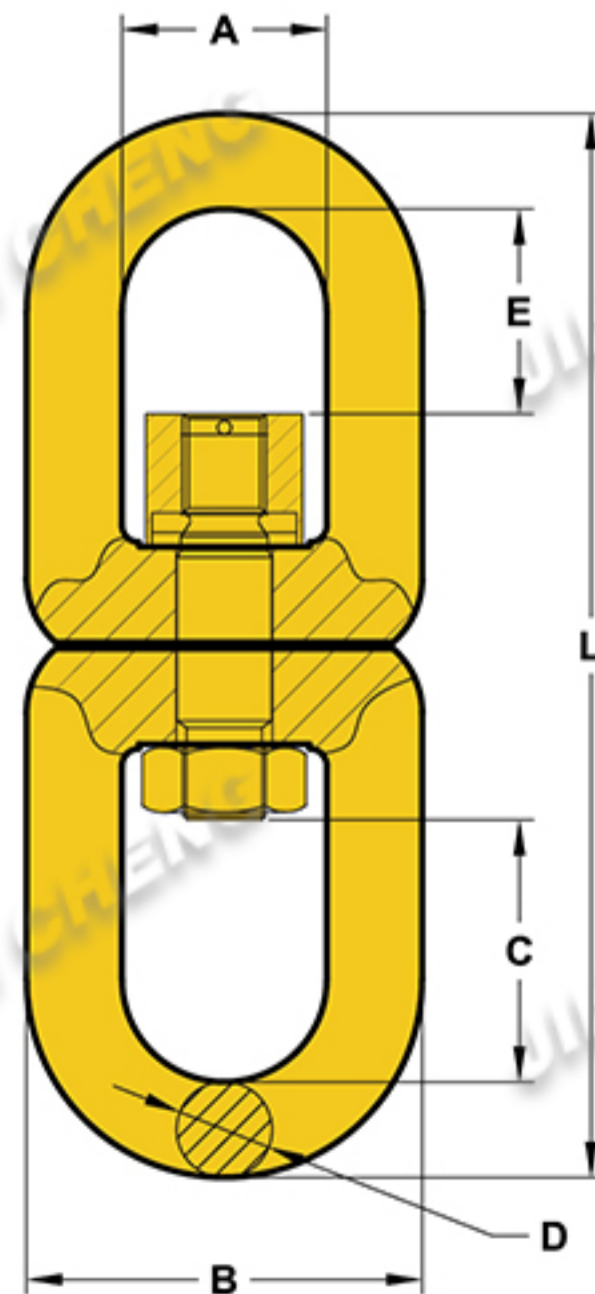
Item No.	Size (mm)	Working Load Limit (t)	Weight Each (kg)	Dimensions(mm)		
				A	B	Φ
JCH306	12	1.5	0.3	40	32	12
JCH307	14	2.5	0.45	45	38	14
JCH308	16	3	0.65	50	40	16
JCH309	18	3.5	0.85	56	42	18
JCH310	22	5	1.5	63	46	22
JCH311	24	6	2	68	50	24
JCH312	28	8	3	78	56	28

G80 SWIVEL



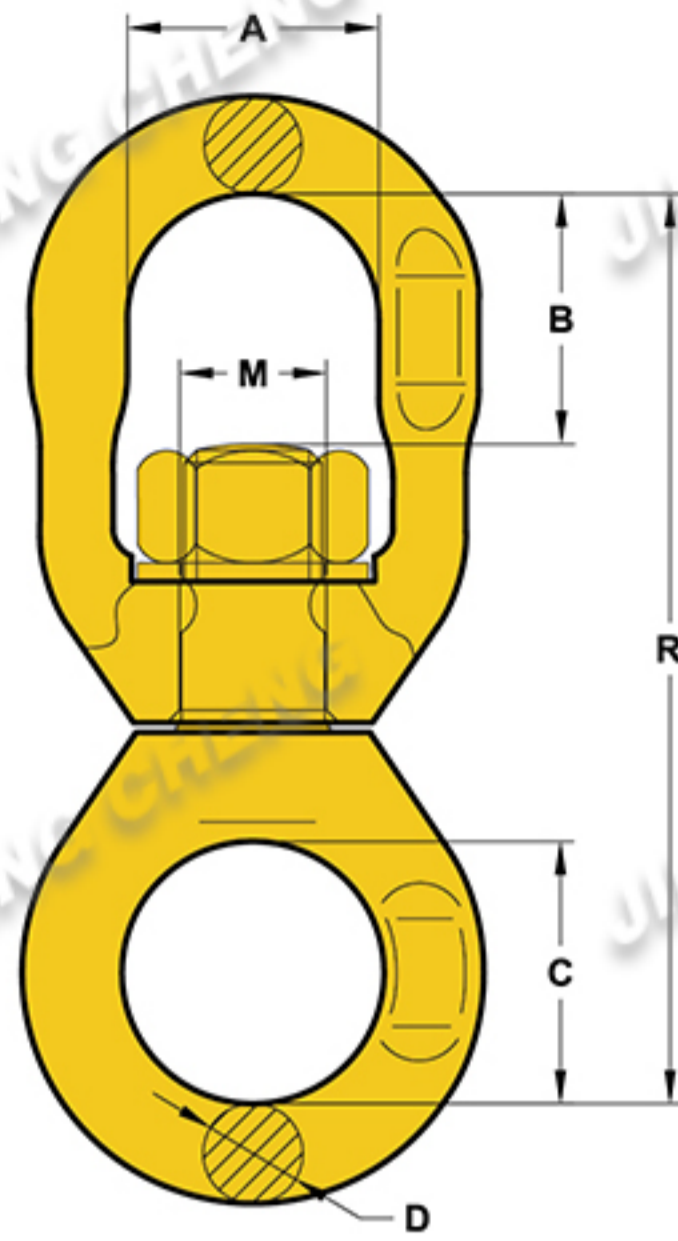
Item No.	Size (in)	Weight Each (kg)	Working Load Limit (t)	Breaking Load Limit (t)	Dimensions(mm)				
					A ± 1.2	B ± 1.5	E ± 1.5	L ± 3	D ± 1
JCH313	1-1/2	13.55	17	85	72	148	61	435	37
JCH314	1-3/4	15.95	25	125	80	168	68	464	43

G80 SWIVEL WITH BEARING



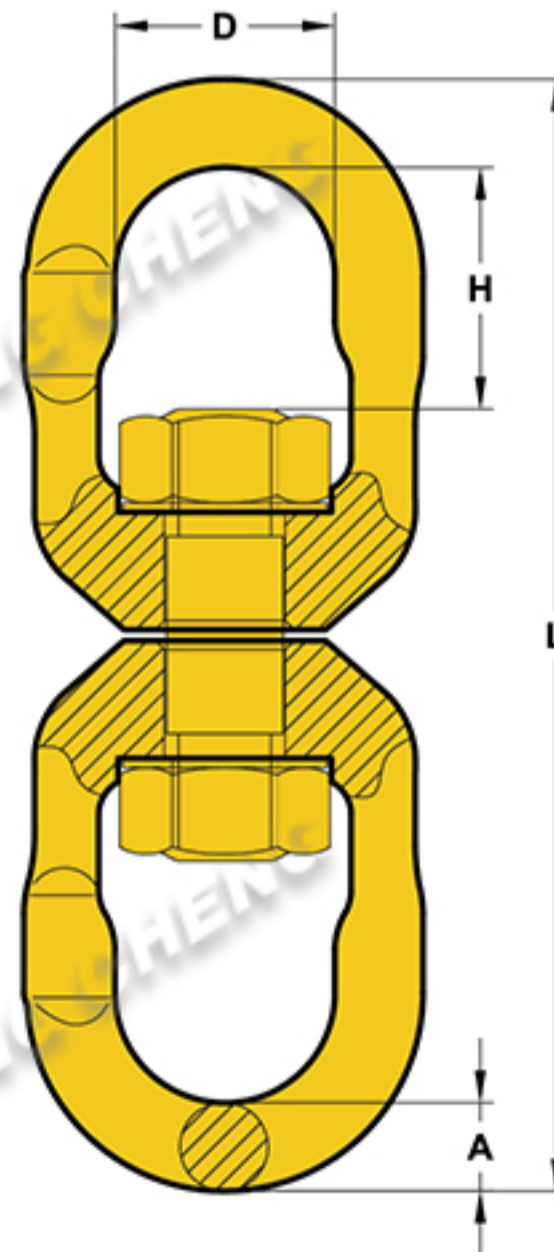
Item No.	Size	Weight Each (kg)	Working Load Limit (t)	Breaking Load Limit (t)	Dimensions(mm)					
					A ± 1	B ± 2	E ± 1.5	C ± 1.5	D ± 1	L ± 2
JCH315	10	1.85	3.15	12.6	38	76	34.5	51	19	209
JCH316	13	5.5	5.3	21.2	60	116	60	77	28	312

G80 EYE SWIVEL



Item No.	Size	Weight Each (kg)	Working Load Limit (t)	Breaking Load Limit (t)	Dimensions(mm)					
					A ± 1.2	B ± 1.5	C ± 1	D ± 1	M	R ± 2.5
JCH317	10	1.35	3.15	12.6	42	40	42	16	22	146
JCH318	13	2.02	5.3	21.2	49	52.5	48	19	24	175
JCH319	16	4.1	8.0	32	60	63	60	23	30	215
JCH320	19	5.83	12.5	50	71	78	72	27	36	256

G80 REGULAR SWIVEL



Item No.	Size	Weight Each (kg)	Working Load Limit (t)	Breaking Load Limit (t)	Dimensions(mm)			
					A ± 1	D ± 1	H ± 1.5	L ± 2
JCH321	7/8	0.6	2	8	12.5	35.5	28.5	164
JCH322	10	1.5	3.15	12.6	15	42	34.5	194.5
JCH323	13	1.75	5.3	21.2	21.2	50	43.5	216.5
JCH324	16	4.52	8	32	32	61	56	289