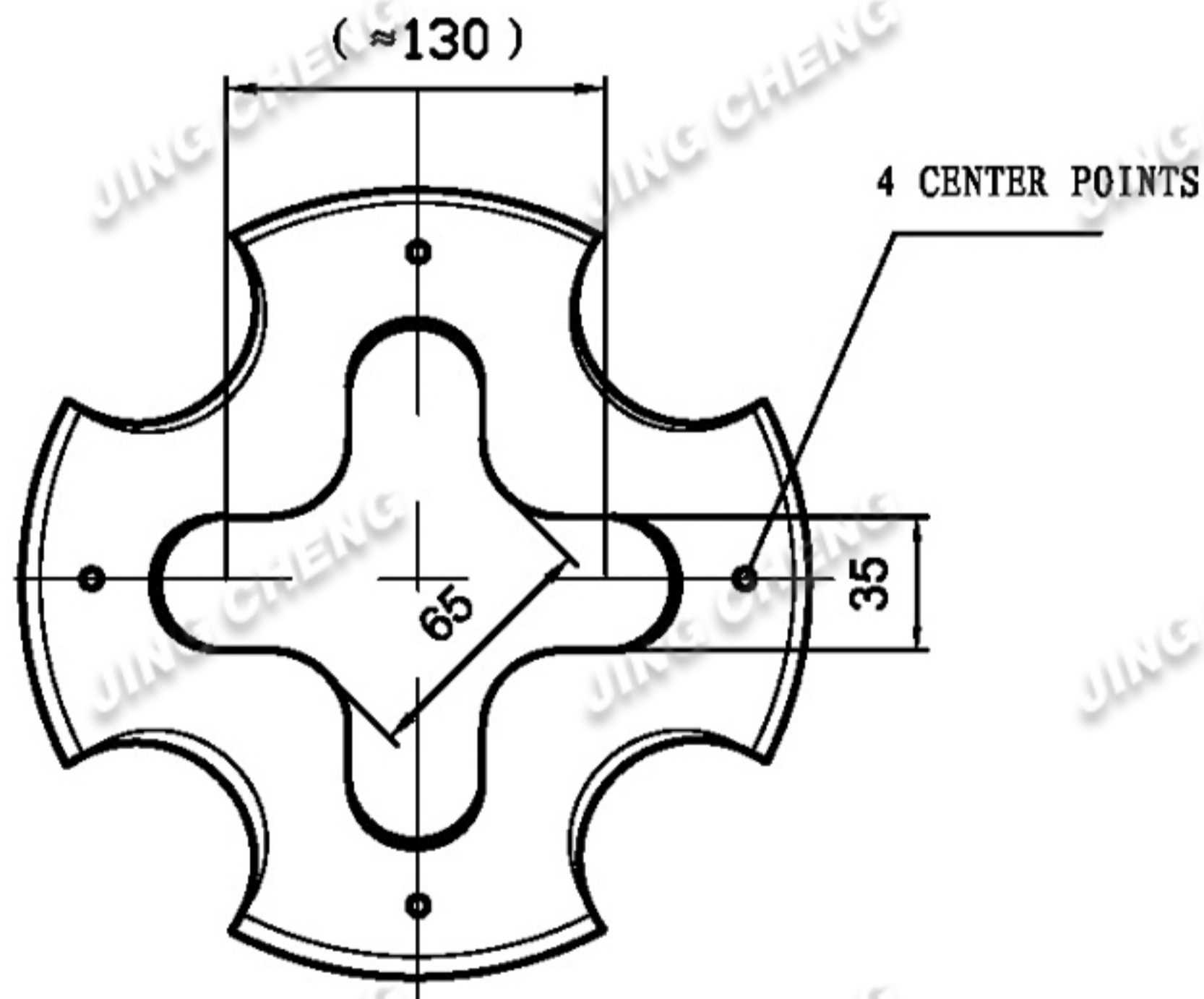
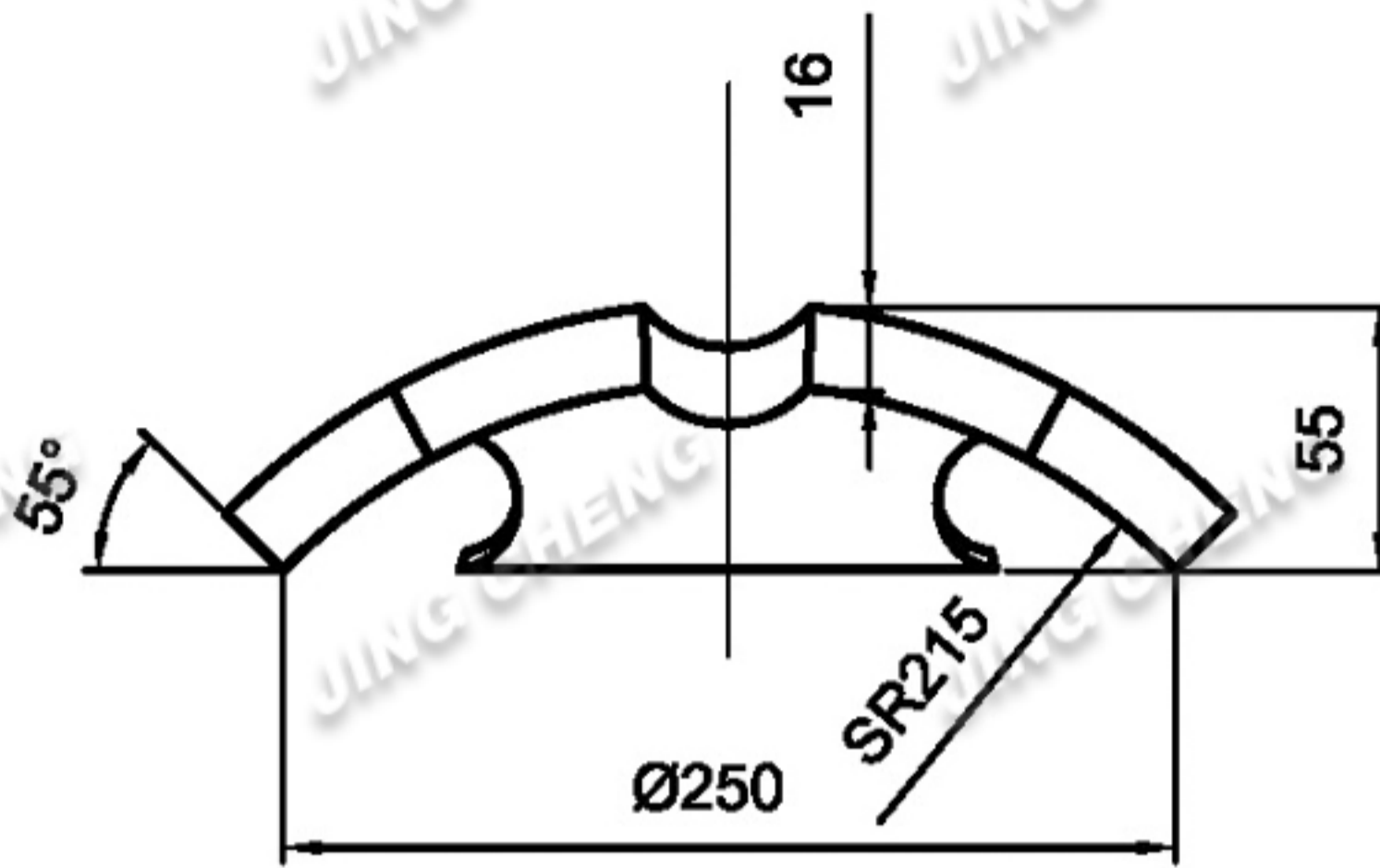


Raised Cloverleaf type FL-1



Specifications:

- Classification: All items are approved by major classification societies
- Materials: Mild steel
- Finish: Primer
- Remark: Other dimensions, materials and finish upon request

MODEL NO.	B.L.	WEIGHT
FL-1	200KN	4.7kg