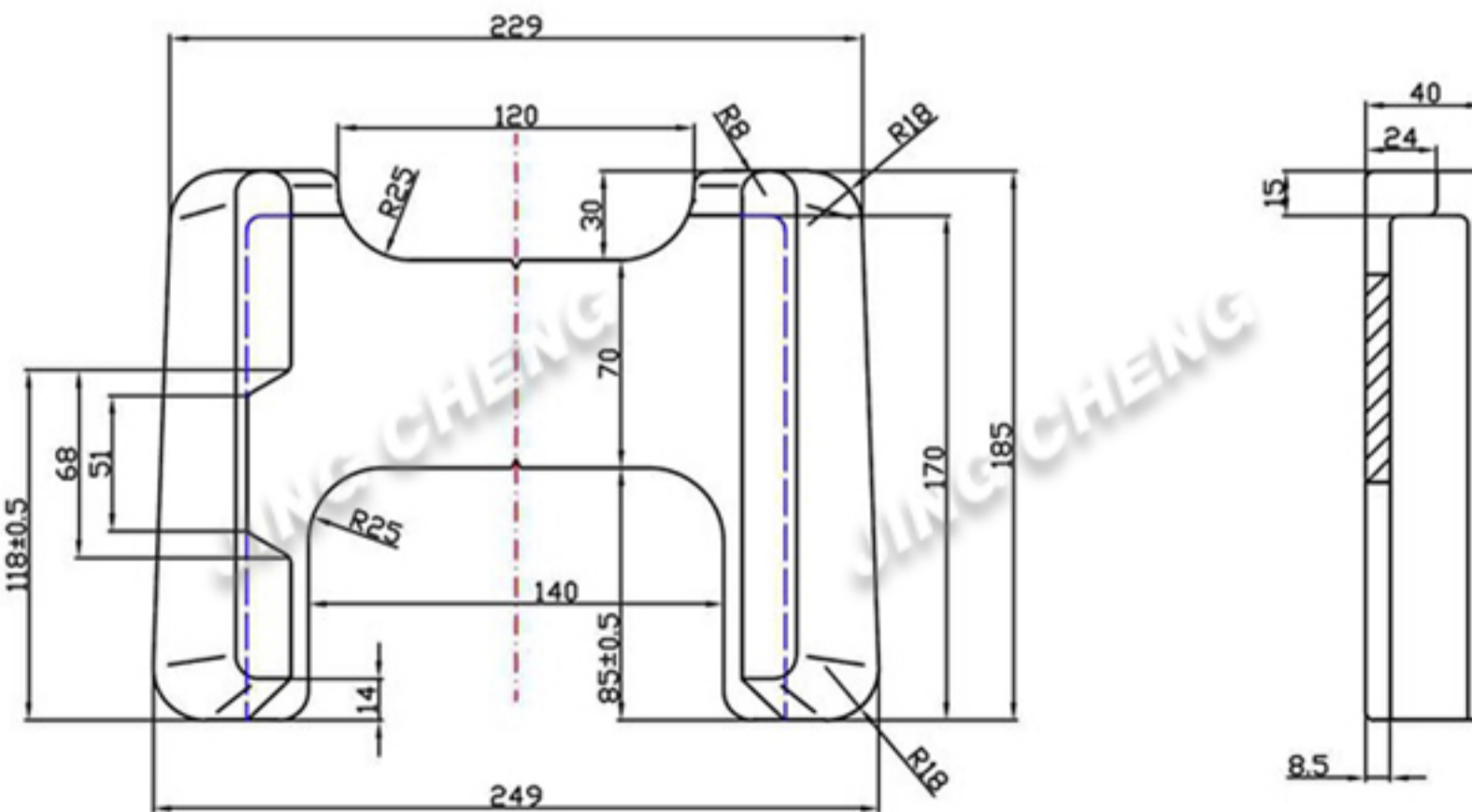
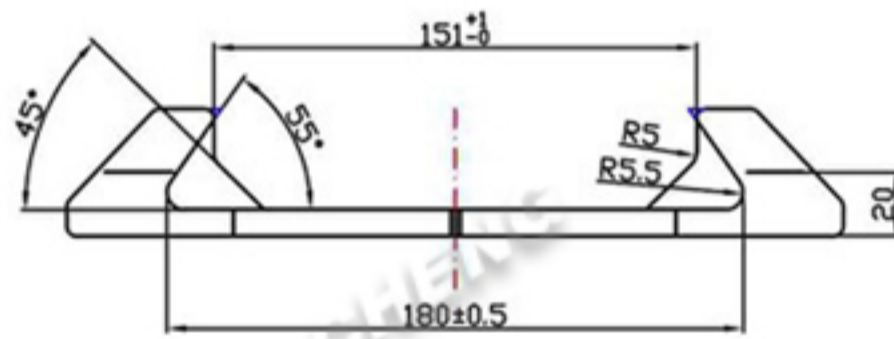


TYPE	H	WEIGHT
DF-45-1	36	4.1kg



TYPE	H	WEIGHT
DF-55-1	36	4.2kg