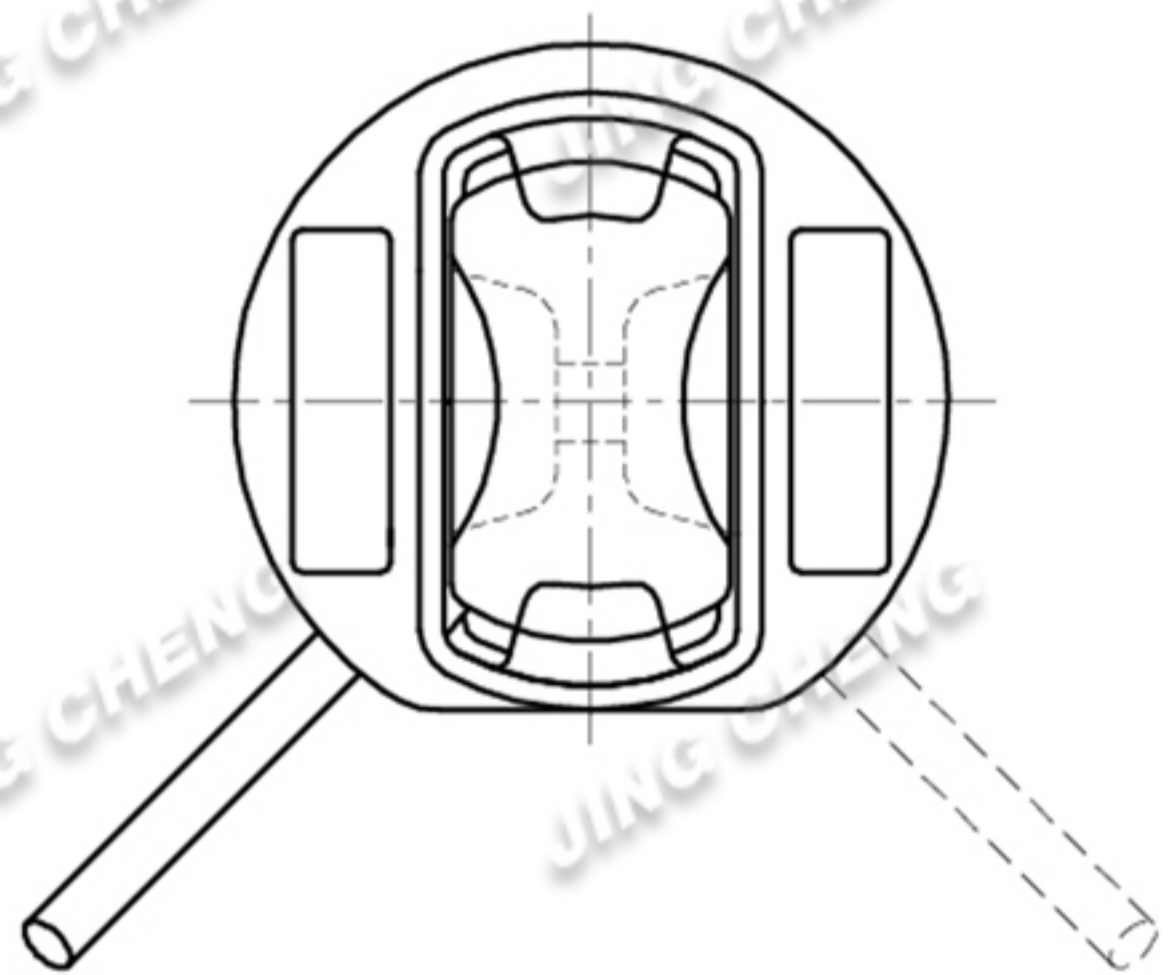


Left Locked



Right Locked

Material: Heat treatable steel

Finish: Hot dip galvanised

Weight: 5.5kg

M.B.L:Tension: 500KN

M.B.L:Shear: 420KN

M.B.L:Compression:2000KN