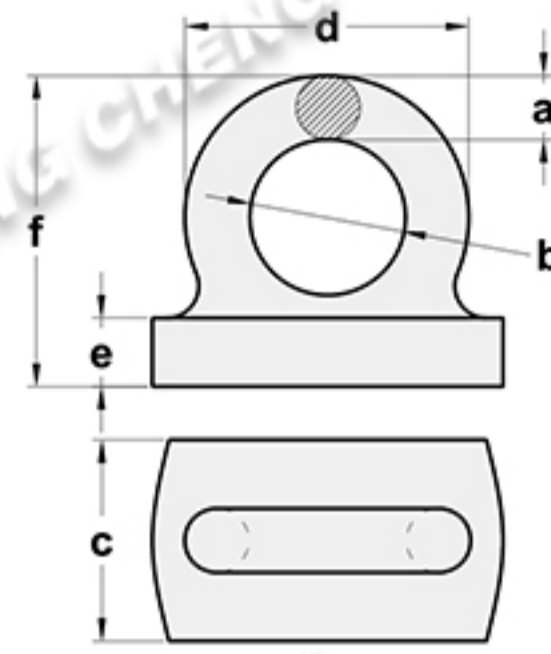
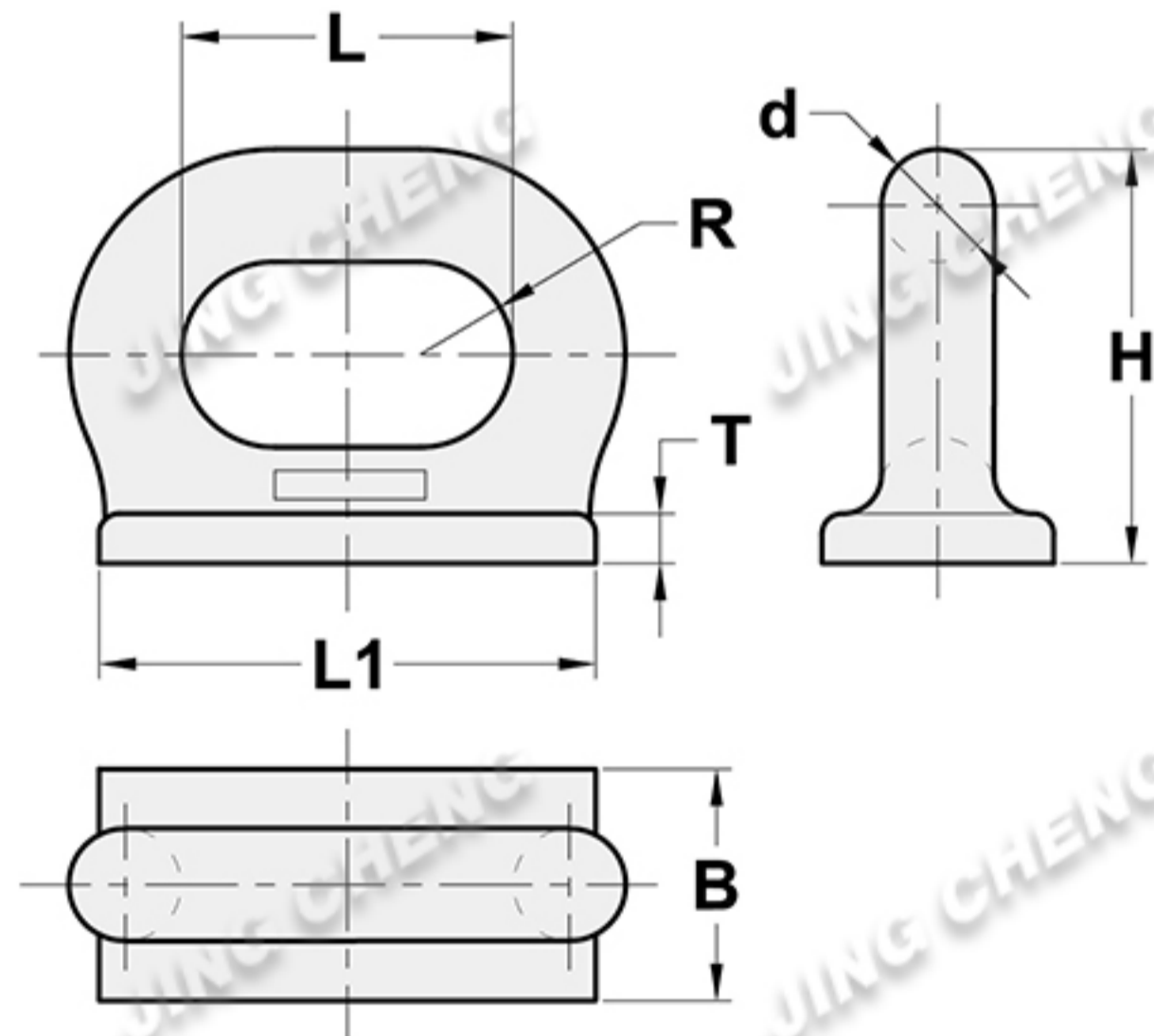


RECTANGULAR BASE EYE PLATES



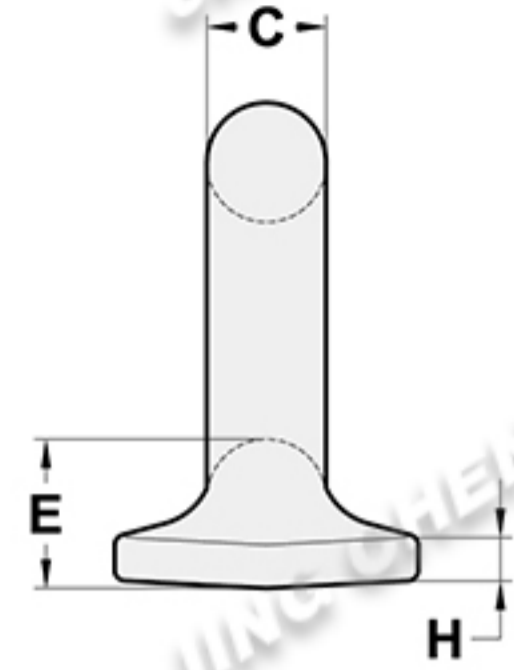
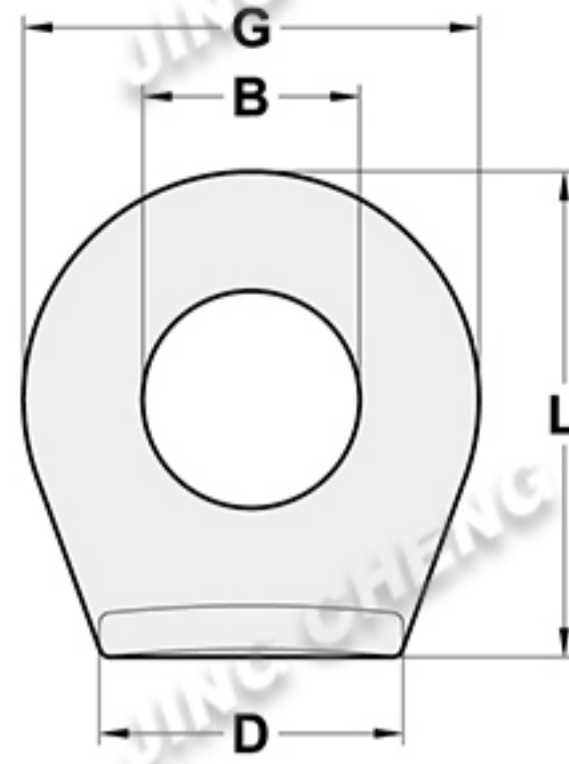
Item No.	Diameter Size a (in.)	Proof Load (t)	Weight Each (kg)	Dimensions (mm)					
				a	b	c	d	e	f
JCR451	3/8	2.00	0.14	10	20	25	45	5	38
JCR452	1/2	3.50	0.33	12	25	35	60	8	50
JCR453	5/8	5.50	0.53	16	32	45	70	10	64
JCR454	3/4	7.50	0.77	19	38	50	85	12	76
JCR455	7/8	9.60	1.27	22	42	60	102	13	89
JCR456	1	13.00	2.00	25	50	70	115	16	100
JCR457	1-1/8	15.75	2.90	28	57	76	130	18	114
JCR458	1-1/4	20.00	3.44	32	64	85	145	19	128
JCR459	1-3/8	23.63	5.11	35	70	95	159	21	140
JCR460	1-1/2	29.00	6.58	38	76	100	170	22	152
JCR461	1-3/4	39.00	9.99	44	88	120	200	26	178
JCR462	2	50.00	14.98	50	100	140	230	30	203

PAD EYES



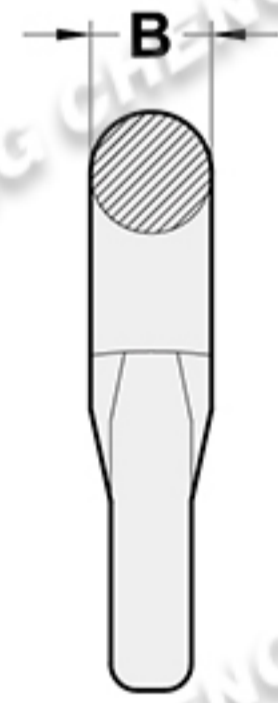
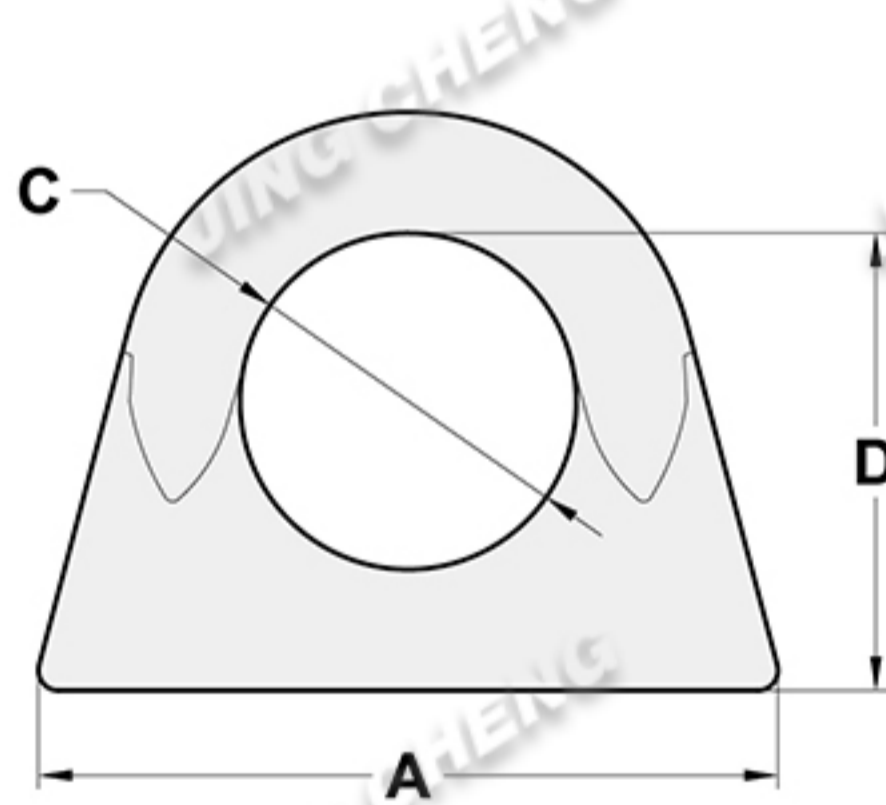
Item No.	Size	Safe Working Load (kn)	Breaking Load (kn)	Dimensions (mm)						
				L	d	T	L1	B	H	R
JCR463	D3.0	29.4	117.6	85	28	15	130	60	106	25
JCR464	D5.0	49	196	100	34	15	150	70	125	28
JCR465	D7.5	73.5	294	115	42	20	180	100	147	30
JCR466	D10.0	98	392	135	50	20	210	120	162	32

US TYPE PAD EYE S264



Item No.	Size	Weight Per 100 (lbs.)	Dimensions (in.)						
			B	C	D	E	G	H	L
JCR467	0	2.8	0.25	0.19	0.63	0.31	0.63	0.09	0.75
JCR468	1	6.5	0.38	0.25	0.88	0.41	0.88	0.13	1.03
JCR469	1-1/2	10.4	0.63	0.25	1	0.44	1.13	0.16	1.31
JCR470	2	21.1	0.75	0.38	1.06	0.5	1.5	0.19	1.63
JCR471	4	52.2	1	0.56	1.44	0.78	2.13	0.22	2.34
JCR472	5	82.5	1.25	0.69	1.75	0.81	2.63	0.25	2.75

EN13155 PAD EYES



Item No.	Size	Working Load Limit (t)	Minimum Breaking Limit (kN)	Weight Each (kg)	Dimensions (mm)				
					A	B	C	D	E
JCR473	0.2T	0.2	7.8	0.07	55	9	23	34	6
JCR474	0.5T	0.5	19.6	0.13	68	12	31	42	6
JCR475	1T	1	39.2	0.22	85	14	41	54	8
JCR476	2T	2	78.4	0.44	105	19	47	63	10
JCR477	4T	4	156.9	1.1	148	25	65	77	14