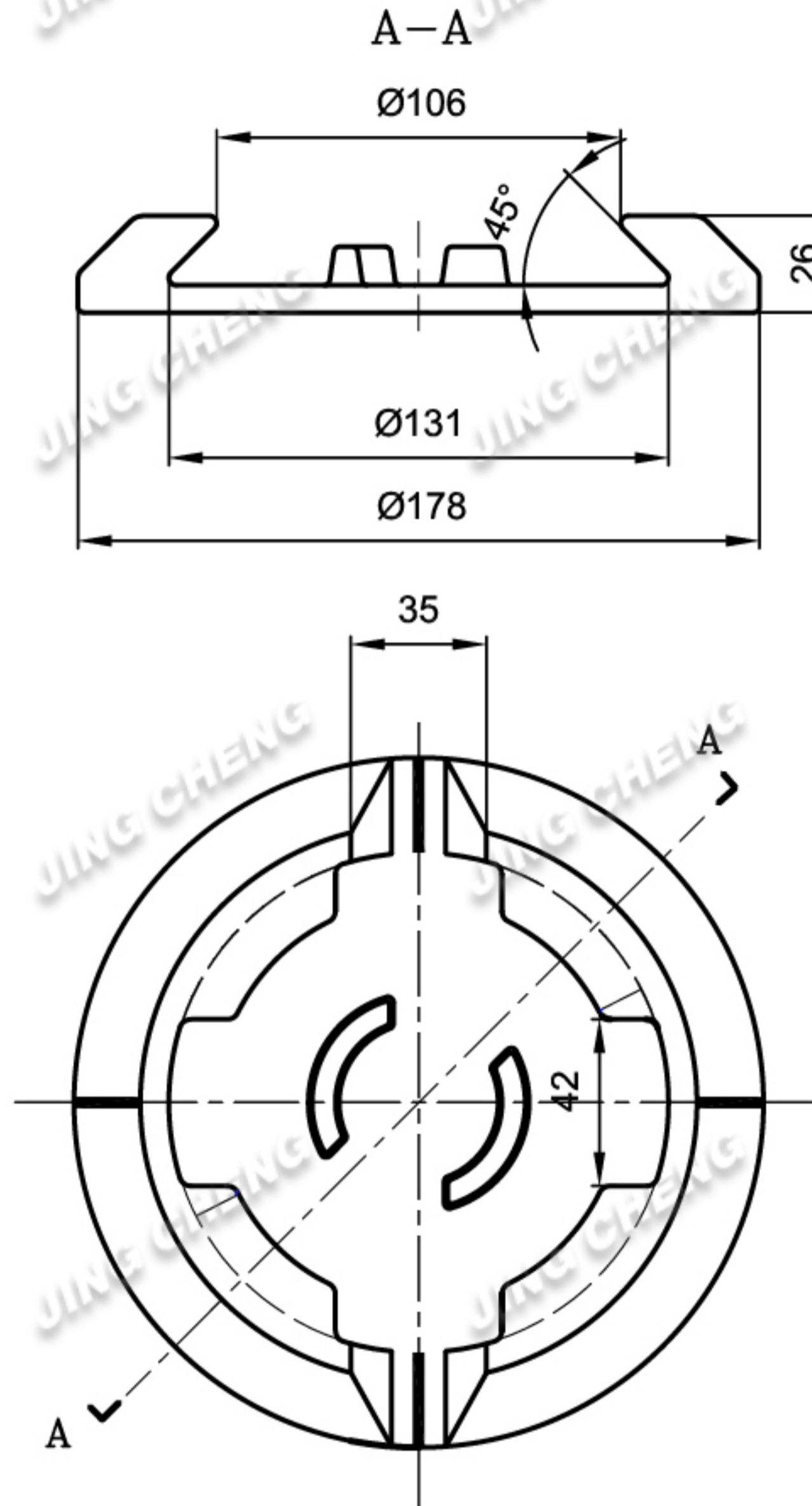


## Breech type RFB-1



### Specifications:

Classification: All items are approved by major classification societies

Materials: High tensile steel

Finish: Primer

Remark: Other lengths, materials and finish upon request

MODEL NO.	B.L.	WEIGHT
RFB-1	353KN	3kg