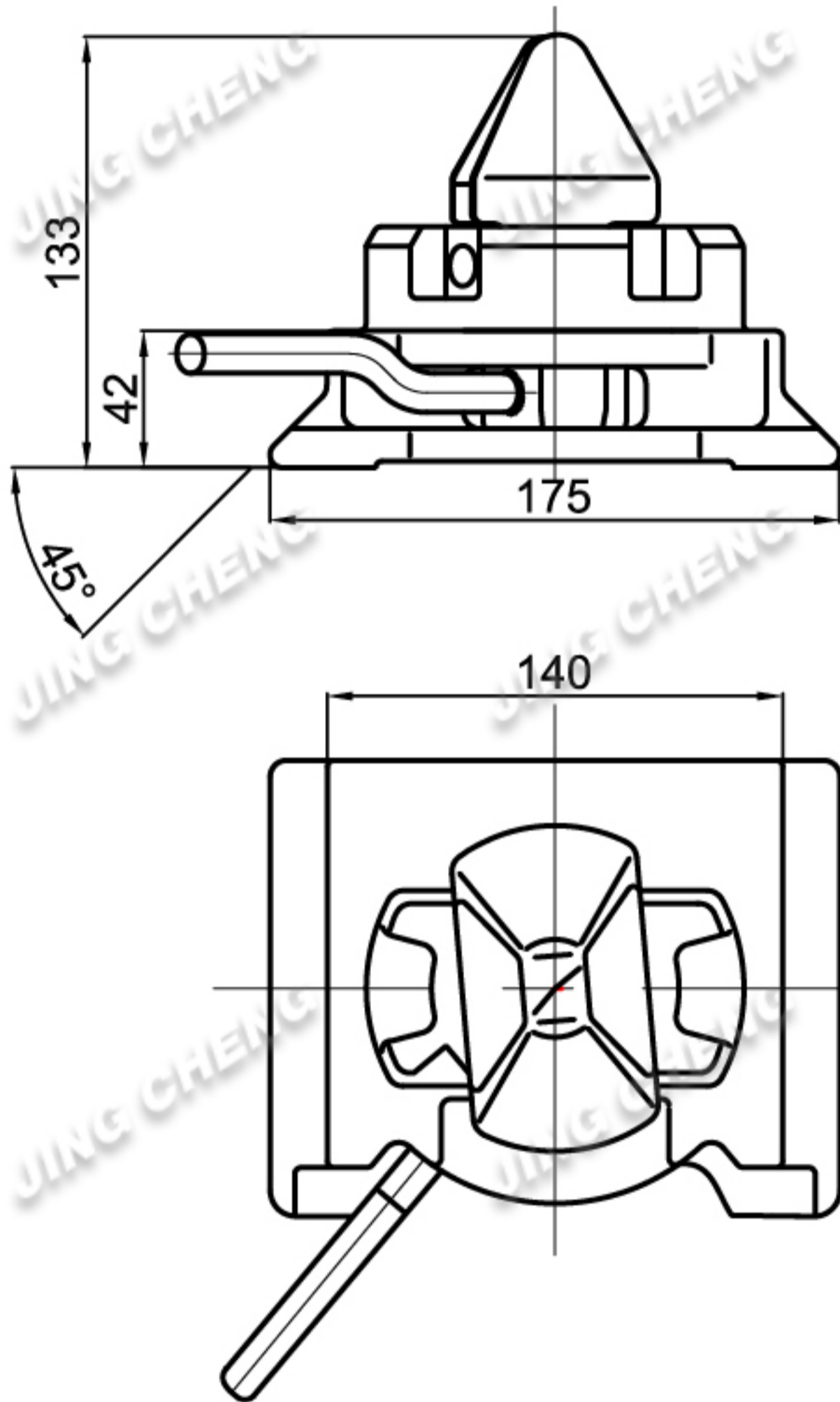
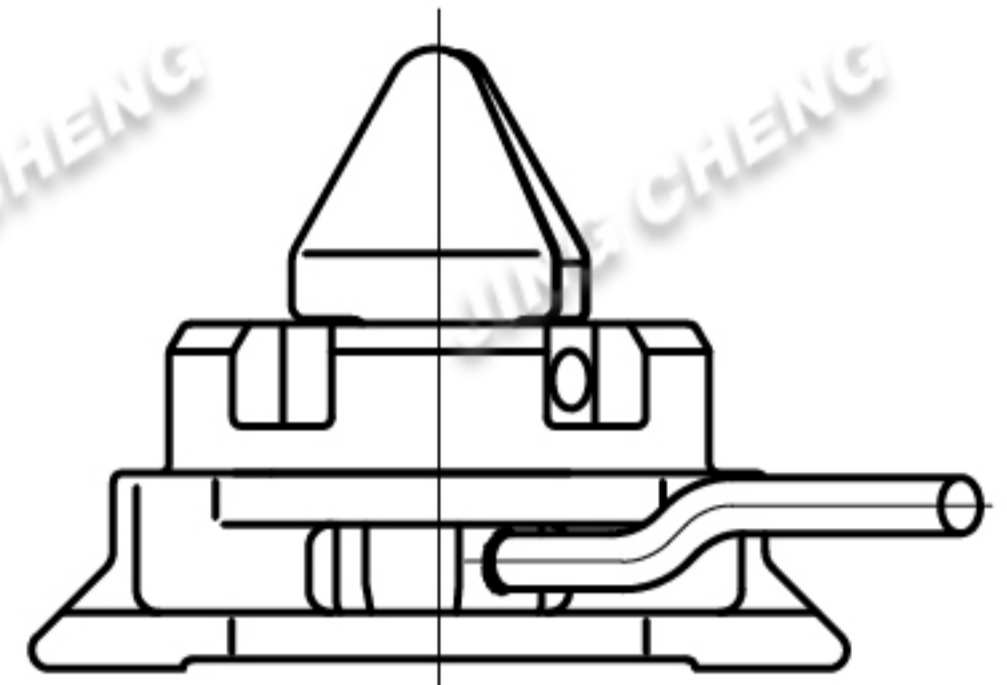


Left handle TL-45T



Right handle TL-45TR



MODEL NO.	B.L.	WEIGHT
TL-45T	500KN	6.5kg
TL-45TR		