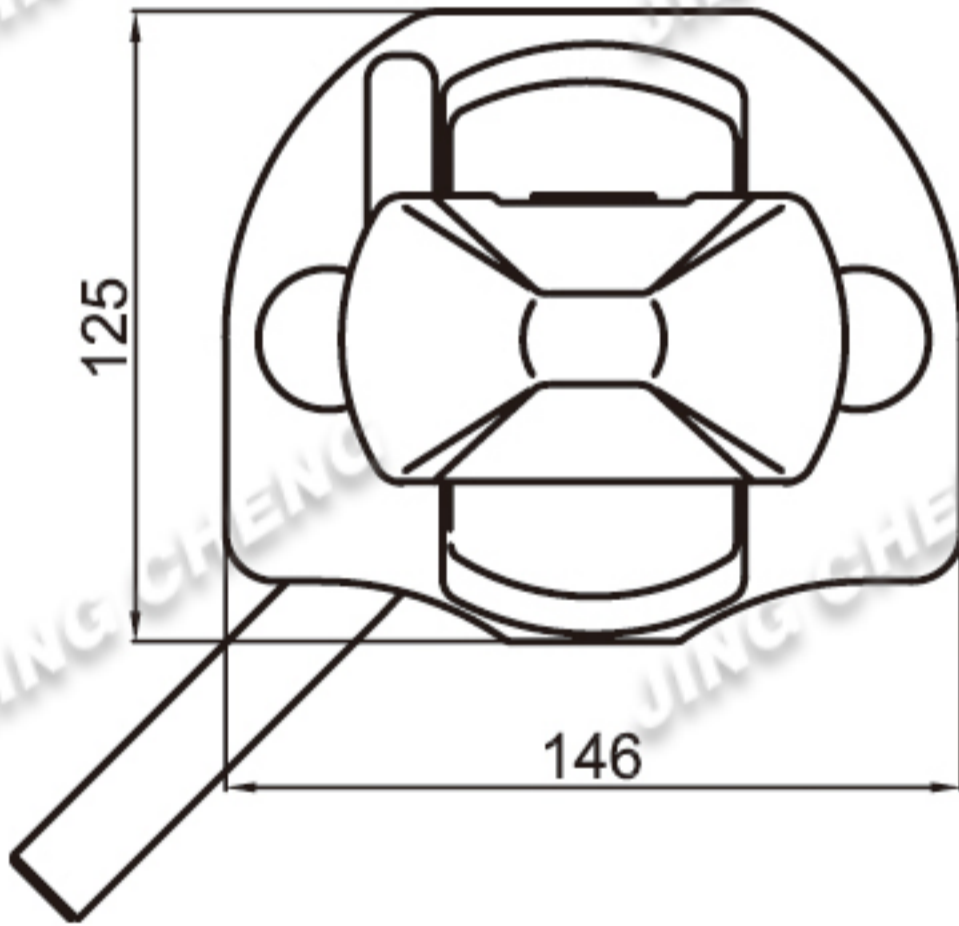
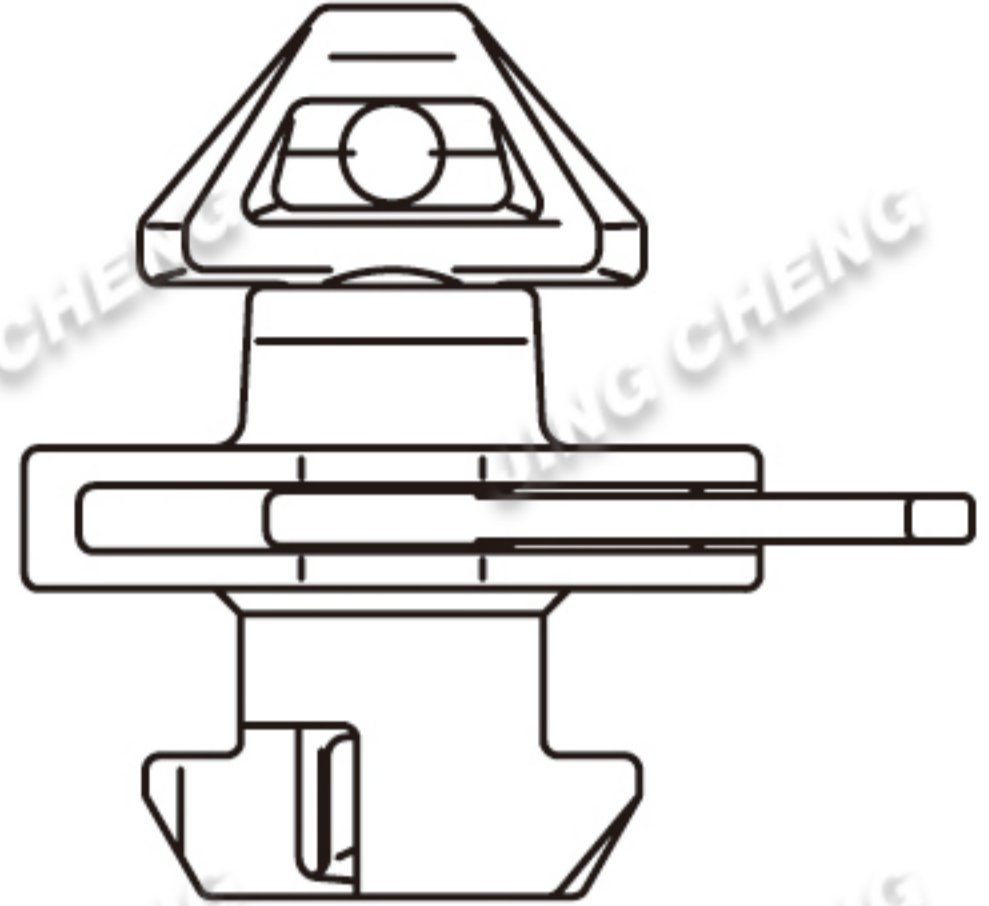
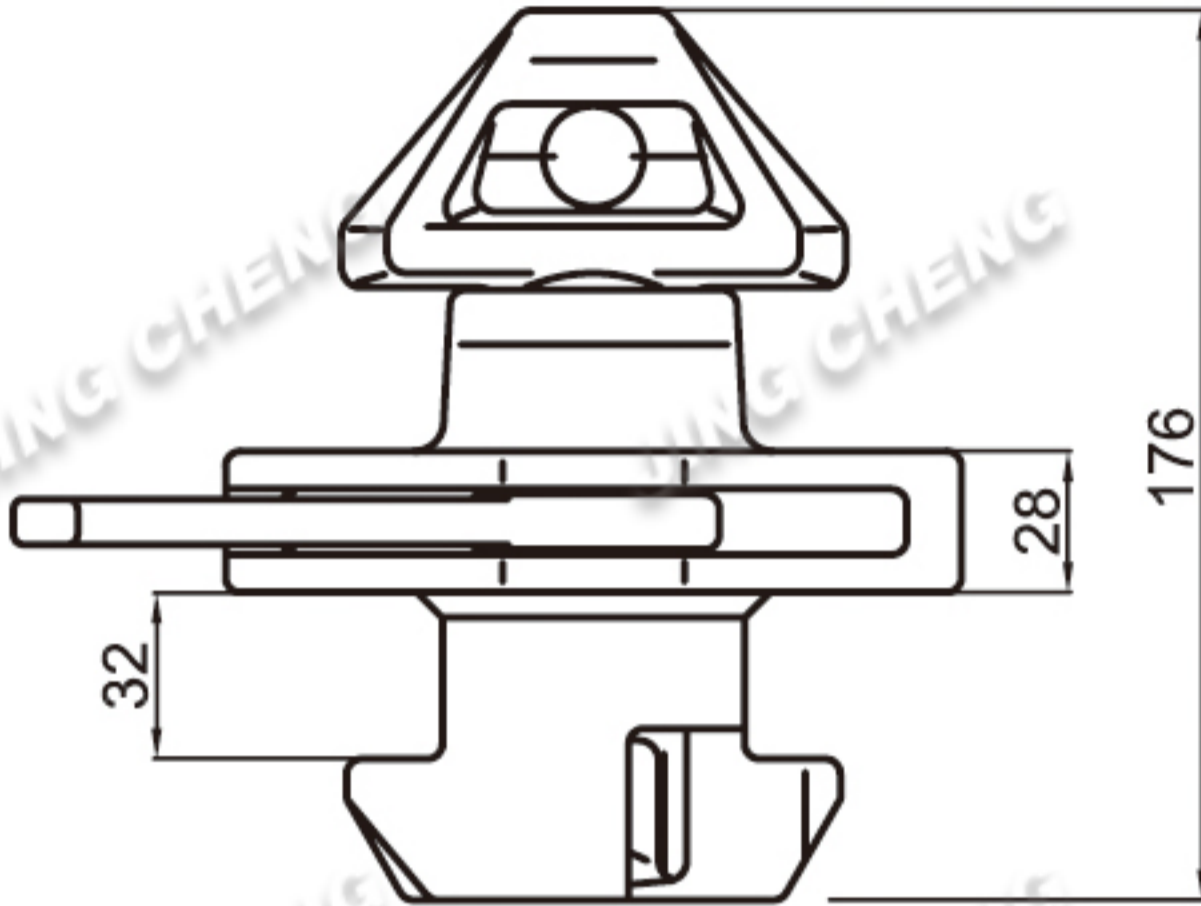


Left handle TL-3

Right handle TL-3R



Specifications:

Classification: All items are approved by major classification societies

Materials: Cast & forged steel

Finish: Hot dipped galvanized

Remark: Other dimensions, materials and finish upon request

MODEL NO.	B.L.	WEIGHT
TL-3	500KN	6kg
TL-3R		