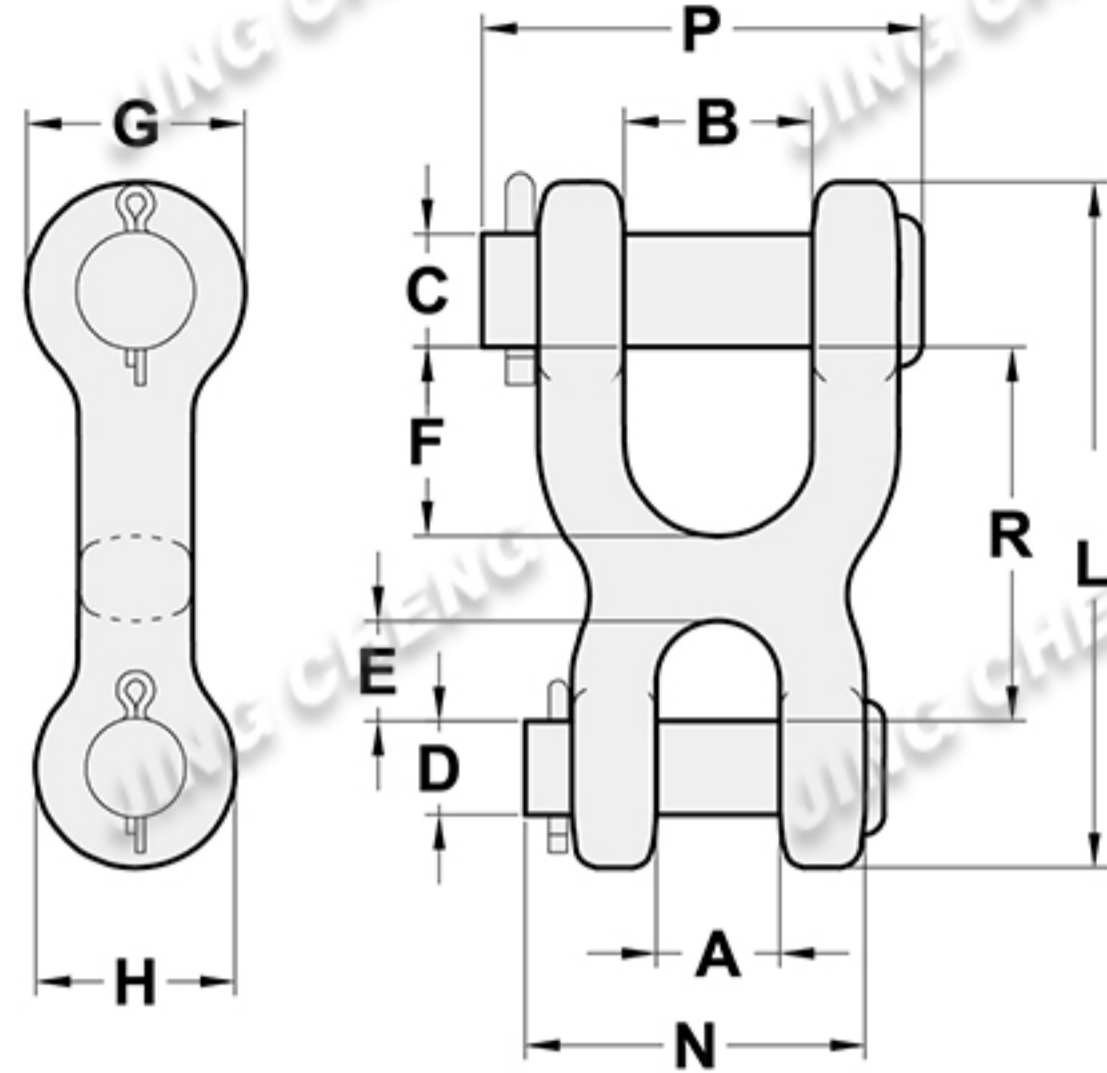
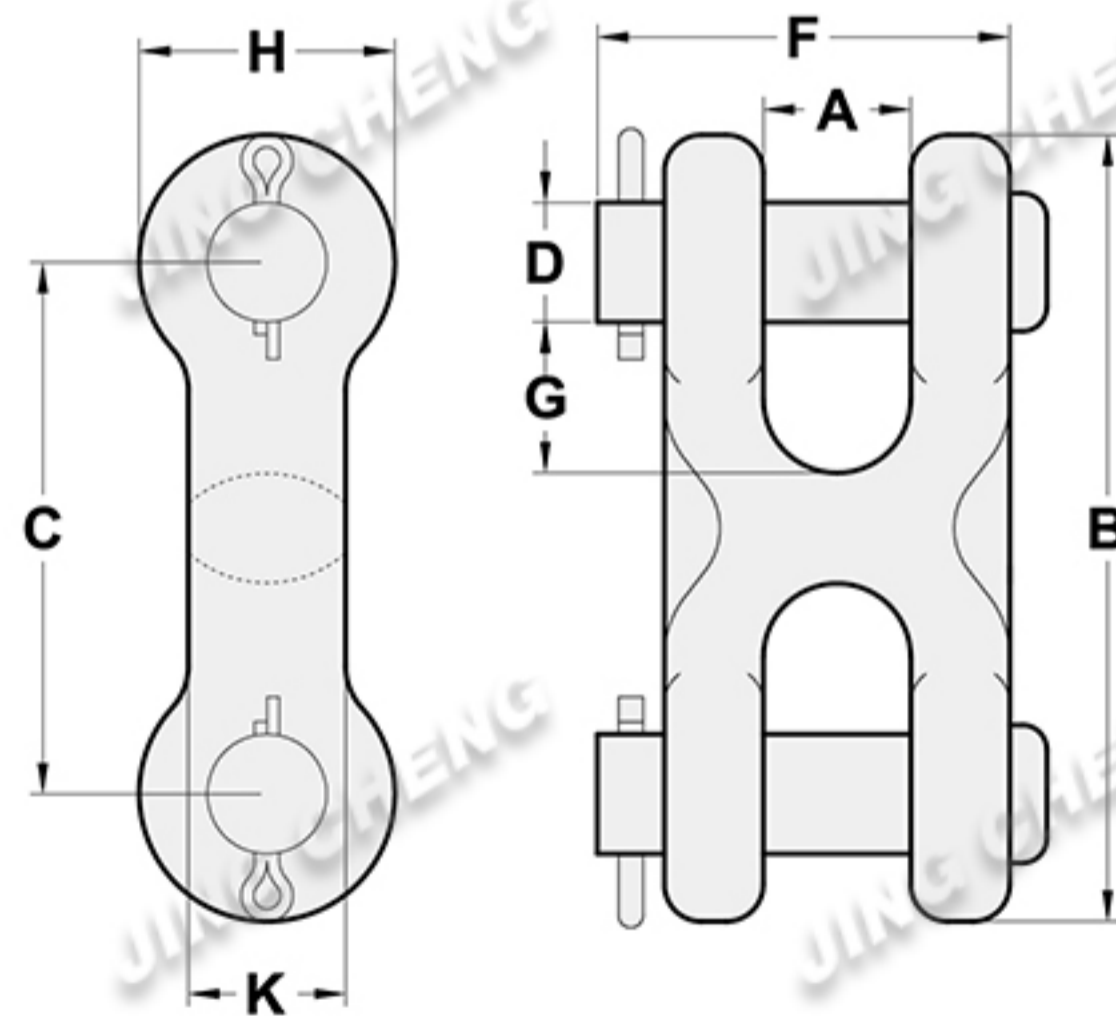


S247 DOUBLE CLEVIS LINK



Item No.	Chain Size (in.)	Working Load Limit (lbs.)	Weight Each (kg)	Dimensions (in.)											
				A	B	C	D	E	F	G	H	L	N	P	R
JCR279	1/4	2600	0.38	0.50	0.75	0.50	0.31	0.38	0.75	1.00	0.81	2.81	1.38	1.66	1.50
JCR280	5/16-3/8	5400	0.81	0.56	1.00	0.63	0.44	0.47	1.00	1.19	1.00	3.53	1.75	2.25	1.91
JCR281	7/16	7200	1.25	0.69	1.13	0.69	0.56	0.59	1.09	1.31	1.19	4.06	2.00	2.50	2.19
JCR282	1/2	9200	1.56	0.81	1.25	0.75	0.63	0.68	1.25	1.44	1.31	4.53	2.25	2.75	2.47

S249 TWIN CLEVIS LINK



Item No.	Chain Size (in.)	Working Load Limit (lbs.)	Weight Each (kg)	Dimensions (in.)											
				A	B	C	D	E	F	G	H	L	N	P	R
JCR283	1/4-5/16	2600	0.38	0.50	0.75	0.50	0.31	0.38	0.75	1.00	0.81	2.81	1.38	1.66	1.50
JCR284	3/8	5400	0.81	0.56	1.00	0.63	0.44	0.47	1.00	1.19	1.00	3.53	1.75	2.25	1.91
JCR285	7/16-1/2	7200	1.25	0.69	1.13	0.69	0.56	0.59	1.09	1.31	1.19	4.06	2.00	2.50	2.19