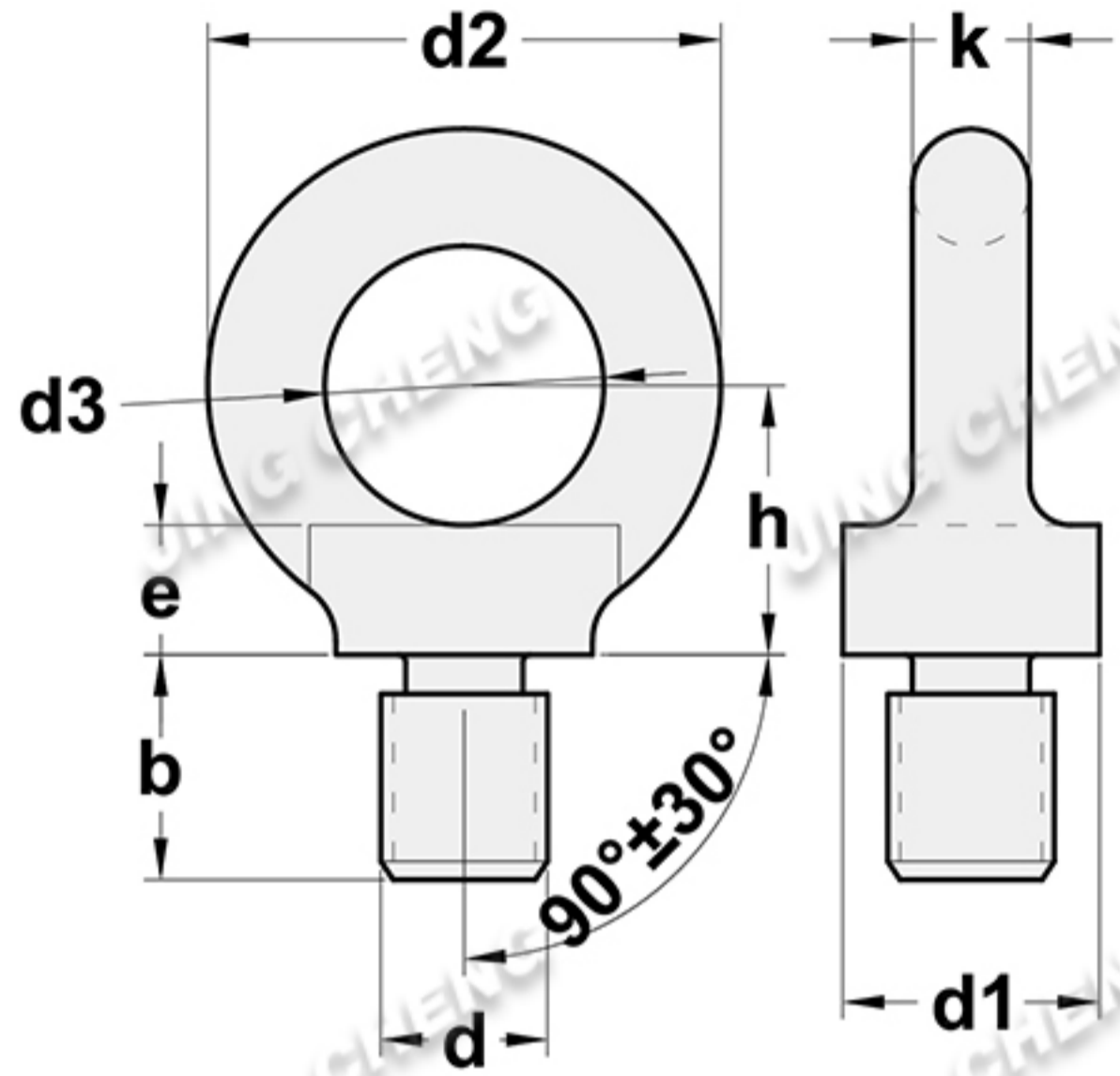
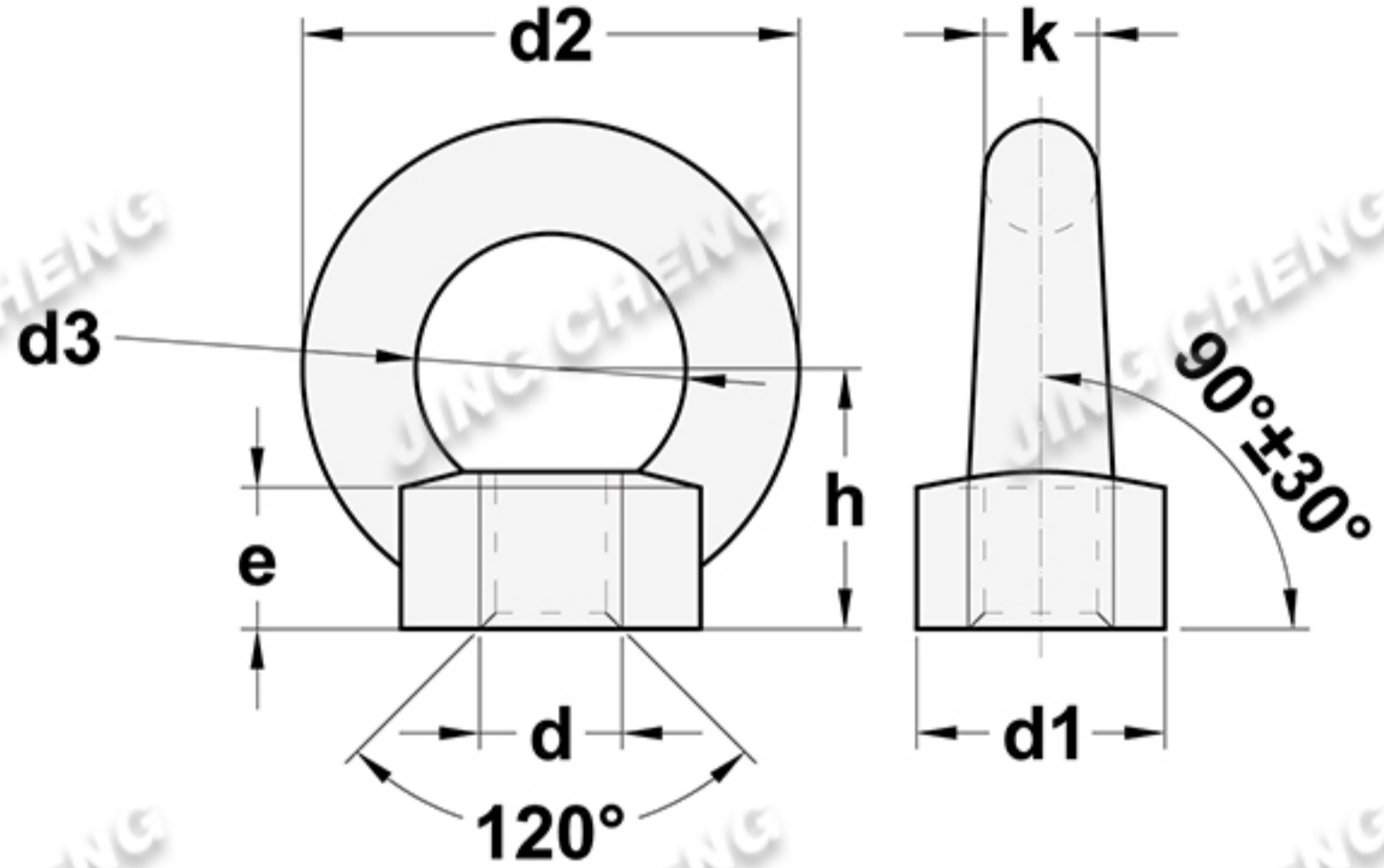


## DIN580 EYE BOLT



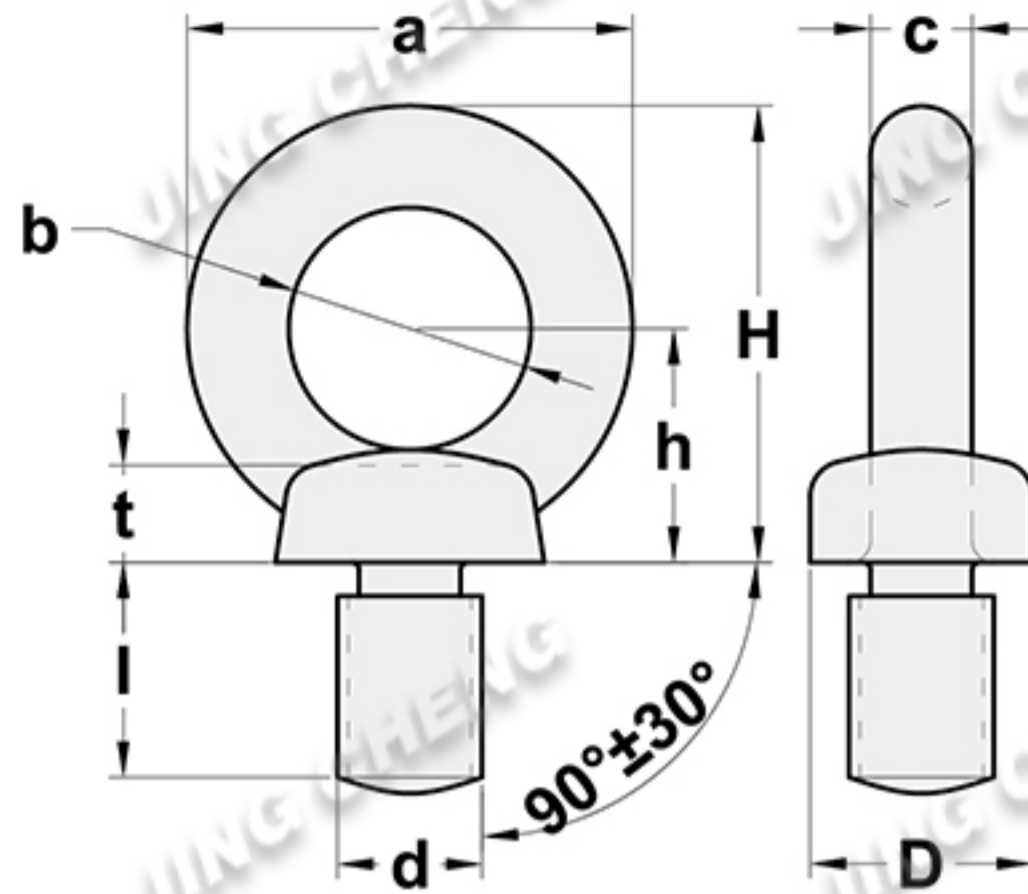
| Item No. | Size (d) | Working Load Limit (t) | Weight Per 100 (kg) | Dimensions (mm) |     |     |      |    |      |    |
|----------|----------|------------------------|---------------------|-----------------|-----|-----|------|----|------|----|
|          |          |                        |                     | d1              | d2  | d3  | b    | e  | h    | k  |
| JCR311   | M6       | 0.08                   | 5                   | 20              | 36  | 20  | 13   | 6  | 18   | 8  |
| JCR312   | M8       | 0.14                   | 6                   | 20              | 36  | 20  | 13   | 6  | 18   | 8  |
| JCR313   | M10      | 0.23                   | 11                  | 25              | 45  | 25  | 17   | 8  | 22.5 | 10 |
| JCR314   | M12      | 0.34                   | 18                  | 30              | 54  | 30  | 20.5 | 10 | 26   | 12 |
| JCR315   | M14      | 0.49                   | 28                  | 35              | 63  | 35  | 27   | 12 | 30.5 | 14 |
| JCR316   | M16      | 0.7                    | 28                  | 35              | 63  | 35  | 27   | 12 | 30.5 | 14 |
| JCR317   | M18      | 0.93                   | 45                  | 40              | 72  | 40  | 30   | 14 | 35   | 16 |
| JCR318   | M20      | 1.2                    | 45                  | 40              | 72  | 40  | 30   | 14 | 35   | 16 |
| JCR319   | M22      | 1.5                    | 67                  | 45              | 81  | 45  | 35   | 16 | 40   | 18 |
| JCR320   | M24      | 1.8                    | 87                  | 50              | 90  | 50  | 36   | 18 | 45   | 20 |
| JCR321   | M27      | 2.5                    | 88                  | 50              | 90  | 50  | 36   | 18 | 45   | 20 |
| JCR322   | M30      | 3.6                    | 166                 | 65              | 108 | 60  | 45   | 22 | 55   | 24 |
| JCR323   | M33      | 4.3                    | 172                 | 65              | 108 | 60  | 45   | 22 | 55   | 24 |
| JCR324   | M36      | 5.1                    | 265                 | 75              | 126 | 70  | 54   | 26 | 65   | 28 |
| JCR325   | M39      | 6.1                    | 280                 | 75              | 126 | 70  | 54   | 26 | 65   | 28 |
| JCR326   | M42      | 7.0                    | 403                 | 85              | 144 | 80  | 63   | 30 | 75   | 32 |
| JCR327   | M45      | 8.0                    | 425                 | 85              | 144 | 80  | 63   | 30 | 75   | 32 |
| JCR328   | M48      | 8.6                    | 638                 | 100             | 166 | 90  | 68   | 35 | 85   | 38 |
| JCR329   | M52      | 9.9                    | 660                 | 100             | 166 | 90  | 68   | 35 | 85   | 38 |
| JCR330   | M56      | 11.5                   | 880                 | 110             | 184 | 100 | 78   | 38 | 95   | 42 |
| JCR331   | M64      | 16.0                   | 1240                | 120             | 206 | 110 | 90   | 42 | 105  | 48 |
| JCR332   | M72      | 20                     | 23300               | 150             | 260 | 140 | 100  | 50 | 130  | 60 |
| JCR333   | M80      | 28                     | 34200               | 170             | 296 | 160 | 112  | 55 | 150  | 68 |
| JCR334   | M100     | 40                     | 49100               | 190             | 330 | 180 | 130  | 60 | 165  | 75 |

## DIN582 EYE NUT



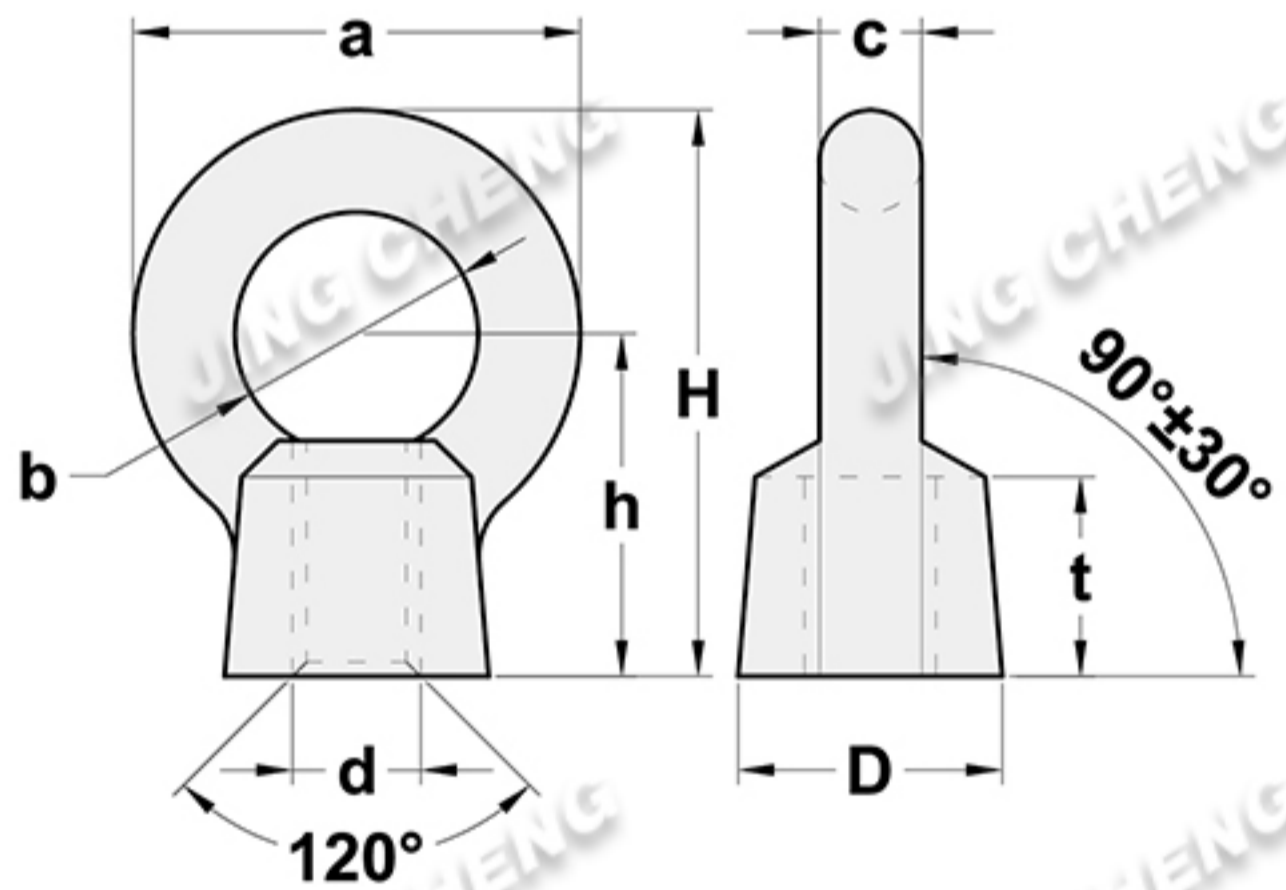
| Item No. | Size (d) | Working Load Limit (t) | Weight Per 100 (kg) | Dimensions (mm) |     |     |     |      |    |
|----------|----------|------------------------|---------------------|-----------------|-----|-----|-----|------|----|
|          |          |                        |                     | d1              | d2  | d3  | e   | h    | k  |
| JCR335   | M6       | 0.08                   | 4.5                 | 20              | 36  | 20  | 8.5 | 18   | 8  |
| JCR336   | M8       | 0.14                   | 5                   | 20              | 36  | 20  | 8.5 | 18   | 8  |
| JCR337   | M10      | 0.23                   | 9                   | 25              | 45  | 25  | 10  | 22.5 | 10 |
| JCR338   | M12      | 0.34                   | 16                  | 30              | 54  | 30  | 11  | 26   | 12 |
| JCR339   | M14      | 0.49                   | 24                  | 35              | 63  | 35  | 13  | 30.5 | 14 |
| JCR340   | M16      | 0.7                    | 24                  | 35              | 63  | 35  | 13  | 30.5 | 14 |
| JCR341   | M18      | 0.93                   | 36                  | 40              | 72  | 40  | 16  | 35   | 16 |
| JCR342   | M20      | 1.2                    | 36                  | 40              | 72  | 40  | 16  | 35   | 16 |
| JCR343   | M22      | 1.5                    | 38                  | 45              | 81  | 45  | 18  | 40   | 18 |
| JCR344   | M24      | 1.8                    | 72                  | 50              | 90  | 50  | 20  | 45   | 20 |
| JCR345   | M27      | 2.5                    | 70                  | 50              | 90  | 50  | 20  | 45   | 20 |
| JCR346   | M30      | 3.6                    | 132                 | 65              | 108 | 60  | 25  | 55   | 24 |
| JCR347   | M33      | 4.3                    | 130                 | 65              | 108 | 60  | 25  | 55   | 24 |
| JCR348   | M36      | 5.1                    | 208                 | 75              | 126 | 70  | 30  | 65   | 28 |
| JCR349   | M39      | 6.1                    | 202                 | 75              | 126 | 70  | 30  | 65   | 28 |
| JCR350   | M42      | 7                      | 311                 | 85              | 144 | 80  | 35  | 75   | 32 |
| JCR351   | M45      | 8                      | 304                 | 85              | 144 | 80  | 35  | 75   | 32 |
| JCR352   | M48      | 8.6                    | 502                 | 100             | 166 | 90  | 40  | 85   | 38 |
| JCR353   | M52      | 9.9                    | 495                 | 100             | 166 | 90  | 40  | 85   | 38 |
| JCR354   | M56      | 11.5                   | 669                 | 110             | 184 | 100 | 45  | 95   | 42 |
| JCR355   | M64      | 16                     | 930                 | 120             | 206 | 110 | 50  | 105  | 48 |
| JCR356   | M72      | 20                     | 1850                | 150             | 260 | 140 | 60  | 130  | 60 |
| JCR357   | M80      | 28                     | 2730                | 170             | 296 | 160 | 70  | 150  | 68 |
| JCR358   | M100     | 40                     | 3640                | 190             | 330 | 180 | 80  | 165  | 75 |

## JIS B 1168-1994 EYE BOLT



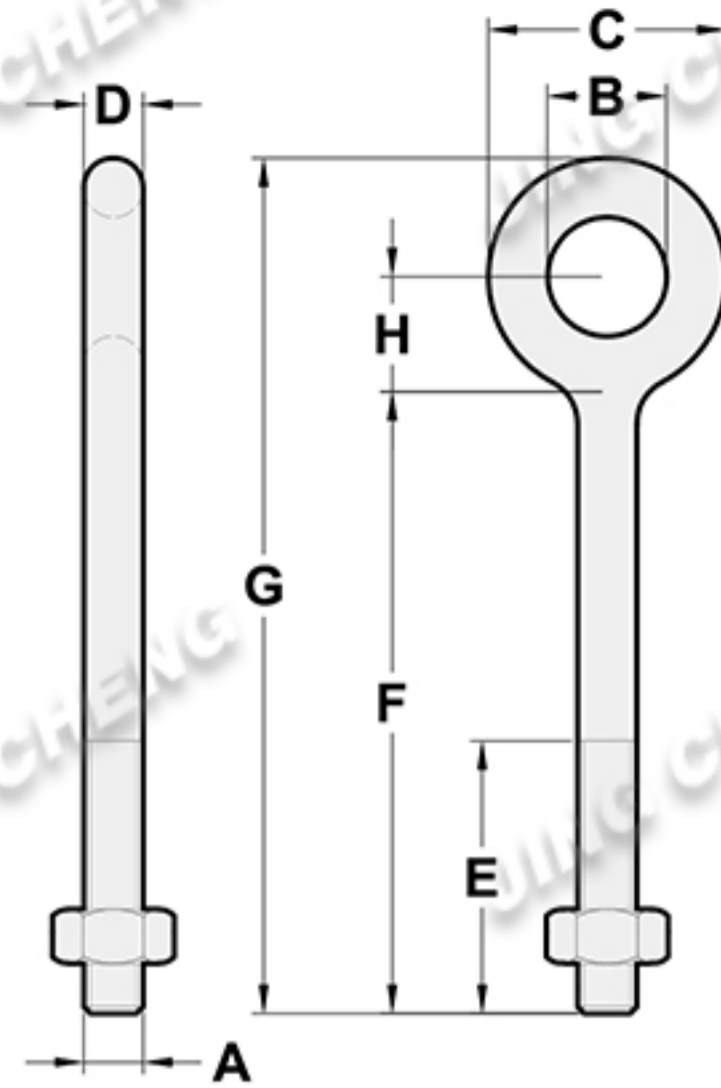
| Item No. | Size (d) | Working Load Limit (t) | Weight Each (kg) | Dimensions (mm) |    |      |    |    |    |       |    |    |
|----------|----------|------------------------|------------------|-----------------|----|------|----|----|----|-------|----|----|
|          |          |                        |                  | a               | b  | c    | D  | t  | h  | H     | l  | t  |
| JCR359   | M8       | 0.785                  | 0.03             | 32.6            | 20 | 6.3  | 16 | 5  | 17 | 33.3  | 15 | 5  |
| JCR360   | M10      | 1.47                   | 0.06             | 41              | 25 | 8    | 20 | 7  | 21 | 41.5  | 18 | 7  |
| JCR361   | M12      | 2.16                   | 0.12             | 50              | 30 | 10   | 25 | 9  | 26 | 51    | 22 | 9  |
| JCR362   | M16      | 4.41                   | 0.22             | 60              | 35 | 12.5 | 30 | 11 | 30 | 60    | 27 | 11 |
| JCR363   | M20      | 6.18                   | 0.4              | 72              | 40 | 16   | 30 | 13 | 35 | 71    | 30 | 13 |
| JCR364   | M24      | 9.32                   | 0.8              | 90              | 50 | 20   | 45 | 18 | 45 | 90    | 38 | 18 |
| JCR365   | M30      | 14.7                   | 1.54             | 110             | 60 | 25   | 60 | 22 | 55 | 110   | 45 | 22 |
| JCR366   | M36      | 22.6                   | 2.83             | 133             | 70 | 31.5 | 70 | 26 | 65 | 131.5 | 55 | 26 |

## JIS B 1169-1994 EYE NUT



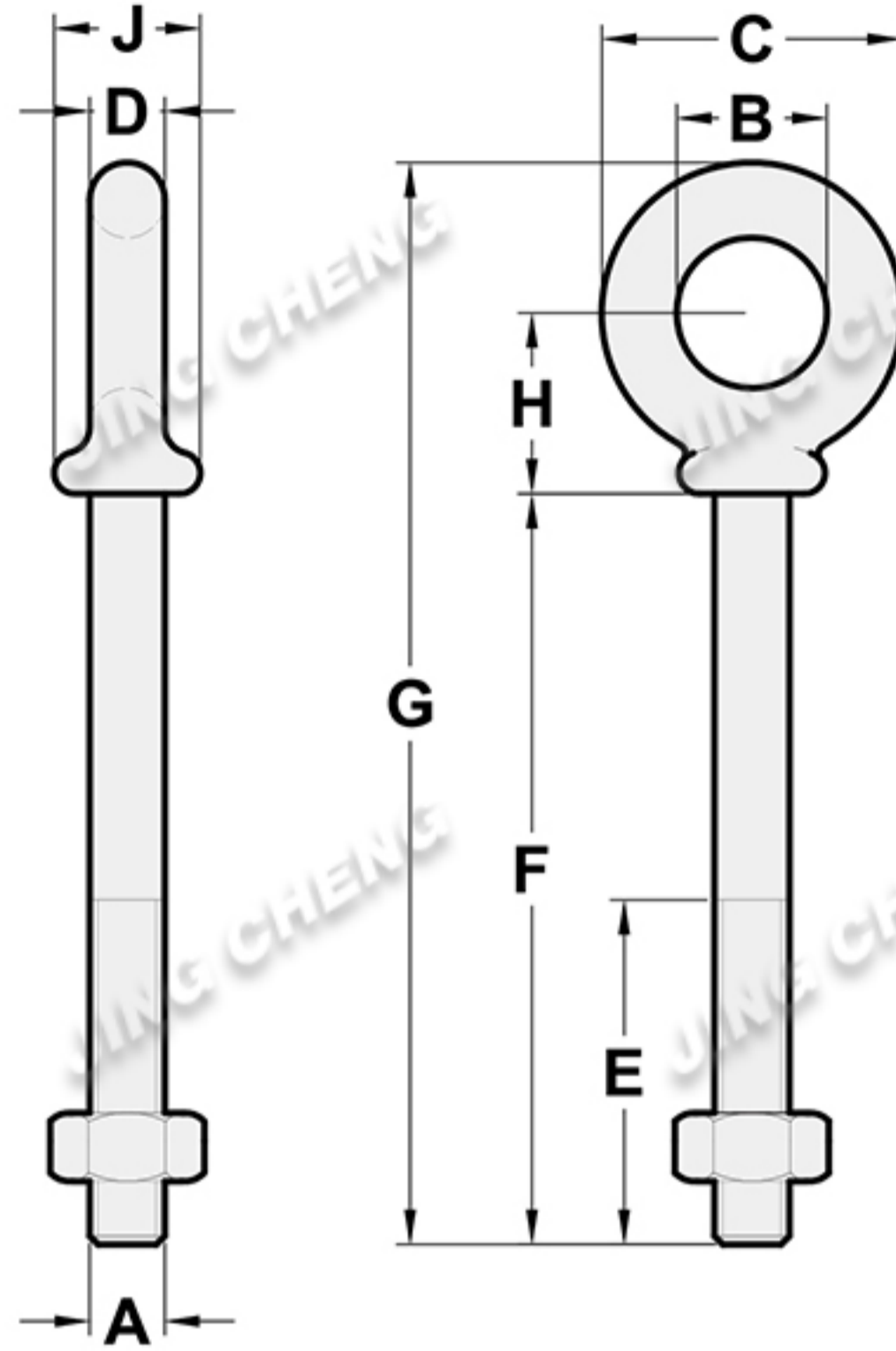
| Item No. | Size (d) | Working Load Limit (t) | Weight Each (kg) | Dimensions (mm) |    |      |    |    |    |       |    |  |
|----------|----------|------------------------|------------------|-----------------|----|------|----|----|----|-------|----|--|
|          |          |                        |                  | a               | b  | c    | D  | t  | h  | H     | r  |  |
| JCR367   | M8       | 0.785                  | 0.03             | 32.6            | 20 | 6.3  | 16 | 12 | 23 | 39.3  | 8  |  |
| JCR368   | M10      | 1.47                   | 0.06             | 41              | 25 | 8    | 20 | 15 | 28 | 48.5  | 10 |  |
| JCR369   | M12      | 2.16                   | 0.125            | 50              | 30 | 10   | 25 | 19 | 36 | 61    | 12 |  |
| JCR370   | M16      | 4.41                   | 0.23             | 60              | 35 | 12.5 | 30 | 23 | 42 | 72    | 14 |  |
| JCR371   | M20      | 6.18                   | 0.38             | 72              | 40 | 16   | 35 | 28 | 50 | 86    | 16 |  |
| JCR372   | M24      | 9.32                   | 0.8              | 90              | 50 | 20   | 45 | 38 | 66 | 111   | 20 |  |
| JCR373   | M30      | 14.7                   | 1.58             | 110             | 60 | 25   | 60 | 46 | 80 | 135   | 30 |  |
| JCR374   | M36      | 22.6                   | 2.75             | 133             | 70 | 31.5 | 70 | 55 | 95 | 161.5 | 35 |  |

## US TYPE REGULAR NUT EYE BOLTS G291



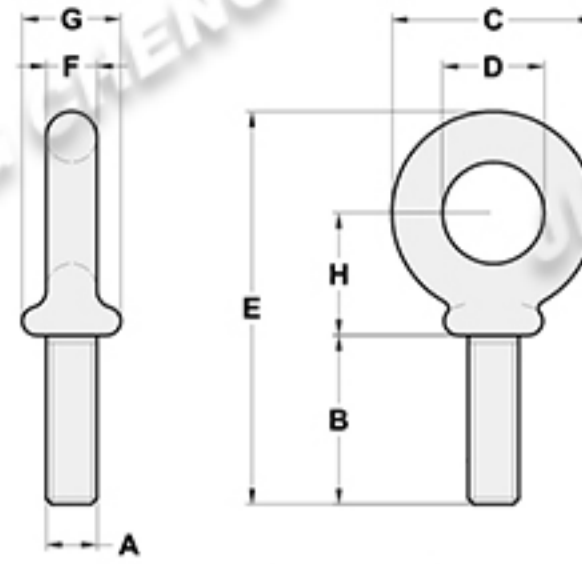
| Item No. | Size (in.)   | Working Load Limit (lbs.) | Weight Per 100 (lbs.) | Dimensions (in.) |      |      |      |     |      |       |      |
|----------|--------------|---------------------------|-----------------------|------------------|------|------|------|-----|------|-------|------|
|          |              |                           |                       | A                | B    | C    | D    | E   | F    | G     | H    |
| JCR375   | 1/4 x 2      | 650                       | 8.2                   | 0.25             | 0.5  | 1    | 0.25 | 1.5 | 2    | 3.06  | 0.56 |
| JCR376   | 1/4 x 4      | 650                       | 11.7                  | 0.25             | 0.5  | 1    | 0.25 | 2.5 | 4    | 5.06  | 0.56 |
| JCR377   | 5/16 x 2-1/4 | 1200                      | 13.3                  | 0.31             | 0.62 | 1.25 | 0.31 | 1.5 | 2.25 | 3.56  | 0.69 |
| JCR378   | 5/16 x 4-1/4 | 1200                      | 25                    | 0.31             | 0.62 | 1.25 | 0.31 | 2.5 | 4.25 | 5.56  | 0.69 |
| JCR379   | 3/8 x 2-1/2  | 1550                      | 23.3                  | 0.38             | 0.75 | 1.5  | 0.38 | 1.5 | 2.5  | 4.12  | 0.88 |
| JCR380   | 3/8 x 4-1/2  | 1550                      | 29.5                  | 0.38             | 0.75 | 1.5  | 0.38 | 2.5 | 4.5  | 6.12  | 0.88 |
| JCR381   | 3/8 x 6      | 1550                      | 35.2                  | 0.38             | 0.75 | 1.5  | 0.38 | 2.5 | 6    | 7.62  | 0.88 |
| JCR382   | 1/2 x 3-1/4  | 2600                      | 50.3                  | 0.5              | 1    | 2    | 0.5  | 1.5 | 3.25 | 5.38  | 1.12 |
| JCR383   | 1/2 x 6      | 2600                      | 66.1                  | 0.5              | 1    | 2    | 0.5  | 3   | 6    | 8.12  | 1.12 |
| JCR384   | 1/2 x 8      | 2600                      | 82                    | 0.5              | 1    | 2    | 0.5  | 3   | 8    | 10.12 | 1.12 |
| JCR385   | 1/2 x 10     | 2600                      | 88                    | 0.5              | 1    | 2    | 0.5  | 3   | 10   | 12.12 | 1.12 |
| JCR386   | 1/2 x 12     | 2600                      | 114.2                 | 0.5              | 1    | 2    | 0.5  | 3   | 12   | 14.12 | 1.12 |
| JCR387   | 5/8 x 4      | 5200                      | 103.1                 | 0.62             | 1.25 | 2.5  | 0.62 | 2   | 4    | 6.69  | 1.44 |
| JCR388   | 5/8 x 6      | 5200                      | 118.2                 | 0.62             | 1.25 | 2.5  | 0.62 | 3   | 6    | 8.69  | 1.44 |
| JCR389   | 5/8 x 8      | 5200                      | 135.1                 | 0.62             | 1.25 | 2.5  | 0.62 | 3   | 8    | 10.69 | 1.44 |
| JCR390   | 5/8 x 10     | 5200                      | 153.6                 | 0.62             | 1.25 | 2.5  | 0.62 | 3   | 10   | 12.69 | 1.44 |
| JCR391   | 5/8 x 12     | 5200                      | 167.1                 | 0.62             | 1.25 | 2.5  | 0.62 | 4   | 12   | 14.69 | 1.44 |
| JCR392   | 3/4 x 4-1/2  | 7200                      | 168.6                 | 0.75             | 1.5  | 3    | 0.75 | 2   | 4.5  | 7.69  | 1.44 |
| JCR393   | 3/4 x 6      | 7200                      | 184.5                 | 0.75             | 1.5  | 3    | 0.75 | 3   | 6    | 9.19  | 1.69 |
| JCR394   | 3/4 x 8      | 7200                      | 207.9                 | 0.75             | 1.5  | 3    | 0.75 | 3   | 8    | 11.19 | 1.69 |
| JCR395   | 3/4 x 10     | 7200                      | 235                   | 0.75             | 1.5  | 3    | 0.75 | 3   | 10   | 13.19 | 1.69 |
| JCR396   | 3/4 x 12     | 7200                      | 257.5                 | 0.75             | 1.5  | 3    | 0.75 | 4   | 12   | 15.18 | 1.69 |
| JCR397   | 3/4 x 15     | 7200                      | 298                   | 0.75             | 1.5  | 3    | 0.75 | 5   | 15   | 18.19 | 1.69 |
| JCR398   | 7/8 x 5      | 10600                     | 270                   | 0.88             | 1.75 | 3.5  | 0.88 | 2.5 | 5    | 8.75  | 2    |
| JCR399   | 7/8 x 8      | 10600                     | 308                   | 0.88             | 1.75 | 3.5  | 0.88 | 4   | 8    | 11.75 | 2    |
| JCR400   | 7/8 x 12     | 10600                     | 400                   | 0.88             | 1.75 | 3.5  | 0.88 | 4   | 12   | 15.75 | 2    |
| JCR401   | 1 x 6        | 13300                     | 421                   | 1                | 2    | 4    | 1    | 3   | 6    | 10.31 | 2.31 |
| JCR402   | 1 x 9        | 13300                     | 468.5                 | 1                | 2    | 4    | 1    | 4   | 9    | 13.31 | 2.31 |
| JCR403   | 1 x 12       | 13300                     | 540                   | 1                | 2    | 4    | 1    | 4   | 12   | 16.31 | 2.31 |
| JCR404   | 1 x 18       | 13300                     | 650                   | 1                | 2    | 4    | 1    | 7   | 18   | 22.31 | 2.31 |
| JCR405   | 1-1/4 x 8    | 21000                     | 750                   | 1.25             | 2.5  | 5    | 1.25 | 4   | 8    | 13.38 | 2.88 |
| JCR406   | 1-1/4 x 12   | 21000                     | 900                   | 1.25             | 2.5  | 5    | 1.25 | 4   | 12   | 17.38 | 2.88 |
| JCR407   | 1-1/4 x 20   | 21000                     | 1210                  | 1.25             | 2.5  | 5    | 1.25 | 6   | 20   | 25.38 | 2.88 |

## US TYPE FORGED SHOULDER NUT EYE BOLTS G277



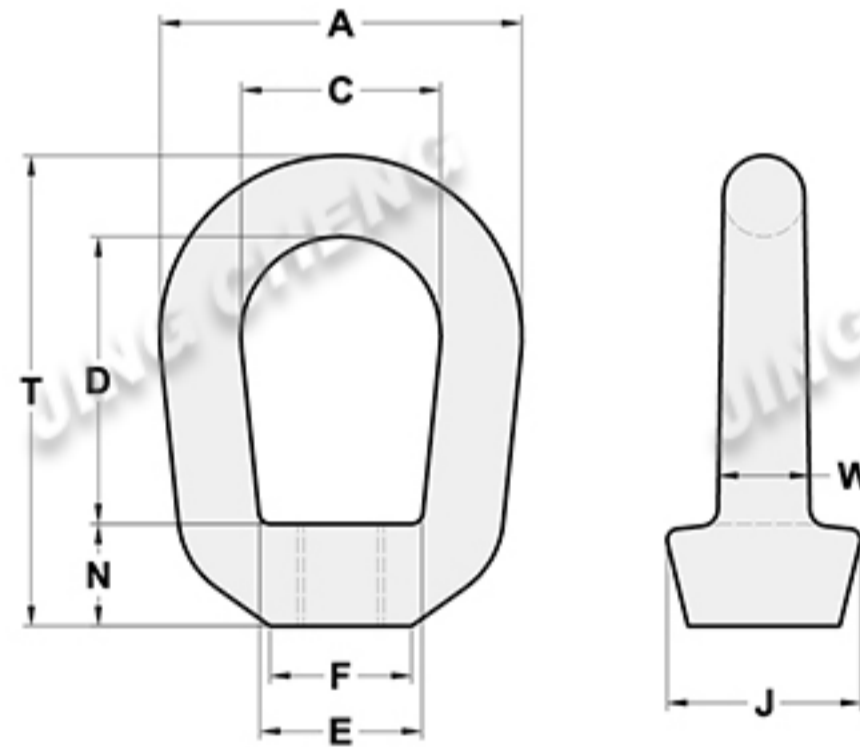
| Item No. | Size (in.)   | Working Load Limit (lbs.) | Weight Per 100 (lbs.) | Dimensions (in.) |      |      |      |     |      |       |      |      |
|----------|--------------|---------------------------|-----------------------|------------------|------|------|------|-----|------|-------|------|------|
|          |              |                           |                       | A                | B    | C    | D    | E   | F    | G     | H    | J    |
| JCR408   | 1/4 × 2      | 650                       | 6.6                   | 0.25             | 0.5  | 0.88 | 0.19 | 1.5 | 2    | 2.94  | 0.5  | 0.47 |
| JCR409   | 1/4 × 4      | 650                       | 9.1                   | 0.25             | 0.5  | 0.88 | 0.19 | 2.5 | 4    | 4.94  | 0.5  | 0.47 |
| JCR410   | 5/16 × 2-1/4 | 1200                      | 12.5                  | 0.31             | 0.62 | 1.12 | 0.25 | 1.5 | 2.25 | 3.5   | 0.69 | 0.56 |
| JCR411   | 5/16 × 4-1/4 | 1200                      | 18.8                  | 0.31             | 0.62 | 1.12 | 0.25 | 2.5 | 4.25 | 5.5   | 0.69 | 0.56 |
| JCR412   | 3/8 × 2-1/2  | 1550                      | 21.4                  | 0.38             | 0.75 | 1.38 | 0.31 | 1.5 | 2.5  | 3.97  | 0.78 | 0.66 |
| JCR413   | 3/8 × 4-1/2  | 1550                      | 25.3                  | 0.38             | 0.75 | 1.38 | 0.31 | 2.5 | 4.5  | 5.97  | 0.78 | 0.66 |
| JCR414   | 1/2 × 3-1/4  | 2600                      | 42.6                  | 0.5              | 1    | 1.75 | 0.38 | 1.5 | 3.25 | 5.12  | 1    | 0.91 |
| JCR415   | 1/2 × 6      | 2600                      | 56.8                  | 0.5              | 1    | 1.75 | 0.38 | 3   | 6    | 7.88  | 1    | 0.91 |
| JCR416   | 5/8 × 4      | 5200                      | 68.6                  | 0.62             | 1.25 | 2.25 | 0.5  | 2   | 4    | 6.44  | 1.31 | 1.12 |
| JCR417   | 5/8 × 6      | 5200                      | 102.4                 | 0.62             | 1.25 | 2.25 | 0.5  | 3   | 6    | 8.44  | 1.31 | 1.12 |
| JCR418   | 3/4 × 4-1/2  | 7200                      | 144.5                 | 0.75             | 1.5  | 2.75 | 0.62 | 2   | 4.5  | 7.44  | 1.56 | 1.38 |
| JCR419   | 3/4 × 6      | 7200                      | 167.5                 | 0.75             | 1.5  | 2.75 | 0.62 | 3   | 6    | 8.94  | 1.56 | 1.38 |
| JCR420   | 7/8 × 5      | 10600                     | 225                   | 0.88             | 1.75 | 3.25 | 0.75 | 2.5 | 5    | 8.46  | 1.84 | 1.56 |
| JCR421   | 1 × 6        | 13300                     | 366.3                 | 1                | 2    | 3.75 | 0.88 | 3   | 6    | 9.97  | 2.09 | 1.81 |
| JCR422   | 1 × 9        | 13300                     | 422.5                 | 1                | 2    | 3.75 | 0.88 | 4   | 9    | 12.97 | 2.09 | 1.81 |
| JCR423   | 1-1/4 × 8    | 21000                     | 650                   | 1.25             | 2.5  | 4.5  | 1    | 4   | 8    | 12.72 | 2.47 | 2.28 |
| JCR424   | 1-1/4 × 12   | 21000                     | 795                   | 1.25             | 2.5  | 4.5  | 1    | 4   | 12   | 16.72 | 2.47 | 2.28 |
| JCR425   | 1-1/2 × 15   | 24000                     | 1425                  | 1.5              | 3    | 5.5  | 1.25 | 6   | 15   | 20.75 | 3    | 2.75 |

## US TYPE FORGED MACHINERY EYE BOLTS S279



| Item No. | Size (in.)    | Working Load Limit (lbs.) | Weight Per 100 (lbs.) | Dimensions (in.) |      |      |      |       |      |      |      |
|----------|---------------|---------------------------|-----------------------|------------------|------|------|------|-------|------|------|------|
|          |               |                           |                       | A                | B    | C    | D    | E     | F    | G    | H    |
| JCR426   | 1/4 x 1       | 650                       | 5                     | 1/4-20           | 1.02 | 1.13 | 0.75 | 2.29  | 0.19 | 0.53 | 0.77 |
| JCR427   | 5/16 x 1-1/8  | 1200                      | 9                     | 5/16-18          | 1.15 | 1.38 | 0.88 | 2.74  | 0.25 | 0.59 | 0.95 |
| JCR428   | 3/8 x 1-1/4   | 1550                      | 15                    | 3/8-16           | 1.27 | 1.62 | 1    | 3.07  | 0.31 | 0.69 | 1.05 |
| JCR429   | 1/2 x 1-1/2   | 2600                      | 28                    | 1/2-13           | 1.53 | 1.95 | 1.19 | 3.7   | 0.38 | 0.91 | 1.27 |
| JCR430   | 5/8 x 1-3/4   | 5200                      | 55                    | 5/8-11           | 1.79 | 2.38 | 1.38 | 4.45  | 0.5  | 1.13 | 1.53 |
| JCR431   | 3/4 x 2       | 7200                      | 96                    | 3/4-10           | 2.05 | 2.76 | 1.5  | 5.07  | 0.63 | 1.38 | 1.71 |
| JCR432   | 7/8 x 2-1/4   | 10600                     | 154                   | 7/8-10           | 2.31 | 3.25 | 1.75 | 5.87  | 0.75 | 1.56 | 2    |
| JCR433   | 1 x 2-1/2     | 13300                     | 238                   | 1-8              | 2.57 | 3.76 | 2    | 6.66  | 0.88 | 1.81 | 2.3  |
| JCR434   | 1-1/8 x 2-3/4 | 15000                     | 320                   | 1-1/8-7          | 2.75 | 4.19 | 2.25 | 7.2   | 0.97 | 2.06 | 2.35 |
| JCR435   | 1-1/4 x 3     | 21000                     | 399                   | 1-1/4-7          | 3.09 | 4.5  | 2.5  | 7.95  | 1    | 2.28 | 2.73 |
| JCR436   | 1-1/2 x 3-1/2 | 24000                     | 720                   | 1-1/2-6          | 3.6  | 5.5  | 3    | 9.49  | 1.25 | 2.75 | 3.28 |
| JCR437   | 1-3/4 x 3-3/4 | 34000                     | 1040                  | 1-3/4-5          | 3.75 | 6.26 | 3.5  | 10.48 | 1.38 | 3    | 3.6  |
| JCR438   | 2 x 4         | 42000                     | 1880                  | 2-4-1/2          | 4    | 7.62 | 4    | 12.31 | 1.81 | 3.38 | 4.5  |
| JCR439   | 2-1/2 x 5     | 65000                     | 3250                  | 2-1/2-4          | 5    | 8.76 | 4.5  | 14.88 | 2.12 | 4.25 | 5.5  |

## US TYPE FORGED EYE NUTS G400



| Item No. | Size (in.) | Working Load Limit (lbs.) | Weight Per 100 (lbs.) | Dimensions (in.) |      |      |      |      |      |      |      |      |      |
|----------|------------|---------------------------|-----------------------|------------------|------|------|------|------|------|------|------|------|------|
|          |            |                           |                       | A                | C    | D    | E    | F    | J    | K    | N    | T    | W    |
| JCR440   | 1/4        | 520                       | 0.09                  | 1.25             | 0.75 | 1    | 0.75 | 0.5  | 0.69 | 0.63 | 0.38 | 1.72 | 0.31 |
| JCR441   | 3/8        | 1250                      | 0.17                  | 1.62             | 1    | 1.2  | 0.83 | 0.56 | 0.81 | 0.89 | 0.5  | 2.09 | 0.41 |
| JCR442   | 1/2        | 2250                      | 0.28                  | 2                | 1.25 | 1.44 | 1.08 | 0.81 | 1    | 1.09 | 0.62 | 2.55 | 0.5  |
| JCR443   | 5/8        | 3600                      | 0.6                   | 2.5              | 1.5  | 1.92 | 1.35 | 1    | 1.31 | 1.31 | 0.69 | 3.25 | 0.69 |
| JCR444   | 3/4        | 5200                      | 1                     | 3                | 1.75 | 2.38 | 1.59 | 1.12 | 1.5  | 1.5  | 0.88 | 3.89 | 0.84 |
| JCR445   | 7/8        | 7200                      | 1.65                  | 3.5              | 2    | 2.63 | 1.96 | 1.38 | 1.88 | 1.88 | 0.94 | 4.32 | 1    |
| JCR446   | 1          | 10000                     | 2.69                  | 4                | 2.25 | 3.06 | 2.21 | 1.56 | 2.13 | 2.13 | 1.07 | 5.01 | 1.19 |
| JCR447   | 1-1/4      | 15500                     | 4.38                  | 4.5              | 2.5  | 3.5  | 2.46 | 1.88 | 2.38 | 2.38 | 1.25 | 5.78 | 1.38 |
| JCR448   | 1-3/8      | 18500                     | 5                     | 5                | 2.75 | 4    | 2.69 | 2    | 2.56 | 2.56 | 1.38 | 6.51 | 1.5  |
| JCR449   | 1-1/2      | 22500                     | 6.78                  | 5.62             | 3.12 | 4.31 | 3.09 | 2.25 | 3    | 3    | 1.5  | 7.06 | 1.66 |
| JCR450   | 2          | 40000                     | 14.6                  | 7.12             | 4.1  | 6.2  | 4.09 | 3.13 | 3.75 | 3.75 | 2.06 | 9.91 | 1.94 |