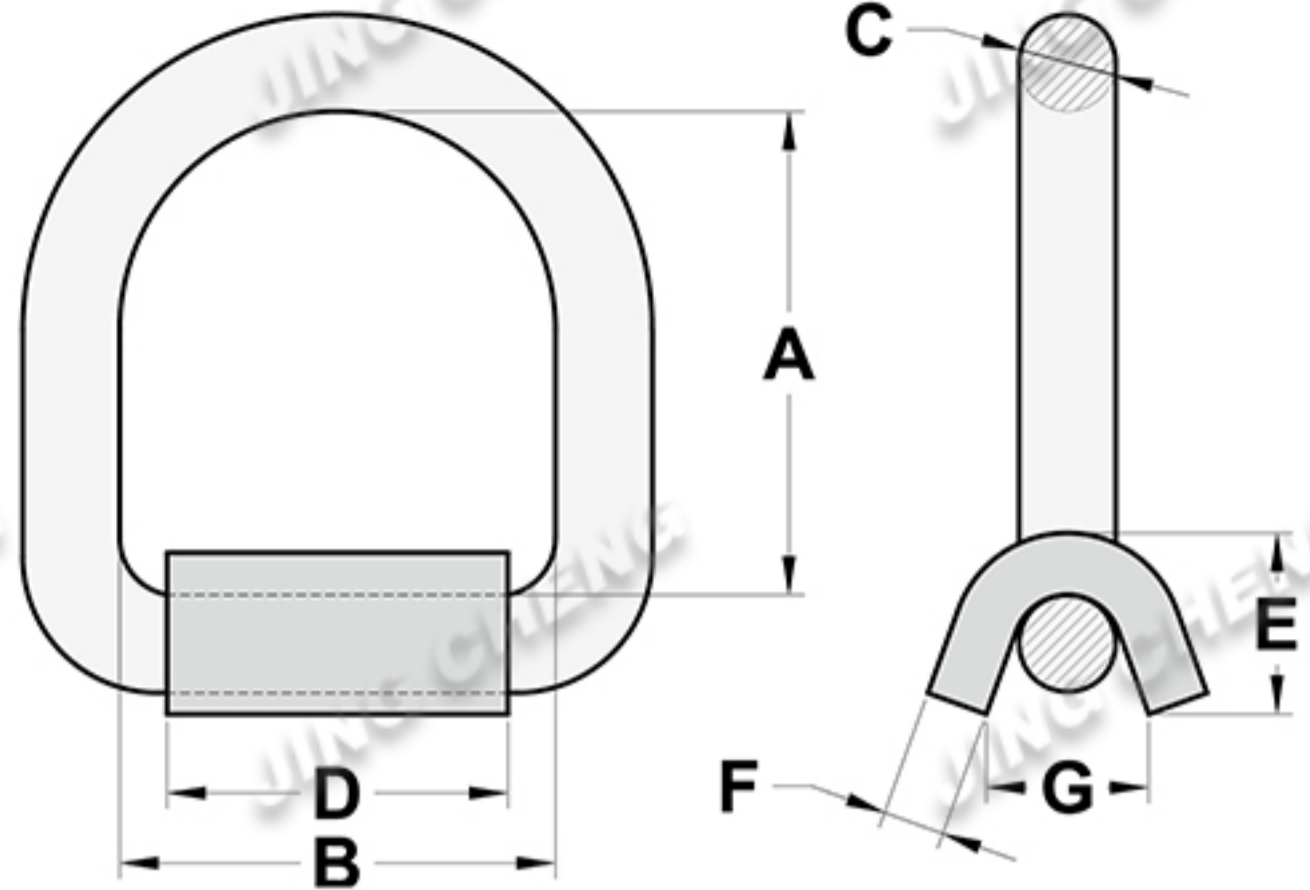
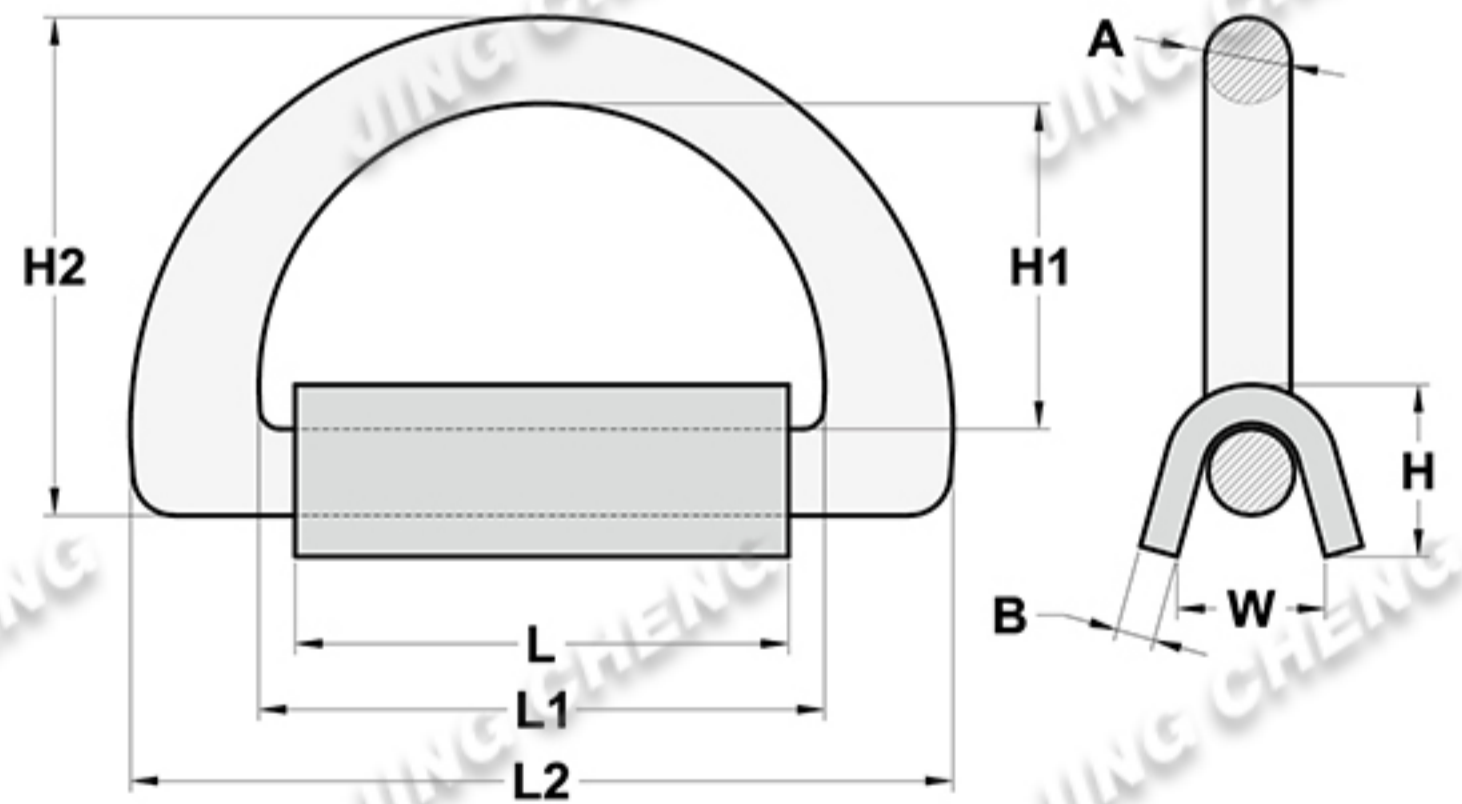


D RING WITH STRAP, TYPE A



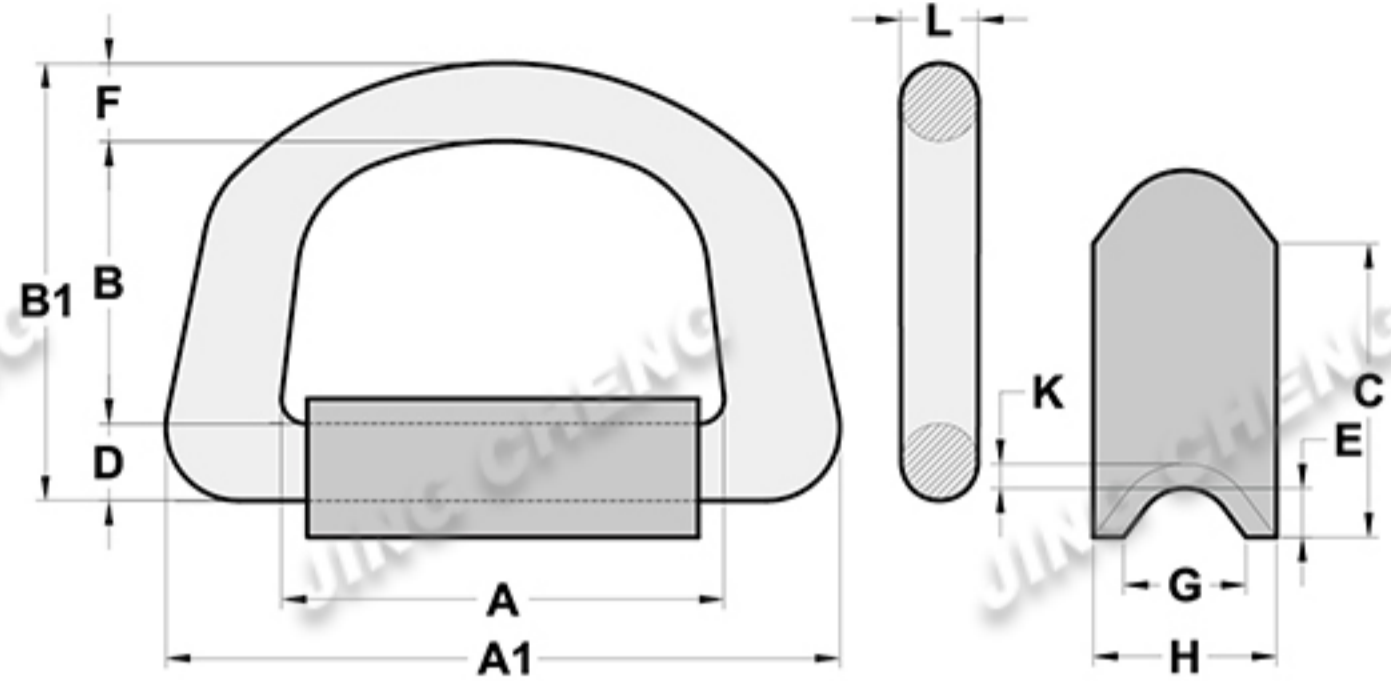
Item No.	Size (in.)	Minimum Breaking Strength (lbs.)	Weight Each (lbs.)	Dimensions (mm)						
				A	B	C	D	E	F	G
JCR159	3/8	3000	0.81	51	68	9.5	51	20	6	15
JCR160	1/2	12000	0.94	63.5	57.1	13	45	25	8	33
JCR161	5/8	18000	1.87	75	75	16	63.5	31	9.5	37
JCR162	3/4	26500	2.70	75	75	19	63.5	35	9.5	40
JCR163	1	47000	4.21	75	75	25	63.5	41	9.5	63
JCR164	1	47000	4.74	100	75	25	63.5	41	9.5	63

D RING WITH STRAP, TYPE B



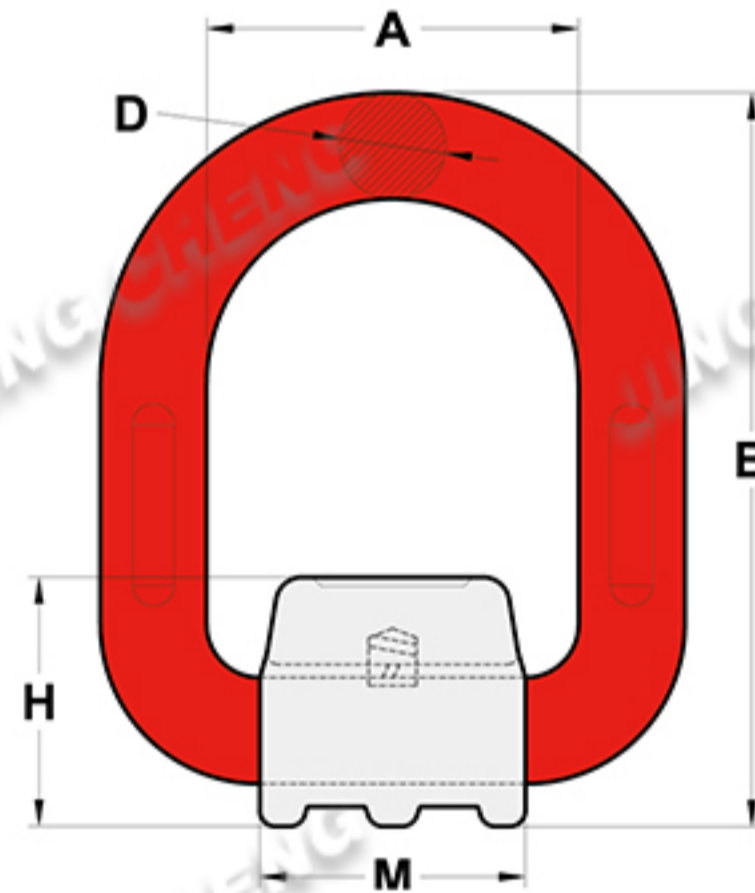
Item No.	Size	Working Load Limit (T)	Proof Test (T)	Minimum Breaking Strength (T)	Weight Each (lbs.)	Dimensions (mm)								
						L	L1 (±1)	L2	H1 (±1)	H2	H	B	W	A
JCR165	20T	5	7.5	20	2.21	90	120	170	70	102	30	10	42	16
JCR166	36T	9	13.5	36	5.42	120	136	212	80	122	35	10	42	21
JCR167	41T	10.5	15.4	41	8.15	125	144	225	88	138	43	12	62	25
JCR168	50T	18.75	18.75	50	9.71	130	151	241	90	144	48	14	65	27

D RING WITH STRAP, TYPE C



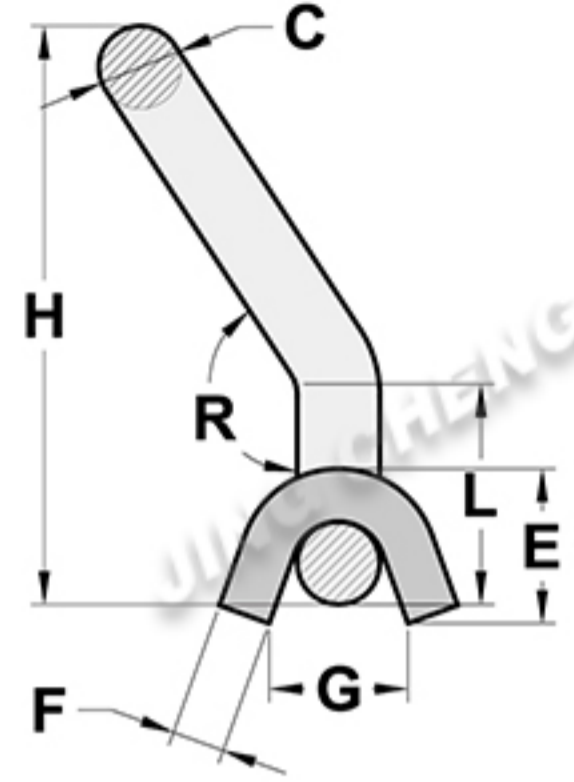
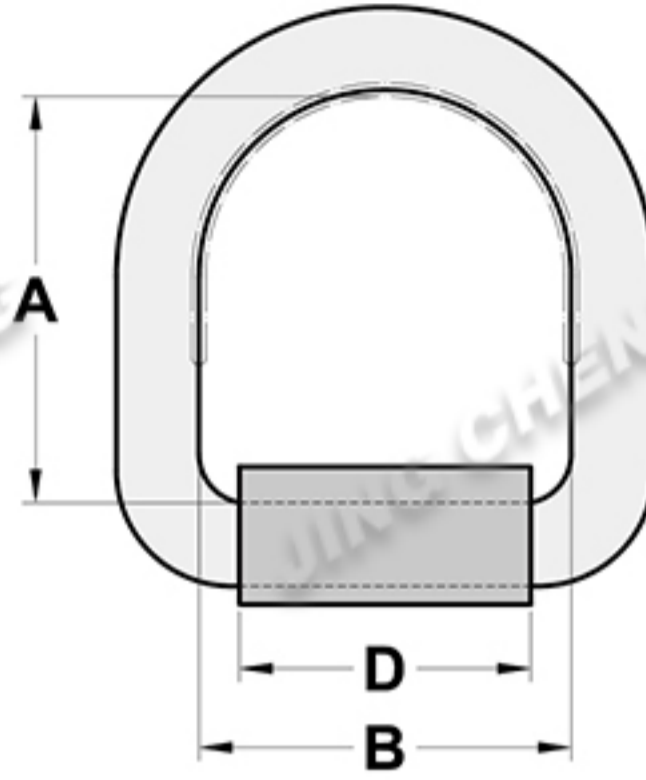
Item No.	Size	Minimum Breaking Strength (T)	Weight Each (kg)	Dimensions (mm)											
				A	A1	B	B1	D	F	C	E	K	G	H	L
JCR169	MBS7T	7	0.5370	65.5	123.1	51.1	76.1	12.7	12.3	50	16.2	5.9	32.2	42	12.5
JCR170	MBS36T	36	2.5330	121	191.4	81	128.4	23.8	23.8	102	27	11.3	48.12	67	22.5
JCR171	MBS41T	41	3.4040	126.5	202	92.8	144	25.9	25.3	102	31.8	13.5	63	82.5	25
JCR172	MBS50T	50	4.1190	127	223	102	155	27.2	26.5	102	31	13.5	63	83	26.5

G80 WELD ON POVOTING D LINK



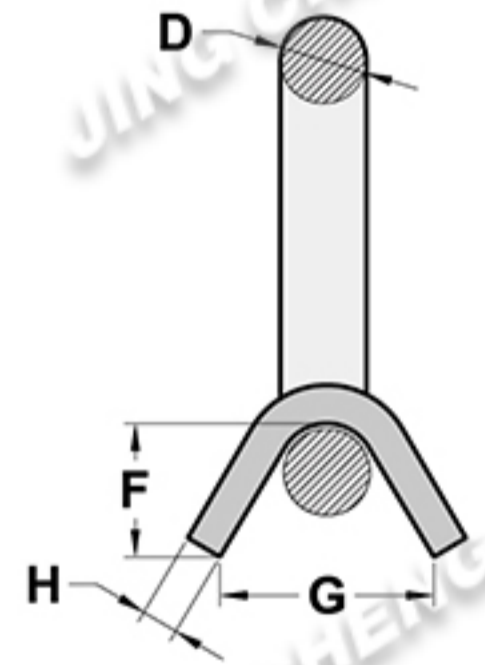
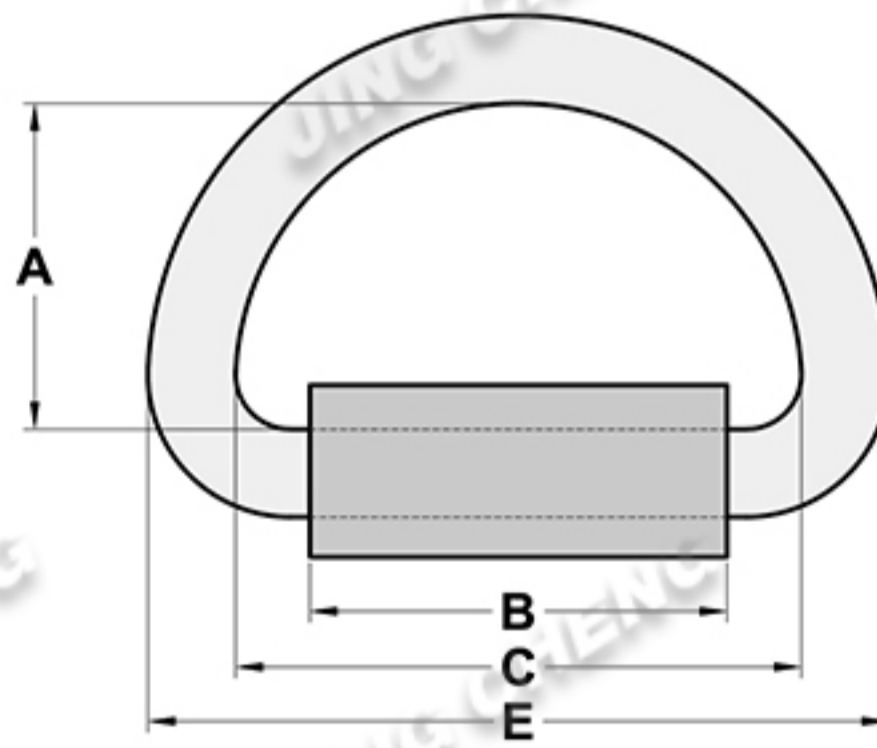
Item No.	Size	Weight Each (kg)	Working Load Limit (T)	Breaking Load (T)	Dimensions (mm)				
					A±1	B±2	D±1	M±1.2	H±0.3
JCR173	1.12T	0.40	1.12	4.48	41	78.5	13	37	35
JCR174	2T	0.47	2.00	8.00	42	88	14	40	37
JCR175	3.15T	0.69	3.15	12.80	45	94	17	42.5	40
JCR176	5.3T	1.46	5.30	21.20	55	118	22	61	52
JCR177	8T	2.50	8.00	32.00	70	141	26.5	70.5	57
JCR178	10T	3.59	10.00	40.00	85	165	28	78	63.5
JCR179	15T	5.79	15.00	60.00	97	188	34	90	77
JCR180	20T	15.5	20.00	80.00	150	250	46	130	98

D RING WITH STRAP & BEND



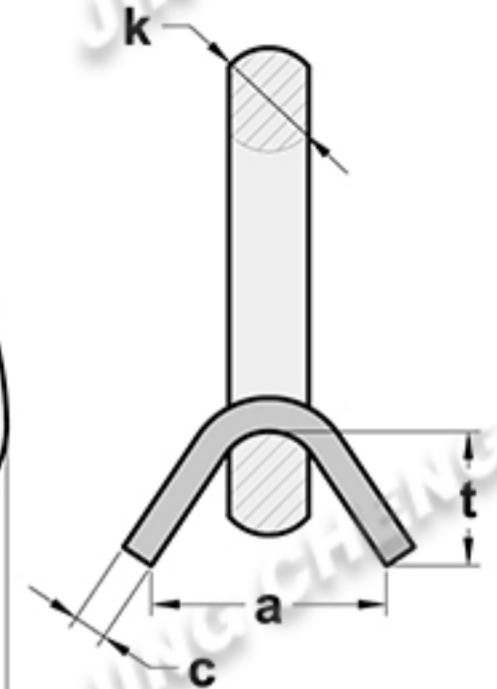
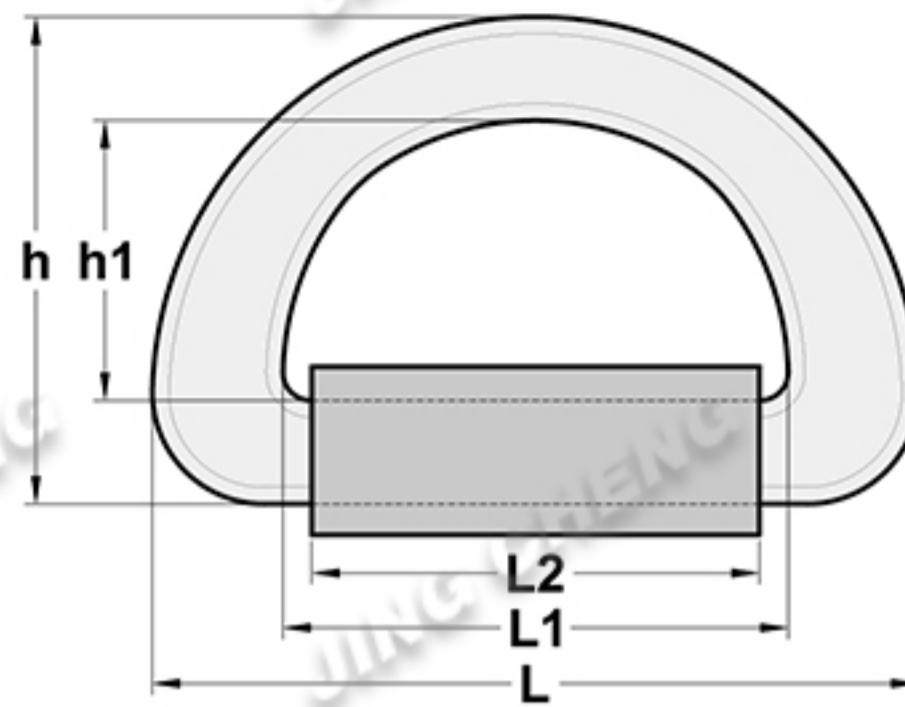
Item No.	Size (in.)	Minimum Breaking Strngth (lbs.)	Weight Each (lbs.)	Dimensions (mm)										
				A	B	C	D	E	F	G	H	L	R	
JCR181	1	47000	4.21	75	75	25	63.5	41	9.5	63	125	80	135°	
JCR182	1	47000	4.74	100	75	25	63.5	41	9.5	63	150	80	135°	

D RING WITH STRAP, JIS TYPE



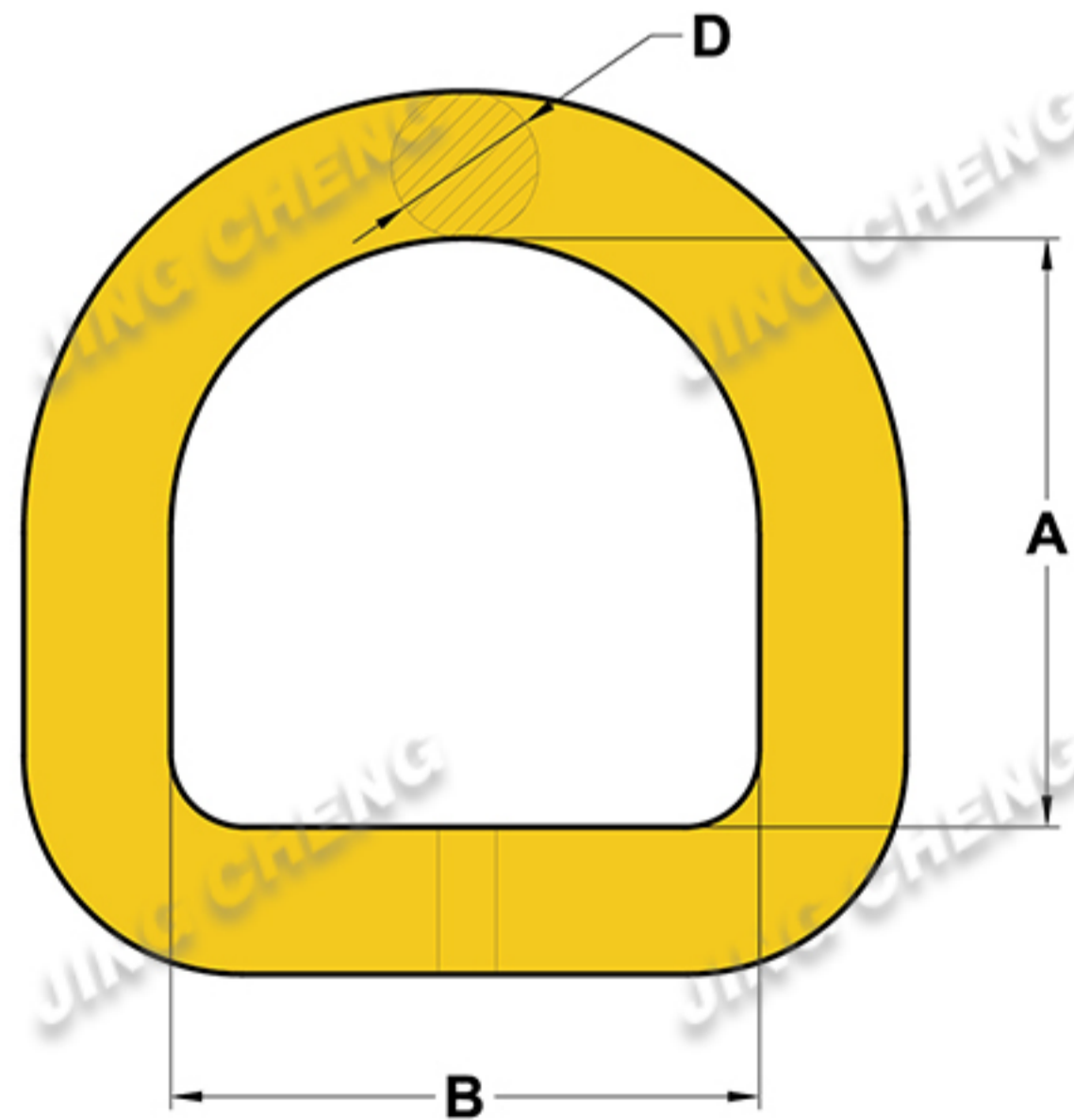
Item No.	Size	Weight Each (kg)	Dimensions (mm)							
			A	B	C	D	E	F	G	H
JCR183	5T	1.09	52	71	97	19	135	23	55	9.5
JCR184	25T	1.54	69	83	114	20	162	28	45	9.5
JCR185	36T	2.58	78	118	132	24	201	28	38	12
JCR186	41T	3.7	86	126	141	25	221	34	40	14
JCR187	50T	4.2	88	126	148	26	233	34	40	14

D RING WITH STRAP, TYPE B



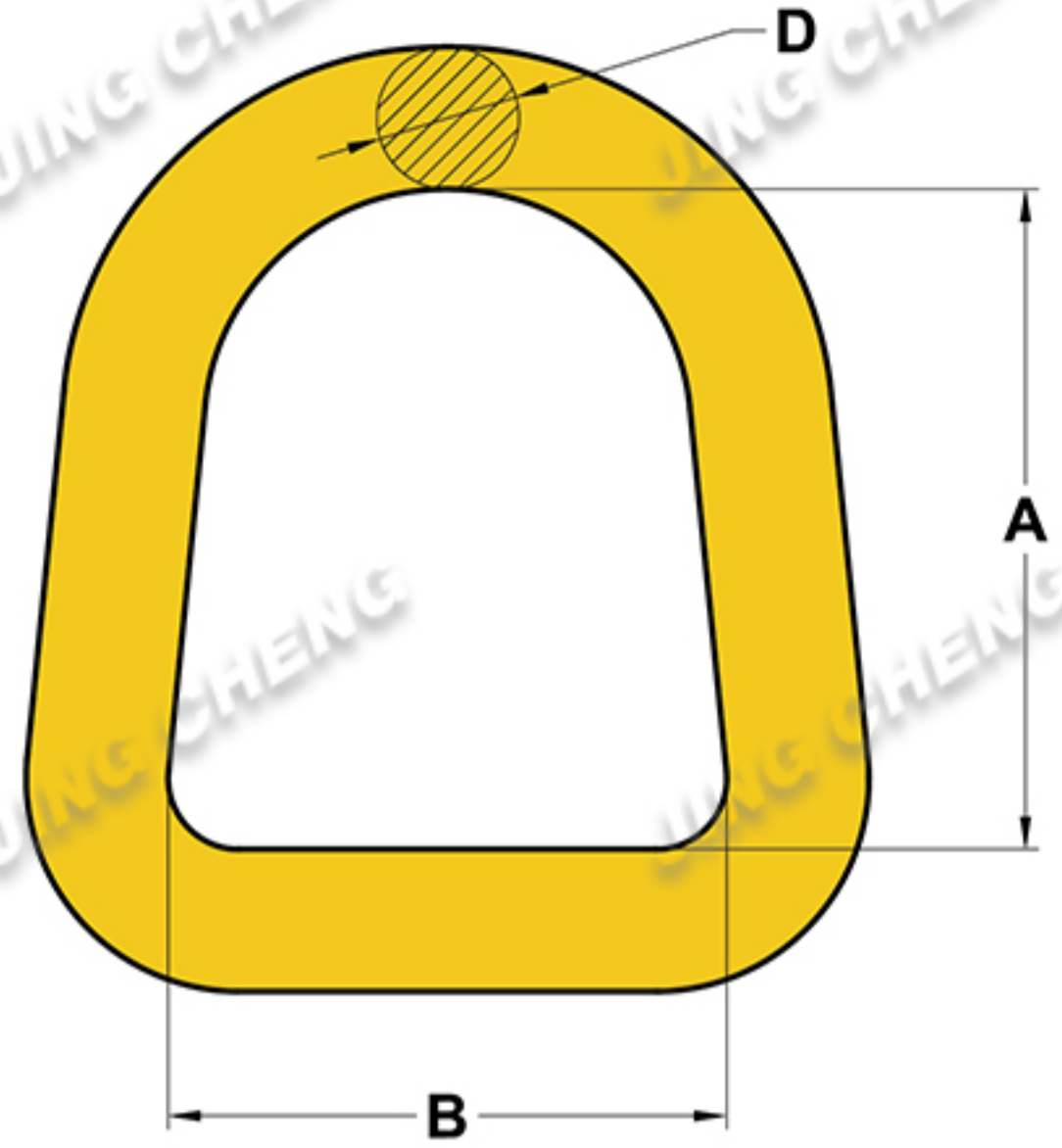
Item No.	Size	Dimensions (mm)								
		h	h1	L	L1	L2	a	k	t	c
JCR188	20T	87	50	137	90	80	42	18	24	10
JCR189	25T	109	69	170	112	90	48	20	25	10
JCR190	30T	102	58	144	88	80	42	21	24	10
JCR191	36T	112	66.5	165	100	90	50	24	35	12
JCR192	36T	124	76	208	130	120	45	23	30	12
JCR193	41T	137	87	225	143	120	50	26	48	12
JCR194	50T	140	86	227	137	120	50	27	48	12

G80 WELDED D RING



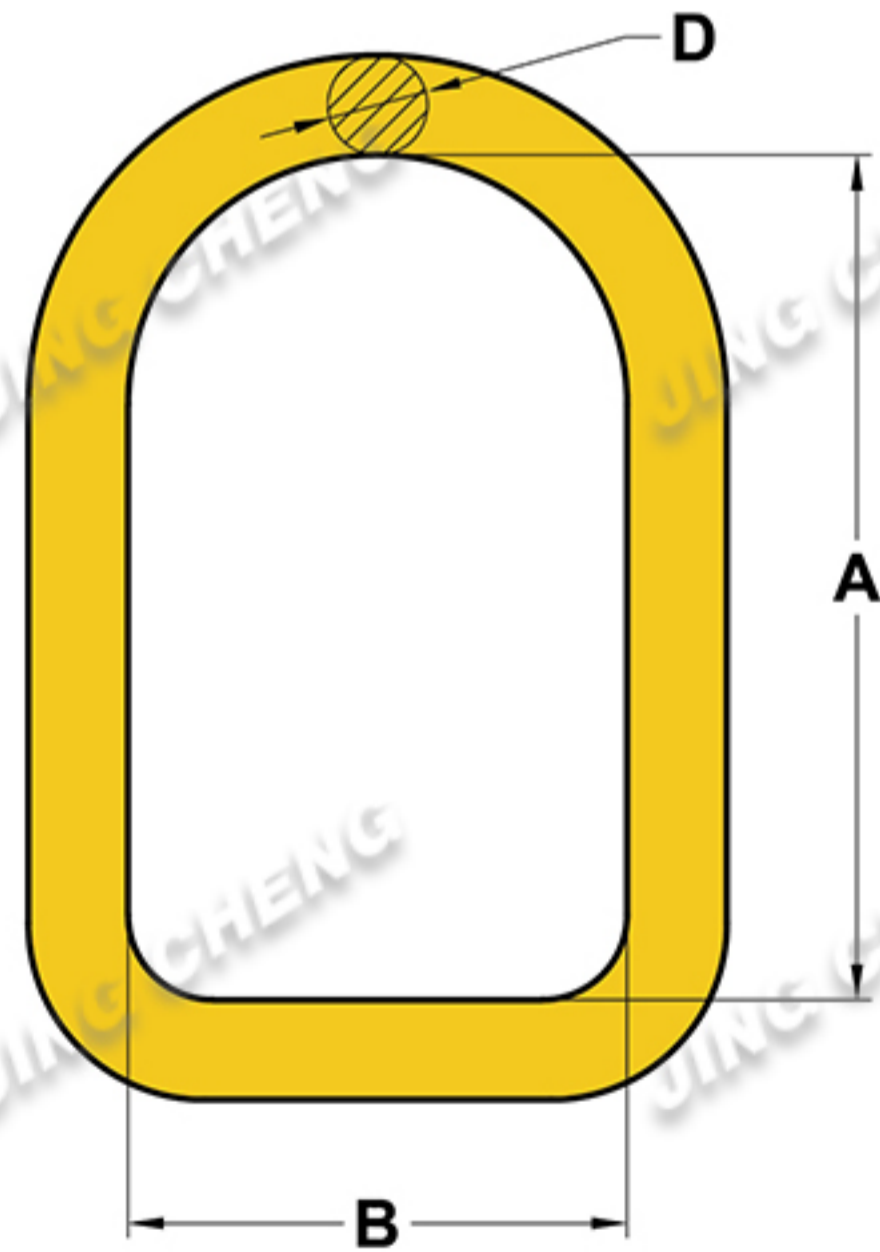
Item No.	Size	Weight Each (kg)	Working Load Limit (t)	Breaking Load Limit (t)	Dimensions (mm)		
					A ± 1.5	B ± 1.5	D ± 1
JCR195	2.5T	0.3	2.5	10	65	55	14
JCR196	4T	0.5	4	16	62	64	17
JCR197	6.5T	0.7	6.5	26	80	72	19
JCR198	8T	1.0	8.0	32	90	76	22

G80 FORGED D RING



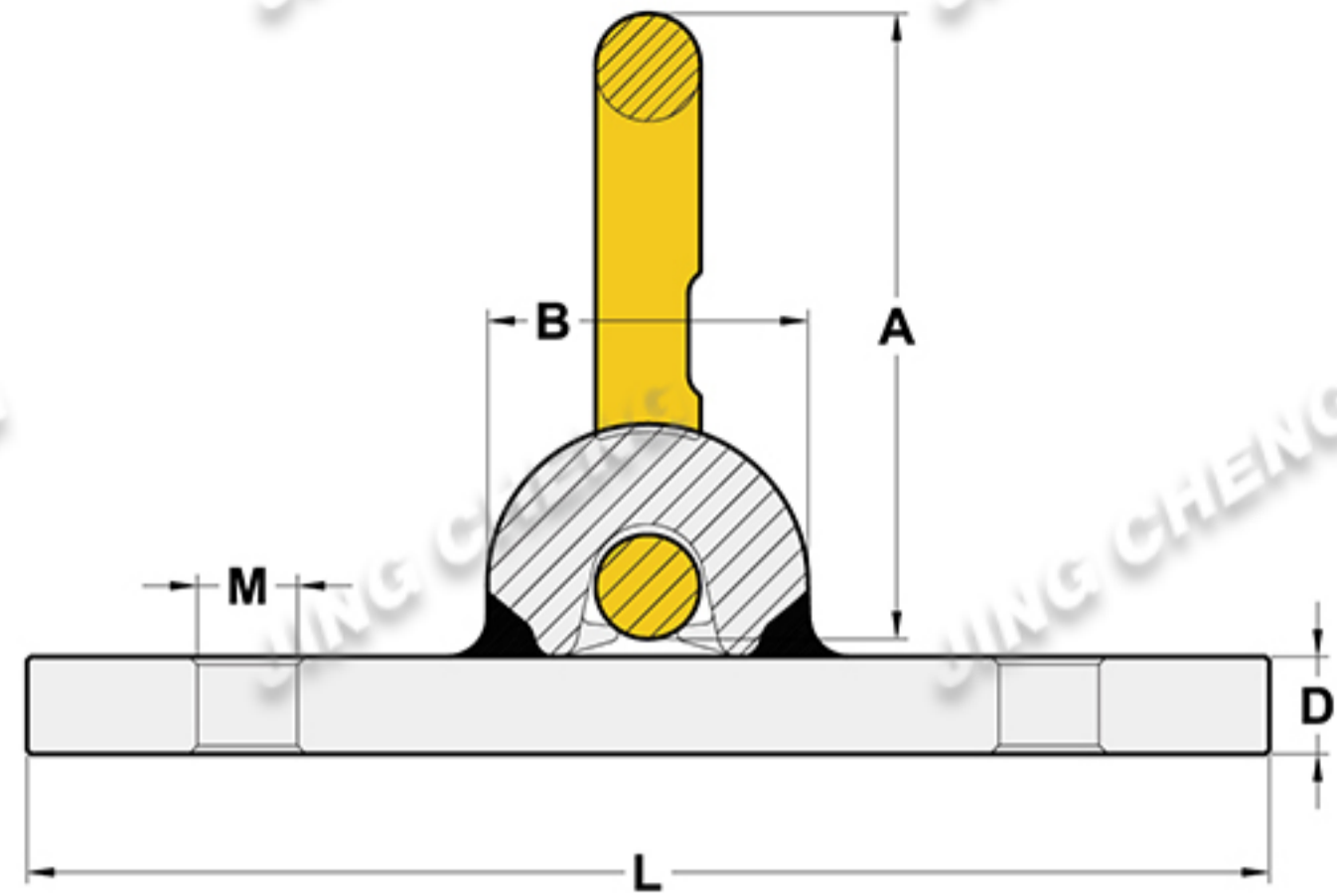
Item No.	Size	Weight Each (kg)	Working Load Limit (t)	Breaking Load Limit (t)	Dimensions (mm)		
					A ± 1.5	B ± 1.5	D ± 1
JCR199	2.5T	0.3	2.5	10	65	55	14
JCR200	4T	0.48	4	16	62	64	17
JCR201	6.5T	0.71	6.5	26	80	72	19
JCR202	8T	1.0	8.0	32	90	76	22

ALLOY D RING FOR WEB SLING



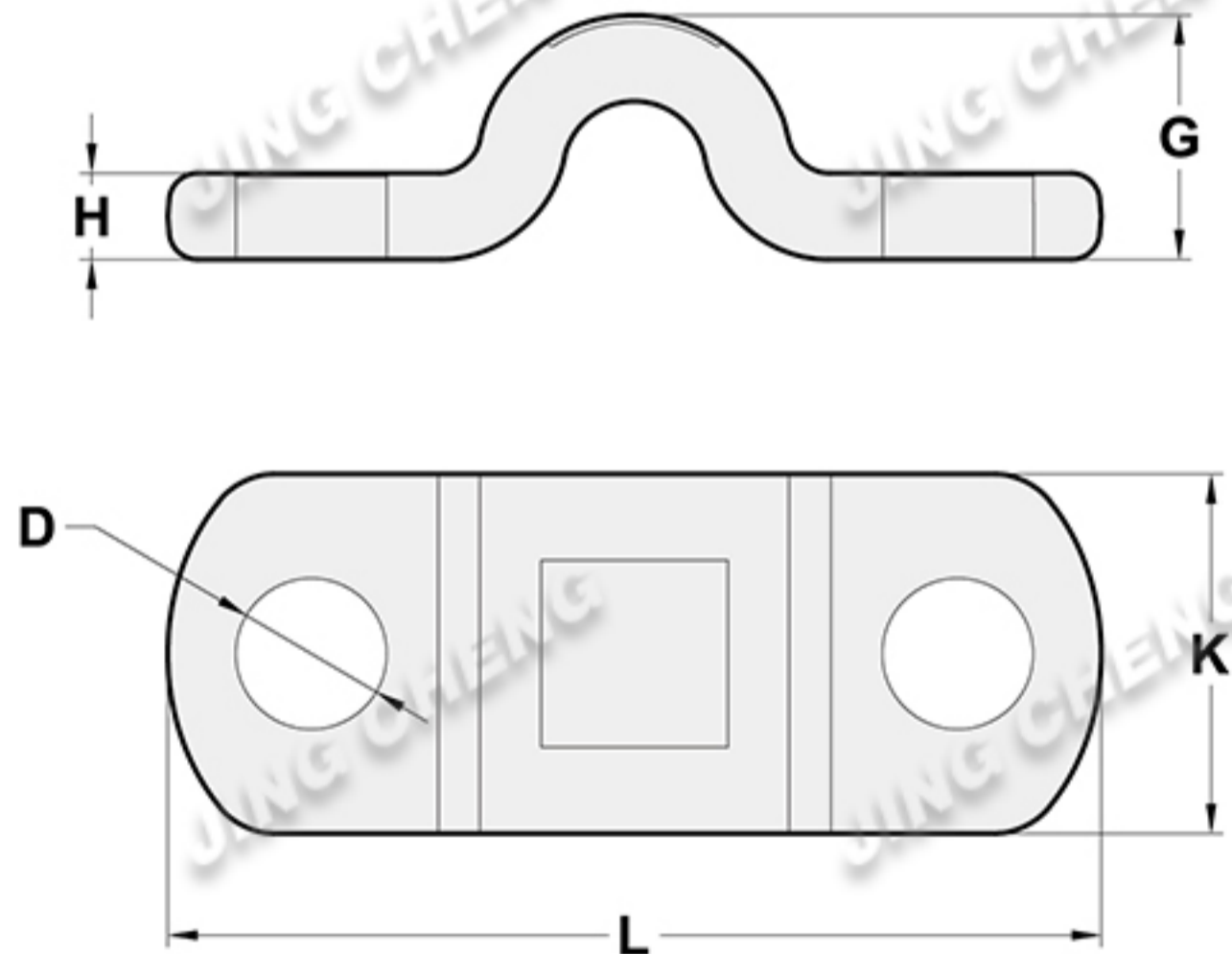
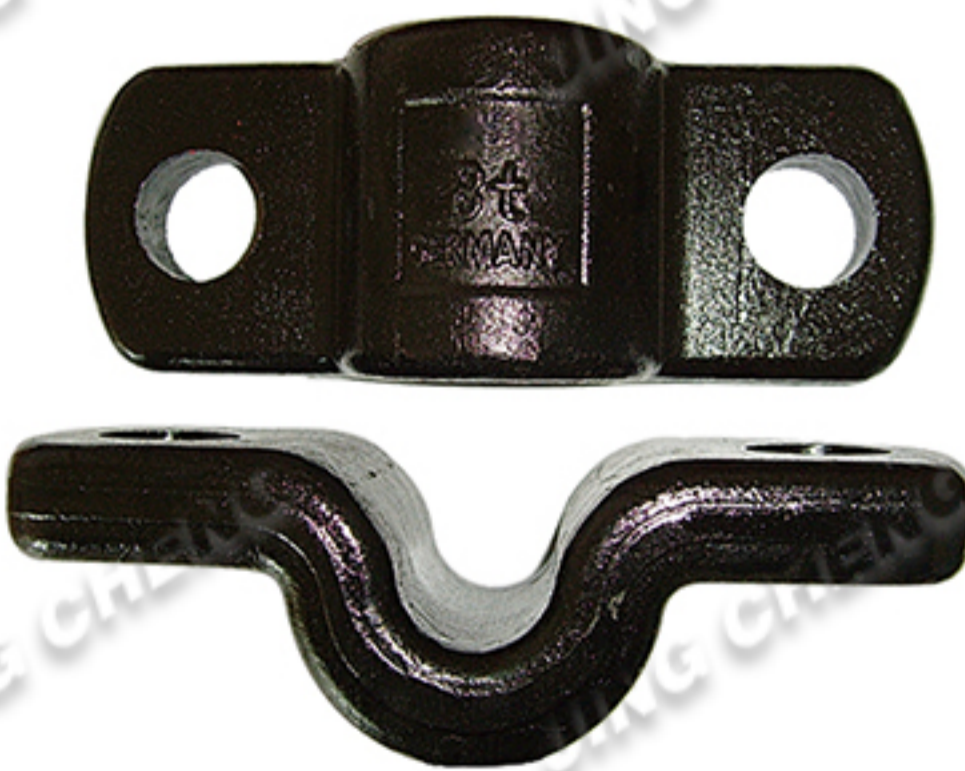
Item No.	Size	Weight Each (kg)	Working Load Limit (t)	Breaking Load Limit (t)	Dimensions (mm)		
					A ± 2	B ± 1.5	D ± 1
JCR203	1T	0.37	1	4	110	65	13
JCR204	2T	0.64	2	8	130	65	16
JCR205	3T	0.99	3	12	140	110	18
JCR206	4T	1.56	4	16	135	130	22

G80 WELD ON POVOTING D LINK WITH PAD



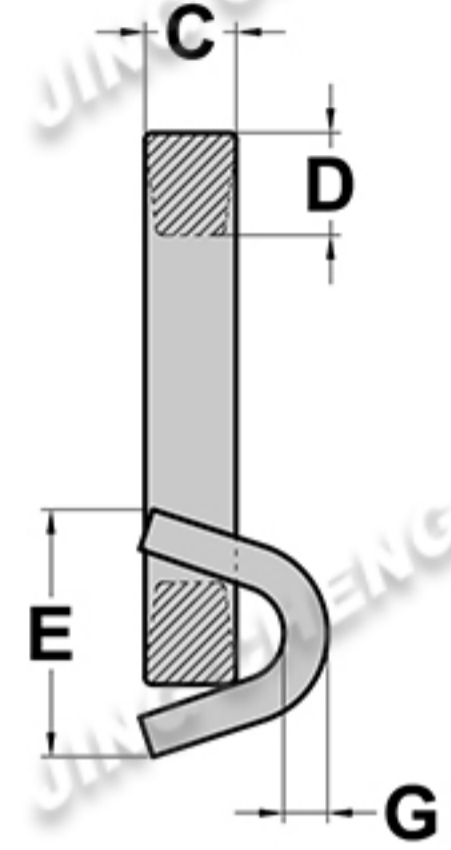
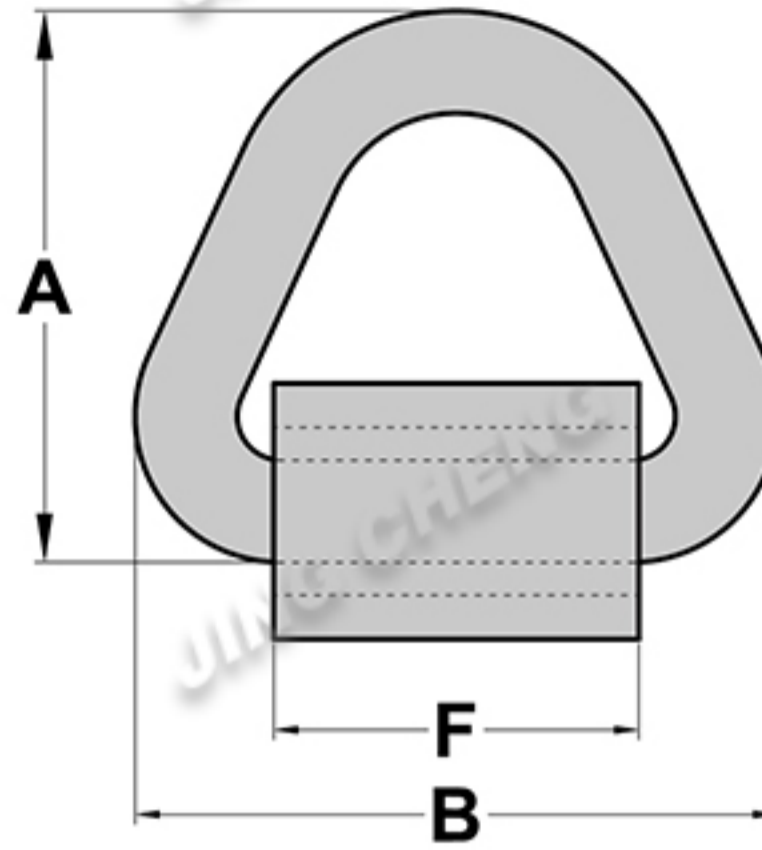
Item No.	Size	Weight Each (kg)	Working Load Limit (t)	Breaking Load Limit (t)	Dimensions (mm)				
					A ± 0.5	B	D ± 0.5	M ± 0.2	L ± 2
JCR207	1T	1.09	1	4	78	40	12	12.5	61
JCR208	2T	1.24	2	8	80.5	40	14	14.5	155
JCR209	3T	1.56	3	12	94	46.5	16	16.5	155
JCR210	5T	2.585	5	20	118	60	20	22.5	180
JCR211	8T	4.92	8	32	141	63	26	26.5	220

G80 FORGED LIFTING PAD



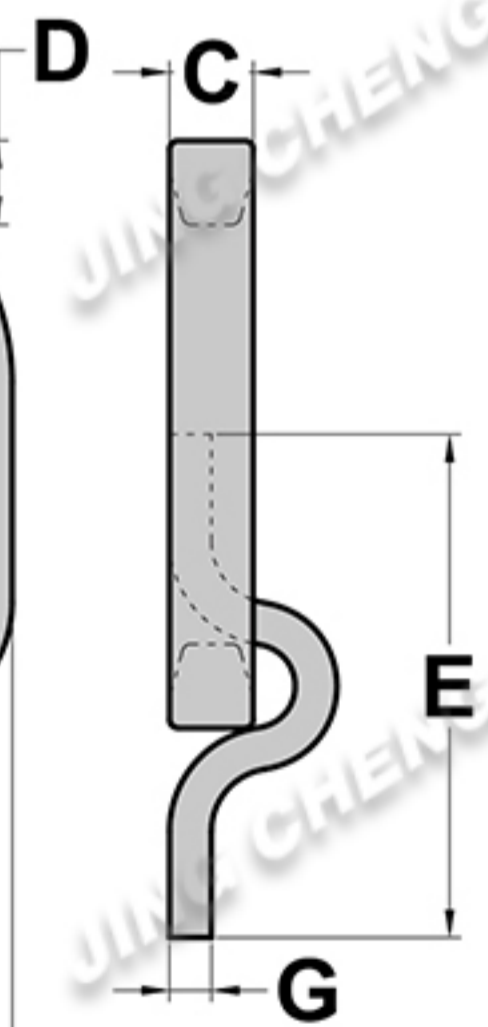
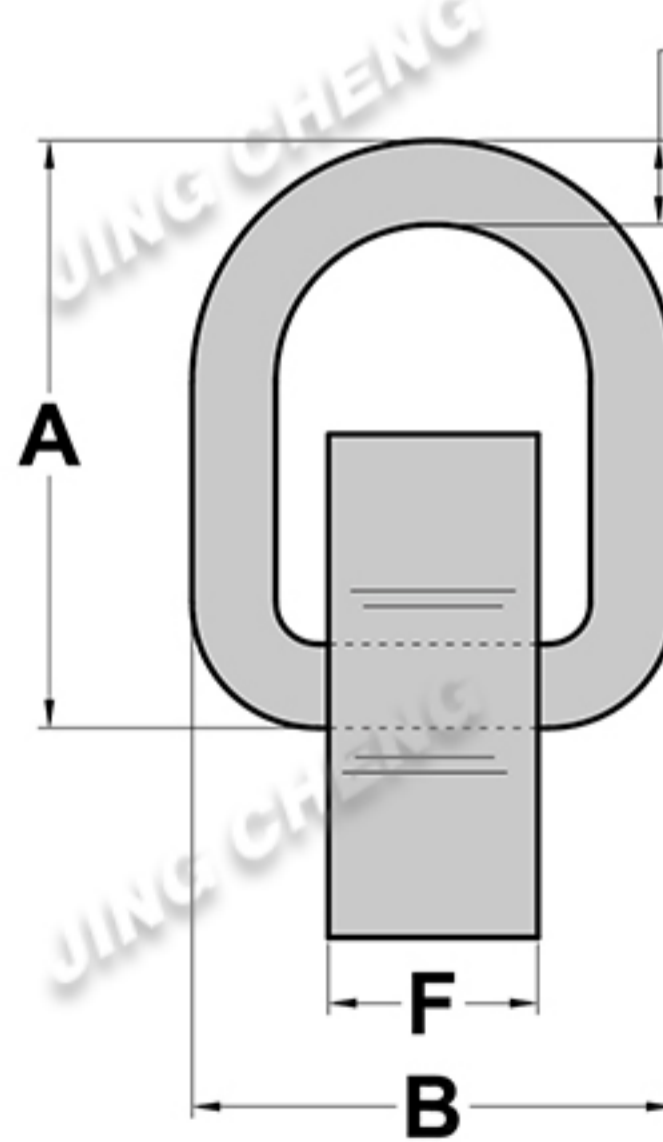
Item No.	Size	Weight Each (kg)	Working Load Limit (t)	Breaking Load Limit (t)	Dimensions (mm)				
					H ± 0.5	G ± 1	K ± 1	D ± 0.5	L ± 2
JCR212	3T	0.6	3	12	12	34	50	21	130
JCR213	5T	1.15	5	20	15	42	60	25	160
JCR214	8T	2.6	8	32	20	55	109	28	190

FERRY LASHING RING



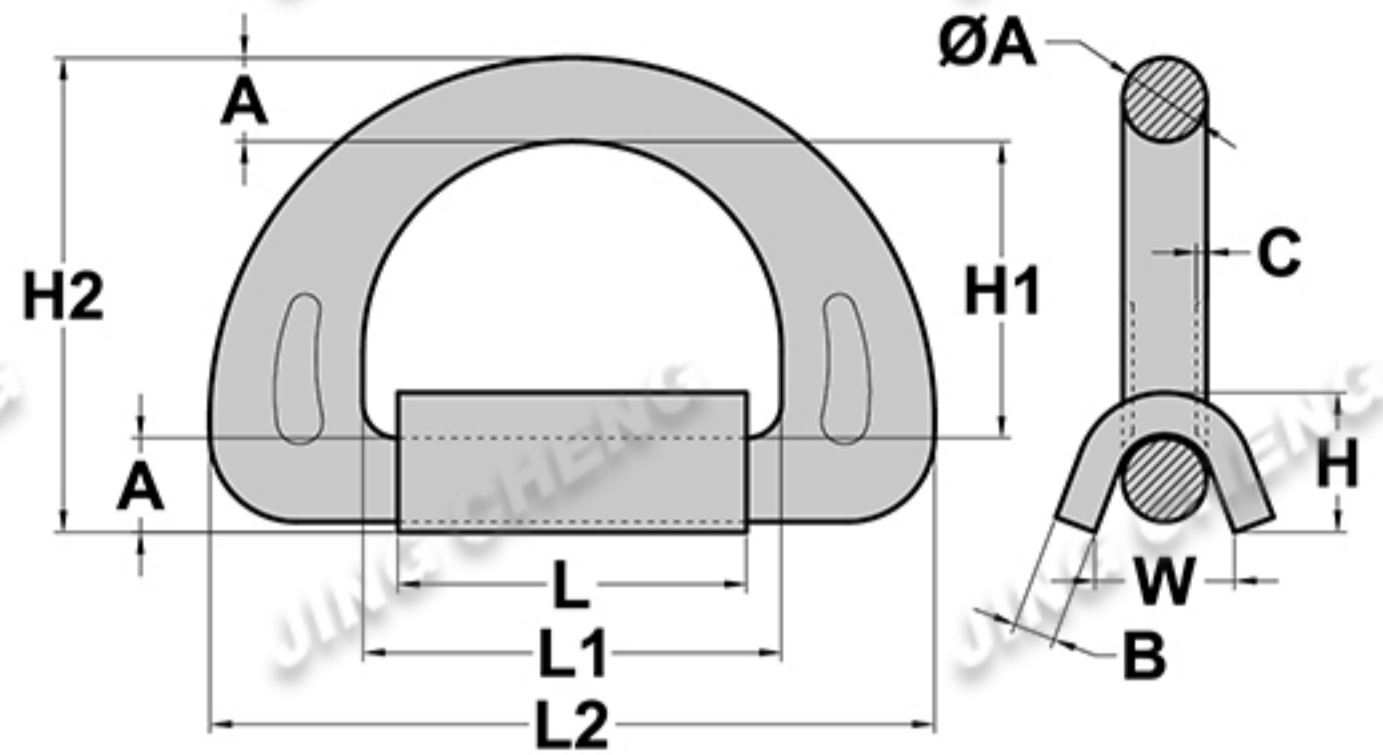
Item No.	Size	Working Load Limit (t)	Weight Each (kg)	Dimensions (mm)						
				A	B	C	D	E	F	G
JCR215	10T	10	2.95	152	176	25	28	70	100	12

HEAVY DUTY LASHING RING



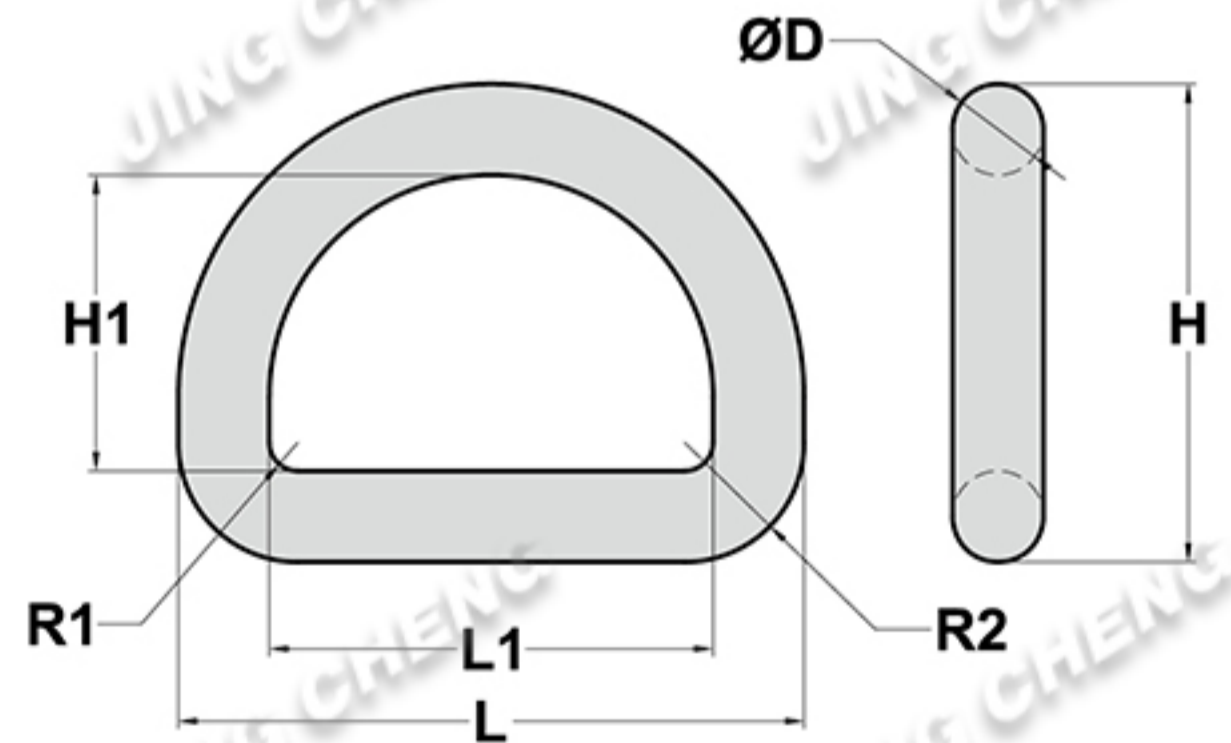
Item No.	Size	Working Load Limit (t)	Weight Each (kg)	Dimensions (mm)						
				A	B	C	D	E	F	G
JCR216	5T	5	1.5	140	115	20	20	120	50	10

FORGED D RING JIS TYPE



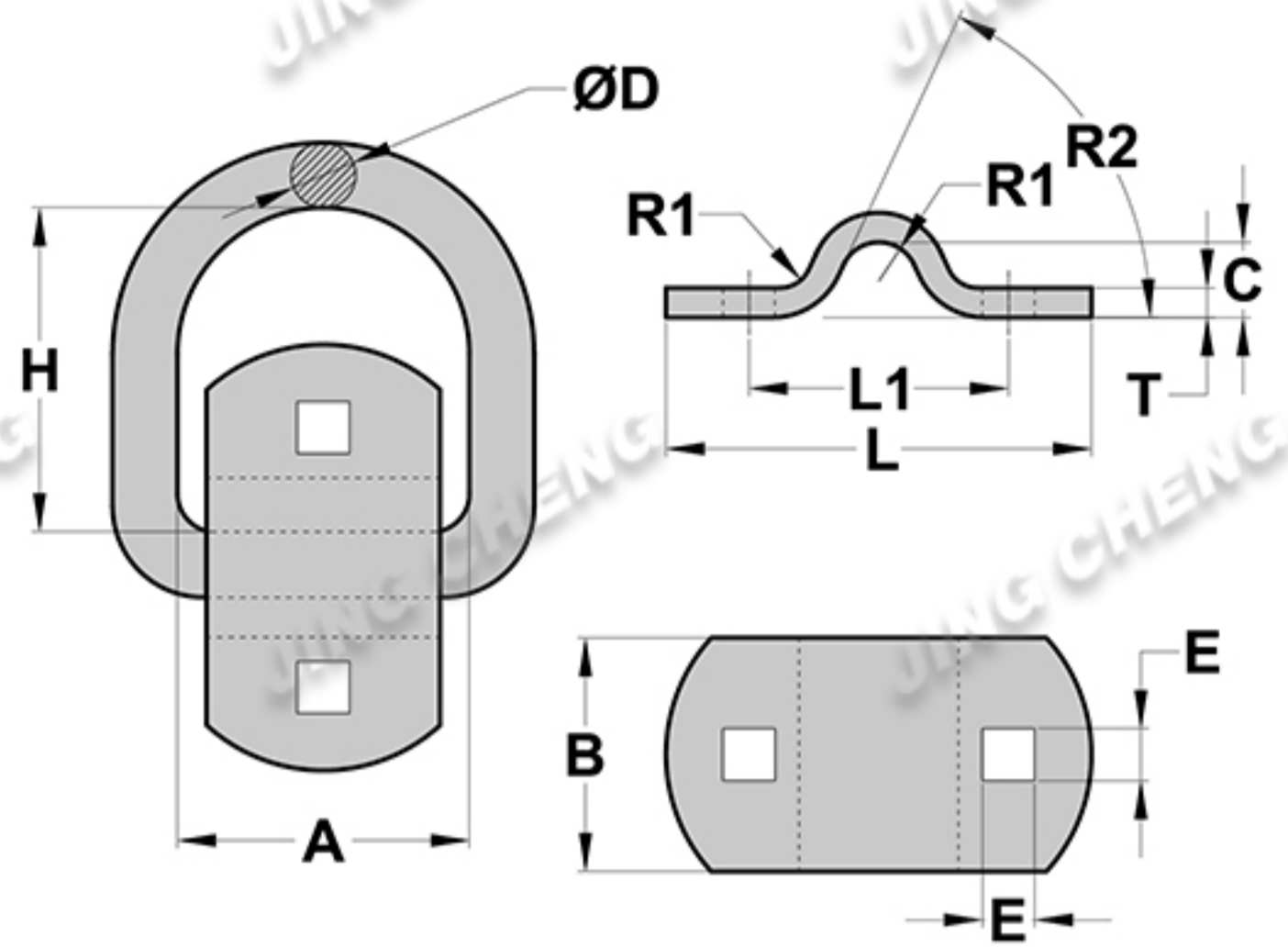
Item No.	Size	Working Load Limit (t)	Weight Each (kg)	Dimensions (mm)									
				A	C	H1	H2	L1	L2	L	B	H	W
JCR217	36T	9	1.68	21	3	80	122	136	212	110	12	28	38
JCR218	41T	10.3	2.3	24	3	85	133	120	208	110	14	34	40
JCR219	50T	12.5	3.03	27	3	90	144	151	241	130	14	34	40

JIS TYPE FORGED D RING



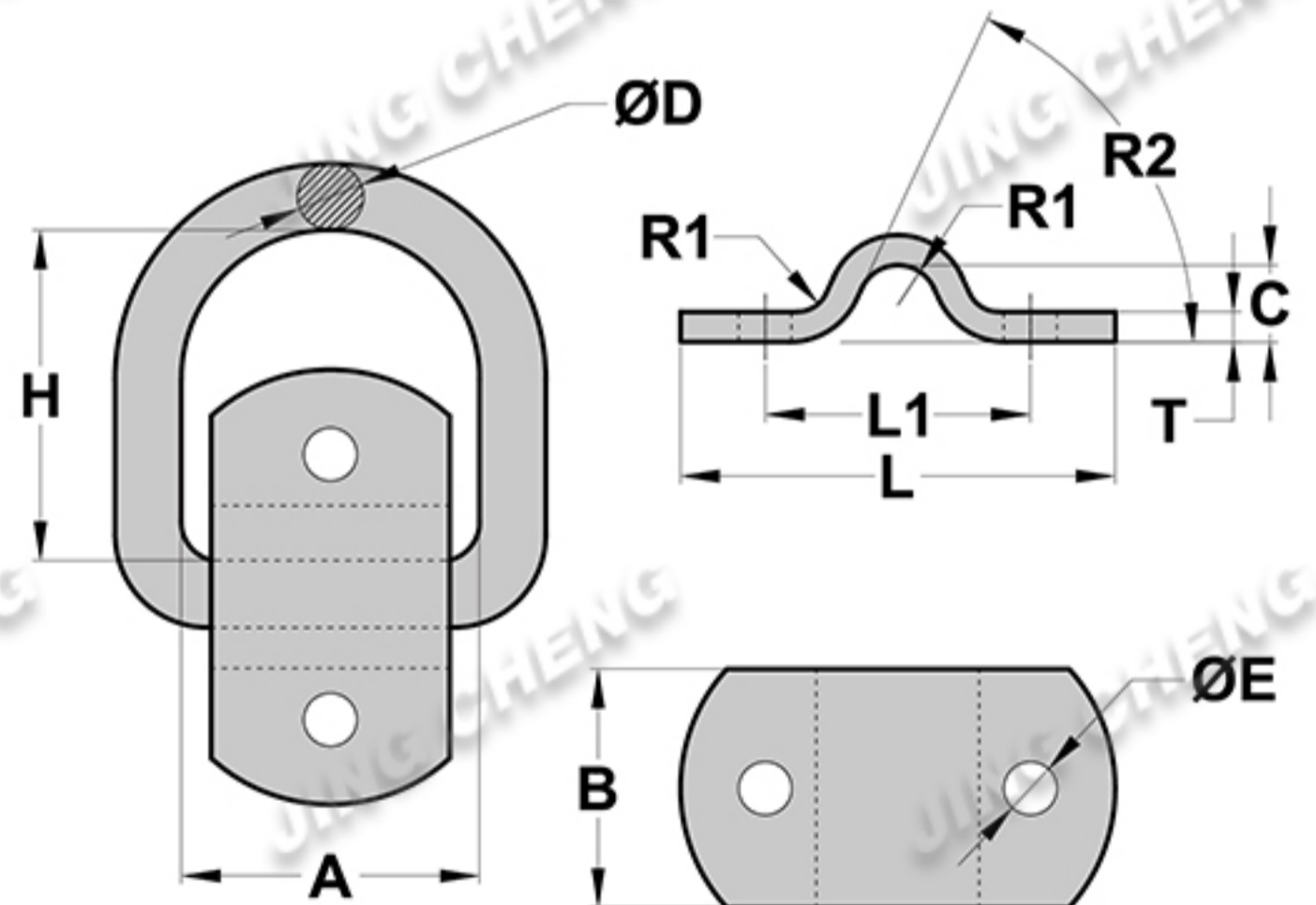
Item No.	Size (mm)	Weight Each (kg)	Dimensions (mm)						
			D	H	H1	L	L1	R1	R2
JCR220	13	0.34	13	84	58	110	84	5	18
JCR221	16	0.46	16	84	52	110	78	5	21
JCR222	19	0.63	19	90	52	115	77	6	25

D RING WITH STRAP (RECTANGULAR HOLES), TYPE A



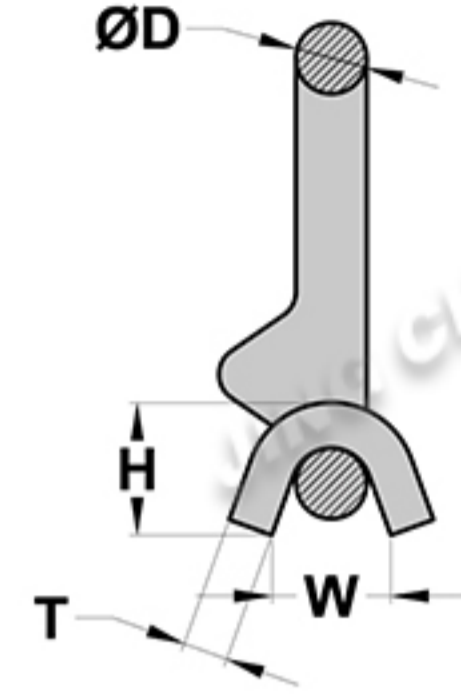
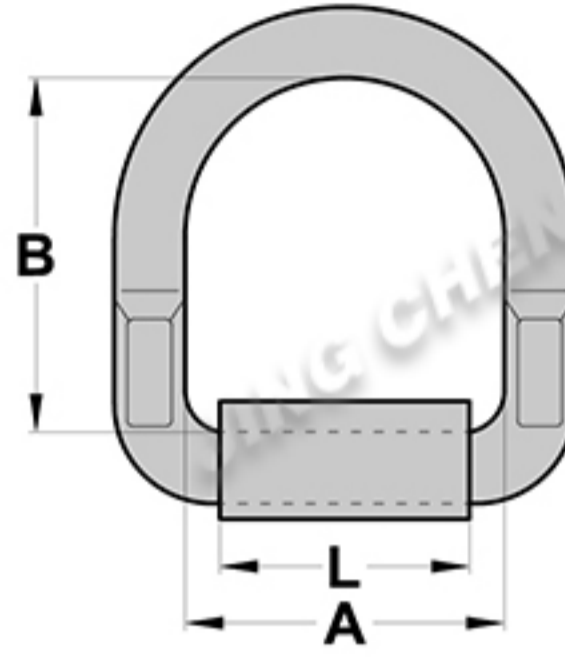
Item No.	Size (in.)	Minimum Breaking Strength (lbs.)	Weight Each (lbs.)	Dimensions (mm)										
				A	B	C	D	E	H	L	L1	R1	R2	T
JCR223	1/2	12000	1.1	57.1	45	12	13	10	63.5	72.5	45	6°	65°	4.5

D RING WITH STRAP (ROUND HOLES), TYPE A



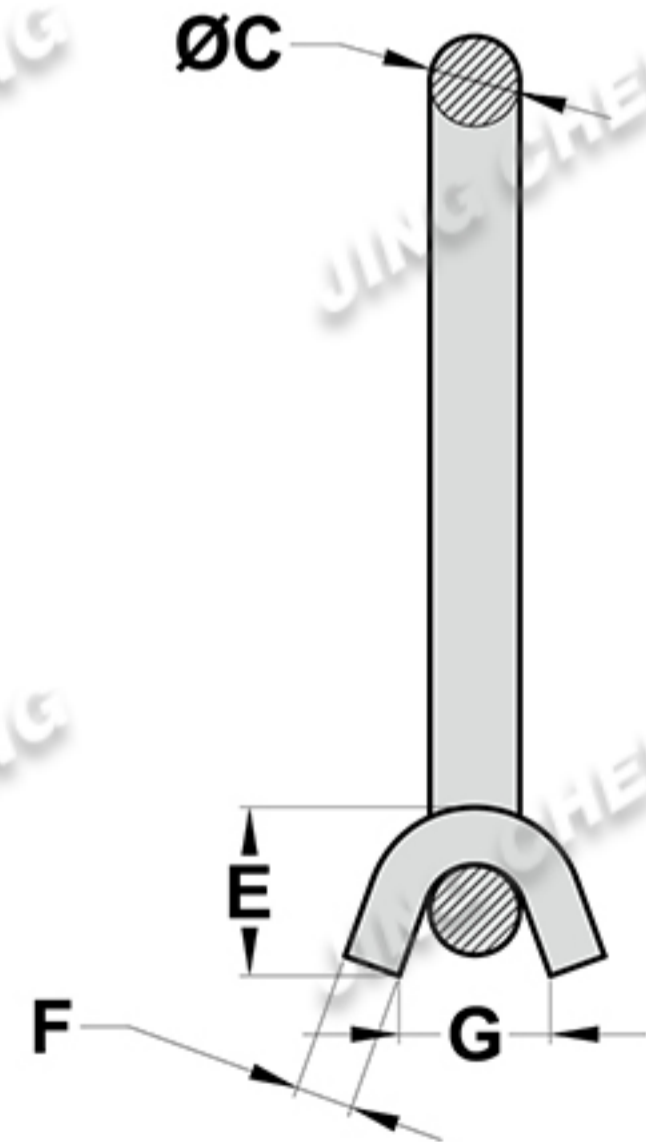
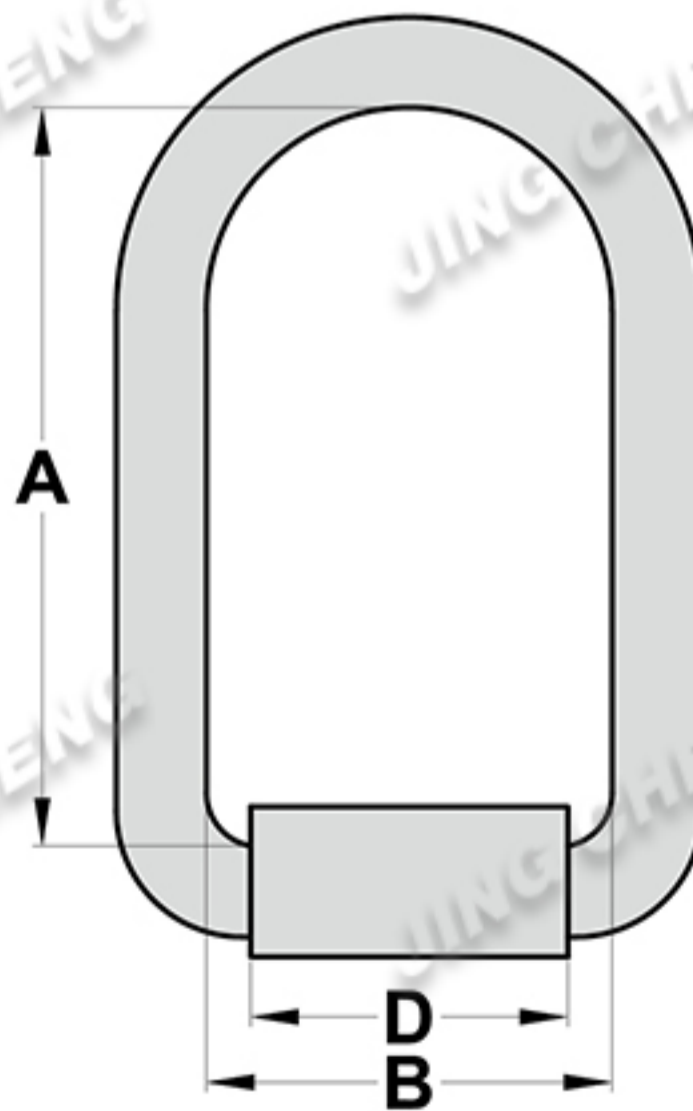
Item No.	Size (in.)	Minimum Breaking Strength (lbs.)	Weight Each (lbs.)	Dimensions (mm)										
				A	B	C	D	E	H	L	L1	R1	R2	T
JCR224	1/2	12000	1.1	57.1	45	12	13	10	63.5	72.5	45	6°	65°	4.5

D RING WITH SUPPORTING POINT



Item No.	Size	Minimum Breaking Strngth (t)	Weight Each (kg)	Dimensions (mm)						
				A	B	D	L	H	W	T
JCR225	15T	30T	1.8	90	92	20	80	38.5	40	10

D RING WITH STRAP, TYPE A (1/2" WLL11000LBS)



Item No.	Size	Minimum Breaking Strngth (t)	Weight Each (lbs.)	Dimensions (mm)						
				A	B	C	D	E	F	G
JCR226	1/2	11000	0.53	115	65	13	45	25	8	33